



US00D721521S

(12) **United States Design Patent**
Lehmann

(10) **Patent No.:** **US D721,521 S**
(45) **Date of Patent:** **** Jan. 27, 2015**

(54) **SIDE UNIT OF BUSINESS STATION**

(56) **References Cited**

(71) Applicant: **Pathway IP SARL**, Luxembourg (LU)

U.S. PATENT DOCUMENTS

(72) Inventor: **Andreas Lehmann**, Uitikon Waldegg
(CH)

D141,016 S *	4/1945	Stanitz	D6/662.1
D141,097 S *	5/1945	Pinanski	D6/668.1
D142,049 S *	8/1945	Waddell	D6/660
D264,658 S *	6/1982	de Polo et al.	D6/657
D290,665 S *	7/1987	Snodgrass	D6/671.1
D325,832 S *	5/1992	Allen	D6/661
D331,847 S *	12/1992	Allen	D6/661
D366,648 S *	1/1996	Hill et al.	D14/308
D477,615 S *	7/2003	Resch	D6/661

(73) Assignee: **Pathway IP SARL**, Luxembourg (LU)

(**) Term: **14 Years**

* cited by examiner

(21) Appl. No.: **29/480,101**

Primary Examiner — Mimosa De

(22) Filed: **Jan. 23, 2014**

(74) *Attorney, Agent, or Firm* — Wood, Herron & Evans, LLP

(30) **Foreign Application Priority Data**

(57) **CLAIM**

Aug. 30, 2013 (WO) WIPO32860

The ornamental design for a side unit of business station, as shown and described.

(51) **LOC (10) Cl.** **06-04**

DESCRIPTION

(52) **U.S. Cl.**

USPC **D6/661**

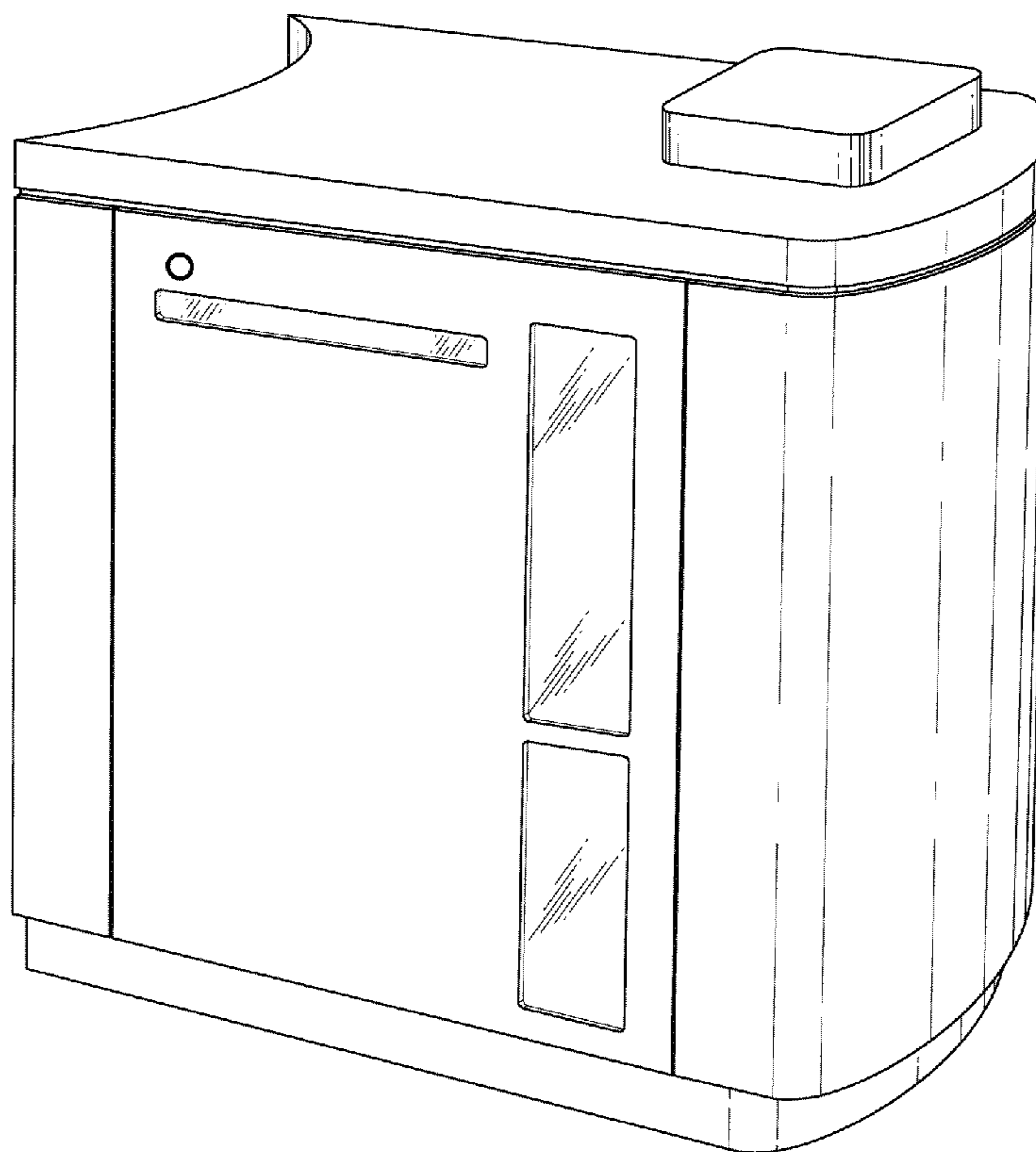
(58) **Field of Classification Search**

USPC D6/657, 660, 661, 662, 662.1, 663, 664,
D6/668, 668.1, 671, 671.1; 312/107, 114,
312/138.1, 204, 224, 237, 257.1; D14/308

FIG. 1 is a perspective view of a side unit of business station of the present invention;
FIG. 2 is a front view of FIG. 1 of the present invention;
FIG. 3 is a rear view of FIG. 1 of the present invention;
FIG. 4 is a left side view of FIG. 1 of the present invention;
FIG. 5 is a right side view of FIG. 1 of the present invention;
FIG. 6 is a top view of FIG. 1 of the present invention; and,
FIG. 7 is a bottom view of FIG. 1 of the present invention.

See application file for complete search history.

1 Claim, 4 Drawing Sheets



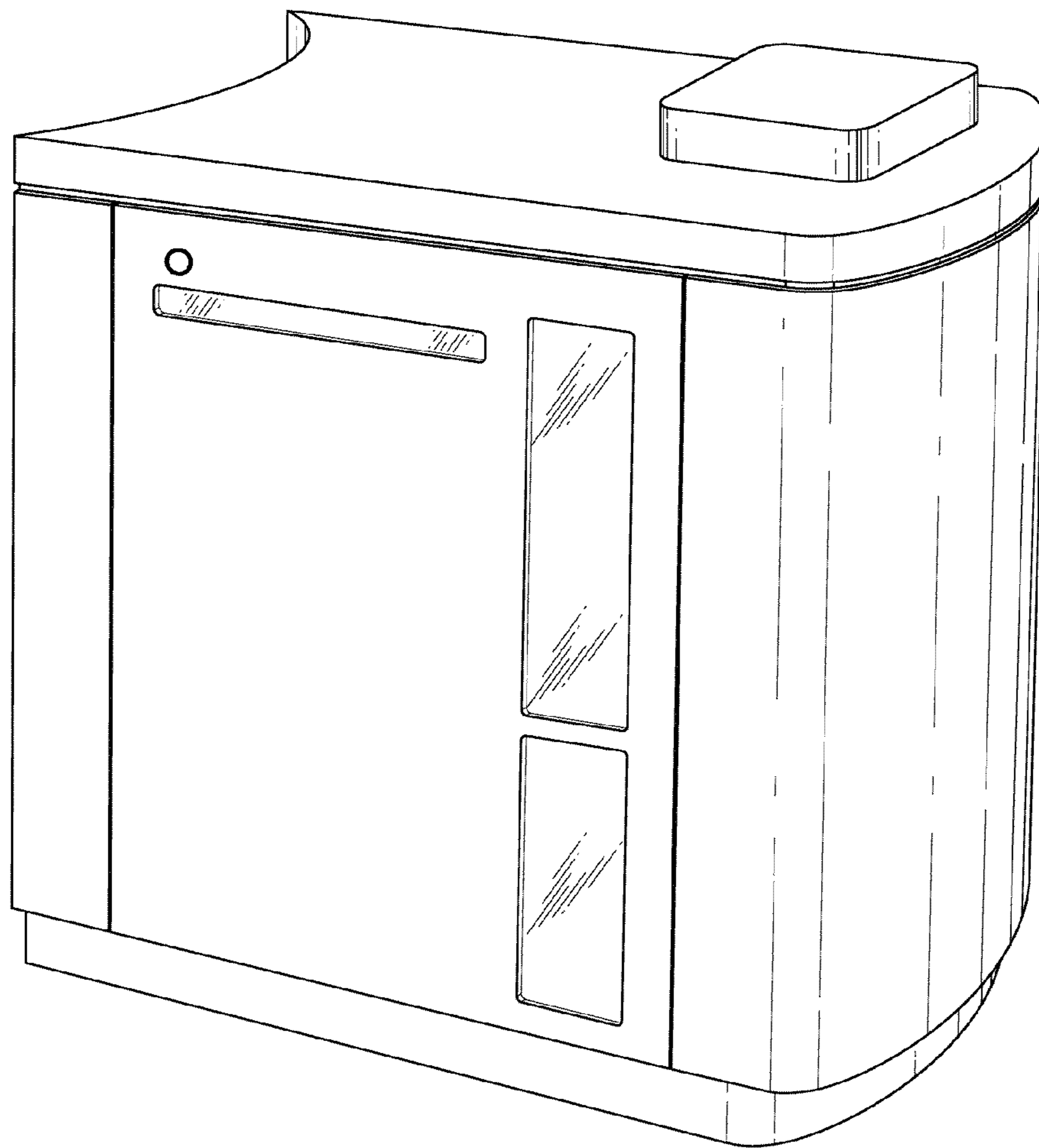


FIG. 1

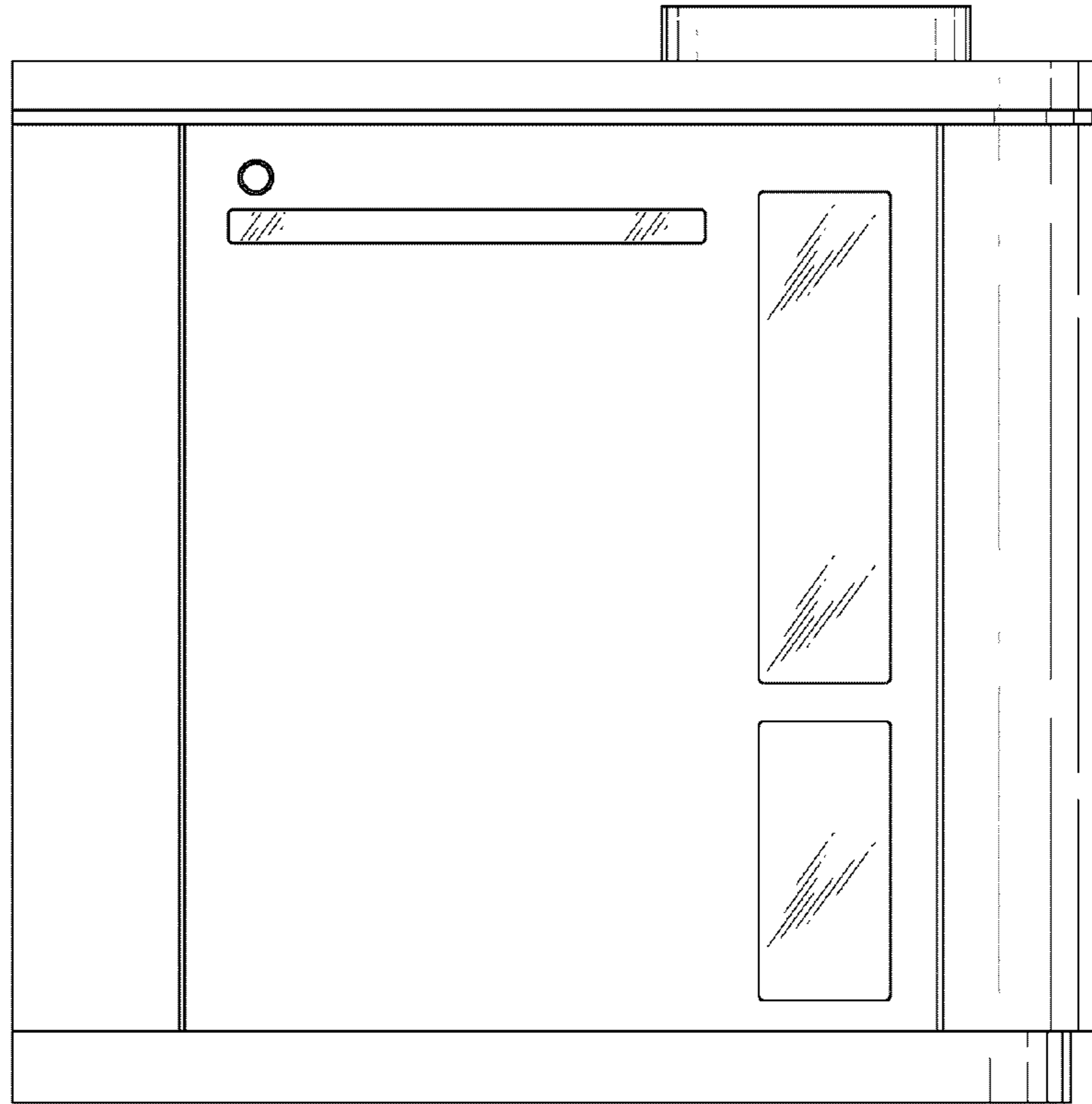


FIG. 2

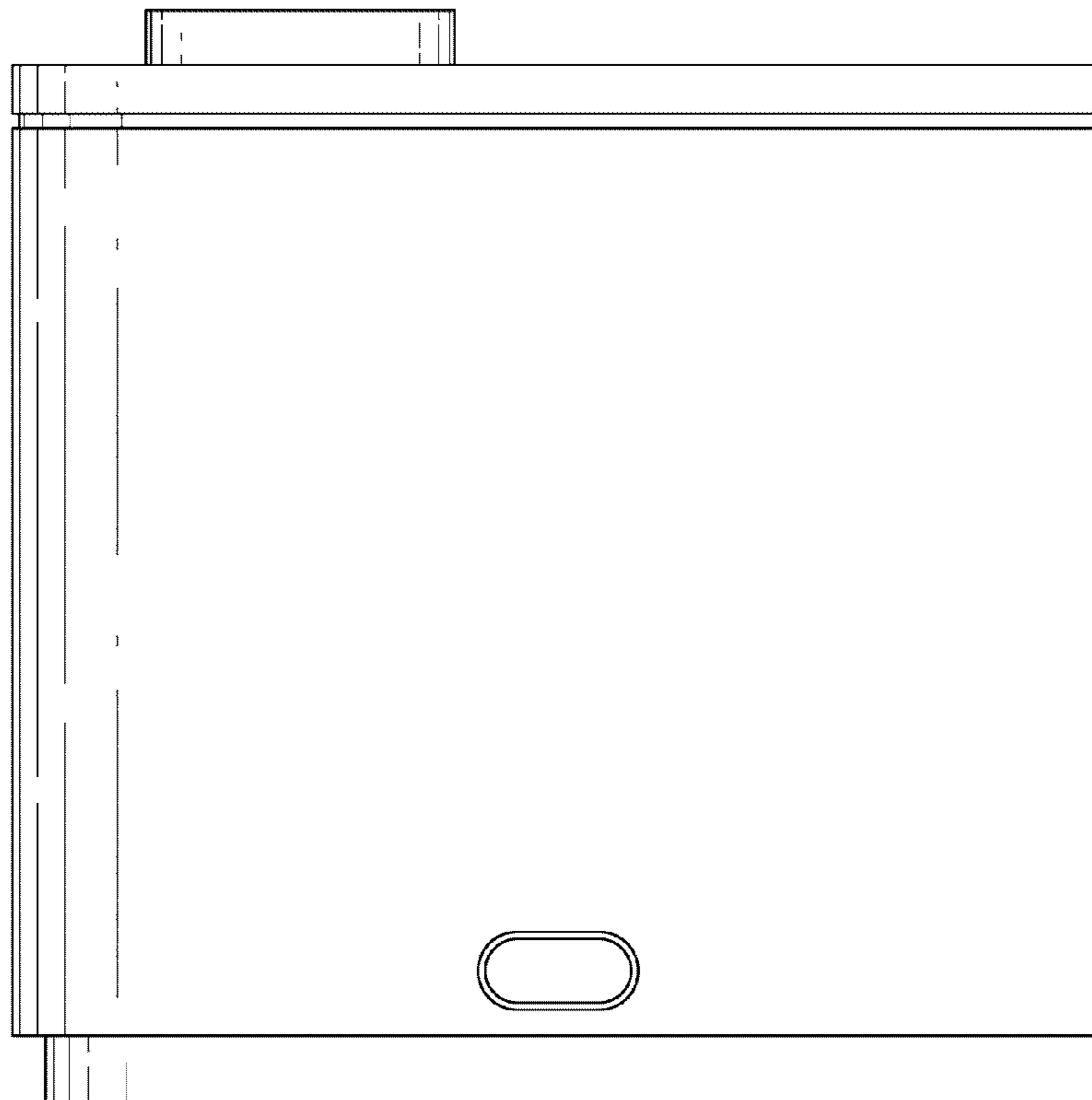


FIG. 3

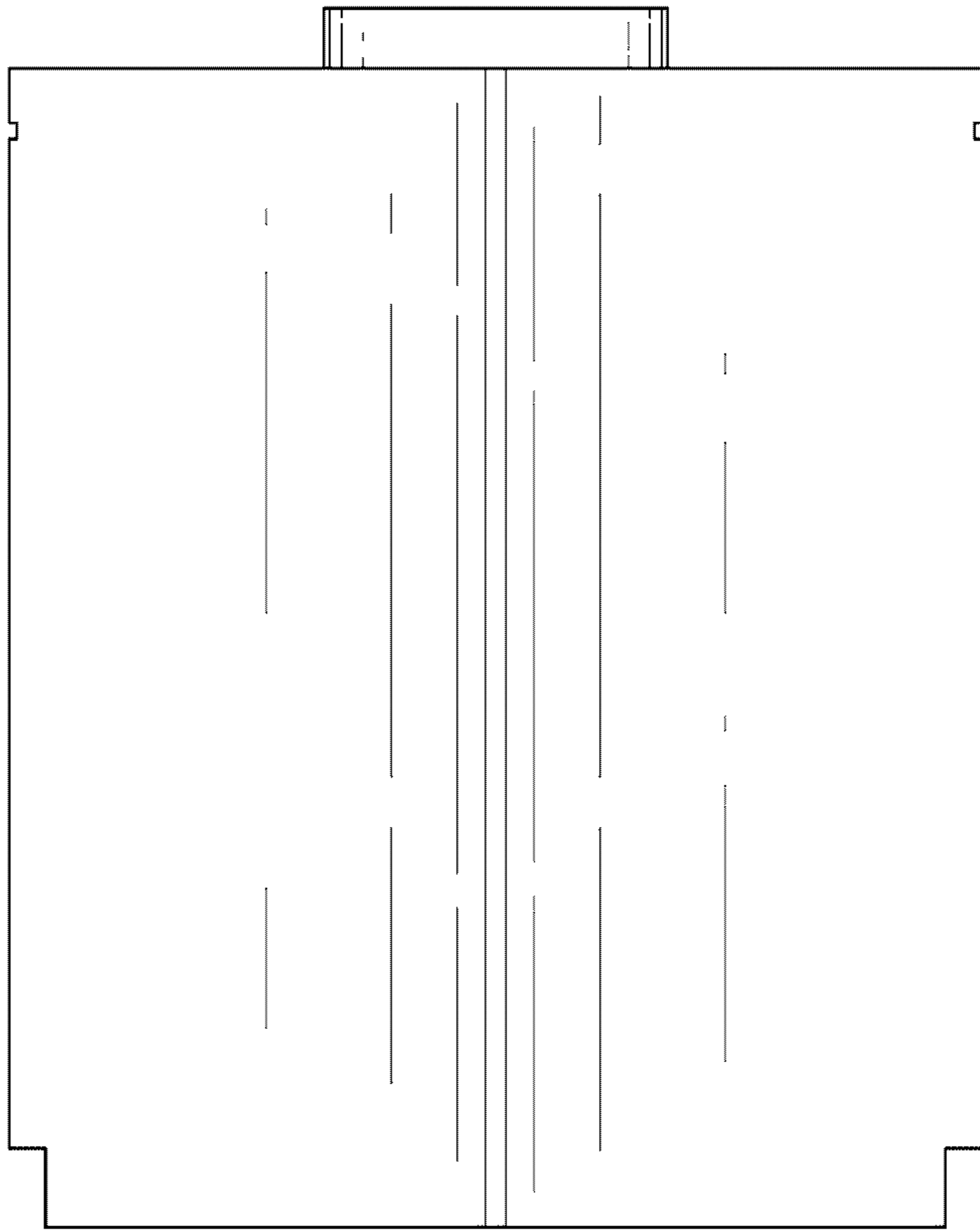


FIG. 4

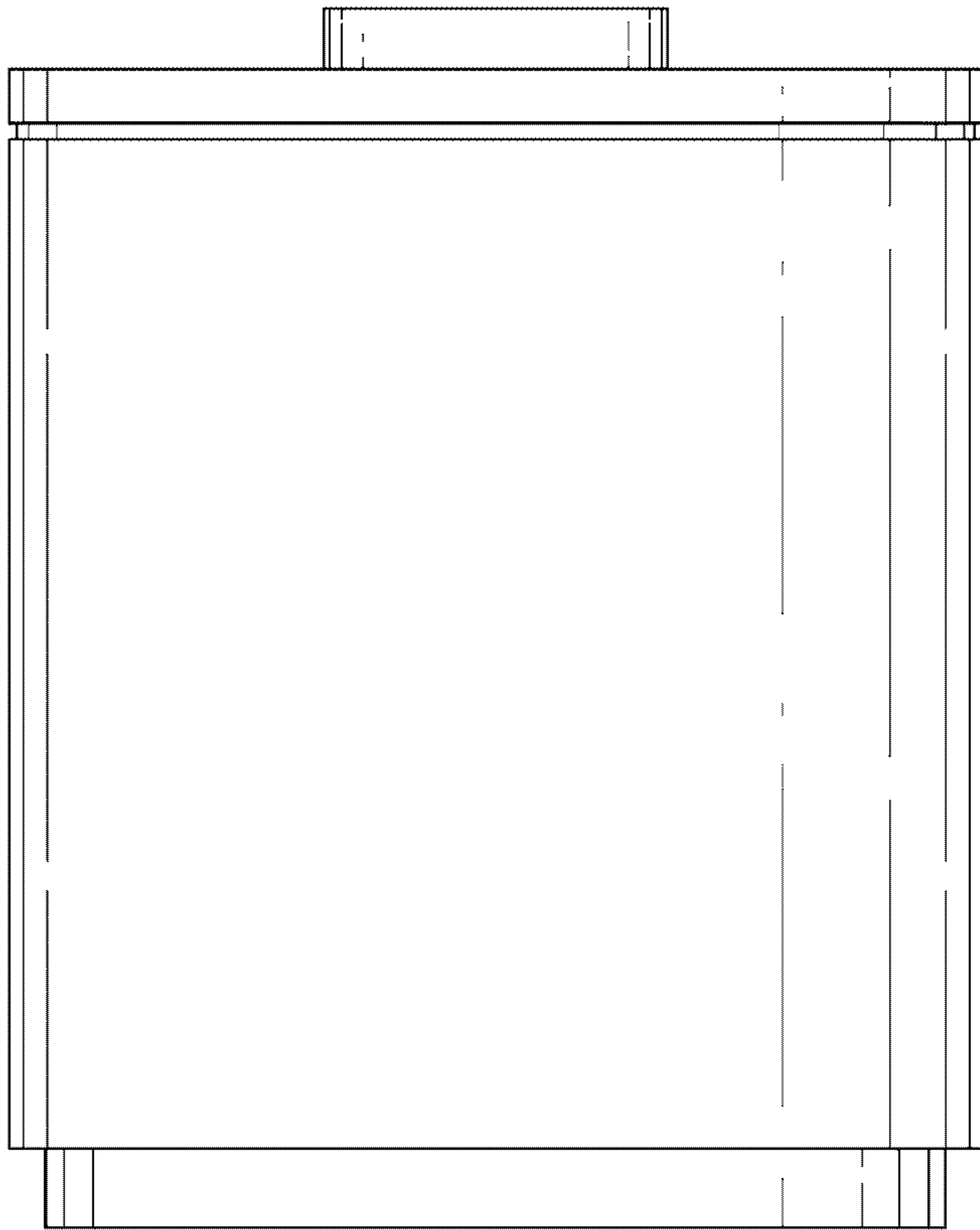


FIG. 5

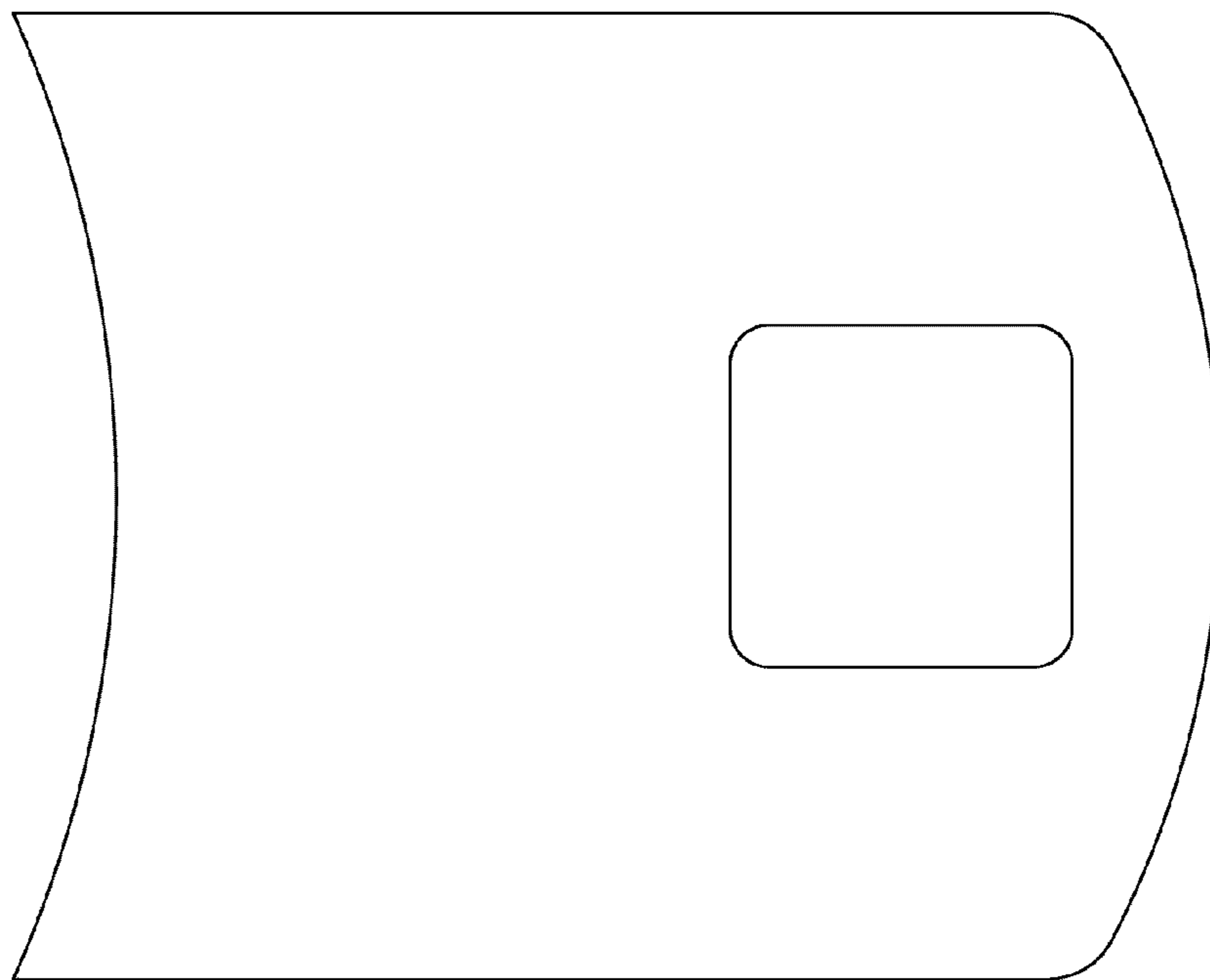


FIG. 6

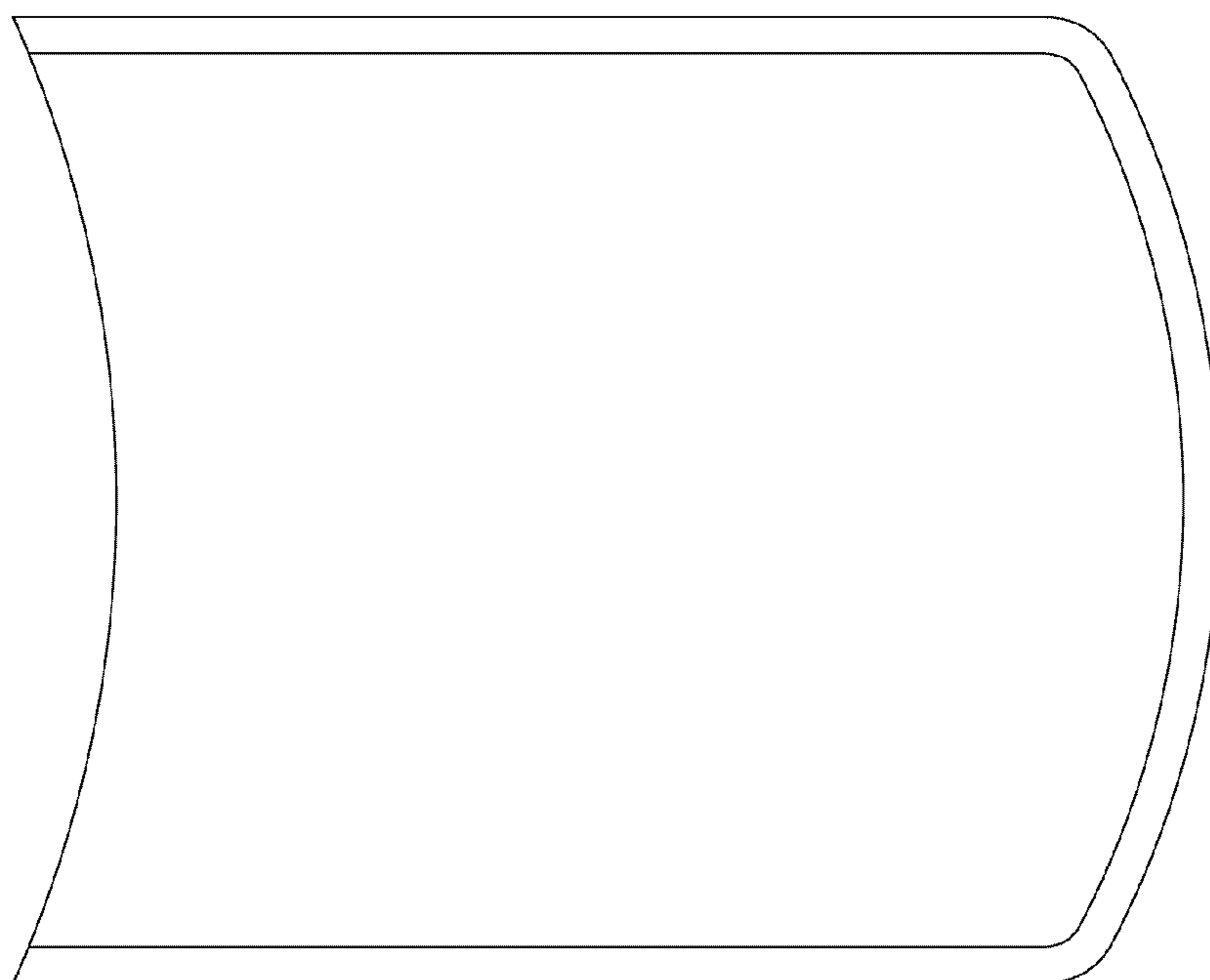


FIG. 7