



US00D721518S

(12) **United States Design Patent**
Cohen

(10) **Patent No.:** **US D721,518 S**
(45) **Date of Patent:** **** Jan. 27, 2015**

(54) **DUMBBELL SUPPORT CRADLE**

(56) **References Cited**

(71) Applicant: **Virturide LLC**, Sunny Isles Beach, FL
(US)

U.S. PATENT DOCUMENTS

D555,961 S	*	11/2007	Lien et al.	D6/552
D565,132 S	*	3/2008	Lien et al.	D6/552
D577,234 S	*	9/2008	Webber et al.	D6/552
D603,637 S	*	11/2009	Anderson et al.	D6/552
D677,504 S	*	3/2013	Childs	D6/552

(72) Inventor: **Omer Cohen**, Sunny Isles Beach, FL
(US)

* cited by examiner

(73) Assignee: **Virturide LLC**, Sunny Isles Beach, FL
(US)

Primary Examiner — Brian N Vinson

(74) *Attorney, Agent, or Firm* — Laurence A. Greenberg;
Werner H. Stemer; Ralph E. Locher

(**) Term: **14 Years**

(57) **CLAIM**

The ornamental design for a dumbbell support cradle, as shown and described.

(21) Appl. No.: **29/502,814**

DESCRIPTION

(22) Filed: **Sep. 19, 2014**

FIG. 1 is a rear perspective view of the dumbbell support cradle showing my new design;
FIG. 2 is a side elevation view thereof;
FIG. 3 is a rear elevation view thereof;
FIG. 4 is a front elevation view thereof
FIG. 5 is a top plan view thereof; and,
FIG. 6 is a bottom plan view thereof.

(51) **LOC (10) Cl.** **08-08**

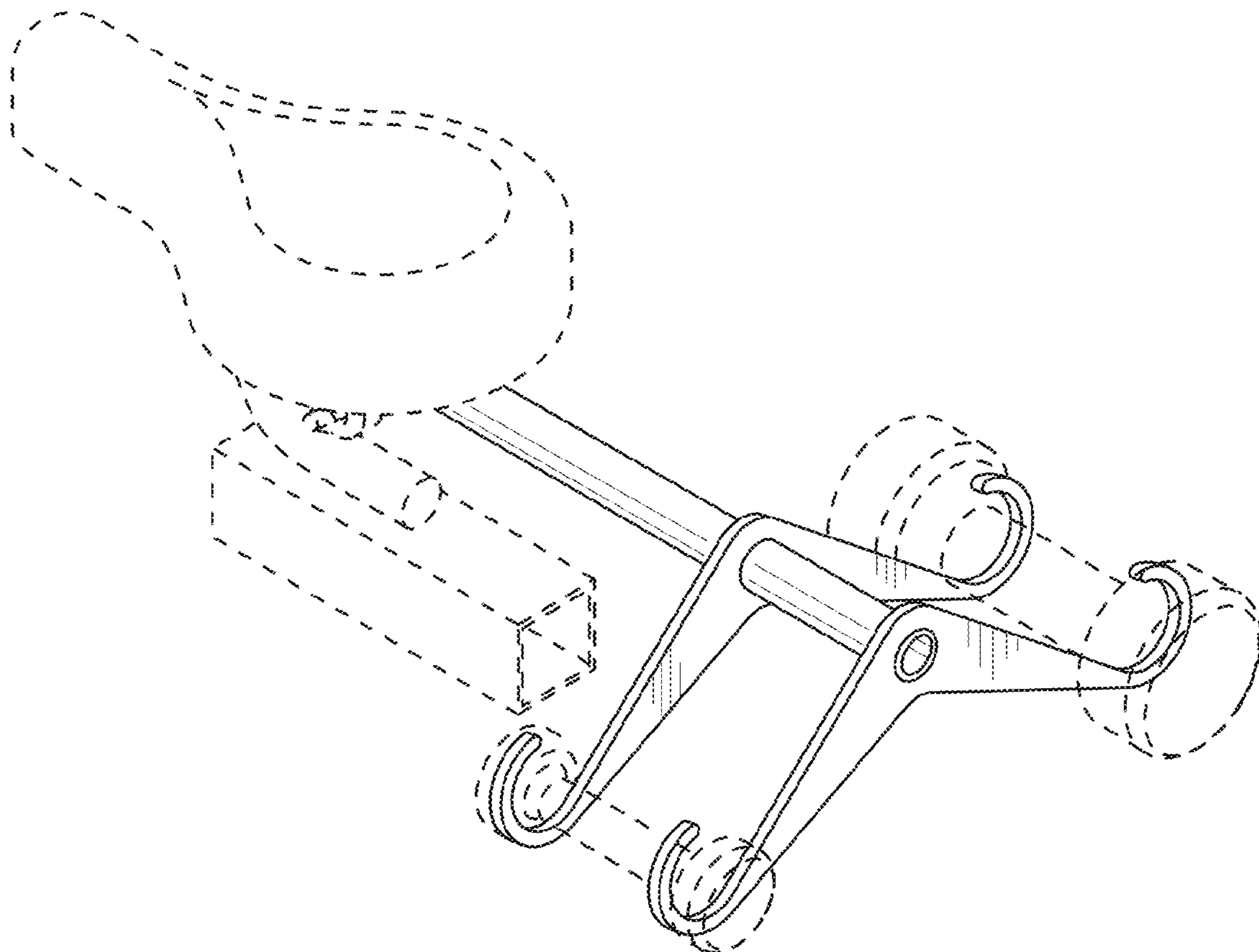
(52) **U.S. Cl.**
USPC **D6/552**

The broken lines depict environmental structure and do not form a part of the claim.

(58) **Field of Classification Search**
USPC D6/552; D21/662, 686, 691; 482/104,
482/148; 248/339; 211/13.2, 85

See application file for complete search history.

1 Claim, 4 Drawing Sheets



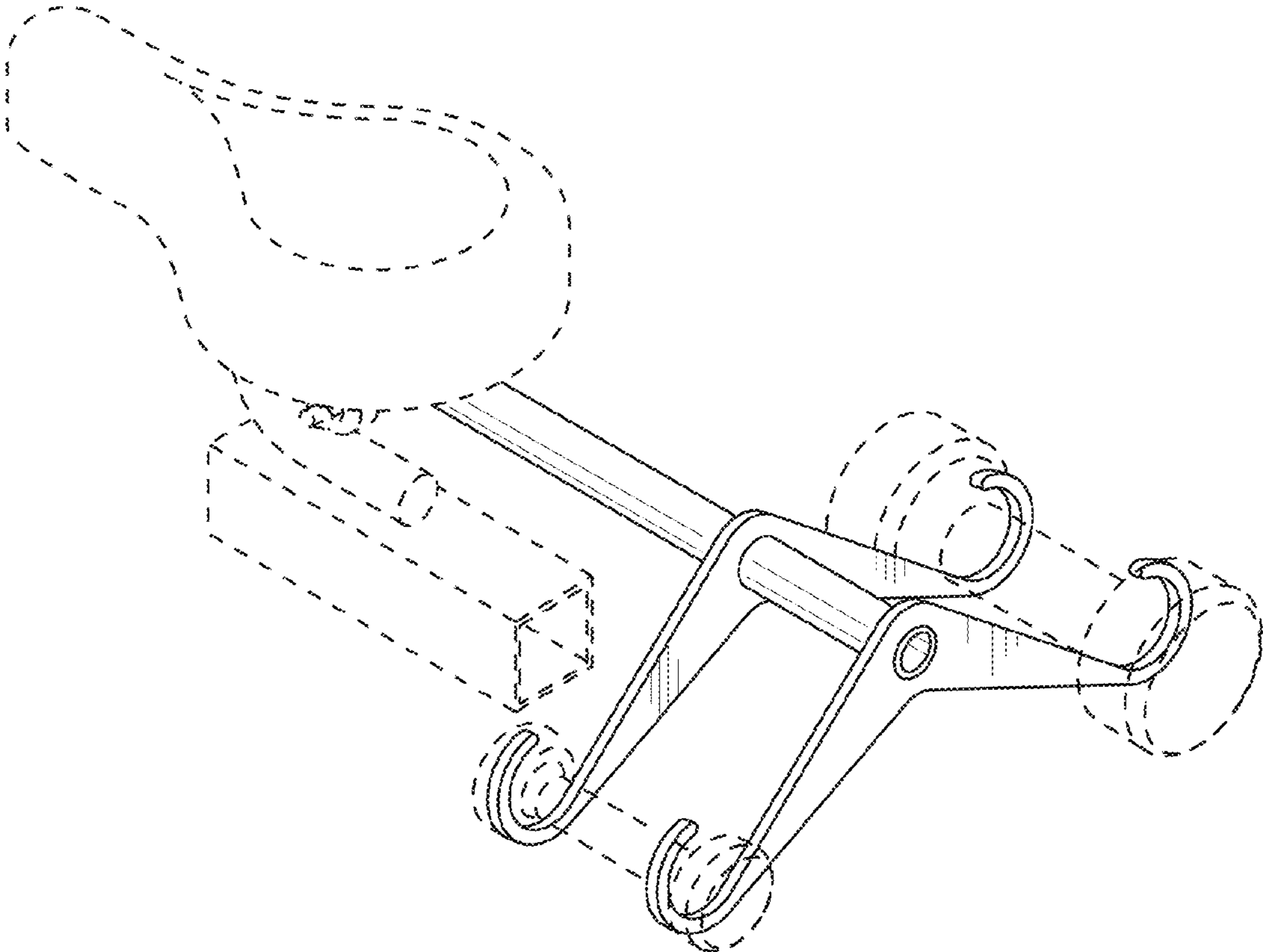


FIG. 1

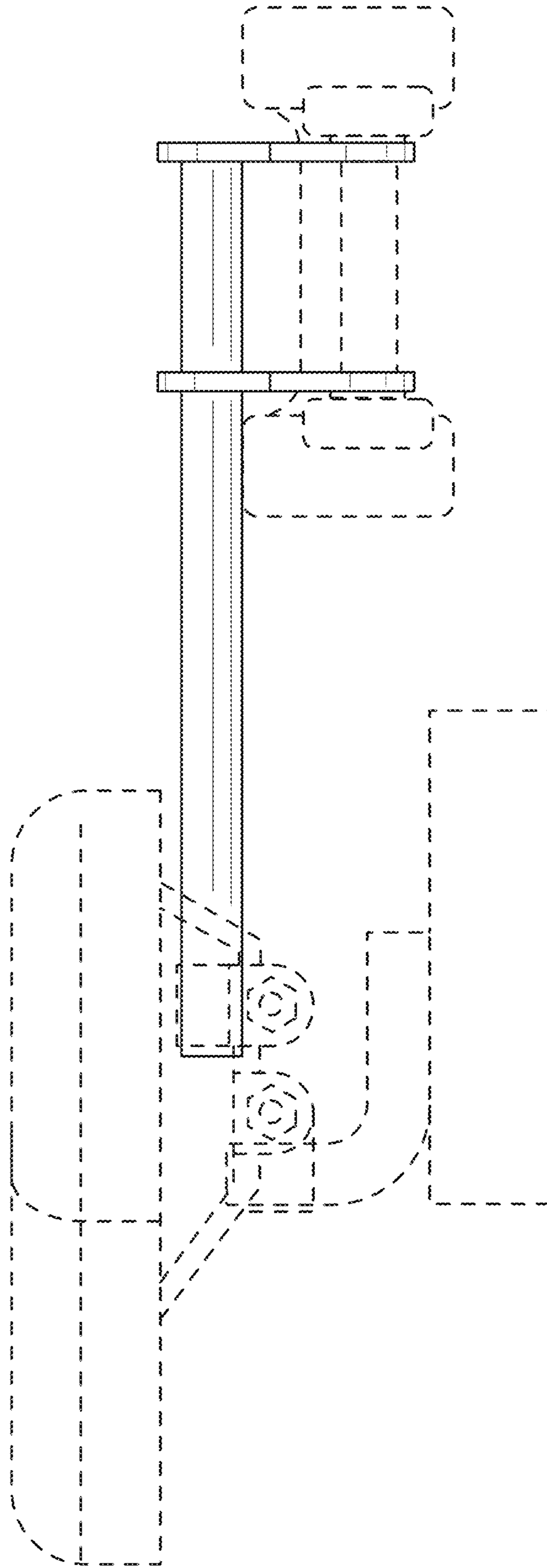


FIG. 2

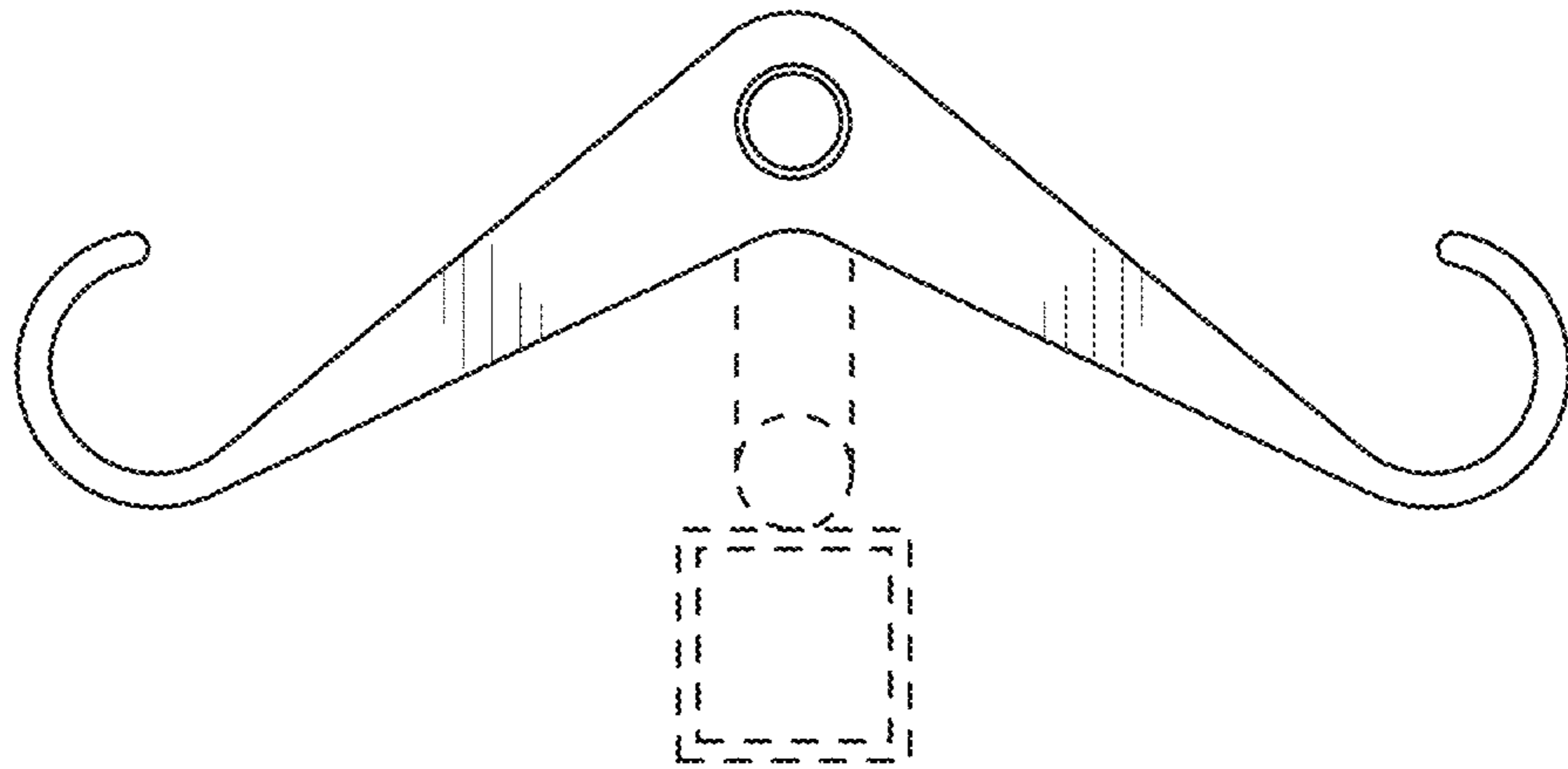


FIG. 3

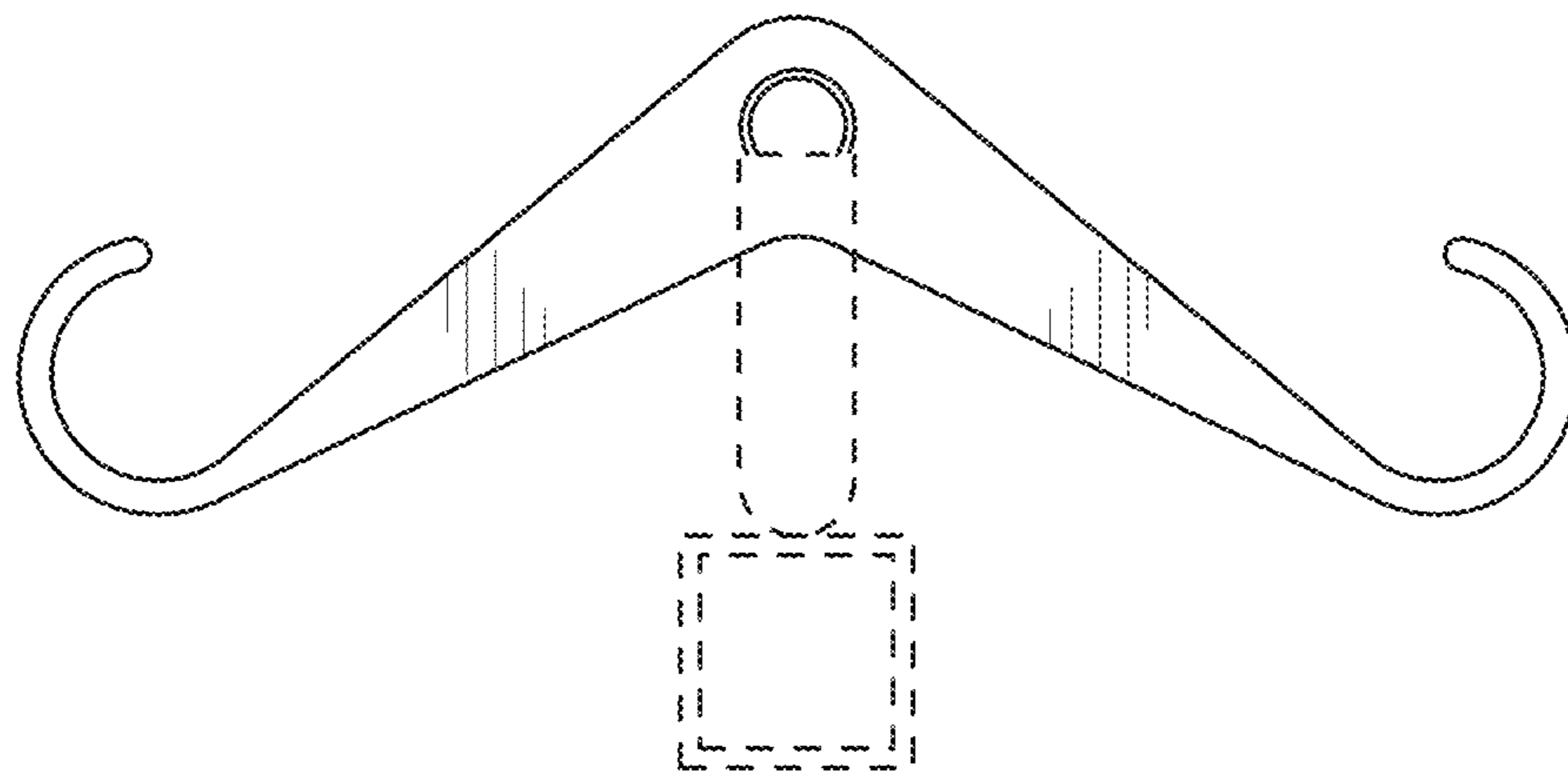


FIG. 4

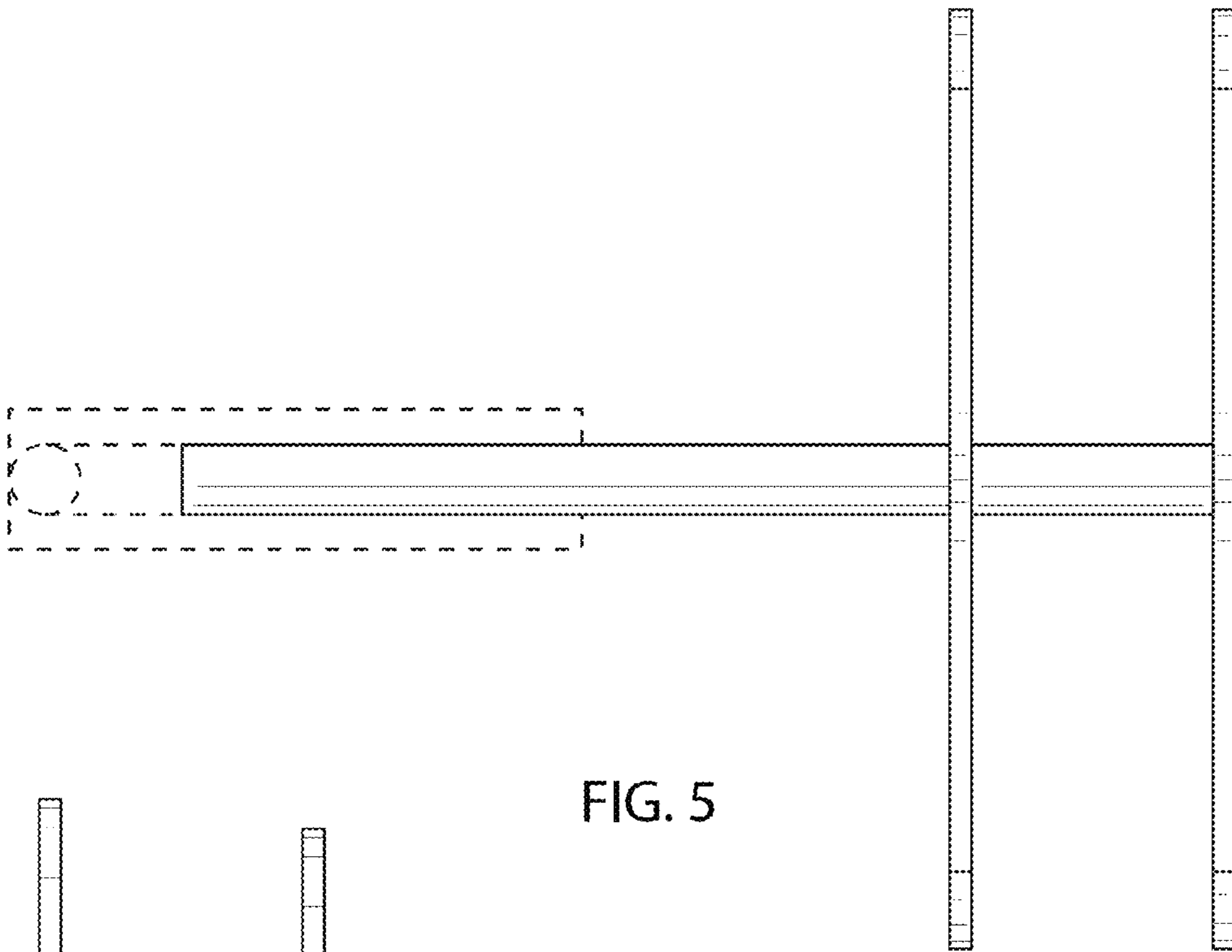


FIG. 5

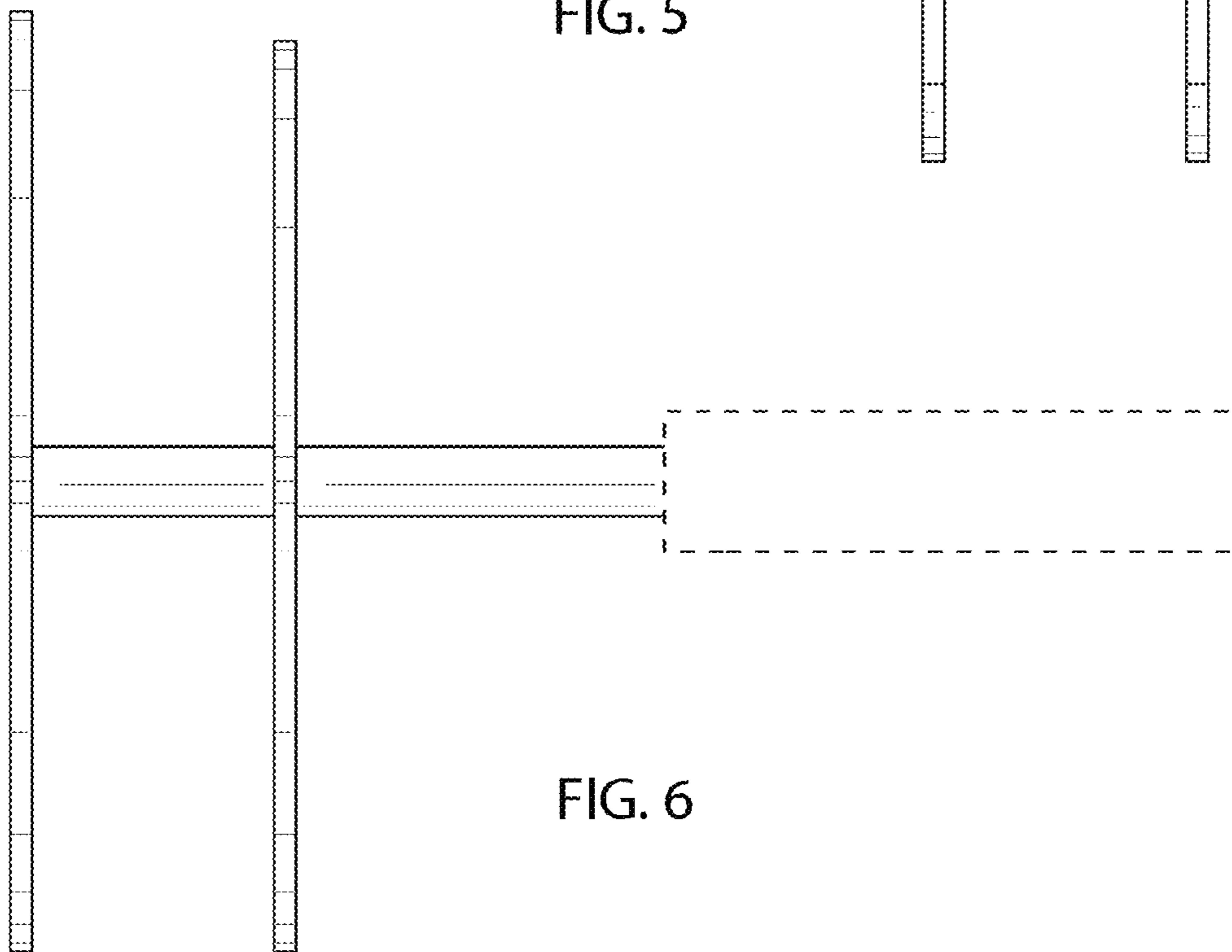


FIG. 6