



US00D721517S

(12) **United States Design Patent**
Hill

(10) **Patent No.:** **US D721,517 S**
(45) **Date of Patent:** **** Jan. 27, 2015**

- (54) **SANITIZING WIPE CONTAINER**
- (71) Applicant: **Curtis Hill**, Sacramento, CA (US)
- (72) Inventor: **Curtis Hill**, Sacramento, CA (US)
- (**) Term: **14 Years**
- (21) Appl. No.: **29/485,337**
- (22) Filed: **Mar. 18, 2014**
- (51) **LOC (10) Cl.** **20-02**
- (52) **U.S. Cl.**
USPC **D6/518**
- (58) **Field of Classification Search**
CPC A47F 7/021; A47F 5/05; A47F 7/00;
A47F 1/126; A47F 7/163; A47K 10/40;
A47K 10/3836; B66D 1/7442
USPC D6/515–518; 206/225, 333, 389, 391;
211/13.1, 173, 180; 221/26, 33, 282,
221/283; 242/570, 590; 248/309.1, 309.2,
248/905
See application file for complete search history.

D423,263	S	*	4/2000	King et al.	D6/518
D462,215	S		9/2002	Bartelt et al.		
D511,917	S	*	11/2005	Borchardt et al.	D6/515
D522,785	S	*	6/2006	Brady	D6/518
D541,088	S	*	4/2007	Nesci	D6/515
7,527,218	B2		5/2009	Brown		
D623,453	S	*	9/2010	Benedetti	D6/518
D702,965	S	*	4/2014	Ross	D6/515
2006/0151519	A1		7/2006	White		
2007/0283490	A1		12/2007	Wilt		
2013/0075416	A1		3/2013	Boyce		

* cited by examiner

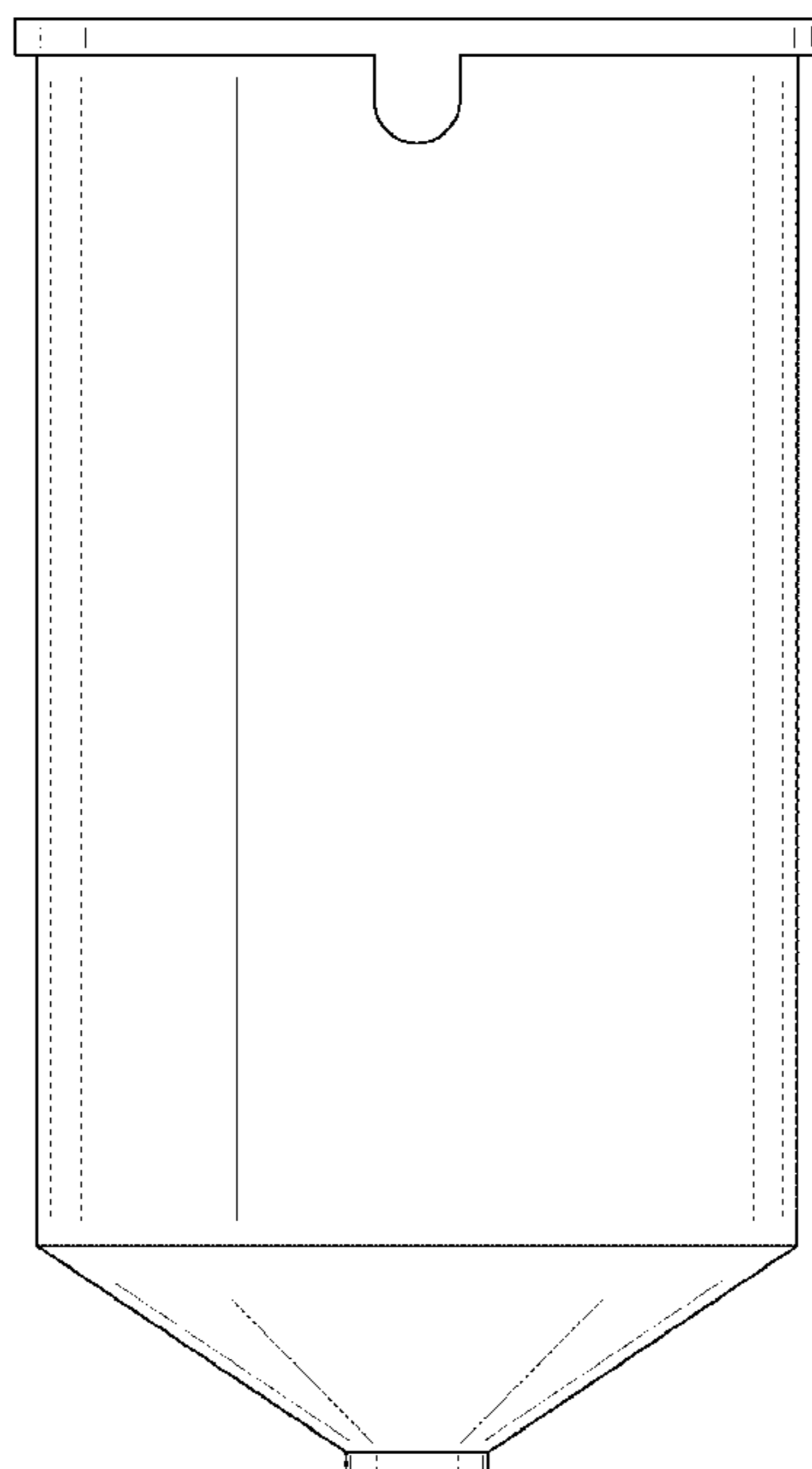
Primary Examiner — Brian N Vinson

- (56) **References Cited**
U.S. PATENT DOCUMENTS
4,648,530 A 3/1987 Granger
5,141,171 A * 8/1992 Yang 242/590
D360,790 S * 8/1995 Landis et al. D6/518
5,509,593 A 4/1996 Bloch et al.
D414,636 S * 10/1999 Wiese D6/515

(57) **CLAIM**
I claim the ornamental design for the sanitizing wipe container, as shown and described.

DESCRIPTION
FIG. 1 is a front view of the sanitizing wipe container.
FIG. 2 is a rear view of the claimed design.
FIG. 3 is a left side view of the claimed design.
FIG. 4 is a top view of the claimed design.
FIG. 5 is a bottom view of the claimed design; and,
FIG. 6 is a perspective view of the claimed design.
The toilet and wall lines of FIG. 6 are in broken lines, and is environmental matter forming no part of the claimed design.

1 Claim, 5 Drawing Sheets



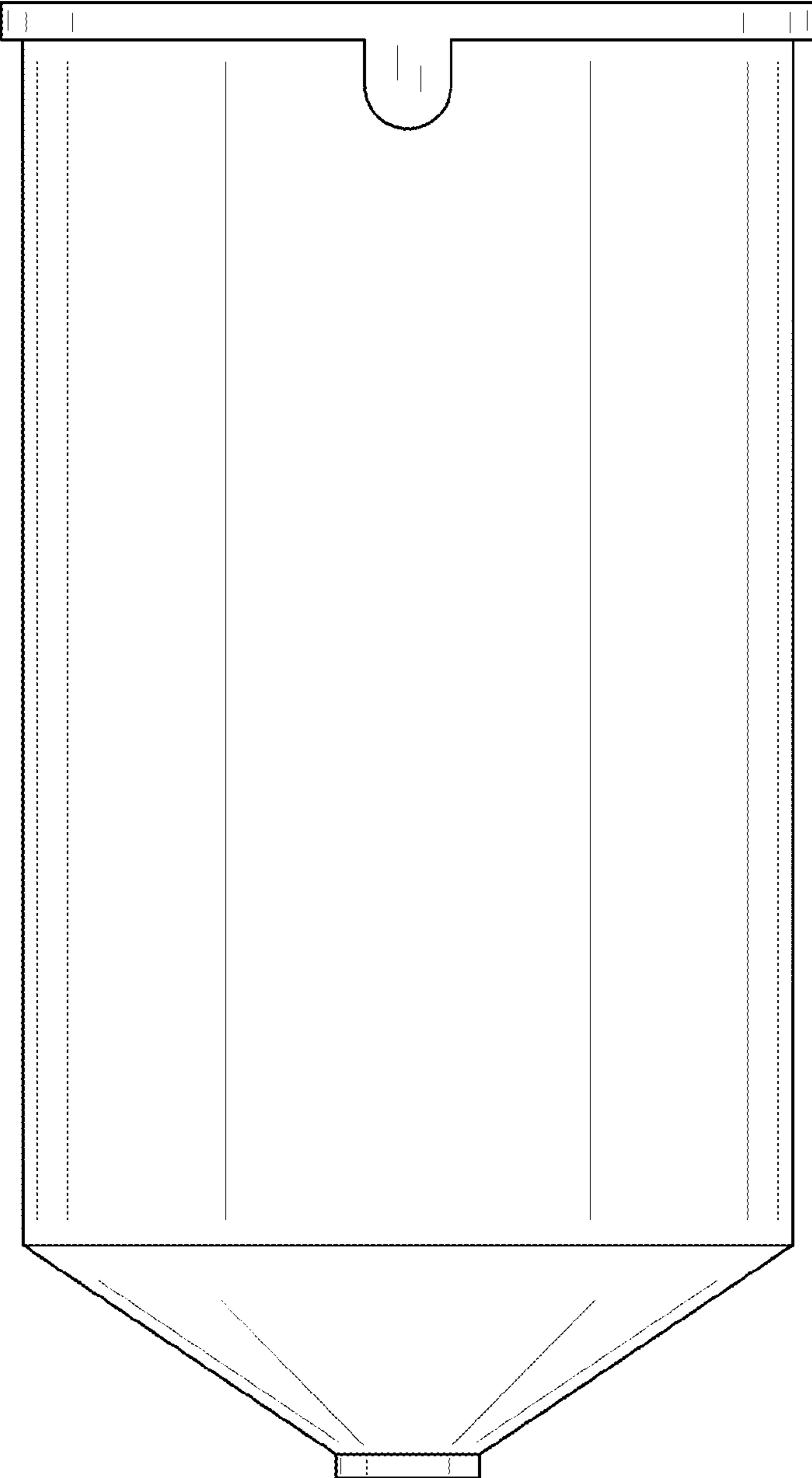


FIG. 1

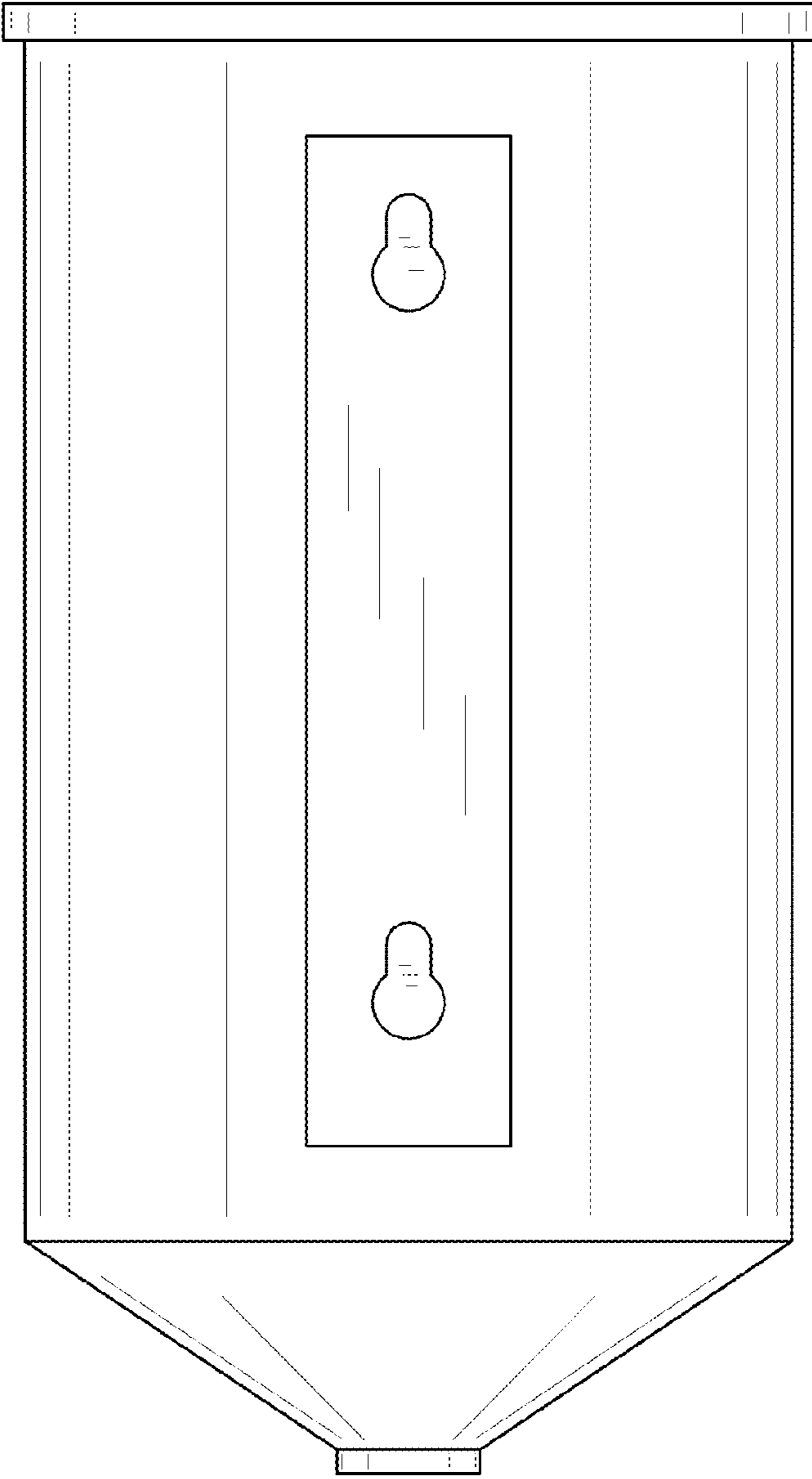


FIG. 2

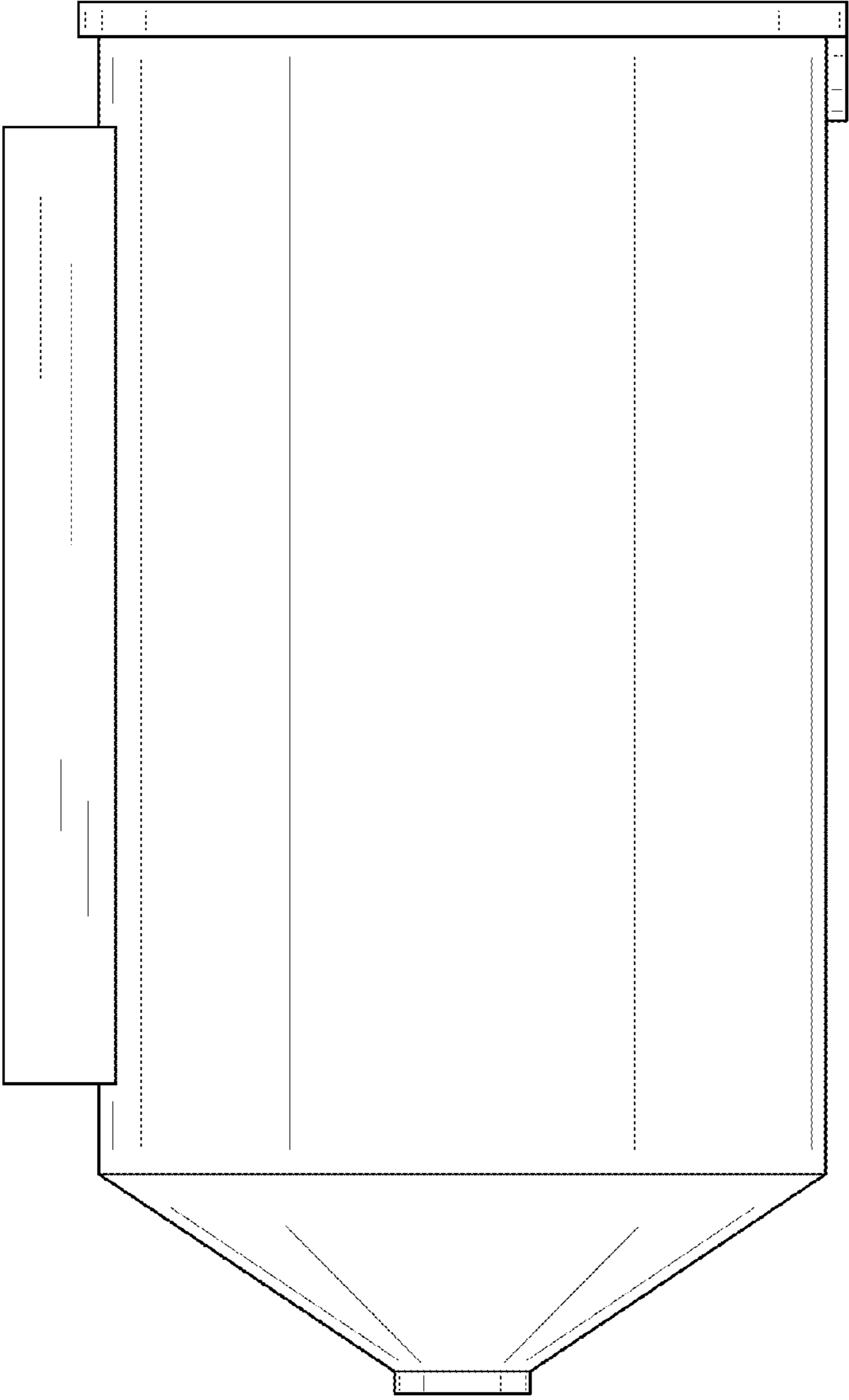


FIG. 3

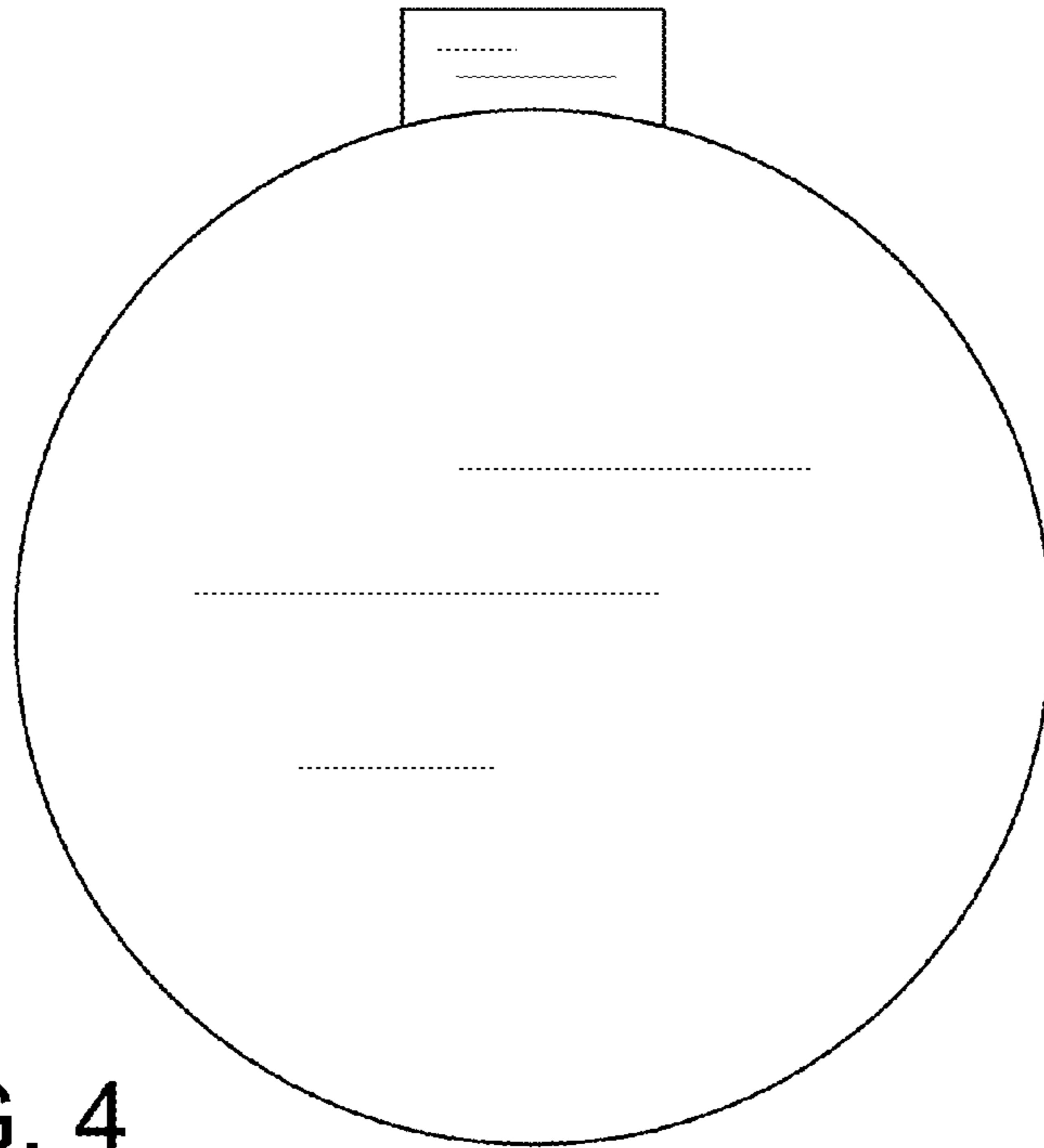


FIG. 4

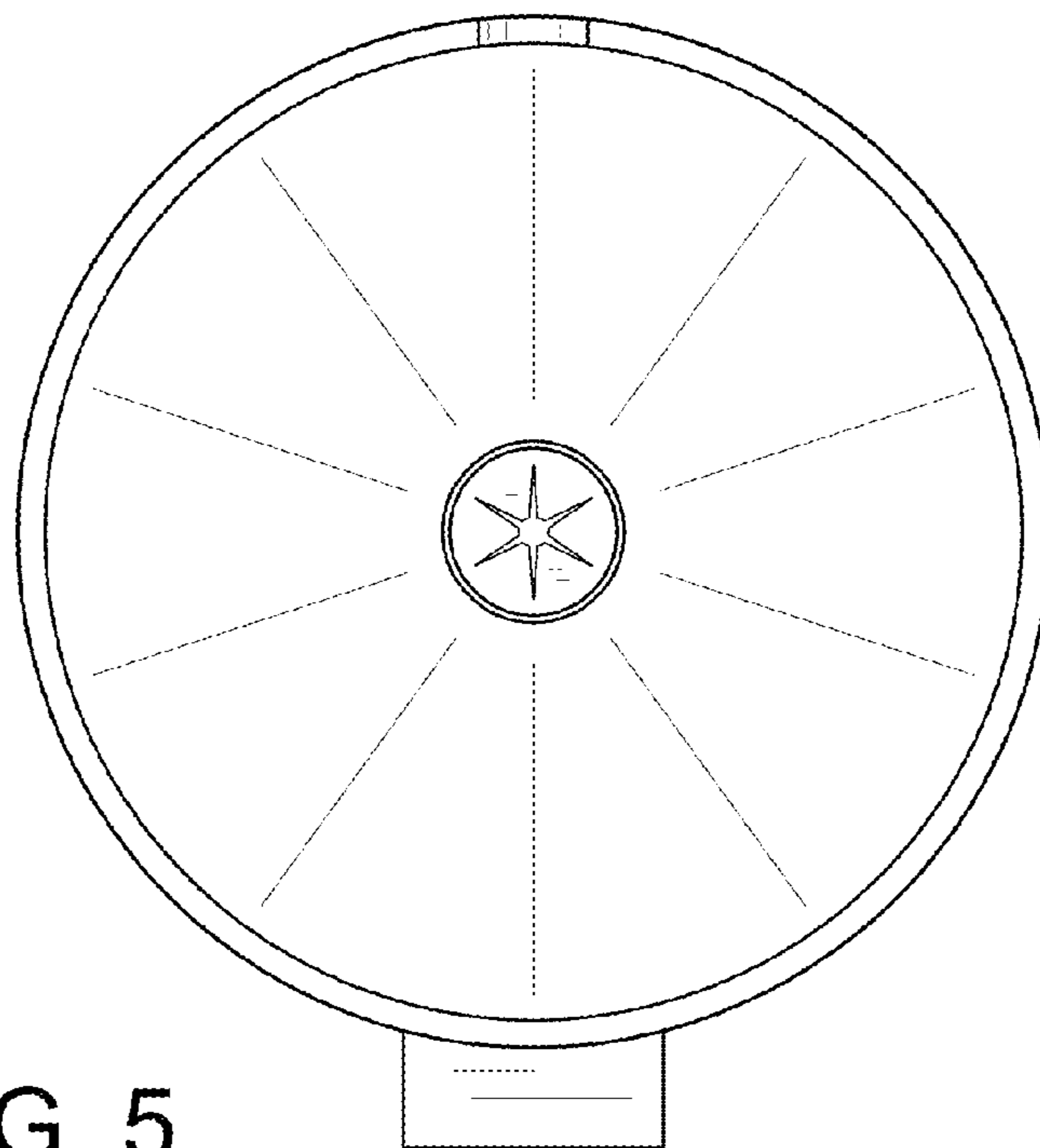


FIG. 5

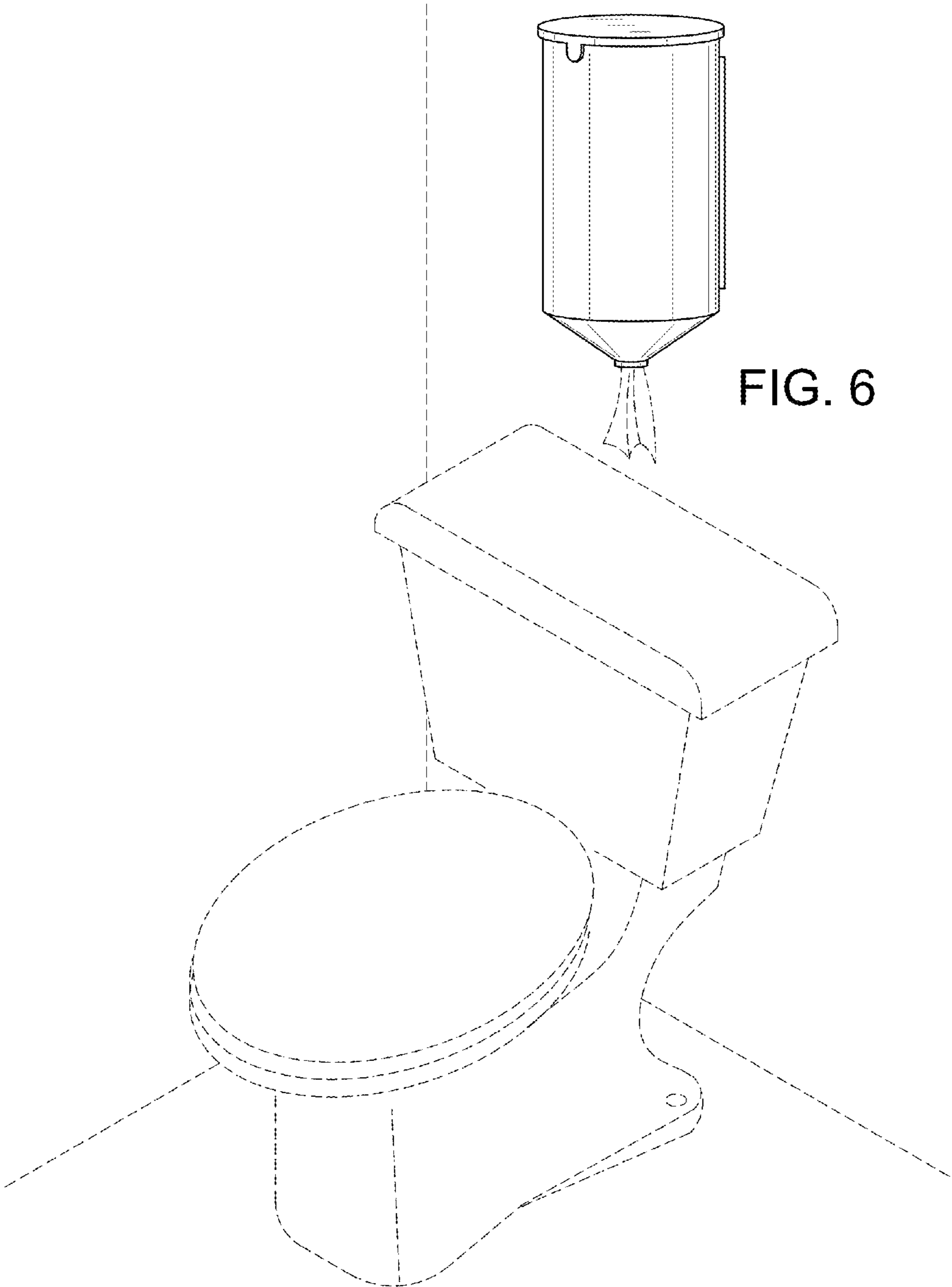


FIG. 6