



US00D721516S

(12) **United States Design Patent**
Adair et al.

(10) **Patent No.:** **US D721,516 S**
(45) **Date of Patent:** **** Jan. 27, 2015**

- (54) **SOFA**
- (71) Applicant: **Ashley Furniture Industries, Inc.**,
Arcadia, WI (US)
- (72) Inventors: **Lisa Adair**, New Albany, MS (US);
Christie Lamb, Saltillo, MS (US)
- (73) Assignee: **Ashley Furniture Industries, Inc.**,
Arcadia, WI (US)
- (**) Term: **14 Years**
- (21) Appl. No.: **29/480,685**
- (22) Filed: **Jan. 28, 2014**
- (51) **LOC (10) Cl.** **06-01**
- (52) **U.S. Cl.**
USPC **D6/381**
- (58) **Field of Classification Search**
CPC A47C 17/00; A47C 17/02; A47C 17/12;
A47C 17/18; A47C 7/021; A47C 31/00;
A47C 3/16
USPC D6/334, 335, 336, 379, 381, 369;
297/94, 118, 232, 445.1, 448.1, DIG. 7
See application file for complete search history.

D493,298 S *	7/2004	Ricci	D6/381
D495,517 S *	9/2004	Ricci	D6/381
D499,262 S *	12/2004	Ricci	D6/381
D502,018 S *	2/2005	Ricci	D6/381
D504,029 S *	4/2005	Ricci	D6/381
D504,030 S *	4/2005	Ricci	D6/381
D512,241 S *	12/2005	Ricci	D6/381
D520,771 S *	5/2006	Ricci	D6/381
D521,267 S *	5/2006	Ricci	D6/381
D521,761 S *	5/2006	Ricci	D6/381
D521,762 S *	5/2006	Ricci	D6/381
D525,451 S *	7/2006	Natuzzi	D6/381
D543,376 S *	5/2007	Ricci	D6/381
D544,242 S *	6/2007	Ricci	D6/381
D544,246 S *	6/2007	Ricci	D6/381
D547,090 S *	7/2007	Natuzzi	D6/381
D567,527 S *	4/2008	Galardo	D6/381
D616,661 S *	6/2010	Natuzzi	D6/381
D634,940 S *	3/2011	Crockett	D6/381
D634,941 S *	3/2011	Crockett	D6/381
D677,495 S *	3/2013	Digirolamo	D6/381
D693,134 S *	11/2013	Davis	D6/334

* cited by examiner

Primary Examiner — Sandra Snapp

(74) *Attorney, Agent, or Firm* — McAndrews Held & Malloy, Ltd.

(57) **CLAIM**

The ornamental design for a sofa, as shown and described.

DESCRIPTION

FIG. 1 is a perspective view of a sofa showing our new design; FIG. 2 is a left side view thereof; and, FIG. 3 is a front elevation view thereof.

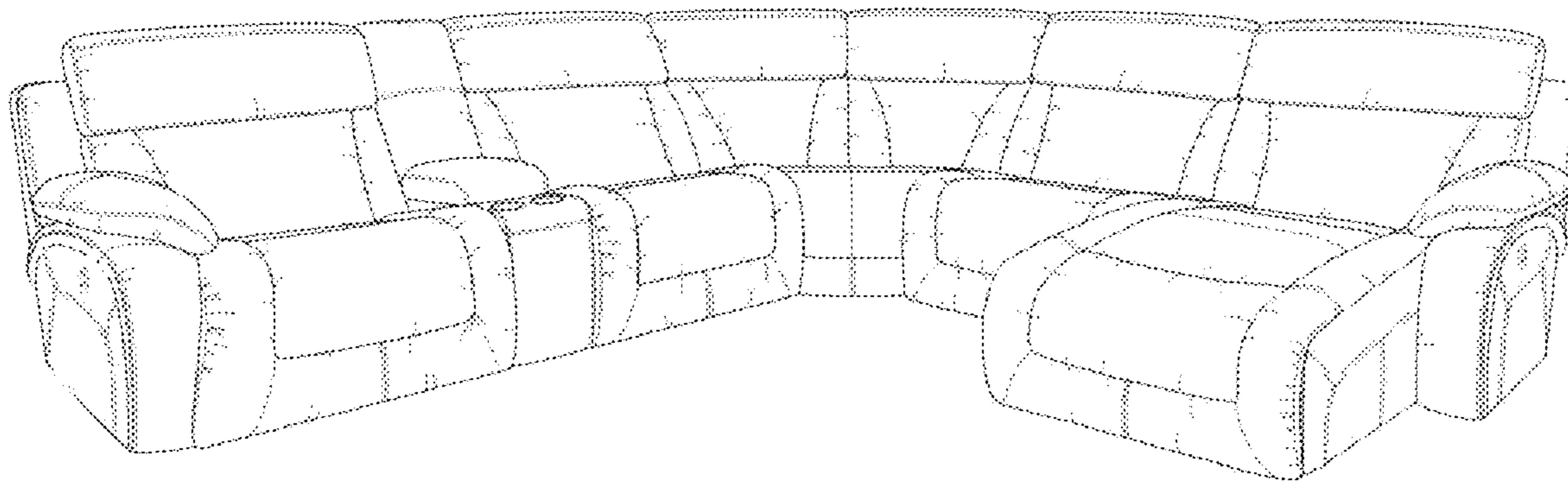
The longer dashed broken lines, are for environmental purposes only and form no part of the claimed design. The shorter dashed broken lines depicting the stitching form part of the claimed design.

Views of the sofa not shown in the figures form no part of the claimed design.

1 Claim, 3 Drawing Sheets

(56) **References Cited**
U.S. PATENT DOCUMENTS

D334,673 S *	4/1993	Robison et al.	D6/367
D347,335 S *	5/1994	Goldberg	D6/381
D362,353 S *	9/1995	Natuzzi et al.	D6/381
D366,769 S *	2/1996	Mabon	D6/335
D367,366 S *	2/1996	Natuzzi et al.	D6/335
D370,356 S *	6/1996	Natuzzi et al.	D6/335
D376,265 S *	12/1996	Lewis et al.	D6/334
D390,372 S *	2/1998	Lewis et al.	D6/381
D411,376 S *	6/1999	Lewis et al.	D6/335
D436,745 S *	1/2001	Lewis	D6/334
D469,973 S *	2/2003	Ricci	D6/381
D470,325 S *	2/2003	Ricci	D6/381



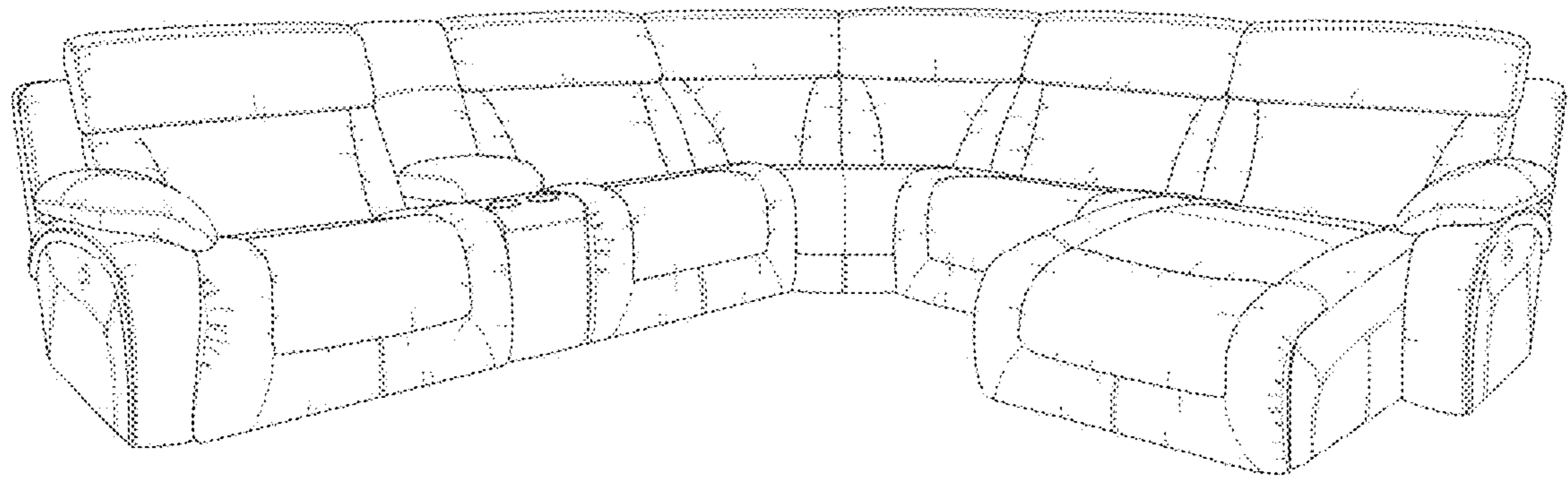


FIG. 1

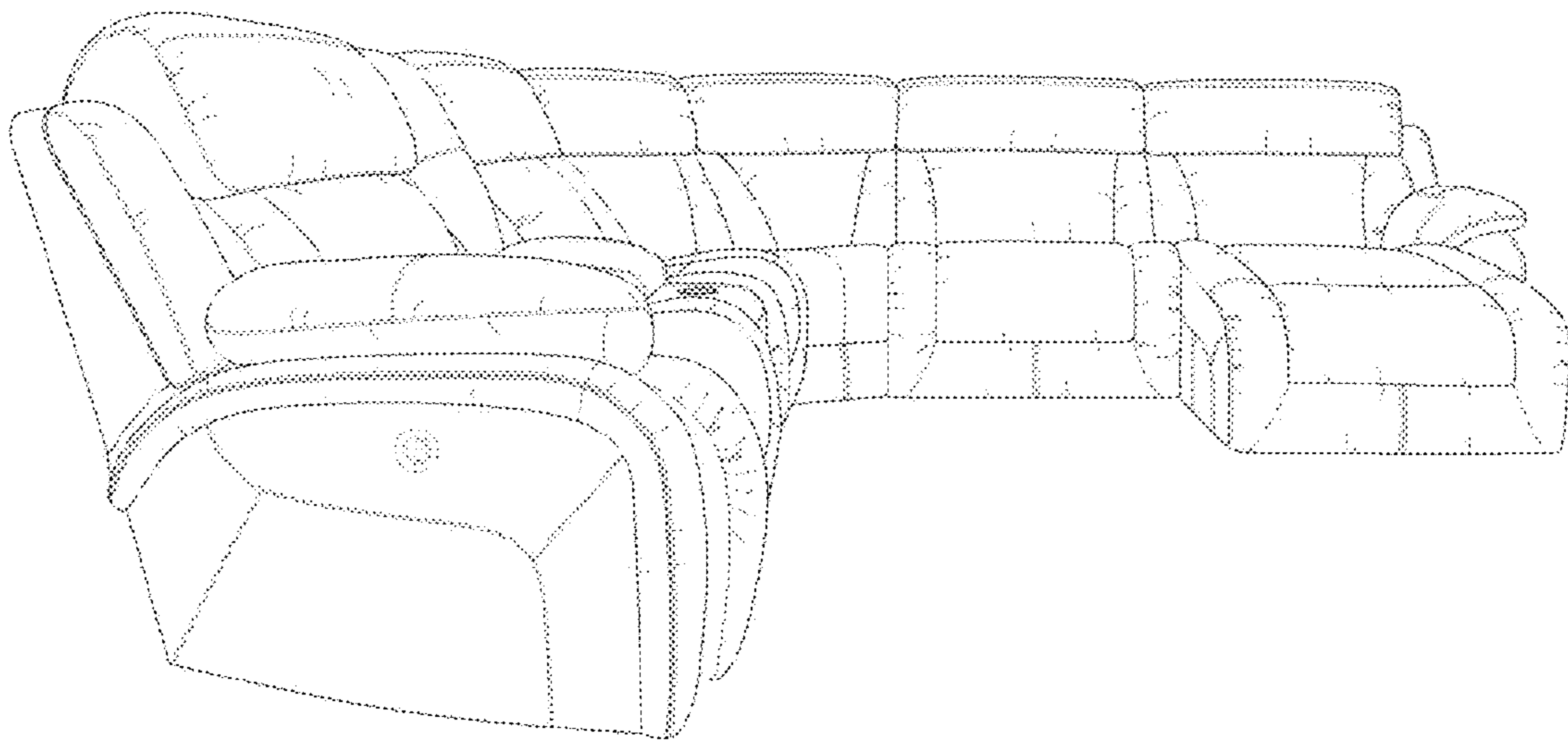


FIG. 2

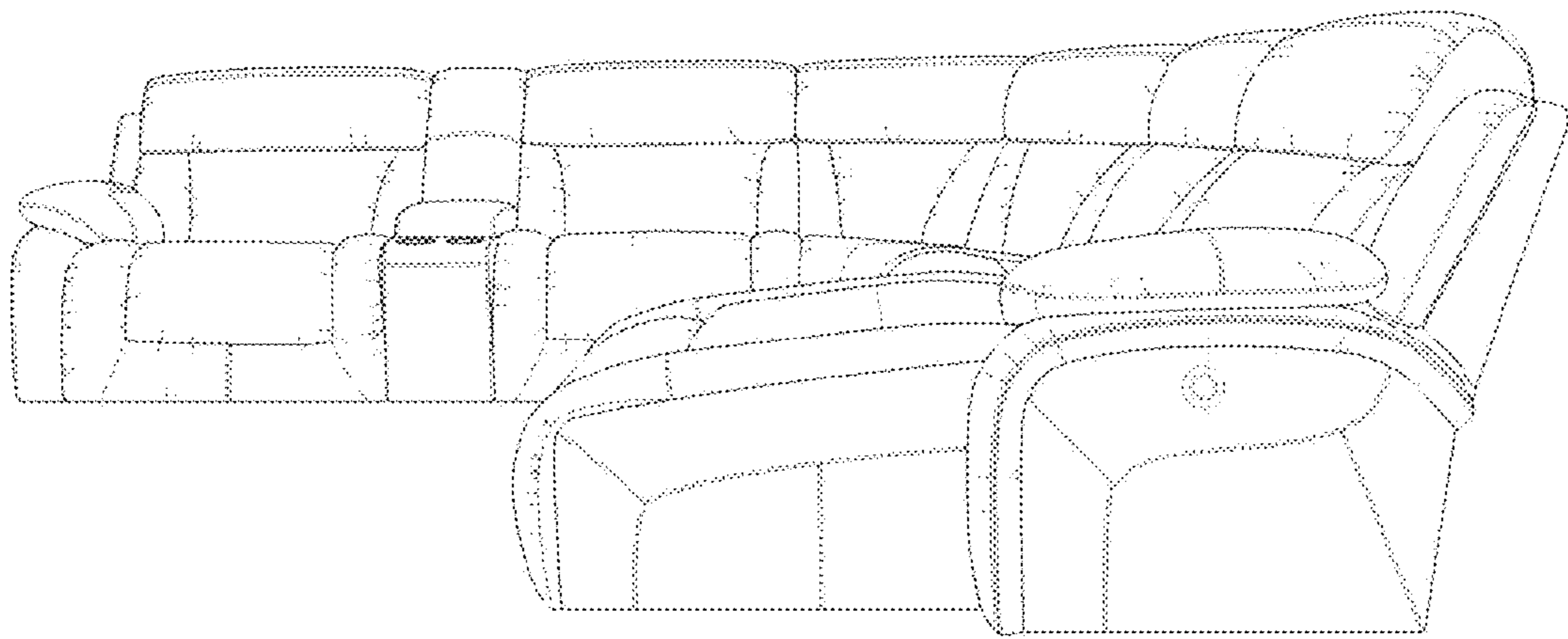


FIG. 3