



US00D721515S

(12) **United States Design Patent**
Adair et al.

(10) **Patent No.:** **US D721,515 S**
(45) **Date of Patent:** **** Jan. 27, 2015**

(54) **SOFA**

(71) Applicant: **Ashley Furniture Industries, Inc.**,
Arcadia, WI (US)

(72) Inventors: **Lisa Adair**, New Albany, MS (US);
Christie Lamb, Saultillo, MS (US)

(73) Assignee: **Ashley Furniture Industries, Inc.**,
Arcadia, WI (US)

(**) Term: **14 Years**

(21) Appl. No.: **29/480,683**

(22) Filed: **Jan. 28, 2014**

(51) **LOC (10) Cl.** **06-01**

(52) **U.S. Cl.**
USPC **D6/381**

(58) **Field of Classification Search**

CPC A47C 17/00; A47C 17/02; A47C 17/12;
A47C 17/18; A47C 7/021; A47C 31/00;
A47C 3/16

USPC D6/334, 335, 336, 379, 381, 369;
297/94, 118, 232, 445.1, 448.1, DIG. 7

See application file for complete search history.

(56) **References Cited**

U.S. PATENT DOCUMENTS

D347,335 S *	5/1994	Goldberg	D6/381
D390,371 S *	2/1998	Gibson	D6/381
D471,374 S *	3/2003	Natuzzi et al.	D6/381
D476,166 S *	6/2003	Ricci	D6/381
D492,854 S *	7/2004	Nastri	D6/381
D614,418 S *	4/2010	Crockett	D6/381
D630,028 S *	1/2011	Delbridge	D6/334
D630,029 S *	1/2011	Delbridge	D6/334

* cited by examiner

Primary Examiner — Sandra Snapp

(74) *Attorney, Agent, or Firm* — McAndrews Held & Malloy, Ltd.

(57) **CLAIM**

The ornamental design for a sofa, as shown and described.

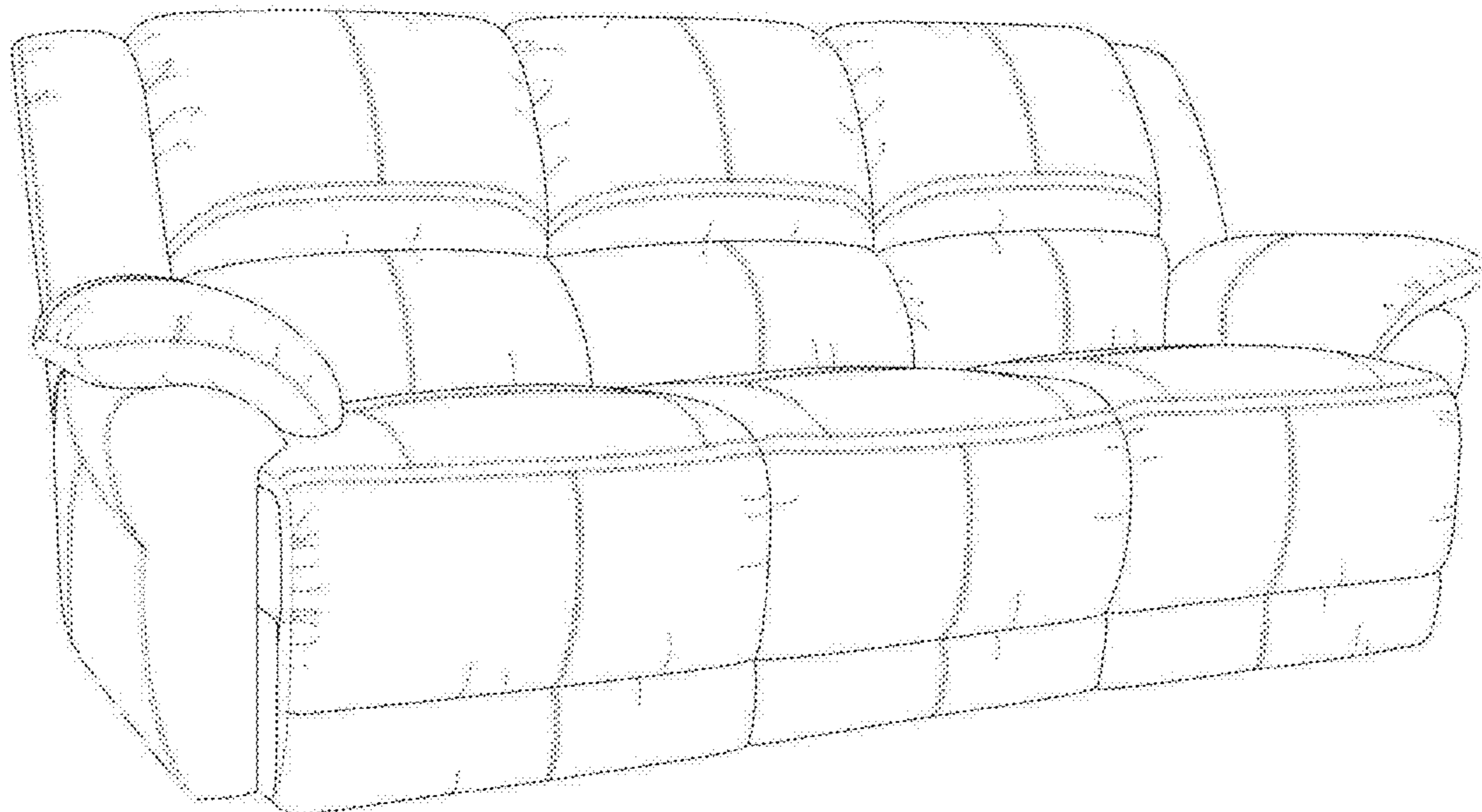
DESCRIPTION

FIG. 1 is a perspective view of a sofa showing our new design; FIG. 2 is a front elevation view thereof; FIG. 3 is a left side view thereof; and, FIG. 4 is a right side view thereof.

The longer dashed broken lines are for environmental purposes only and form no part of the claimed design. The shorter dashed broken lines depicting the stitching form part of the claimed design.

Views of the sofa not shown in the figures form no part of the claimed design.

1 Claim, 4 Drawing Sheets



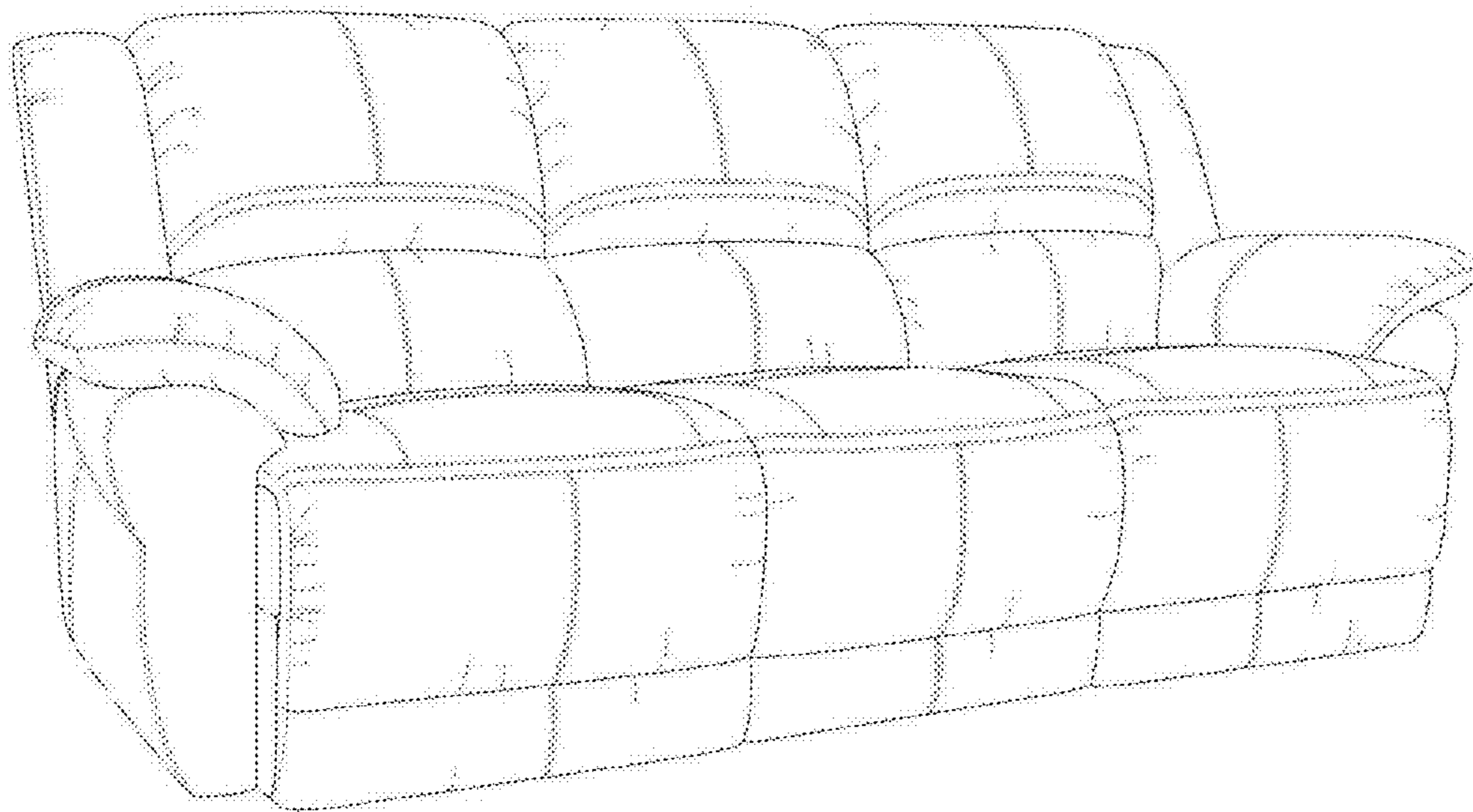


FIG. 1

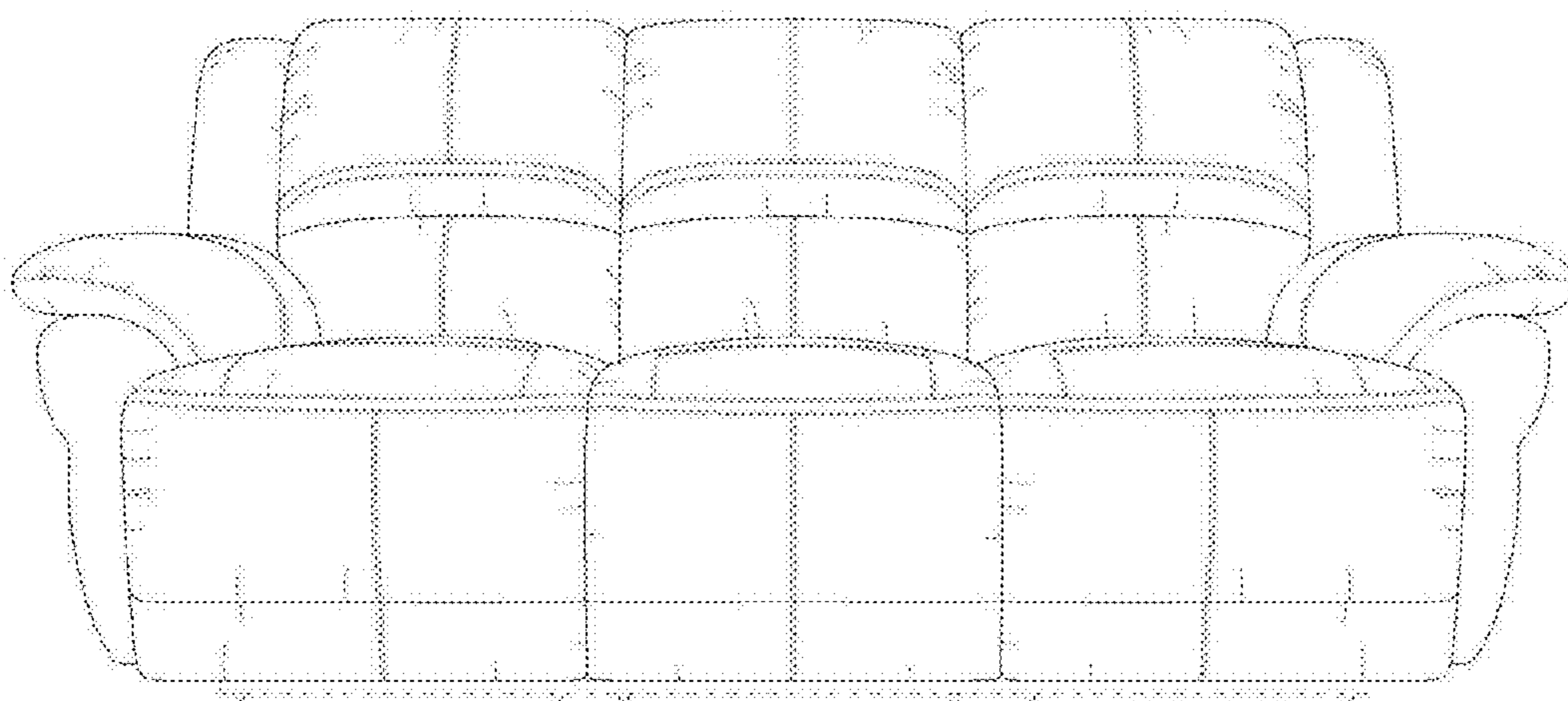


FIG. 2

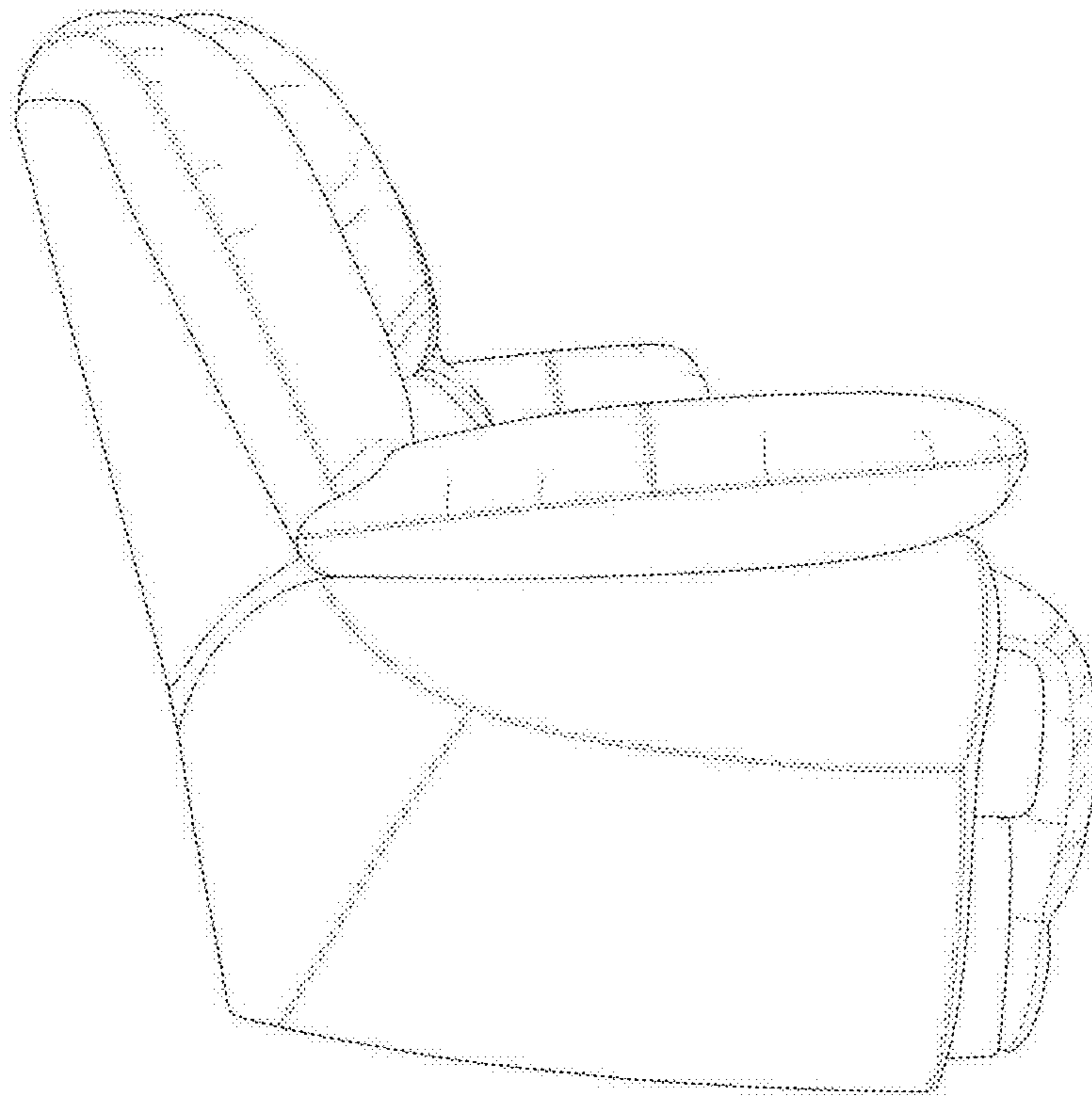


FIG. 3

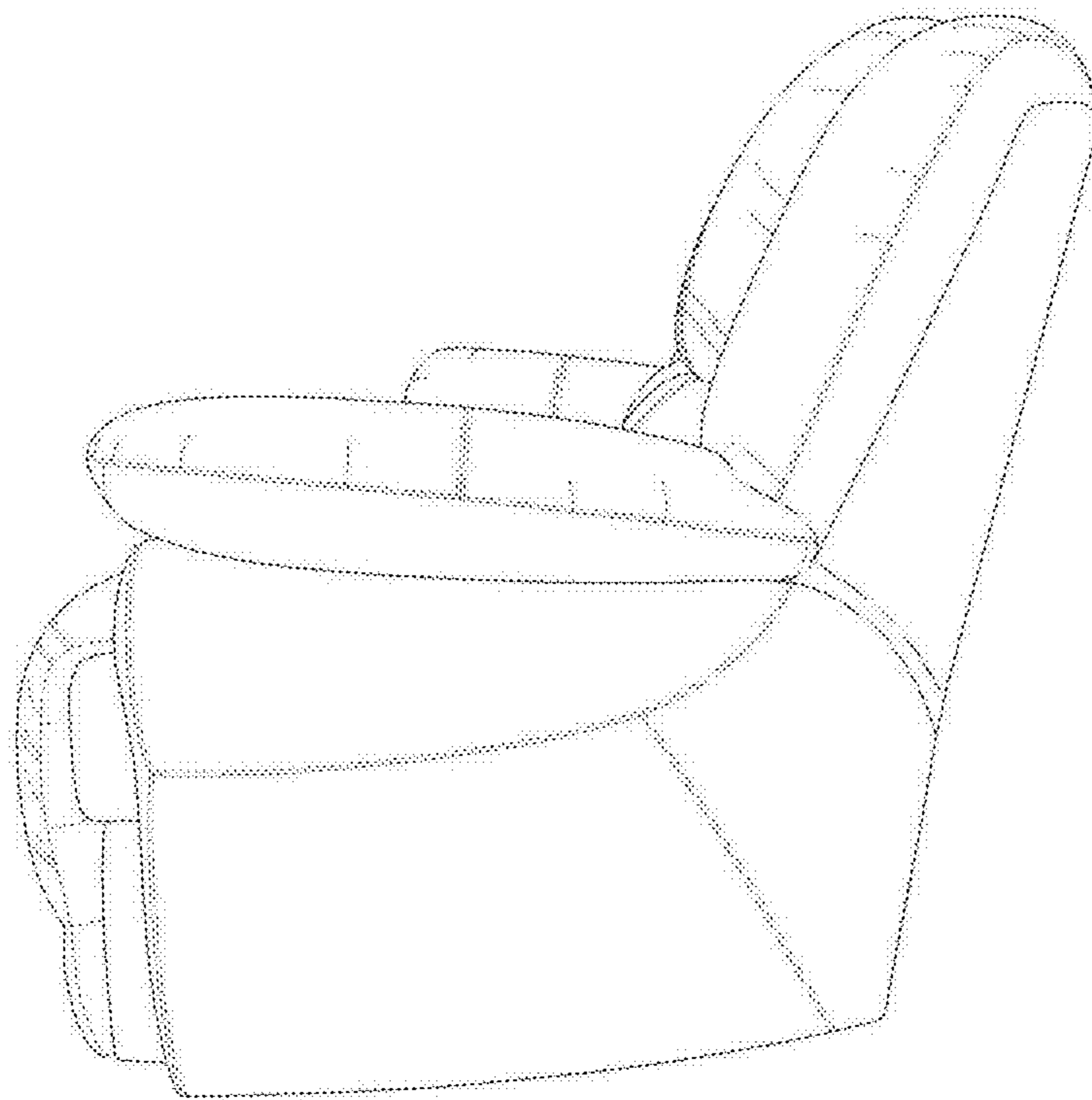


FIG. 4