



US00D721510S

(12) **United States Design Patent**
Hagerty

(10) **Patent No.:** **US D721,510 S**
(45) **Date of Patent:** **** Jan. 27, 2015**

(54) **CARD OR PHOTOGRAPH STAND FORMED FROM A BASEBALL BAT**

(71) Applicant: **Michael E. Hagerty**, North Easton, MA (US)

(72) Inventor: **Michael E. Hagerty**, North Easton, MA (US)

(**) Term: **14 Years**

(21) Appl. No.: **29/469,654**

(22) Filed: **Oct. 11, 2013**

Related U.S. Application Data

(62) Division of application No. 29/434,425, filed on Oct. 12, 2012, now Pat. No. Des. 695,028.

(51) **LOC (10) Cl.** **06-07**

(52) **U.S. Cl.**
USPC **D6/303**; D6/310

(58) **Field of Classification Search**
USPC D6/303, 310, 314, 332, 677, 677.4, 702, D6/682, 672, 682.1, 682.2, 682.3; D7/30, D7/591, 679, 684; D8/378; D9/777, 778; D11/143, 182; D14/403; D19/95-97, D19/86, 90, 75; D20/40, 41, 15, 43; D21/413, 315, 328, 356, 425, 722, 725, D21/780; D26/9-23; D27/108; 211/33; 473/564, 566; D40/642.02, 649, 700, D40/709, 765

See application file for complete search history.

(56) **References Cited**

U.S. PATENT DOCUMENTS

1,706,680 A 3/1929 Smith
D149,059 S * 3/1948 Hanrahan D28/74
2,458,919 A 1/1949 Marsden
D233,500 S * 11/1974 Phillips D6/303
D237,933 S * 12/1975 Farley D6/303
D317,530 S * 6/1991 Masterson D6/303

D324,793 S * 3/1992 Johnson D6/552
D336,752 S * 6/1993 Lattimer D19/90
D349,925 S * 8/1994 Charron et al. D19/90
D358,794 S * 5/1995 Thigpen D12/162
D366,064 S * 1/1996 Milojevich D19/90
D372,742 S * 8/1996 Kakudo D21/392
D380,906 S * 7/1997 White D6/303
5,678,698 A 10/1997 Cabral
D390,883 S * 2/1998 Watkins et al. D20/43
D397,885 S * 9/1998 Reed D6/434

(Continued)

OTHER PUBLICATIONS

Baseball Bat Salt & Pepper Mills, available Oct. 10, 2013, [online], [site visted Sep. 4, 2014]. Available from internet, <URL: <http://www.shopatclares.com/baseball-bat-salt-pepper-mills/>>.*

(Continued)

Primary Examiner — Cathron Brooks

Assistant Examiner — Teddy Falloway

(74) *Attorney, Agent, or Firm* — Charles E. Lyon; T. Paul Tampitukpongse; Choate, Hall & Stewart LLP

(57) **CLAIM**

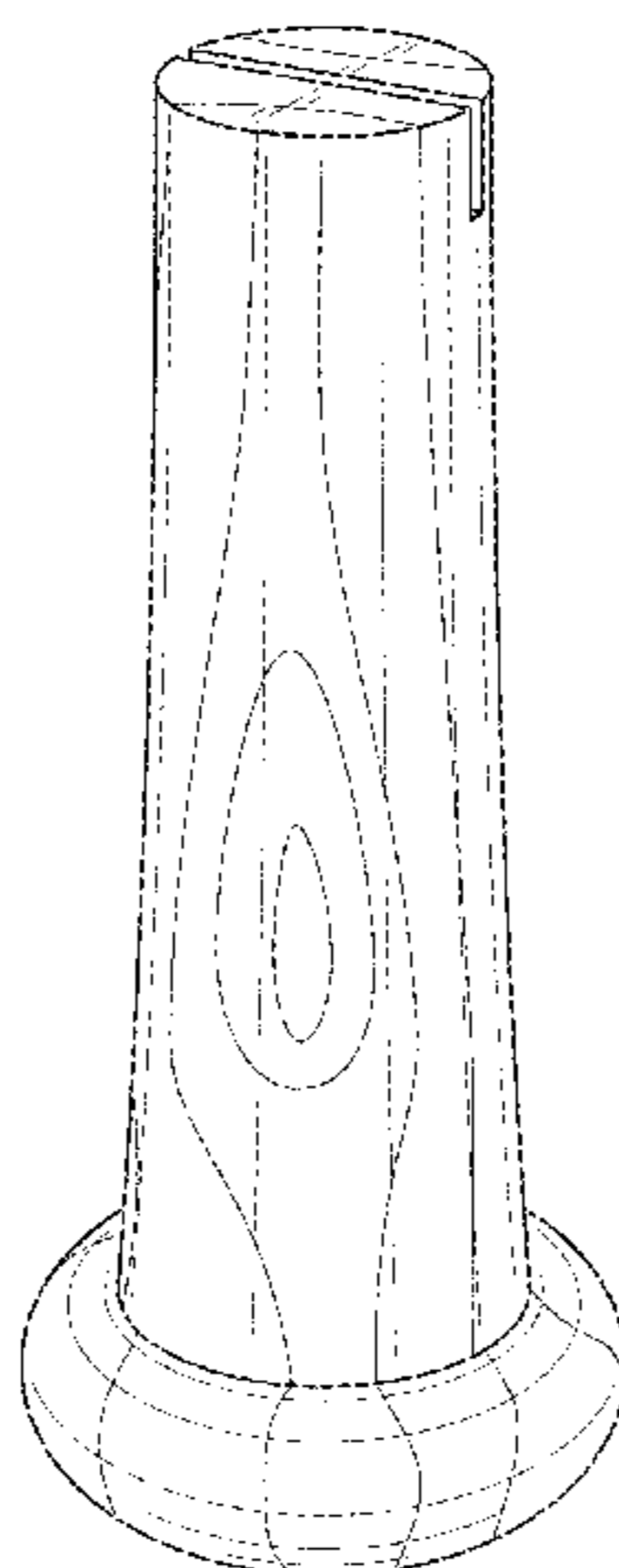
The ornamental design for a card or photograph stand formed from a baseball bat, as shown and described.

DESCRIPTION

FIG. 1 is a perspective view of a card or photograph stand formed from a baseball bat, showing my new design;
FIG. 2 is a front view thereof;
FIG. 3 is a rear view thereof;
FIG. 4 is a right side view thereof;
FIG. 5 is a left side view thereof;
FIG. 6 is a top view thereof;
FIG. 7 is a bottom view thereof; and,
FIG. 8 is a perspective view thereof.

The broken lines shown are included for the purpose of illustrating portions of the stand that form no part of the claimed design.

1 Claim, 7 Drawing Sheets



(56)

References Cited

U.S. PATENT DOCUMENTS

D413,930 S * 9/1999 Ancona et al. D19/90
 6,022,281 A * 2/2000 Nolan 473/457
 D426,853 S * 6/2000 Clubbe D19/90
 6,146,291 A 11/2000 Nydigger
 D440,407 S * 4/2001 Farley D6/303
 D459,382 S * 6/2002 Cohen D17/22
 D461,021 S * 7/2002 Stokes D26/110
 D465,660 S * 11/2002 Doeing D6/310
 D473,628 S 4/2003 Tracy
 D477,920 S * 8/2003 McCarty et al. D6/310
 D478,593 S 8/2003 Heard et al.
 D482,749 S 11/2003 Gumpel
 6,817,922 B1 * 11/2004 Davies 446/418
 6,824,482 B1 * 11/2004 Tribble 473/564
 D501,887 S * 2/2005 Lee D19/90
 D531,821 S * 11/2006 Tipton D6/303
 D543,251 S * 5/2007 Kelliher D21/725
 7,226,645 B1 * 6/2007 Braithwaite 428/18
 D560,261 S 1/2008 Satloff
 D566,449 S * 4/2008 Prata dos Santos D6/629
 D582,613 S * 12/2008 Nylen D30/125
 D585,199 S * 1/2009 Lau et al. D6/304
 7,553,239 B2 * 6/2009 Pullaro 473/256
 D595,514 S 7/2009 Feldpausch et al.
 D597,604 S * 8/2009 E D19/91
 D598,057 S * 8/2009 Garcia D21/405
 D605,889 S 12/2009 Ewertsen et al.
 D640,105 S 6/2011 Benz
 7,972,229 B2 7/2011 MacDougall
 D657,962 S * 4/2012 Ferine D6/303
 D665,248 S * 8/2012 Vu D8/402
 8,365,798 B2 2/2013 Feldpausch et al.

8,409,038 B2 4/2013 MacDougall
 D684,453 S * 6/2013 Sutherland et al. D8/378
 D684,454 S * 6/2013 Sutherland et al. D8/378
 2007/0072710 A1 3/2007 Lo

OTHER PUBLICATIONS

Spice Mill, available Oct. 8, 2009, [online], [site visted Sep. 4, 2014]. Available from internet, <URL: <http://www.amazon.com/Typhoon-73000-Pantone-Mill-Red/dp/B001KBYI2?ie=UTF8&s=kitchen&qid=1237128070&sr=1-1>>.*
 Baseball Bat Peppermill, available Jun. 12, 2010, [online], [site visted Sep. 4, 2014]. Available from internet, <URL: <http://www.chefdepot.net/peppermills2.htm>>.*
 Ballpoint Pen in Maple Baseball Bat Award Case, available Jan. 29, 2010, [online], [site visted Sep. 4, 2014]. Available from internet, <URL: <http://www.hansonellis.com/ballpoint-pen-baseball-bat.html>>.*
 Glove conditioner, available Jan. 2, 2011, [online], [site visted Sep. 4, 2014]. Available from internet, <URL: <https://www.phoenixbats.com/trophy-bats.html/>>.*
 Custom boat slick, available Nov. 3, 2009, [online], [site visted Sep. 4, 2014]. Available from internet, <URL: <http://www.deeperaft.org/deep/archives/1753>>.*
 Wood place card holders, available Apr. 19, 2012, [online], [site visted Sep. 4, 2014]. Available from internet, <URL: <http://www.artofweddingspdx.com/2012/04/this-fine-dayperfect-for-a-rustic-wedding/>>.*
 Golf tee card holder, available Apr. 22, 2011, [online], [site visted Sep. 4, 2014]. Available from internet, <URL: <https://www.etsy.com/listing/51229617/golf-tee-place-card-holder-1escort-card>>.*

* cited by examiner

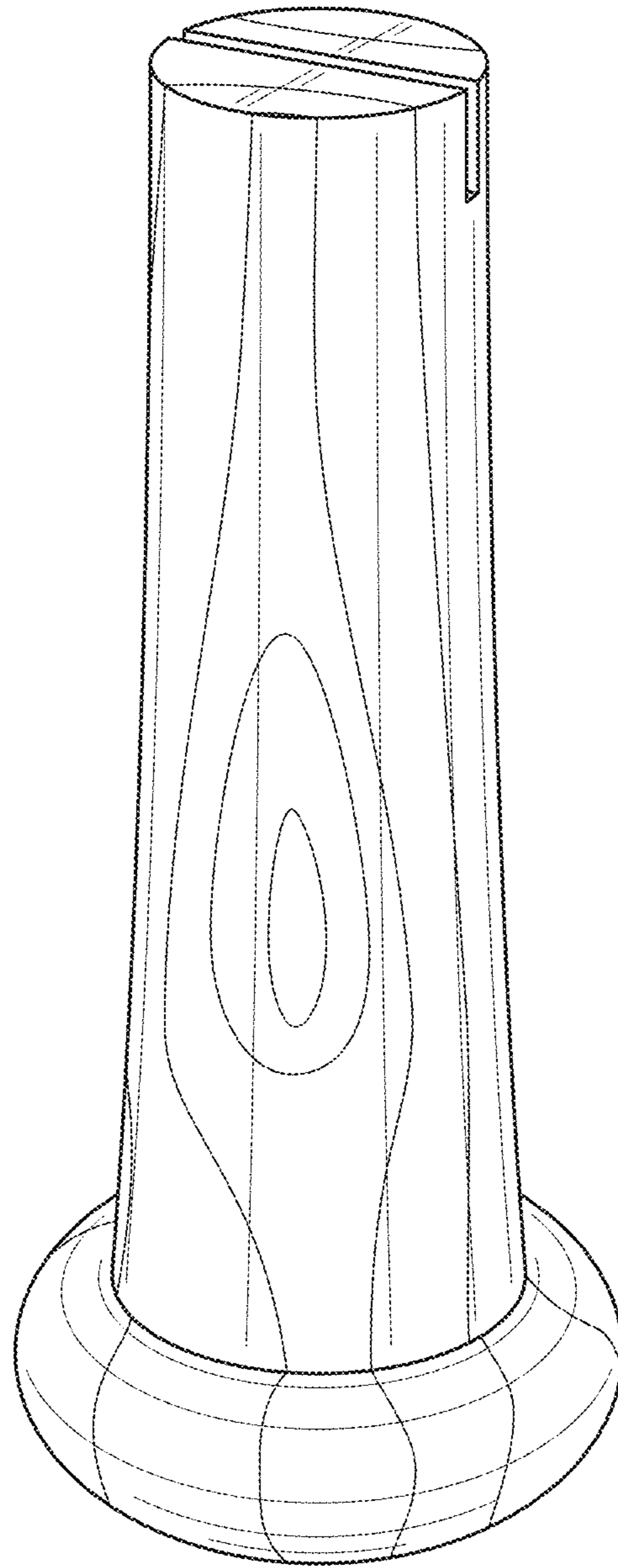


FIG. 1

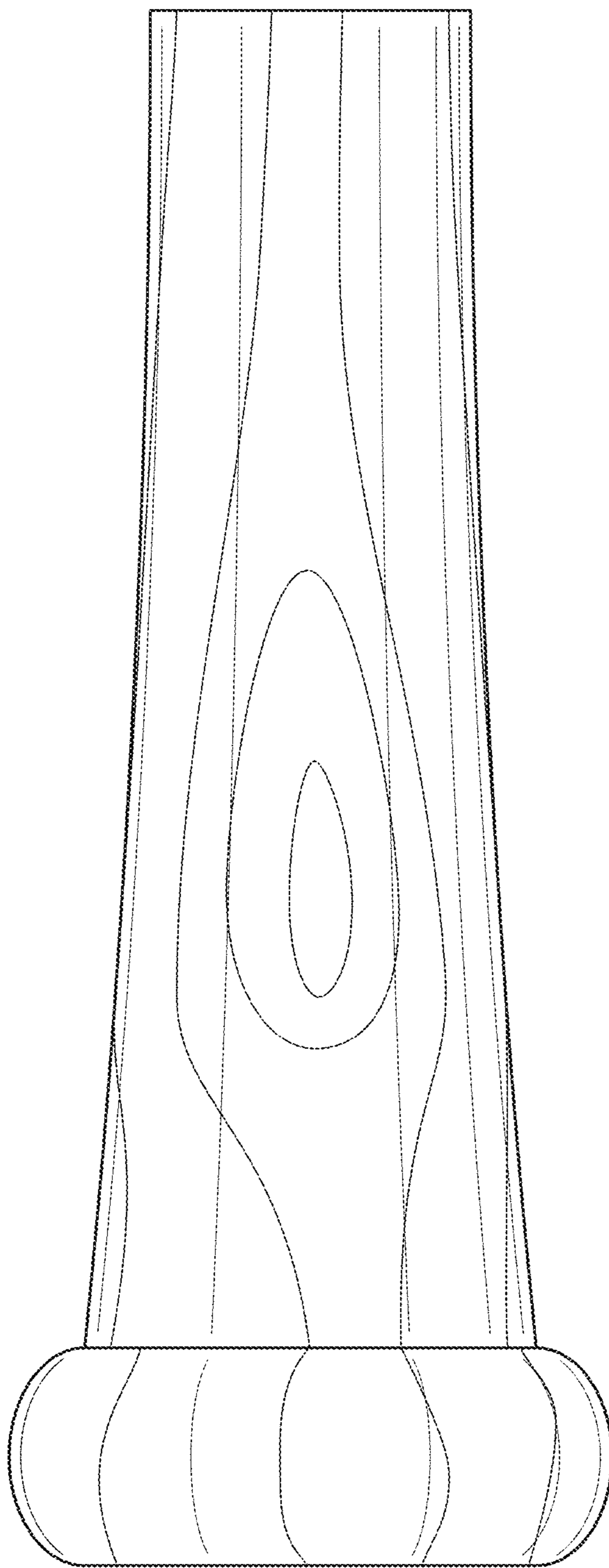


FIG. 2

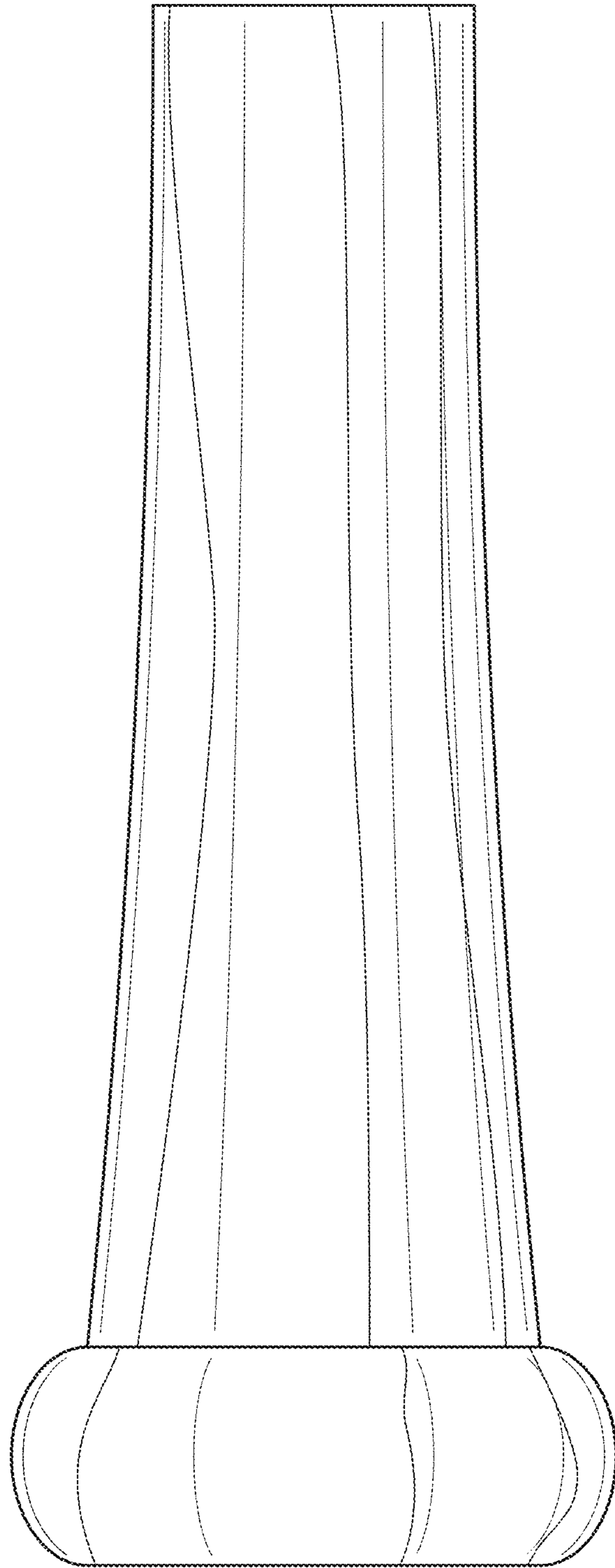


FIG. 3

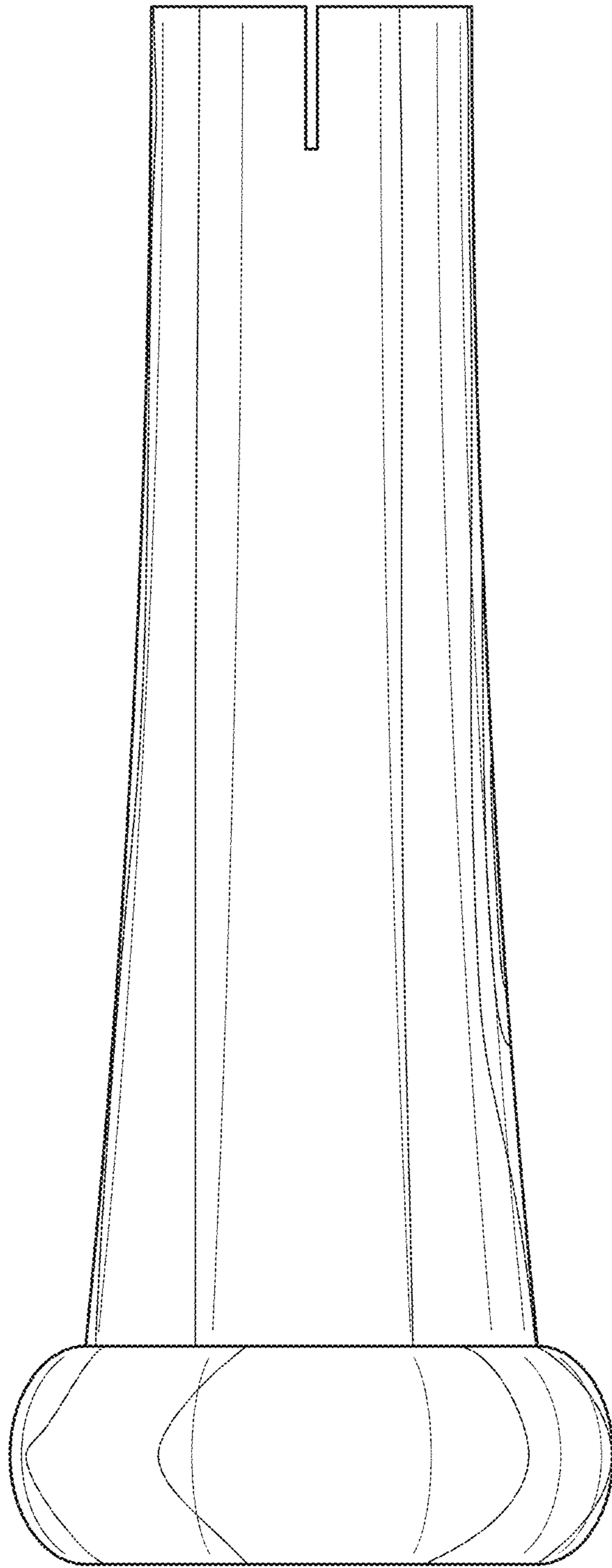


FIG. 4

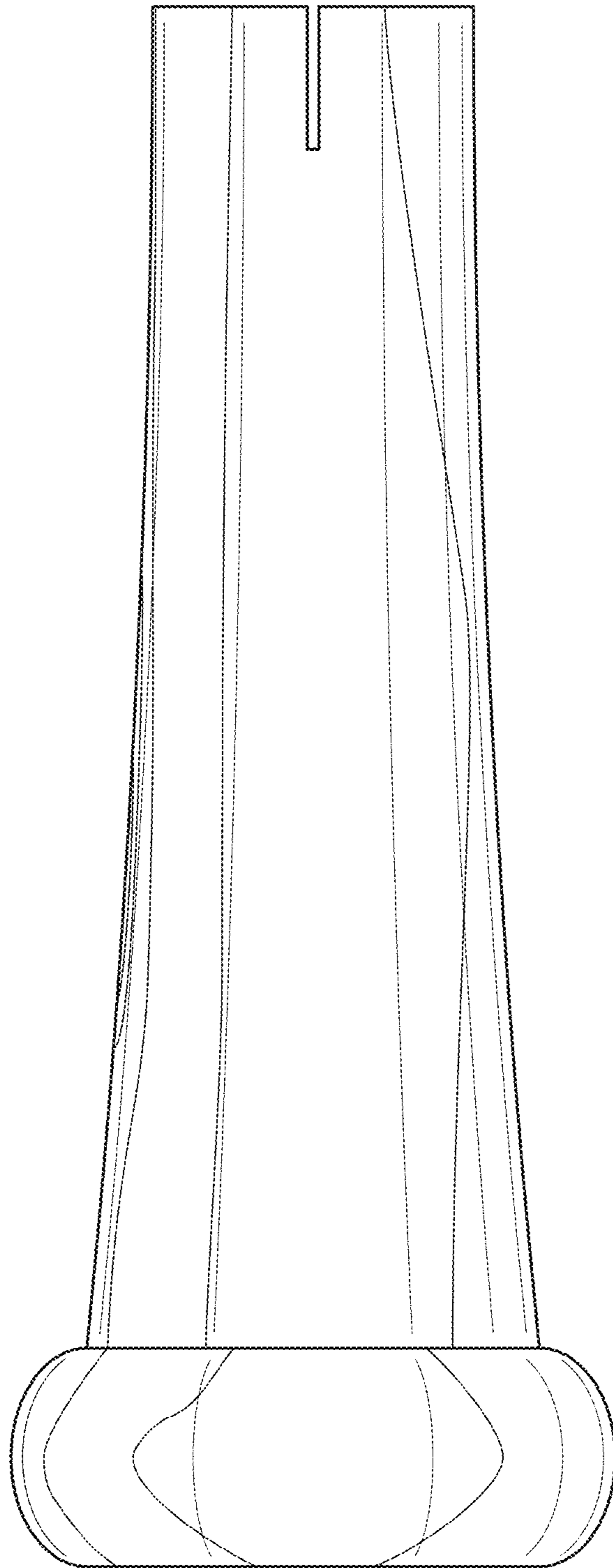


FIG. 5

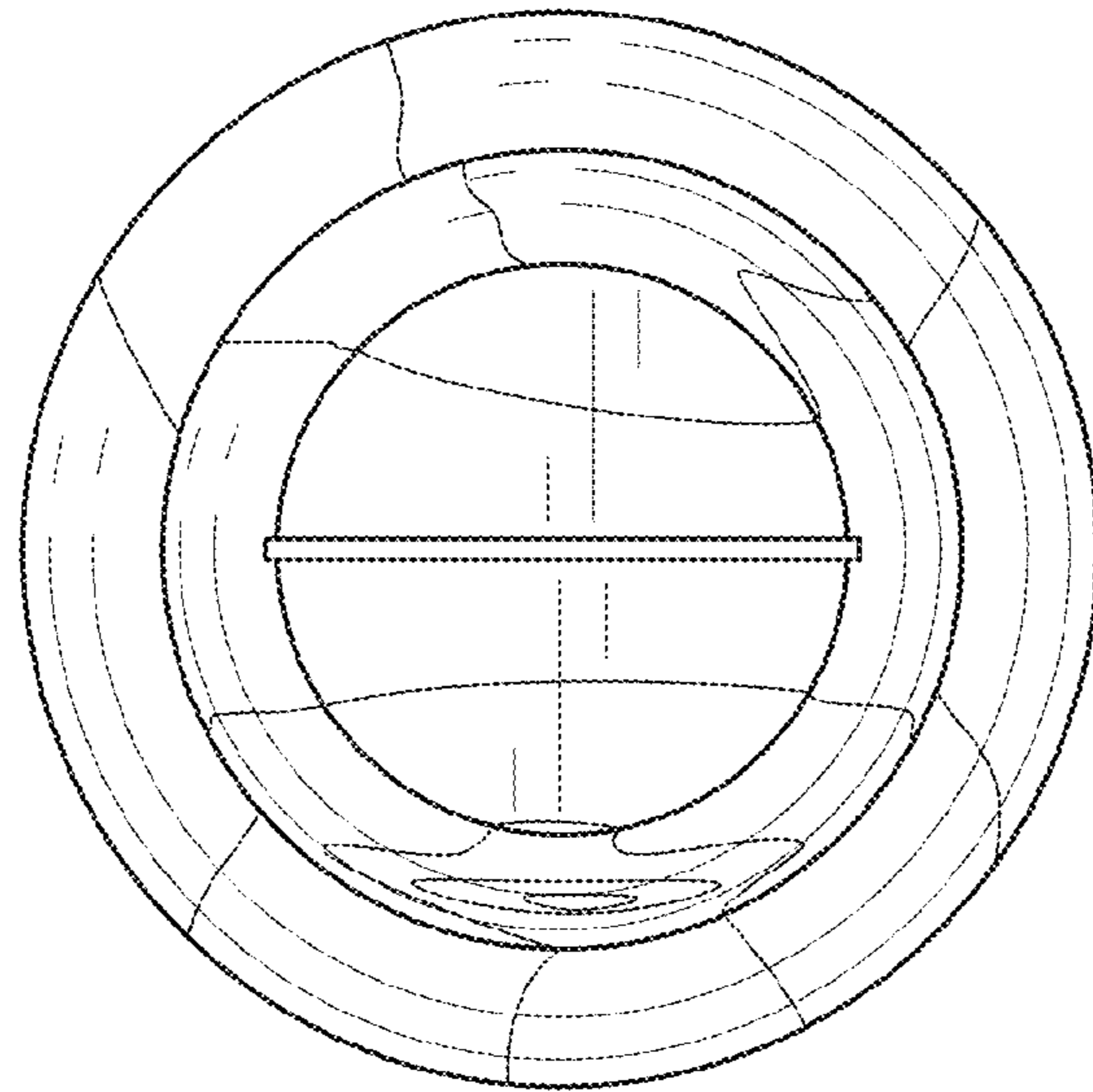


FIG. 6

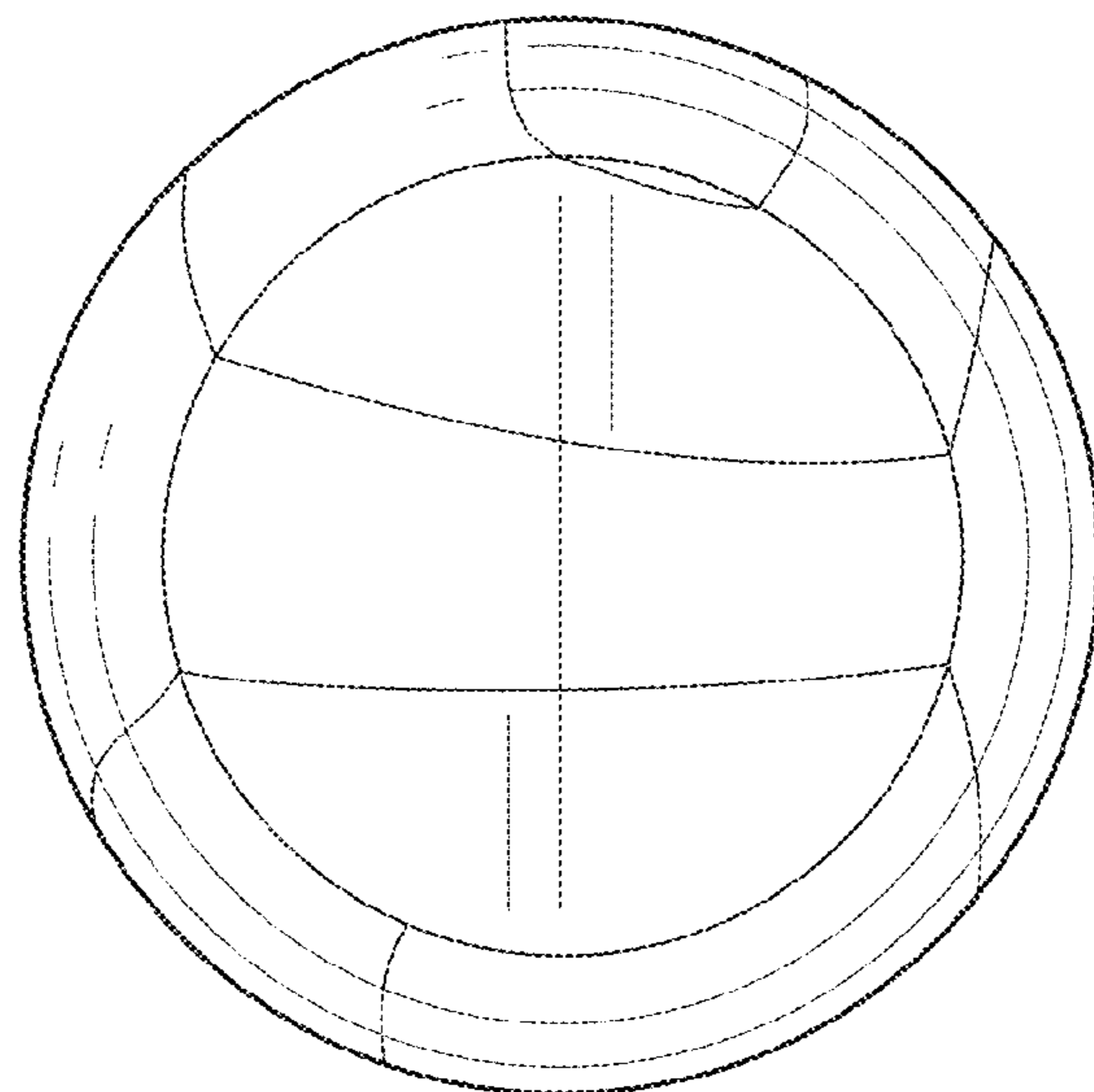


FIG. 7

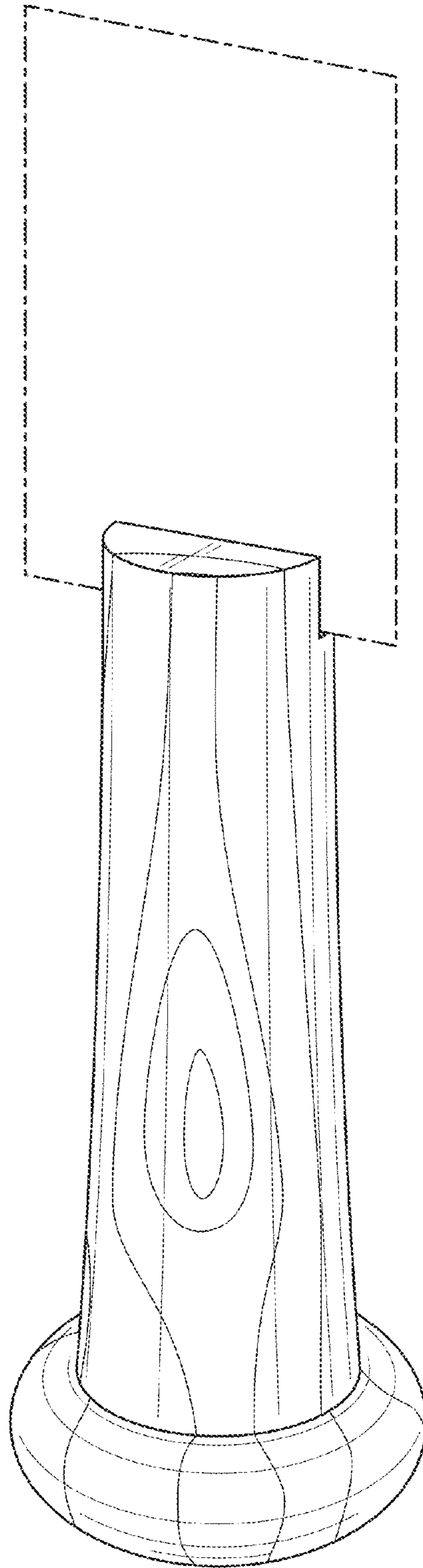


FIG. 8