



US00D721506S

(12) **United States Design Patent**
Schuler

(10) **Patent No.:** **US D721,506 S**
(45) **Date of Patent:** **** Jan. 27, 2015**

(54) **HAIR BRUSH**

FOREIGN PATENT DOCUMENTS

(71) Applicant: **Conair Corporation**, Stamford, CT
(US)

KR 142558 9/1993
KR 0224612 S * 7/1998

(Continued)

(72) Inventor: **Jason Scott Schuler**, New York, NY
(US)

OTHER PUBLICATIONS

(73) Assignee: **Conair Corporation**, Stamford, CT
(US)

Hong Kong Enterprise, Oct. 1999 Gifts & Stationary Section, Kai Fat
Brush Factory Ltd. Hairbrushes, p. 7.*

(Continued)

(**) Term: **14 Years**

(21) Appl. No.: **29/494,428**

Primary Examiner — Melanie H Tung

Assistant Examiner — Lavone D Tabor

(22) Filed: **Jun. 20, 2014**

(74) *Attorney, Agent, or Firm* — Carter, DeLuca, Farrell &
Schmidt, LLP

(51) **LOC (10) Cl.** **04-02**

(52) **U.S. Cl.**

USPC **D4/138**; D4/133

(58) **Field of Classification Search**

CPC A46B 1/00; A46B 3/00; A46B 3/20;
A46B 3/22; A46B 5/00; A46B 5/02; A46B
5/021; A46B 5/023; A46B 5/025; A46B
5/026; A46B 9/00; A46B 9/005; A46B 9/02;
A46B 9/023; A46B 9/025; A46B 9/026;
A46B 2200/00; A46B 2200/10; A46B
2200/102; A46B 2200/104; A46B 2200/1093
USPC D4/132–134, 136, 138; D7/393, 395,
D7/401.2; D8/107, 303; D28/10, 28, 30;
15/143.1, 159.1, 160, 186–188;
16/430; 132/119.1, 120, 142, 313;
D30/158, 159; 119/600, 612, 615, 625
See application file for complete search history.

(57) **CLAIM**

The ornamental design for the hair brush, as shown and
described.

DESCRIPTION

FIG. 1 is a perspective view of the hair brush in accordance
with the principles of the present disclosure;
FIG. 2 is a top plan view of the hair brush;
FIG. 3 is a side elevation view of the hair brush;
FIG. 4 is a front axial view of the hair brush;
FIG. 5 is a bottom plan view of the hair brush; and,
FIG. 6 is a rear axial view of the hair brush.
The broken line immediately adjacent the shaded area near
the distal end of the handle represents the bounds of the claim
and forms no part thereof while all of the other broken lines on
the handle and the broken lines showing the bristles illustrate
portions of the hair brush that form no part of the claimed
design.

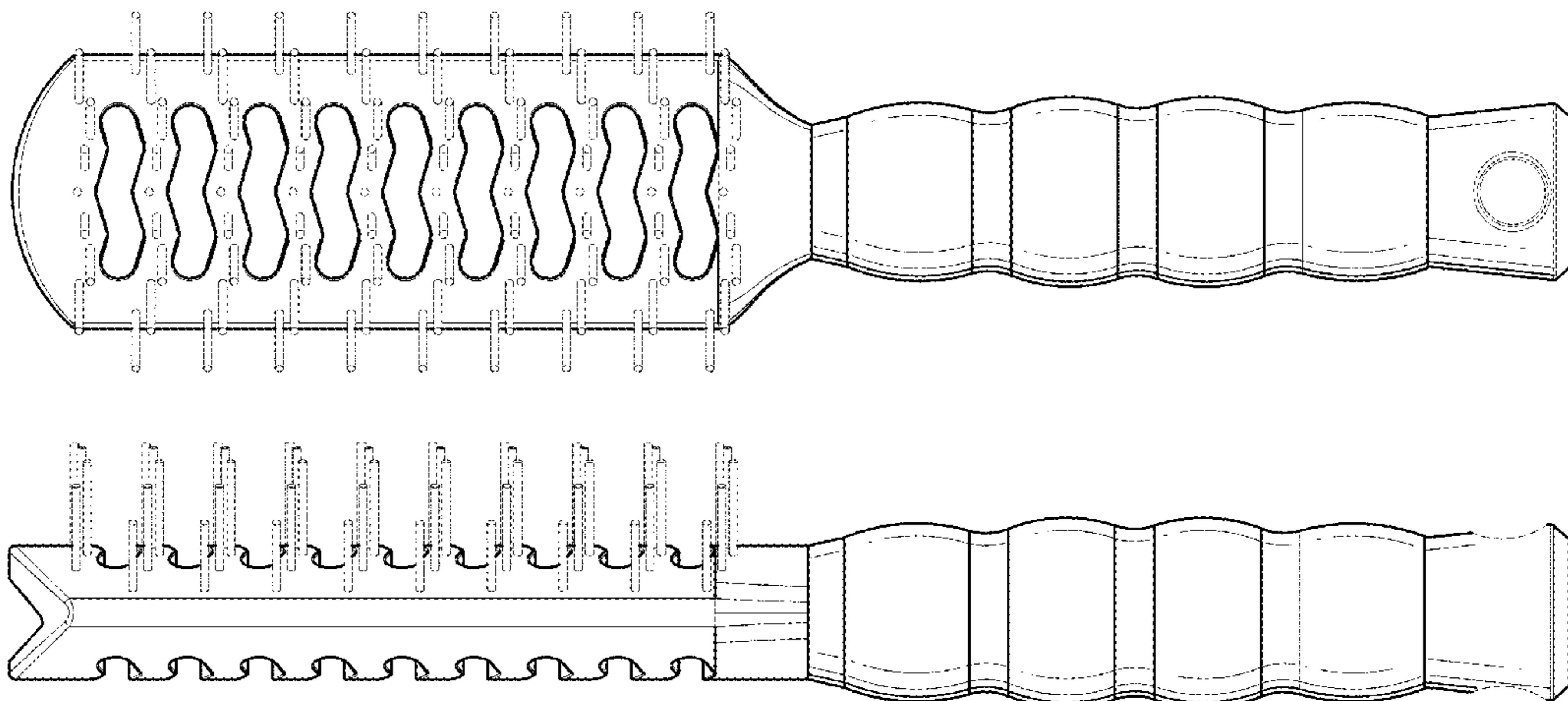
(56) **References Cited**

U.S. PATENT DOCUMENTS

D100,789 S 8/1936 O'Donoghue
D134,720 S 1/1943 Herschensohn
D171,735 S 3/1954 Schotland
D206,527 S * 12/1966 Montecalvo D30/159

(Continued)

1 Claim, 4 Drawing Sheets



(56)

References Cited

U.S. PATENT DOCUMENTS

D290,910 S * 7/1987 Steadman et al. D4/136
 D366,567 S * 1/1996 Gertsma et al. D4/136
 5,815,877 A 10/1998 Heneveld
 D417,553 S 12/1999 Davila
 D434,910 S 12/2000 Kim
 D435,172 S 12/2000 Hsieh
 D438,056 S * 2/2001 Lai D7/401.2
 D453,077 S 1/2002 Chen
 6,341,611 B1 1/2002 Nakamura
 D455,560 S 4/2002 Kim
 6,438,785 B1 8/2002 Smith
 6,817,053 B2 11/2004 Nakamura
 D504,572 S 5/2005 Kuo et al.
 D507,681 S 7/2005 Choi et al.
 D509,962 S 9/2005 Kampel et al.
 D513,129 S * 12/2005 Kampel et al. D4/133
 D513,883 S 1/2006 Kampel et al.
 D529,720 S 10/2006 Chang
 7,210,186 B2 5/2007 Bigio
 D543,704 S 6/2007 Leung

7,448,111 B2 11/2008 Bigio
 D625,473 S 10/2010 Matz et al.
 D627,974 S 11/2010 Chang
 8,181,304 B1 5/2012 Kamath
 D698,556 S 2/2014 Little
 D709,705 S 7/2014 Brown

FOREIGN PATENT DOCUMENTS

KR 30-0257795 5/2000
 KR 30-0348873 4/2004
 KR 30-0513233 12/2008
 KR 30-0736574 S * 4/2014

OTHER PUBLICATIONS

Ningbo Tofine Machinery Co. Ltd., © 2009, [online], Products Page, Professional Brushes, Rubber Painting Handle Item No. 9595PI-2NR, [retrieved on Sep. 6, 2014] Retrieved from the Internet using Web Archive: <URL:http://web.archive.org/web/*/http://www.kafat.com>.

* cited by examiner

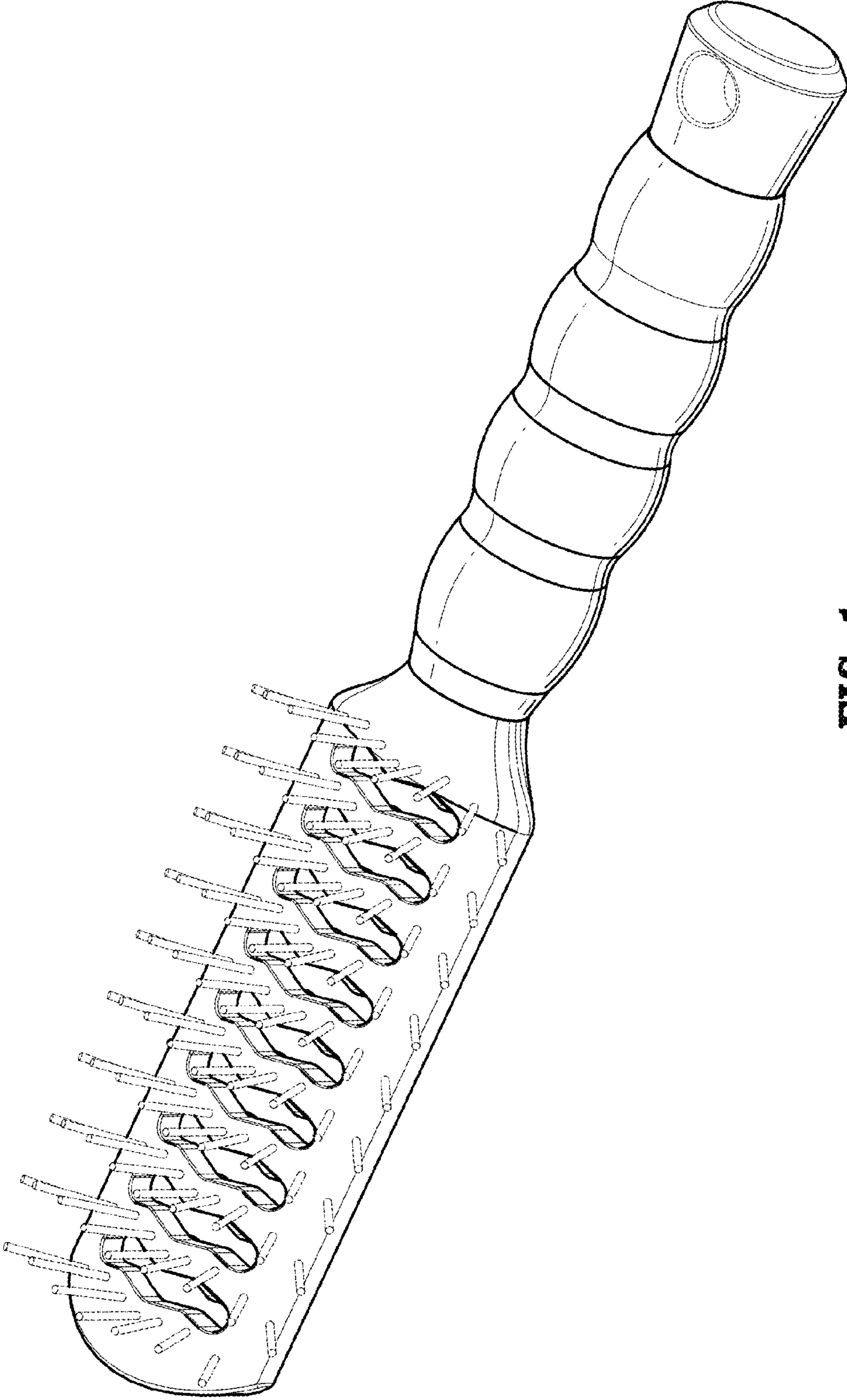


FIG. 1

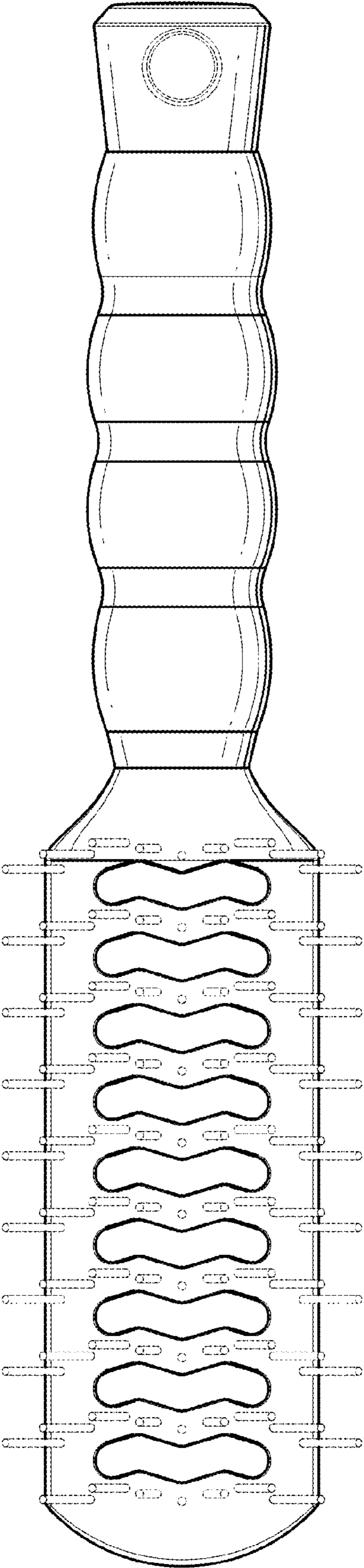


FIG. 2

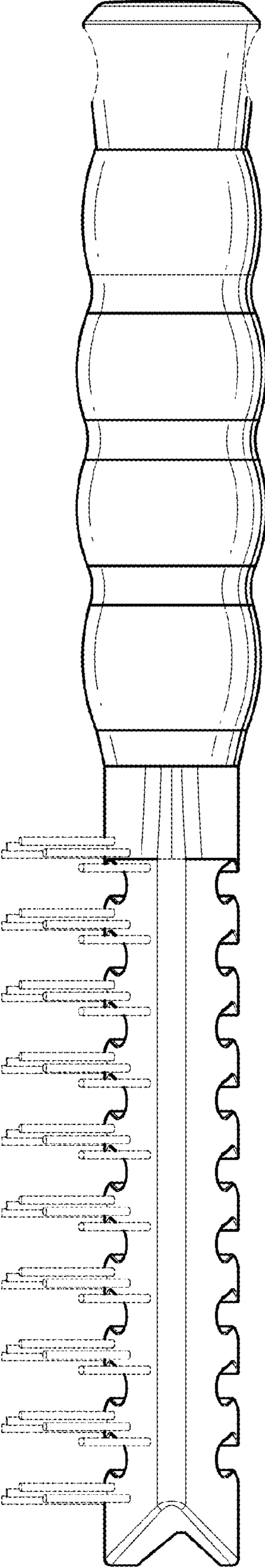


FIG. 3

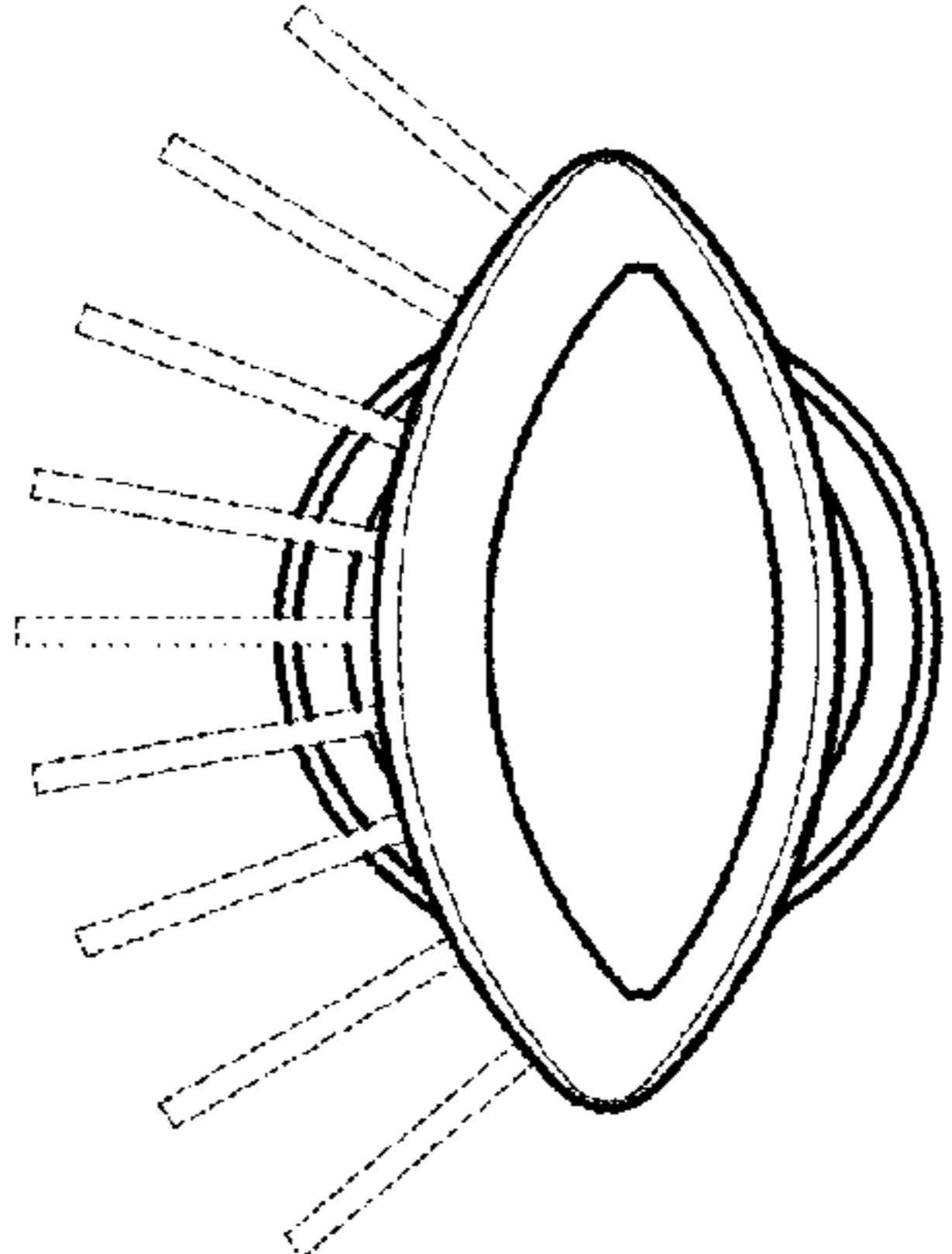


FIG. 4

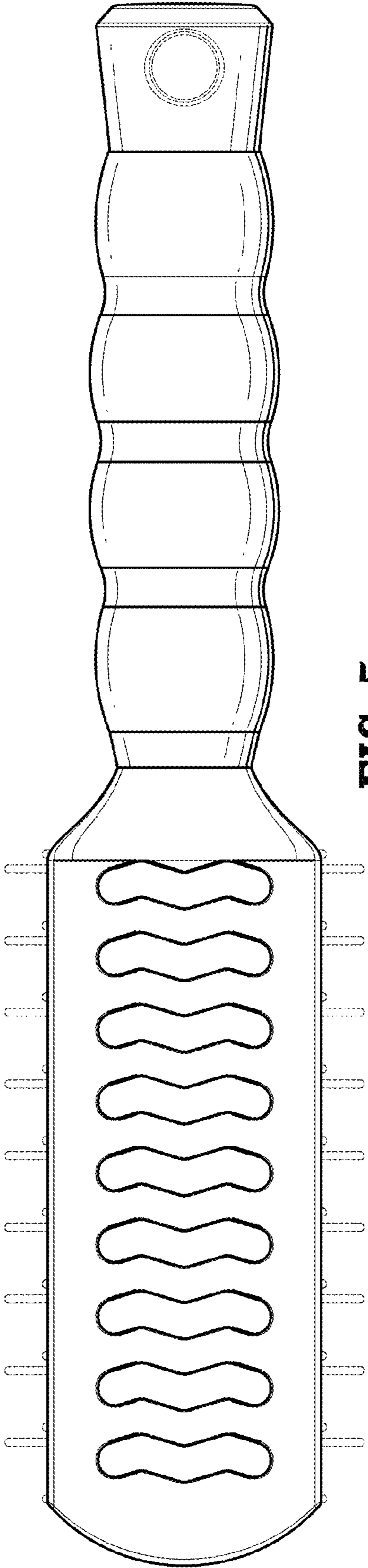


FIG. 5

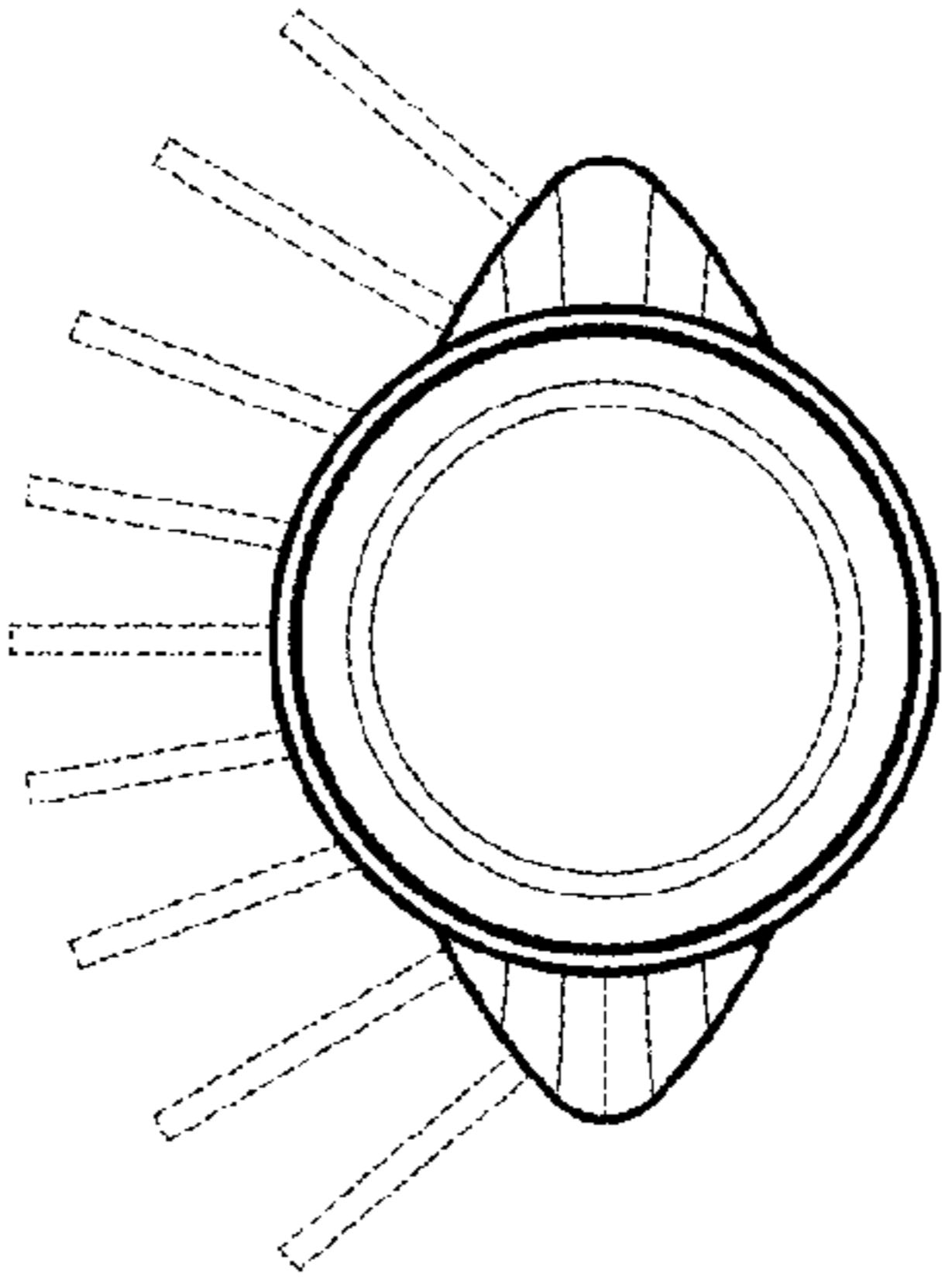


FIG. 6