



US00D721505S

(12) **United States Design Patent**
Schuler

(10) **Patent No.:** **US D721,505 S**
(45) **Date of Patent:** **** Jan. 27, 2015**

(54) **HAIR BRUSH**

(71) Applicant: **Conair Corporation**, Stamford, CT
(US)

(72) Inventor: **Jason Scott Schuler**, New York, NY
(US)

(73) Assignee: **Conair Corporation**, Stamford, CT
(US)

(**) Term: **14 Years**

(21) Appl. No.: **29/494,457**

(22) Filed: **Jun. 20, 2014**

(51) **LOC (10) Cl.** **04-02**

(52) **U.S. Cl.**
USPC **D4/128; D4/138**

(58) **Field of Classification Search**
CPC A46B 1/00; A46B 3/00; A46B 3/20;
A46B 3/22; A46B 5/00; A46B 5/02; A46B
5/021; A46B 5/023; A46B 5/025; A46B
5/026; A46B 9/00; A46B 9/005; A46B 9/02;
A46B 9/023; A46B 9/025; A46B 9/026;
A46B 2200/00; A46B 2200/10; A46B
2200/102; A46B 2200/104; A46B 2200/1093
USPC D4/132-134, 136, 138; D7/393, 395,
D7/401.2; D8/107, 303; D28/10, 28, 30,
D28/35, 37; 15/27, 143.1, 159.1, 160,
15/186-188; 16/430; 132/119.1, 120, 122,
132/226, 237, 238, 262, 313; D30/158,
D30/159; 119/600, 612, 615, 625
See application file for complete search history.

(56) **References Cited**

U.S. PATENT DOCUMENTS

D206,527 S * 12/1966 Montecalvo D30/159
D366,761 S * 2/1996 Gertsma et al. D4/128
5,911,226 A 6/1999 Vecchiola et al.

5,979,463 A 11/1999 Santy, III et al.
D422,793 S 4/2000 Levin et al.
6,047,704 A 4/2000 Giordano
6,070,597 A 6/2000 Motherhead

(Continued)

FOREIGN PATENT DOCUMENTS

KR 30-0736574 S * 3/2014

OTHER PUBLICATIONS

Lung Tain (Brothers) Co. Ltd., 2003 [online], Professional Hair-
brush—Item No. 1160M/N [retrieved on Sep. 7, 2014] Retrieved
from the Internet using Web Archive: <URL: http://web.archive.org/
web/*/http://www.lungtain.com>.*

Primary Examiner — Melanie H Tung

Assistant Examiner — Lavone D Tabor

(74) *Attorney, Agent, or Firm* — Carter, DeLuca, Farrell &
Schmidt, LLP

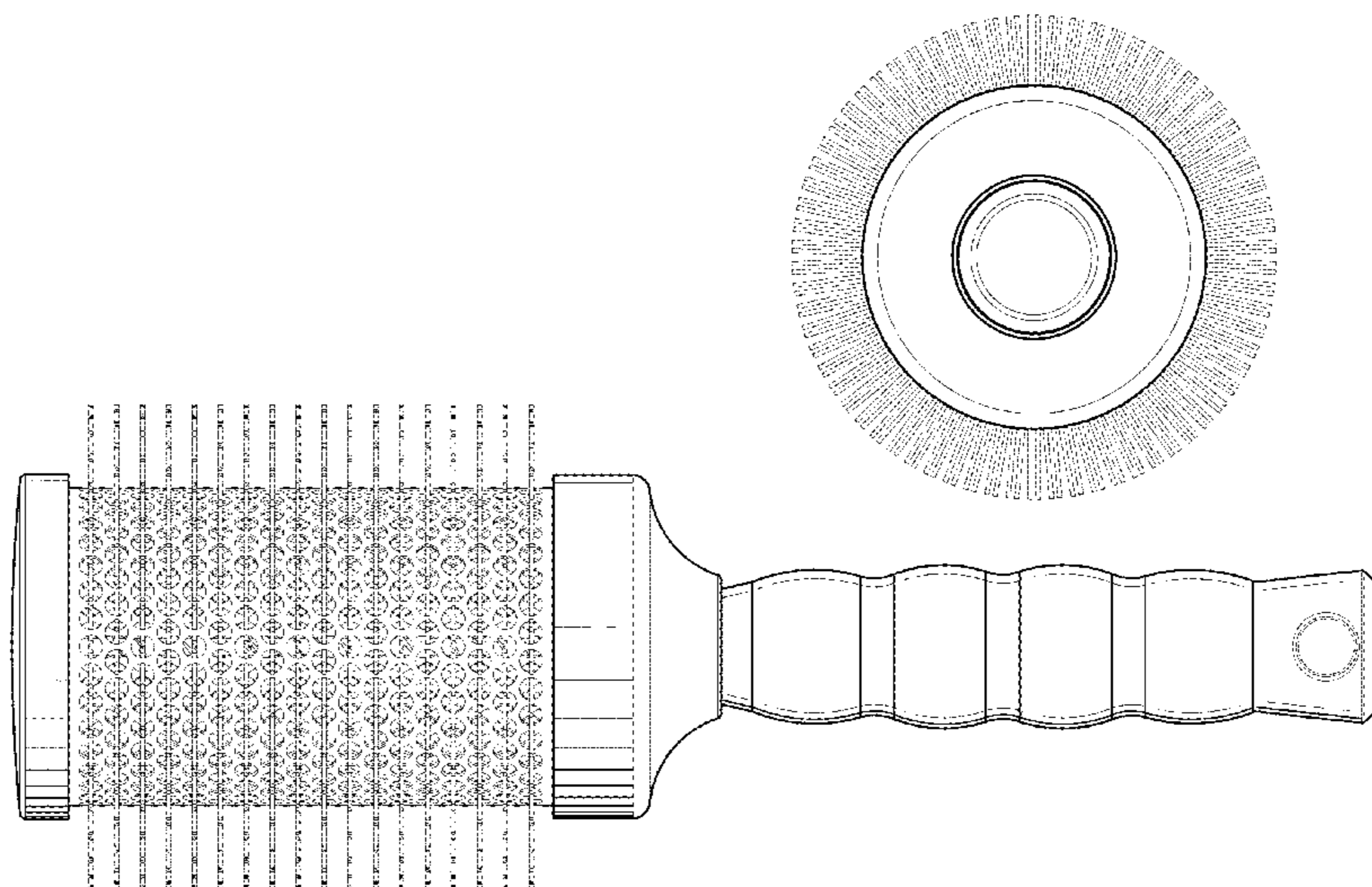
(57) **CLAIM**

The ornamental design for the hair brush, as shown and
described.

DESCRIPTION

FIG. 1 is a perspective view of the hair brush in accordance
with the principles of the present disclosure;
FIG. 2 is a rear axial view of the hair brush;
FIG. 3 is a first side elevation view of the hair brush;
FIG. 4 is a front axial view of the hair brush; and,
FIG. 5 is a second side elevation view of the hair brush.
The series of outer broken lines shown on the head and the
broken line immediately adjacent the shaded area near the
distal end of the handle represent the bounds of the claim and
form no part thereof while all of the other broken lines show-
ing parts of the head, the bristles, the structure within the
head, and parts of the handle illustrate portions of the hair
brush that form no part of the claimed design.

1 Claim, 3 Drawing Sheets



(56)

References Cited

U.S. PATENT DOCUMENTS

D438,056 S * 2/2001 Lai D7/401.2
 D453,077 S 1/2002 Chen
 6,647,582 B1 11/2003 Rechelbacher
 6,681,435 B2 1/2004 Wang
 6,739,016 B2 5/2004 Bigio
 6,817,053 B2 11/2004 Nakamura
 D507,681 S 7/2005 Choi et al.
 D510,192 S * 10/2005 Kampel et al. D4/128
 D510,811 S 10/2005 Kampel et al.
 D514,329 S 2/2006 Kampel et al.
 D529,720 S 10/2006 Chang
 D543,363 S 5/2007 Leung
 7,210,186 B2 5/2007 Bigio
 D557,017 S 12/2007 Kampel et al.

D562,004 S * 2/2008 Petruccelli, Sr. D4/128
 7,448,111 B2 11/2008 Bigio
 D621,163 S 8/2010 Renette
 D625,473 S 10/2010 Matz et al.
 D627,974 S 11/2010 Chang
 D631,665 S 2/2011 Shon
 7,930,793 B2 4/2011 Stydahr
 D652,219 S 1/2012 Park
 D653,038 S * 1/2012 Park D4/128
 D656,738 S 4/2012 Limongi et al.
 D658,892 S * 5/2012 Console D4/121
 D696,026 S 12/2013 Park
 D696,027 S 12/2013 Park
 D696,028 S 12/2013 Park
 D710,114 S 8/2014 Yao
 2014/0075694 A1 * 3/2014 Toh 15/160

* cited by examiner

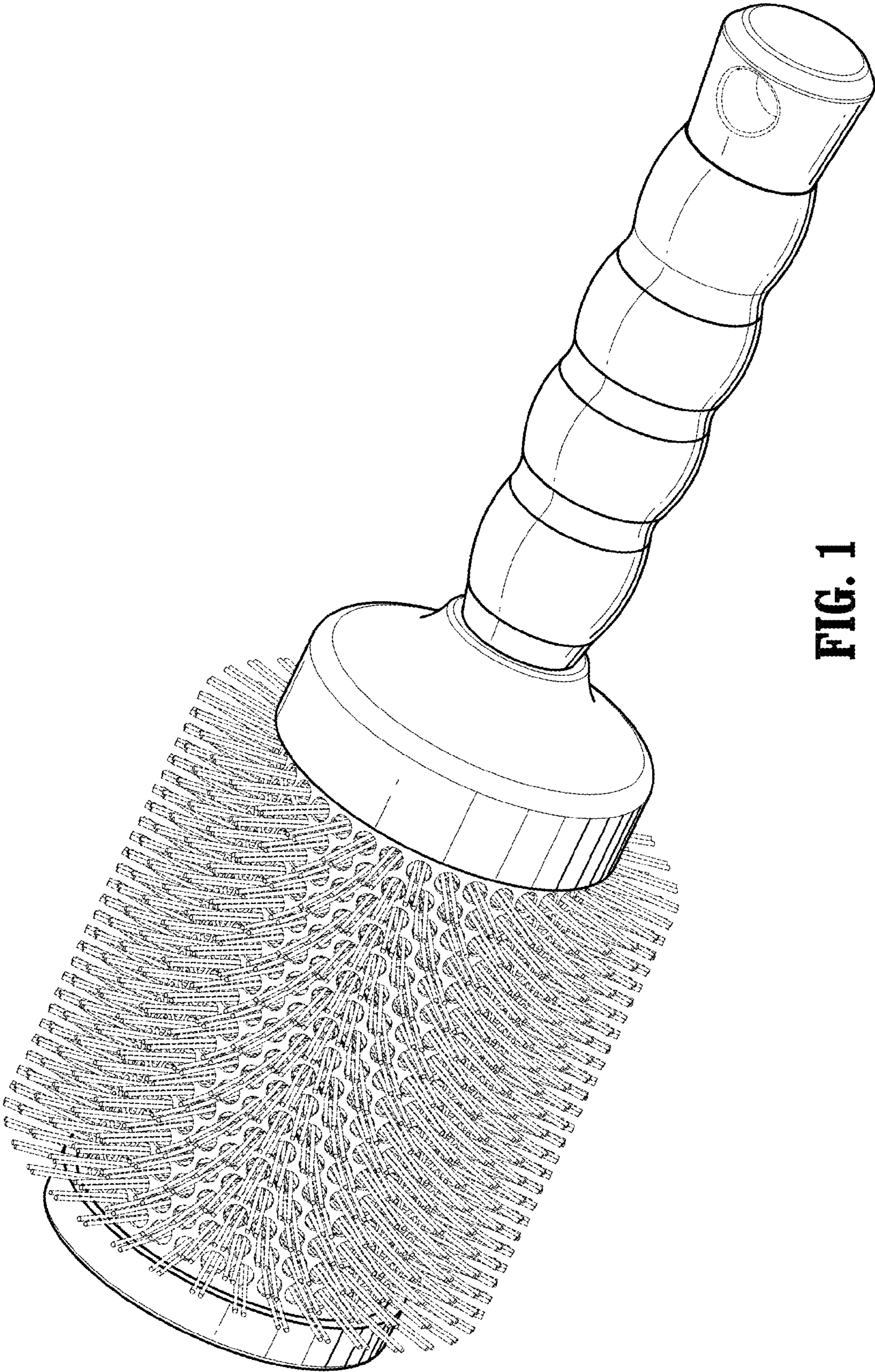


FIG. 1

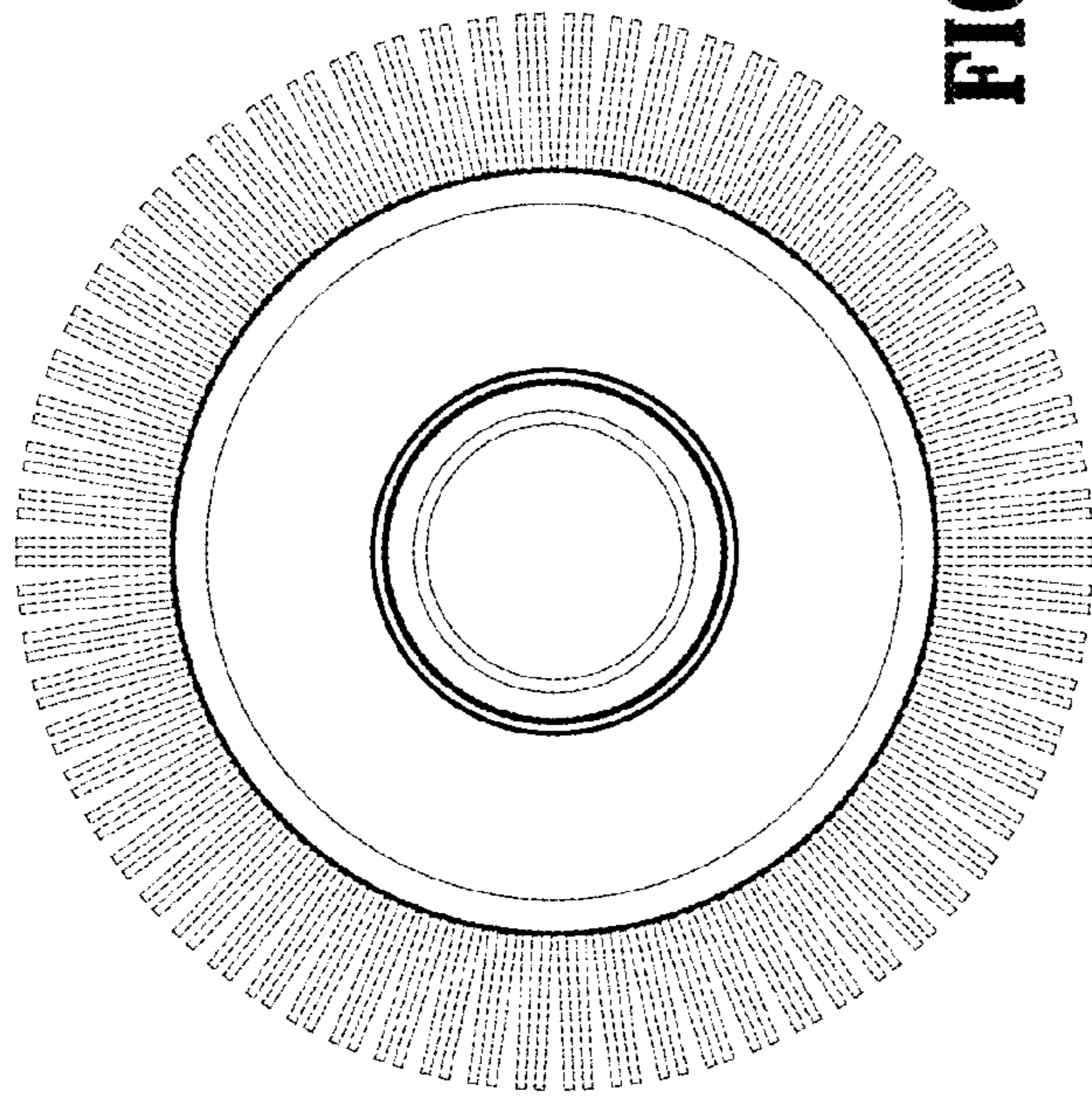


FIG. 2

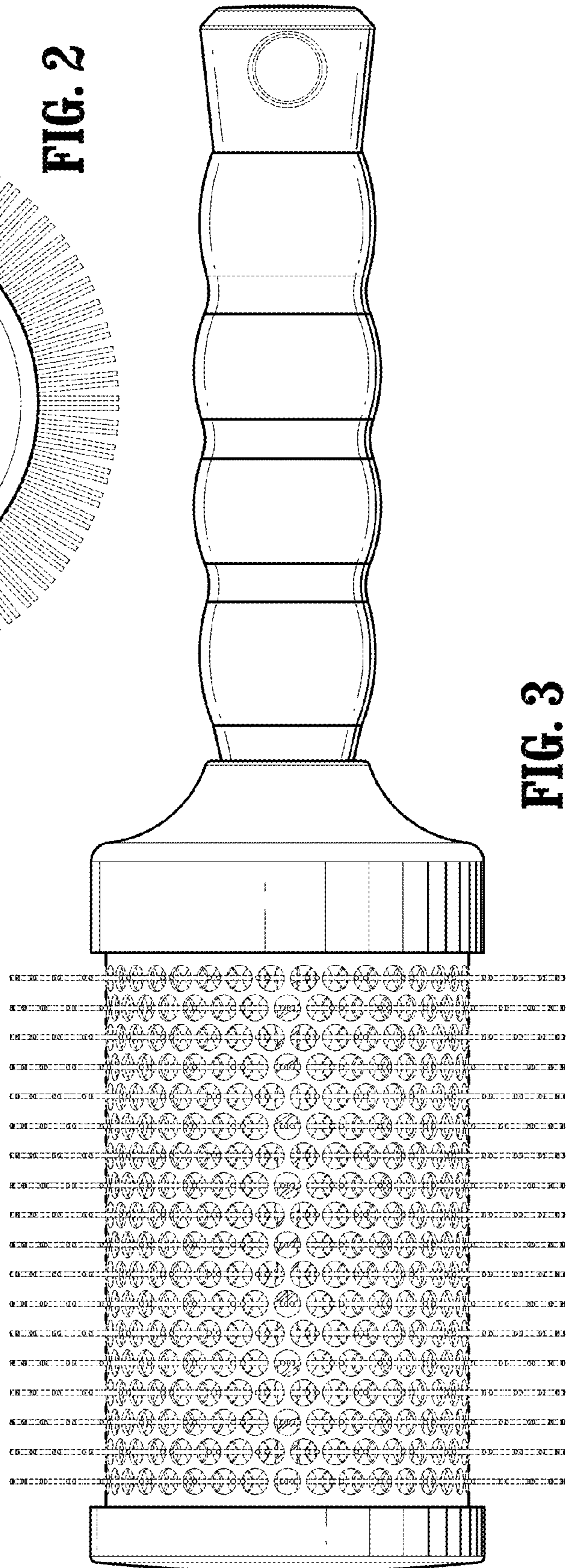


FIG. 3

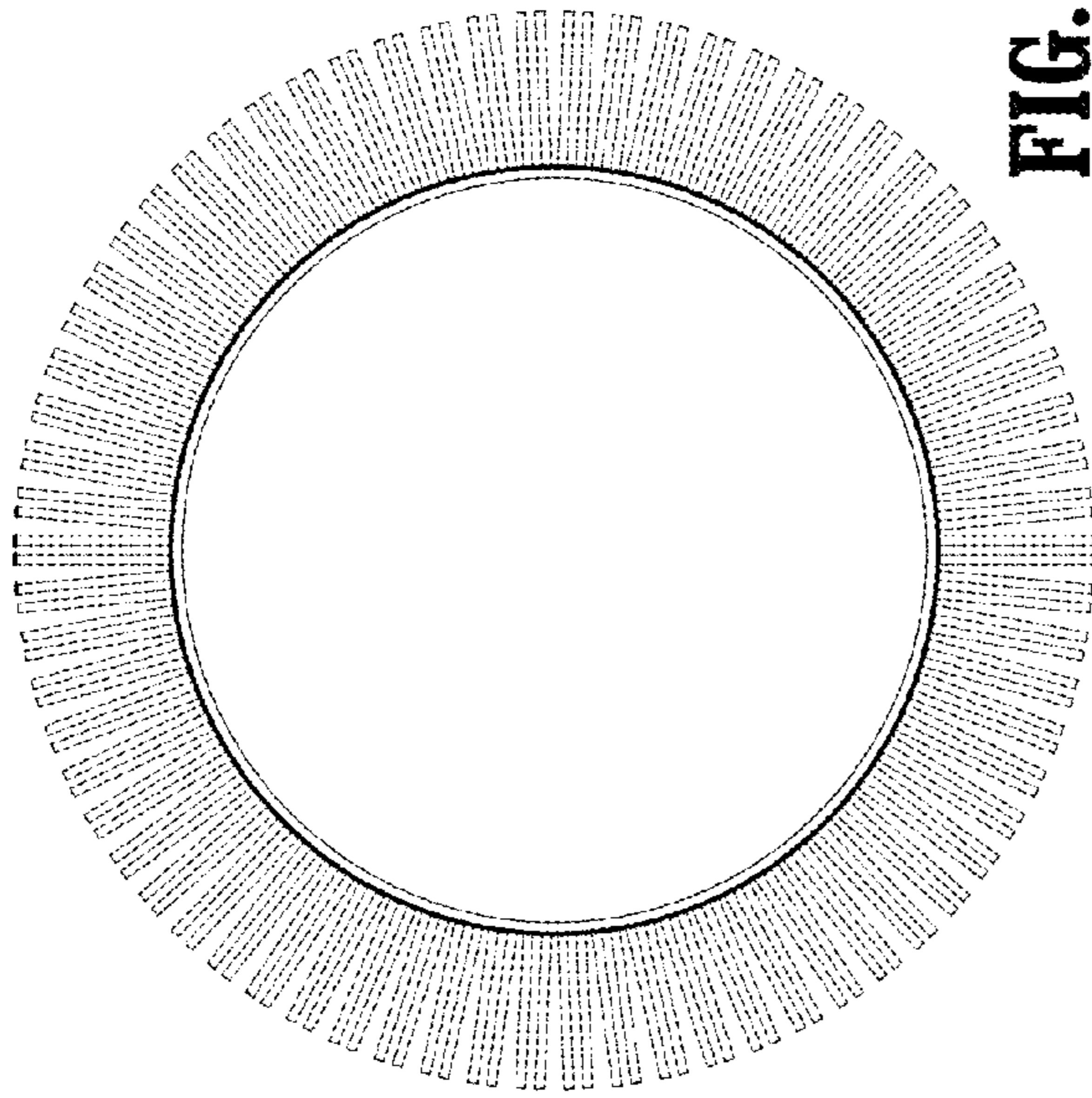


FIG. 4

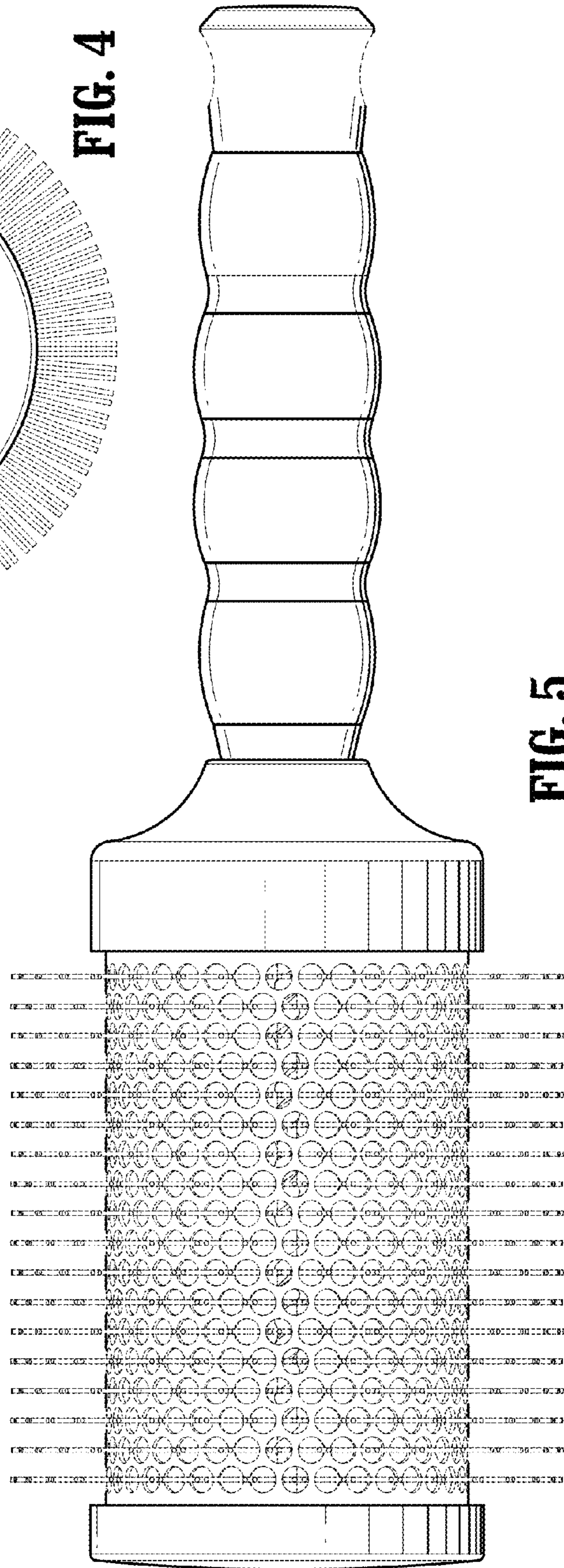


FIG. 5