



US00D721501S

(12) **United States Design Patent**  
**Parker**

(10) **Patent No.:** **US D721,501 S**  
(45) **Date of Patent:** **\*\* Jan. 27, 2015**

(54) **LUGGAGE WHEEL FORK**

(71) Applicant: **Samsonite IP Holdings S.ar.l.**,  
Luxembourg (LU)

(72) Inventor: **Garrett K. W. Parker**, Berkley, MA  
(US)

(73) Assignee: **Samsonite IP Holdings S.ar.l.**,  
Luxembourg (LU)

(\*\*) Term: **14 Years**

(21) Appl. No.: **29/484,613**

(22) Filed: **Mar. 11, 2014**

**Related U.S. Application Data**

(62) Division of application No. 29/427,647, filed on Jul.  
20, 2012, now Pat. No. Des. 703,442.

(51) **LOC (10) Cl.** ..... **03-01**

(52) **U.S. Cl.**  
USPC ..... **D3/318**

(58) **Field of Classification Search**  
USPC ..... D3/279, 299, 301, 303, 318, 319, 273,  
D3/289, 292, 294, 295, 296, 228; D9/424,  
D9/420; D27/189; 206/349; 220/833;  
312/902; 190/100; 150/100, 107, 118  
See application file for complete search history.

(56) **References Cited**

**U.S. PATENT DOCUMENTS**

4,084,288	A	4/1978	Black	
D359,676	S *	6/1995	Liang	D8/375
5,634,538	A	6/1997	Tsai	
D421,338	S	3/2000	Moon	
D434,904	S	12/2000	Huang	
6,193,324	B1 *	2/2001	Chang	301/111.05
D438,382	S	3/2001	Chang	
D439,410	S	3/2001	Chang	
6,256,835	B1	7/2001	Wang	

D448,278	S *	9/2001	Chi	D8/375
D448,826	S *	10/2001	Galy	D21/779
6,322,156	B1 *	11/2001	Kuo	301/111.01
6,354,412	B1	3/2002	Kuo	
D470,748	S	2/2003	Tsai	
D473,379	S	4/2003	Moon	
D481,931	S	11/2003	Chi	
D482,265	S	11/2003	Wicha	
D484,028	S	12/2003	Moon	

(Continued)

**OTHER PUBLICATIONS**

U.S. Appl. No. 29/440,204, filed Dec. 19, 2012, Parker.

(Continued)

*Primary Examiner* — Sandra Snapp

(74) *Attorney, Agent, or Firm* — Dorsey & Whitney LLP

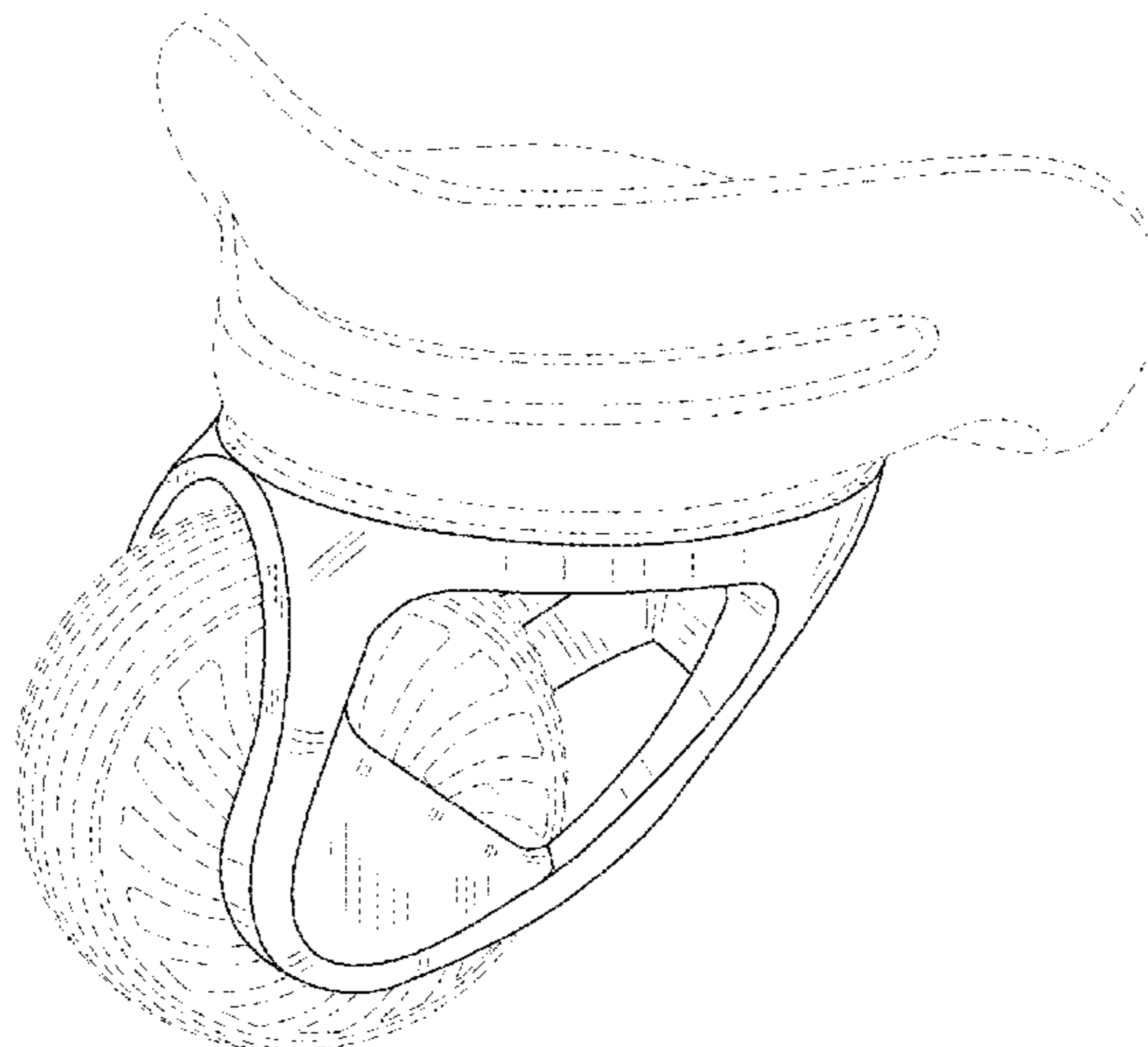
(57) **CLAIM**

The ornamental design for a luggage wheel fork, as shown and described.

**DESCRIPTION**

FIG. 1 shows a front perspective view of a luggage wheel fork;  
 FIG. 2 shows a front elevation view of the luggage wheel fork of FIG. 1;  
 FIG. 3 shows a right elevation view of the luggage wheel fork of FIG. 1;  
 FIG. 4 shows a rear elevation view of the luggage wheel fork of FIG. 1;  
 FIG. 5 shows a left elevation view of the luggage wheel fork of FIG. 1;  
 FIG. 6 shows a top view of the luggage wheel fork of FIG. 1;  
 and,  
 FIG. 7 shows a bottom view of the luggage wheel fork of FIG. 1.  
 The dashed lines in FIGS. 1-7 show the environment of the luggage wheel fork and form no part of the claimed invention.

**1 Claim, 7 Drawing Sheets**



(56)

**References Cited**

U.S. PATENT DOCUMENTS

D487,348 S 3/2004 Fenton et al.  
D491,365 S 6/2004 Proot  
D492,894 S 7/2004 Cheng  
D496,259 S 9/2004 Cheng  
D505,316 S \* 5/2005 Topel ..... D8/375  
D513,560 S 1/2006 Neumann  
D525,033 S 7/2006 Neumann  
D539,543 S 4/2007 Wu  
D550,950 S 9/2007 Vanderminde  
D557,900 S \* 12/2007 Sijmons ..... D3/318  
D575,512 S 8/2008 Moon  
D575,957 S 9/2008 Scicluna et al.  
D576,407 S 9/2008 Moon  
7,437,801 B2 10/2008 Dahl  
D581,161 S 11/2008 Tong

D582,160 S 12/2008 Sijmons  
D582,678 S 12/2008 Rekuc  
7,506,404 B2 3/2009 Block et al.  
D592,490 S 5/2009 Frame  
D603,163 S 11/2009 Van Himbeeck  
7,832,533 B2 11/2010 Selvi  
D633,299 S \* 3/2011 Moon ..... D3/318  
8,020,679 B2 9/2011 Wu  
D659,395 S 5/2012 Sijmons  
2010/0230223 A1 9/2010 Wu  
2014/0041978 A1 2/2014 Chang  
2014/0110204 A1 4/2014 Wu

OTHER PUBLICATIONS

U.S. Appl. No. 29/427,647, filed Jul. 20, 2012, Parker.  
U.S. Appl. No. 29/484,616, filed Mar. 11, 2014, Parker.

\* cited by examiner

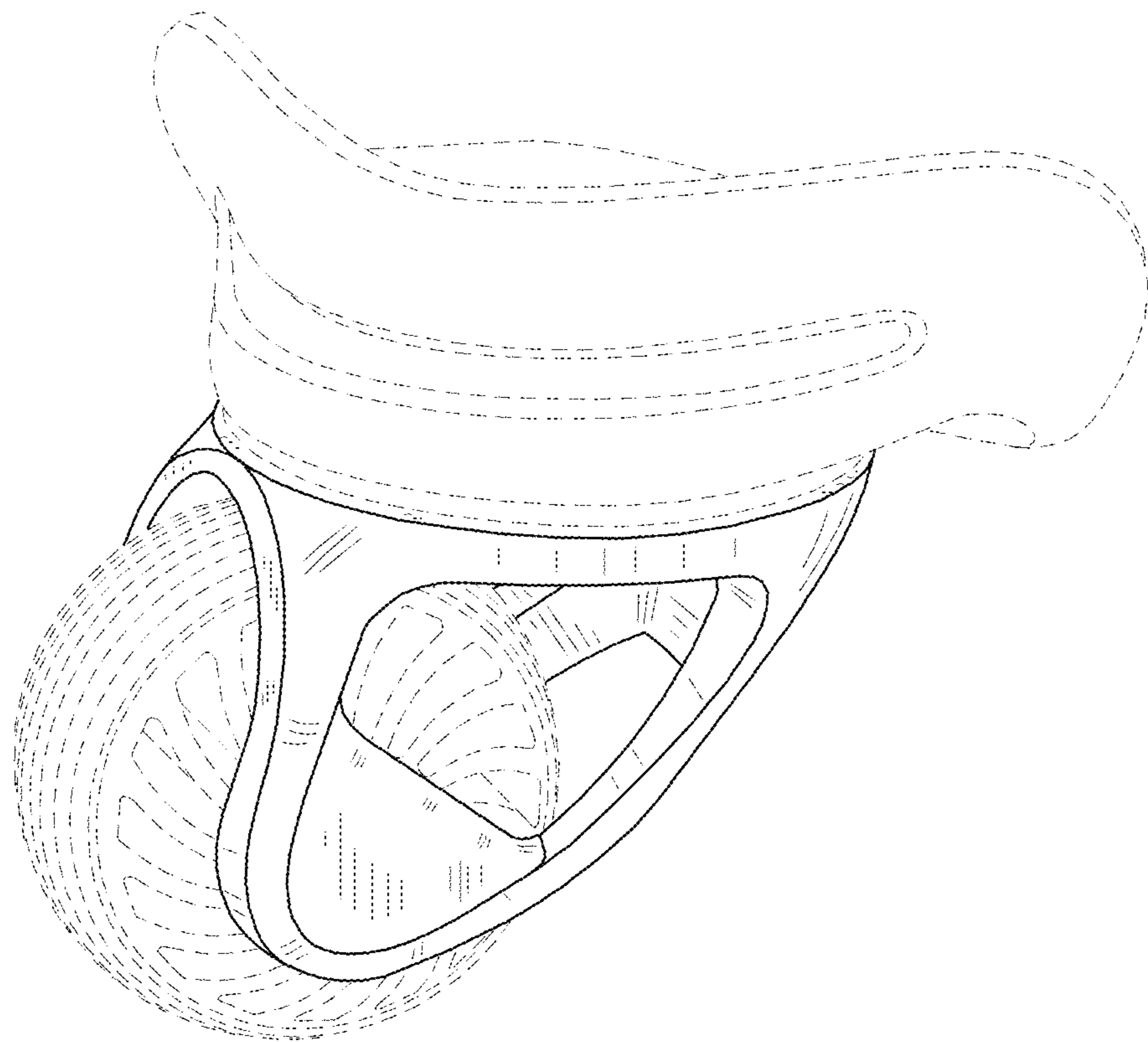


FIG. 1

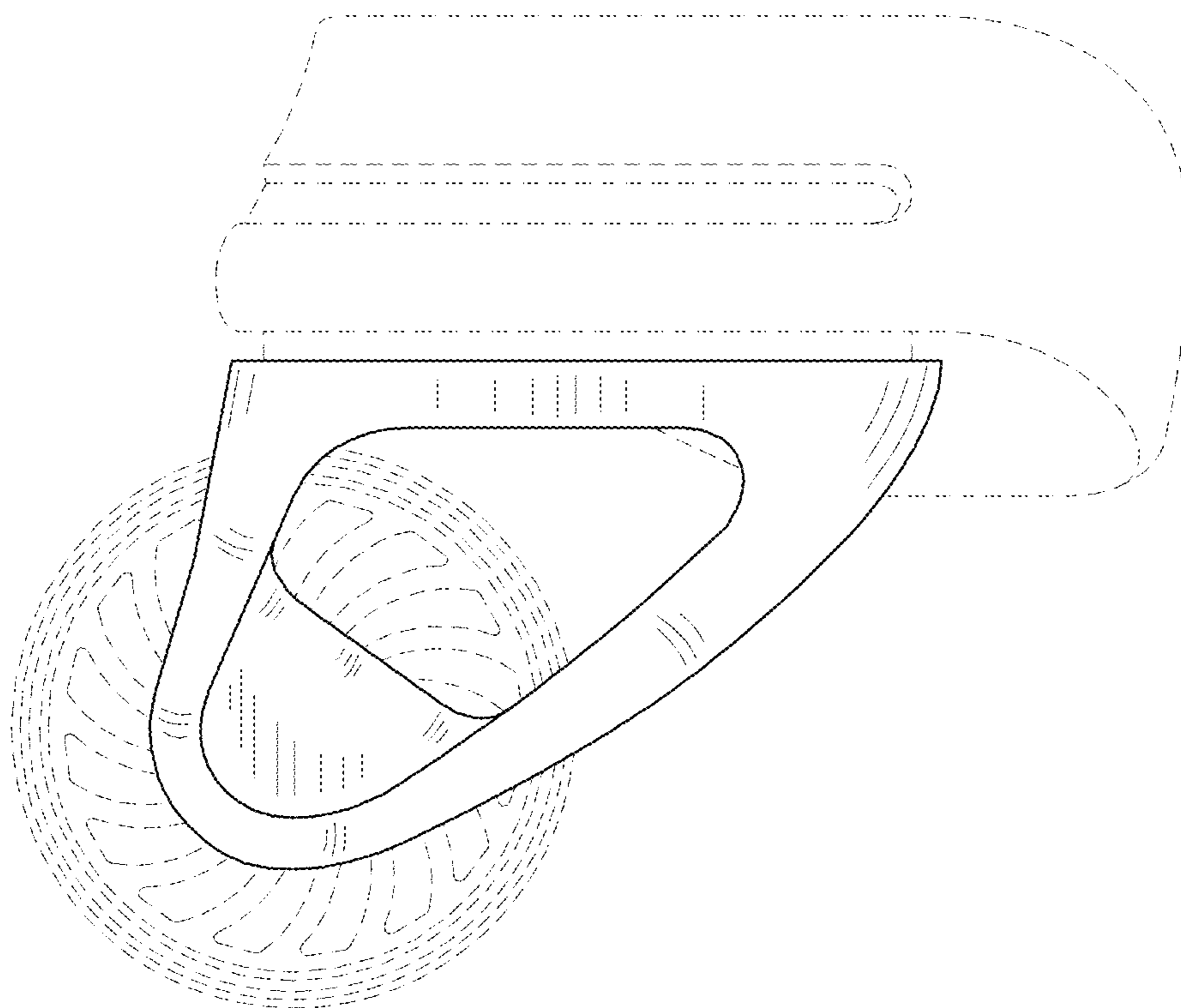


FIG. 2

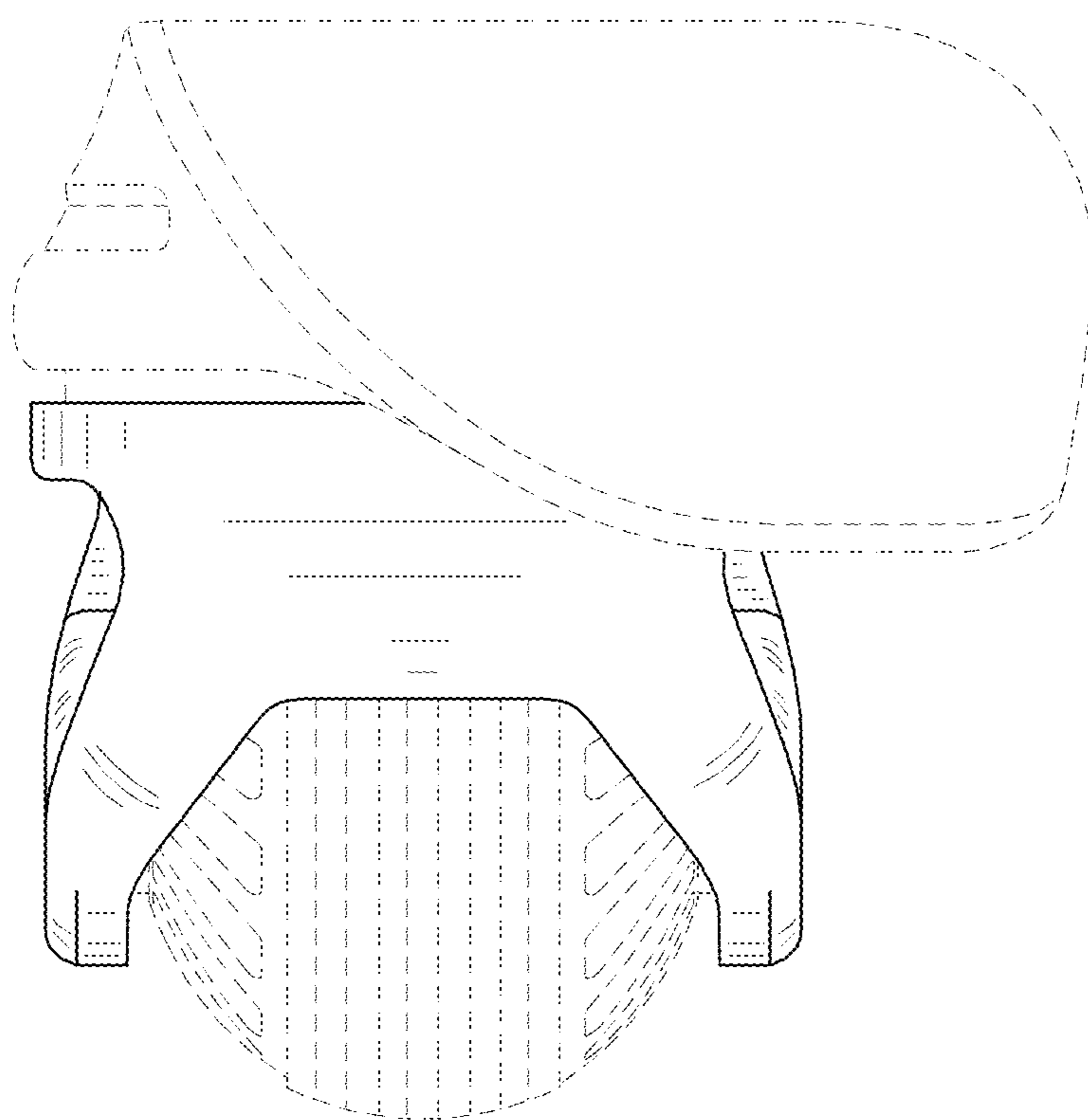


FIG. 3

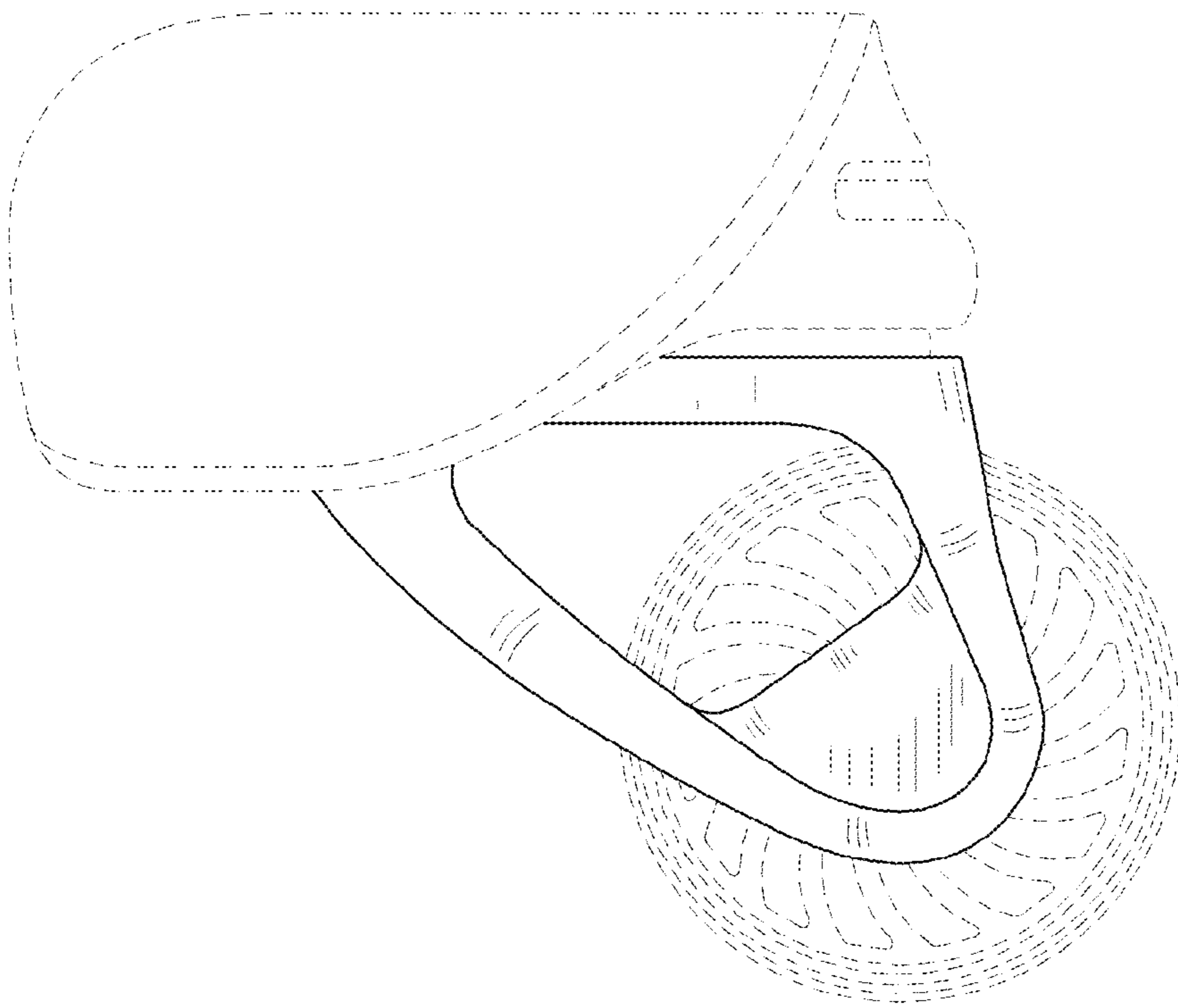


FIG. 4

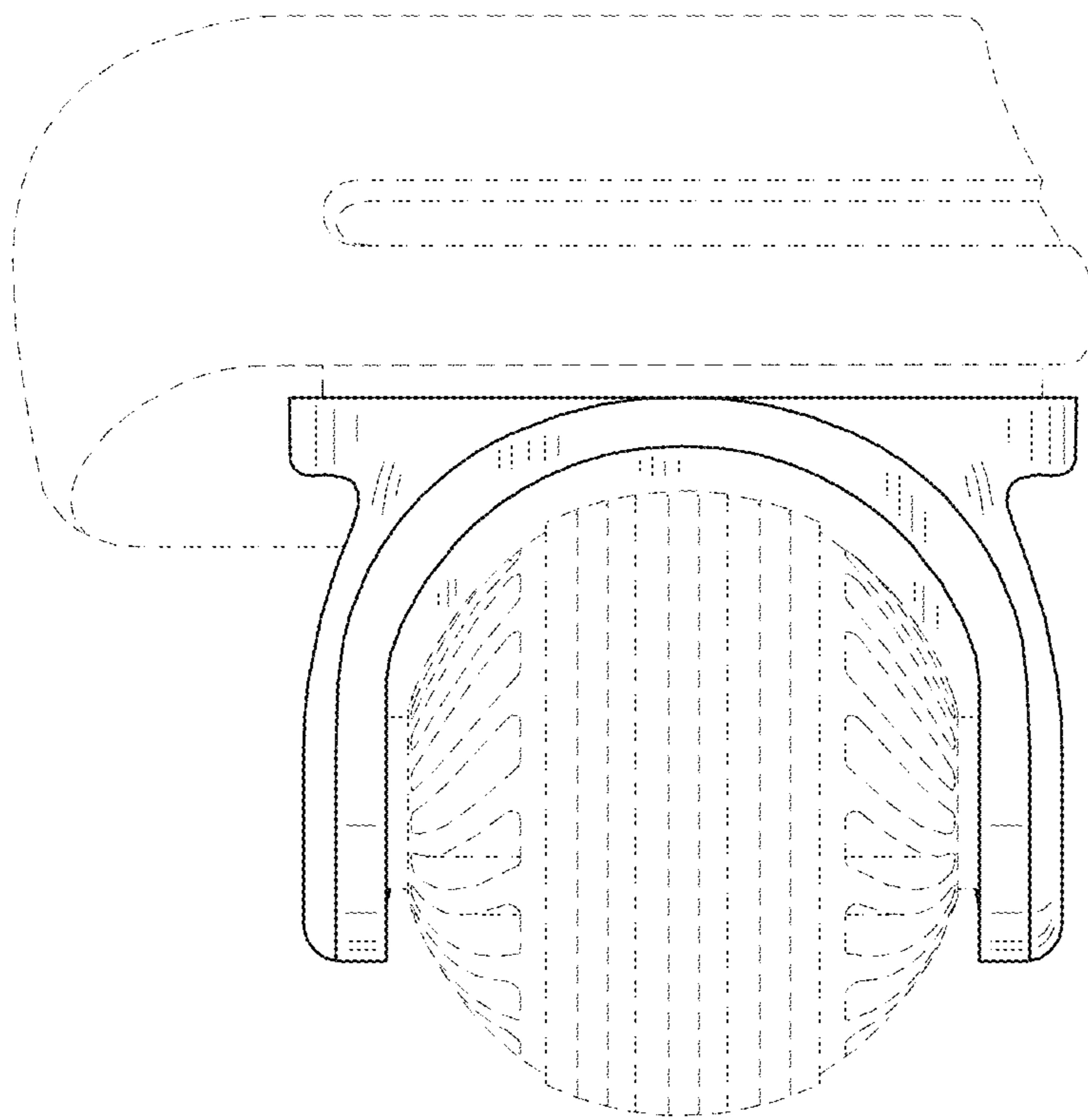


FIG. 5

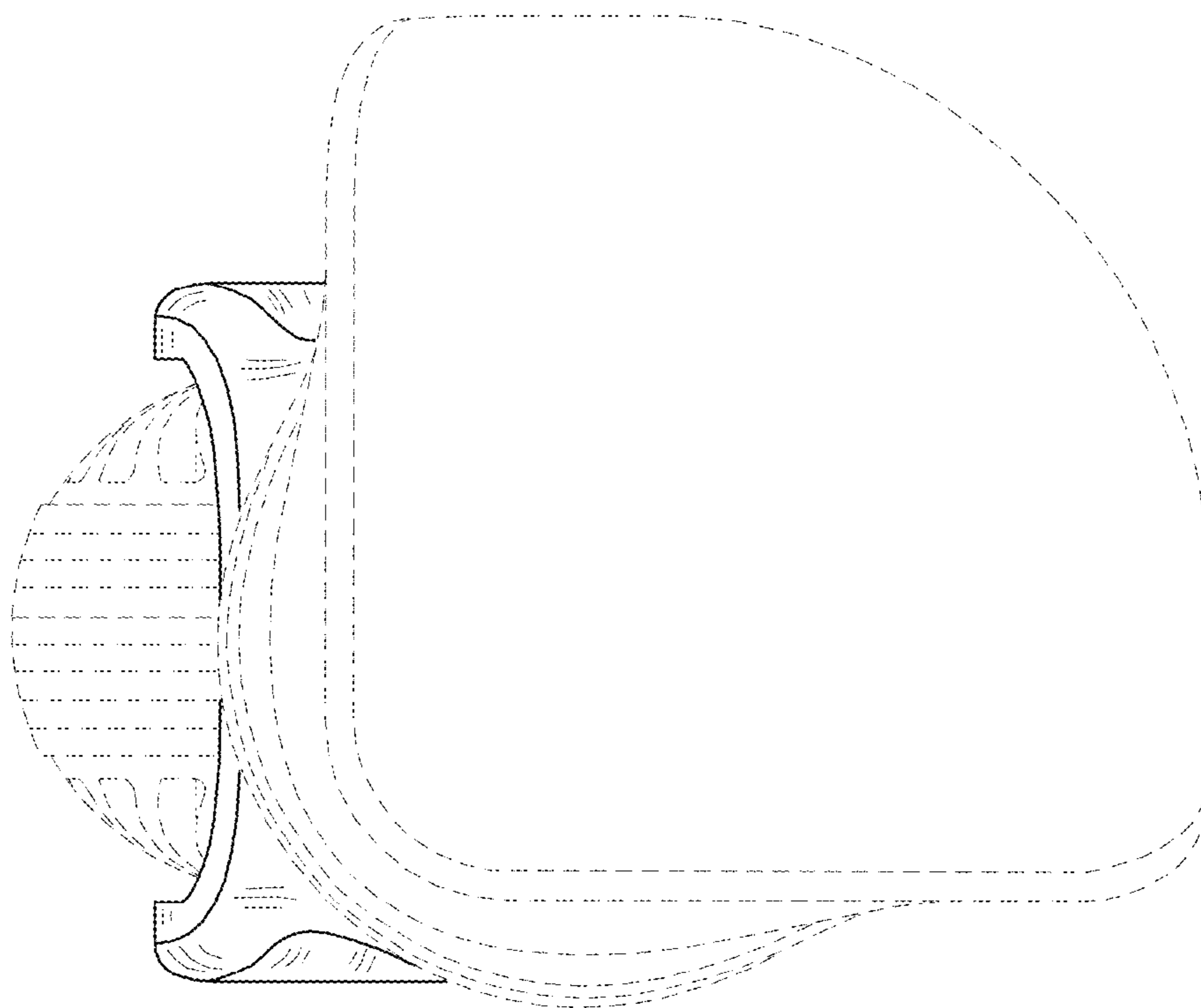


FIG. 6



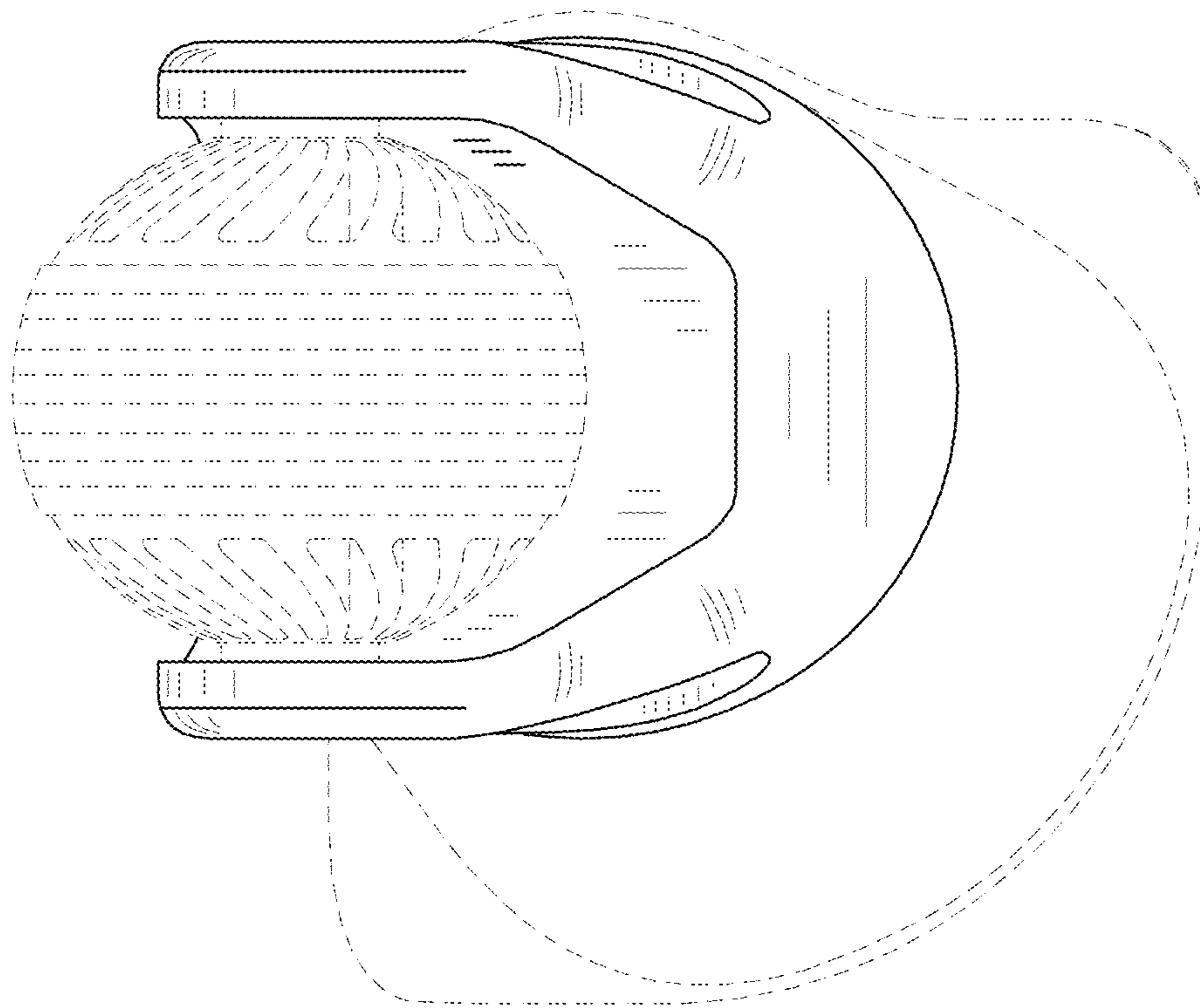


FIG. 7