



US00D721498S

(12) **United States Design Patent**
Holt

(10) **Patent No.:** **US D721,498 S**
(45) **Date of Patent:** **** Jan. 27, 2015**

- (54) **GOLF BAG ATTACHMENT**
- (71) Applicant: **Gregory V. Holt**, Beaverton, OR (US)
- (72) Inventor: **Gregory V. Holt**, Beaverton, OR (US)
- (**) Term: **14 Years**
- (21) Appl. No.: **29/445,559**
- (22) Filed: **Feb. 13, 2013**

D628,052 S * 11/2010 Carl D8/367
 D666,083 S * 8/2012 Mackay D8/367
 8,776,846 B1 * 7/2014 Thompson et al. 150/147

OTHER PUBLICATIONS

iBraggiotti, "Golf Bag Hinged Money Clip in Non Metal," downloaded from <http://www.ibraggiotti.com/catalog/product/view/id/161817?gclid=CKXe-peM5rUCFYpDMgod51AAAnQ>, 2 pp. (document not dated, downloaded on Mar. 5, 2013, believed to be posted online prior to Nov. 19, 2012).

(Continued)

Related U.S. Application Data

- (63) Continuation-in-part of application No. 29/437,572, filed on Nov. 19, 2012.
- (51) **LOC (10) Cl.** **03-01**
- (52) **U.S. Cl.**
USPC **D3/318**
- (58) **Field of Classification Search**
CPC A47F 3/00; A47F 5/00; A47H 1/10
USPC D3/318, 328; D8/367; D6/323;
206/315.2-318.8; 248/301-304
See application file for complete search history.

Primary Examiner — Holly Baynham

(74) *Attorney, Agent, or Firm* — Klarquist Sparkman, LLP

(57) **CLAIM**

I claim the ornamental design for a golf bag attachment, as shown and described.

DESCRIPTION

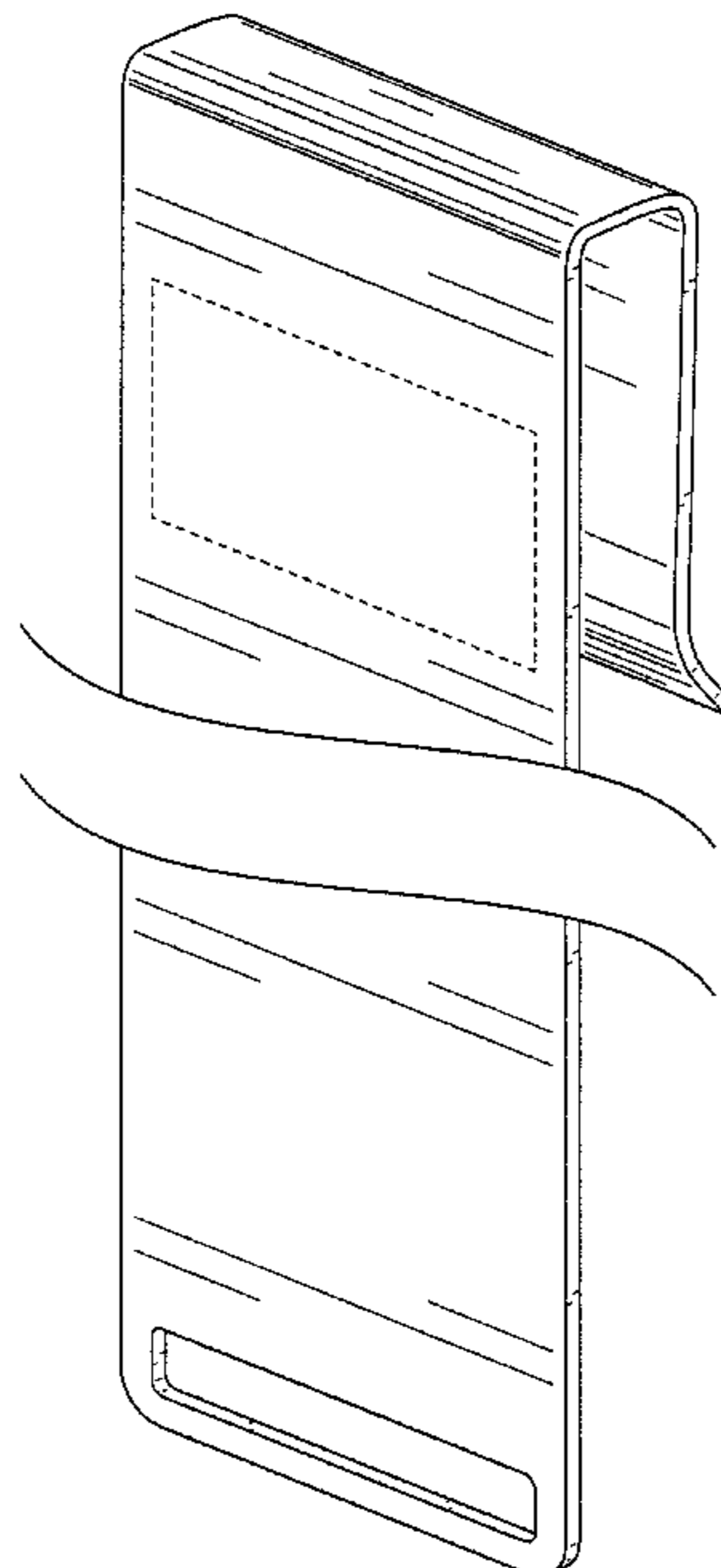
FIG. 1 is a perspective view of a golf bag attachment according to one embodiment.
 FIG. 2 is a front elevation view of the golf bag attachment of FIG. 1.
 FIG. 3 is a rear elevation view of the golf bag attachment of FIG. 1.
 FIG. 4 is a side elevation view of the golf bag attachment of FIG. 1, the opposite side being a mirror image thereof.
 FIG. 5 is a top plan view of the golf bag attachment of FIG. 1; and,
 FIG. 6 is a bottom plan view of the golf bag attachment of FIG. 1.
 The broken lines showing ornamentation are for the purposes of illustrating environment and form no part of the claimed design.

(56) **References Cited**

U.S. PATENT DOCUMENTS

D342,889	S	*	1/1994	Adams	D8/367
D403,958	S		1/1999	Stepak		
D465,724	S	*	11/2002	Goodman et al.	D8/367
D517,323	S	*	3/2006	Raimondo et al.	D3/328
7,267,147	B2		9/2007	Tiscione		
D573,796	S		7/2008	Reynolds		
D584,939	S	*	1/2009	Snell	D8/367
D607,210	S		1/2010	Reynolds		
D607,211	S		1/2010	Reynolds		
D613,589	S	*	4/2010	Goodman et al.	D8/367

1 Claim, 5 Drawing Sheets



(56)

References Cited

OTHER PUBLICATIONS

Clubs and Sticks, "Orlimar Golf Bag Clip Putter Holder," downloaded from <http://www.clubsandsticks.com/p-1414-orlimar-golf-bag-clip-putter-holder.aspx?cagspn=pla&gclid=CNb0qcCM5rUCFe0WMgod2VcA0w>, 2 pp. (document not dated, downloaded on Mar. 5, 2013, believed to be posted online prior to Nov. 19, 2012).

Buybits, "Buybits Golf Bag Clip Phone Mount Fits the Apple iPhone 3G and 3Gs Smartphones in Cases or Skins," downloaded from <http://www.amazon.com/Buybits-Phone-Mount-iPhone-Smartphones/dp/B004Y3XEIE>, 4 pp. (document not dated, downloaded on Mar. 5, 2013, believed to be posted online prior to Nov. 19, 2012).

* cited by examiner

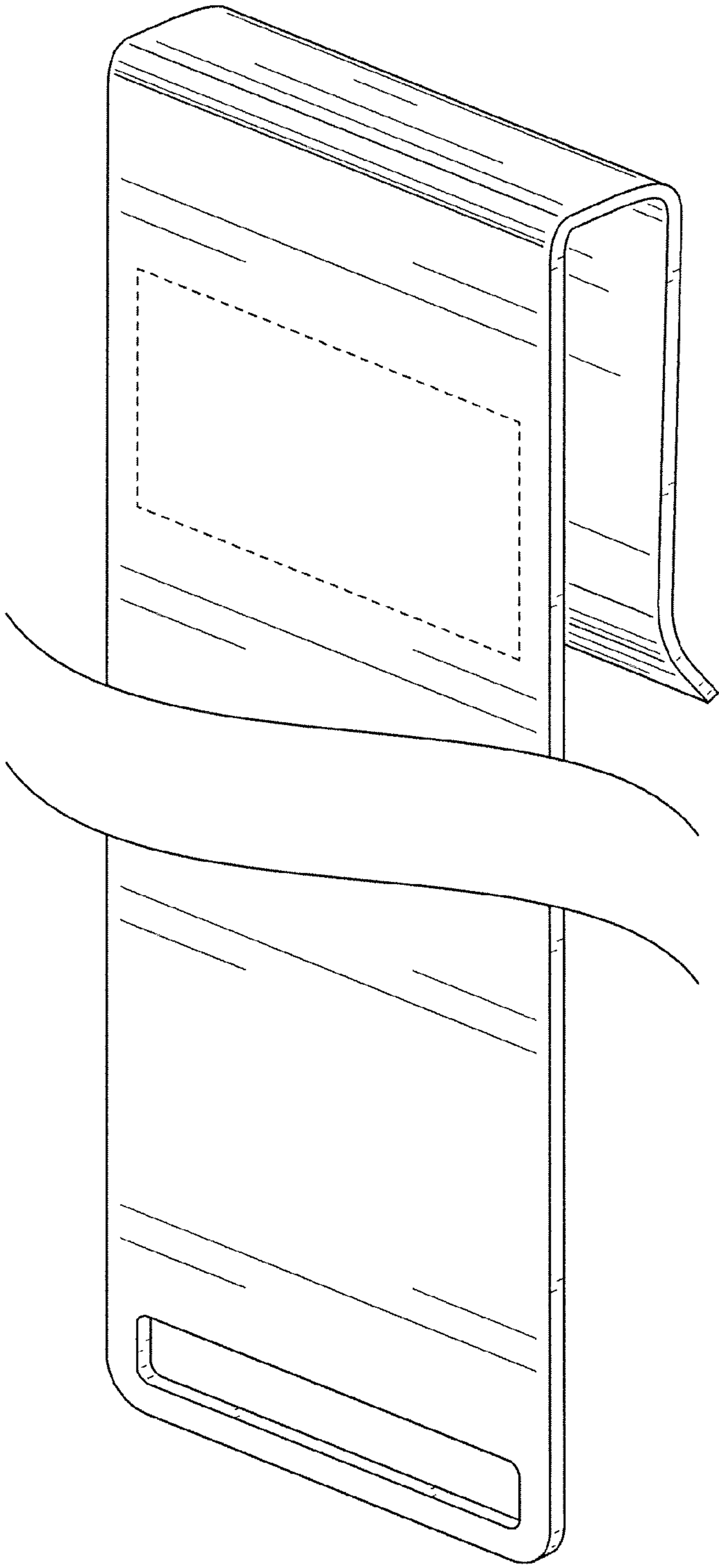


FIG. 1

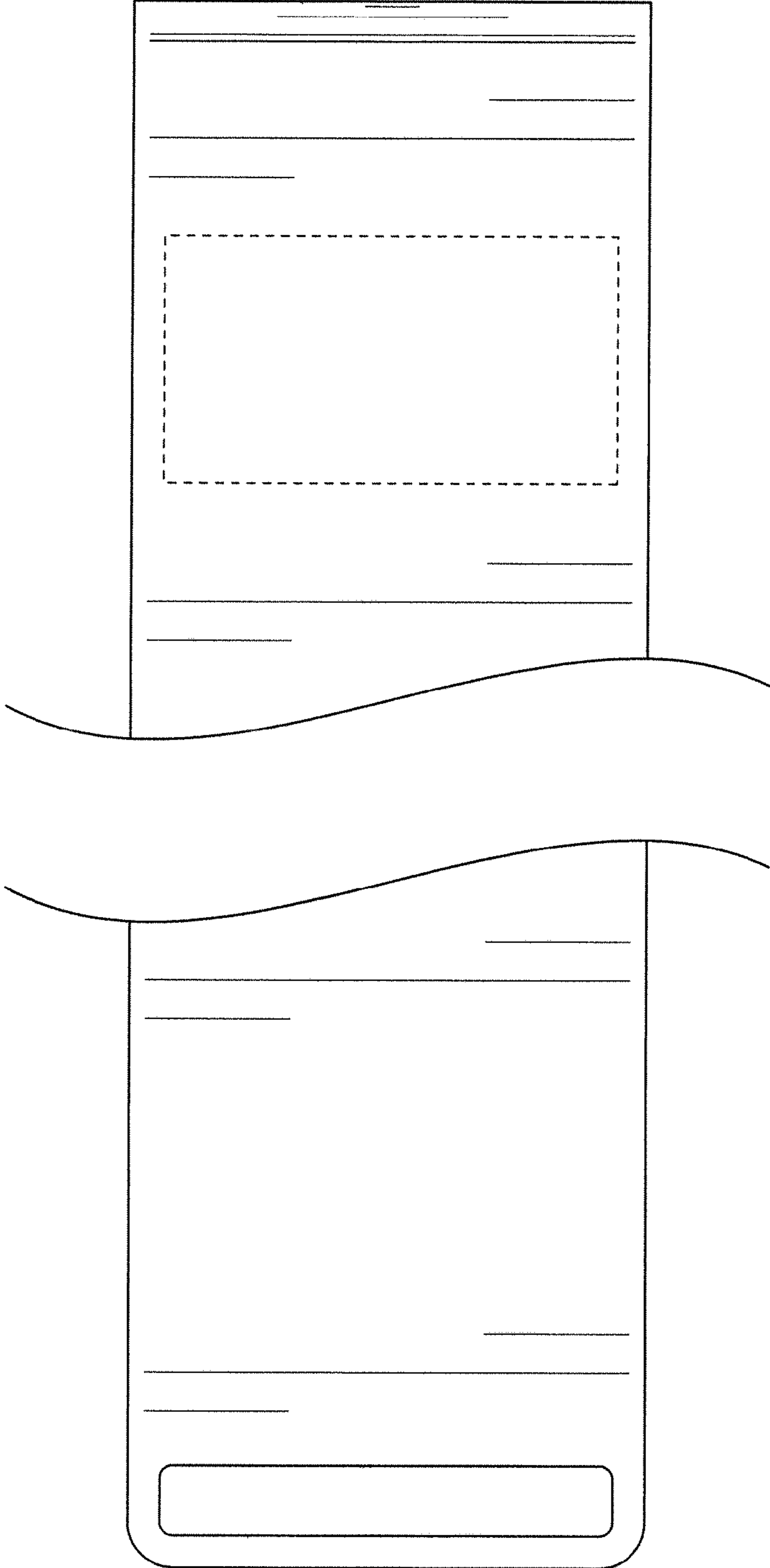


FIG. 2

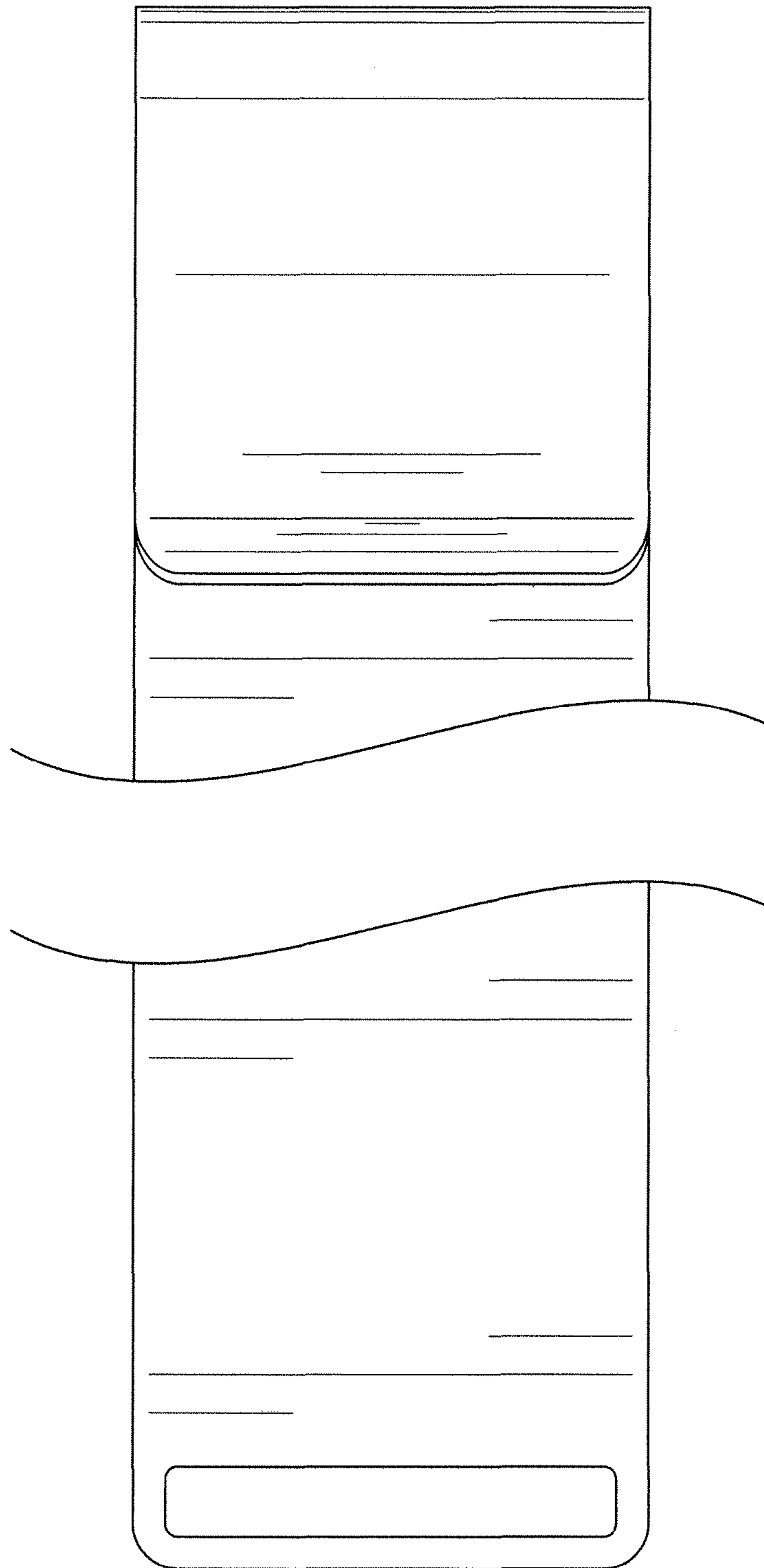


FIG. 3

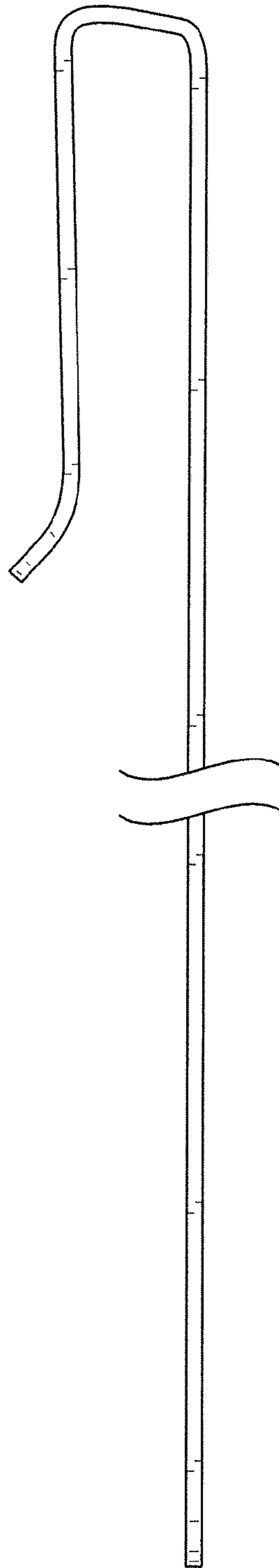


FIG. 4

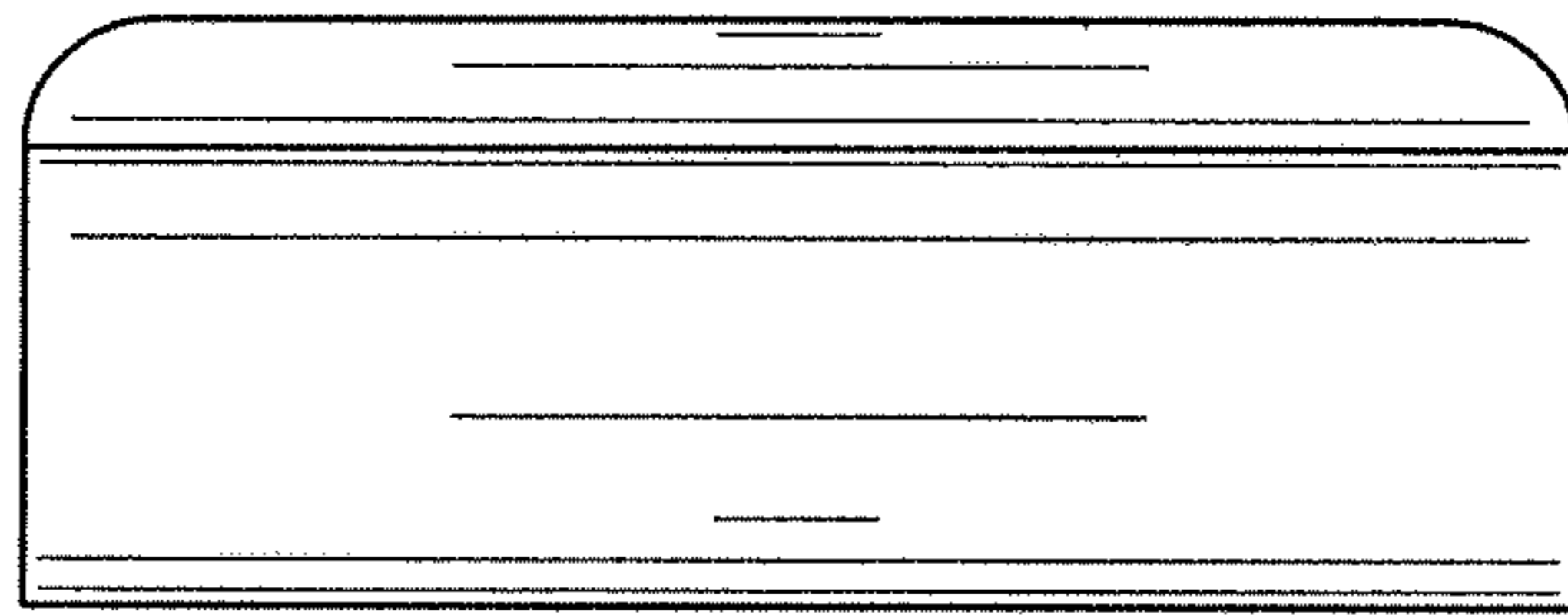


FIG. 5

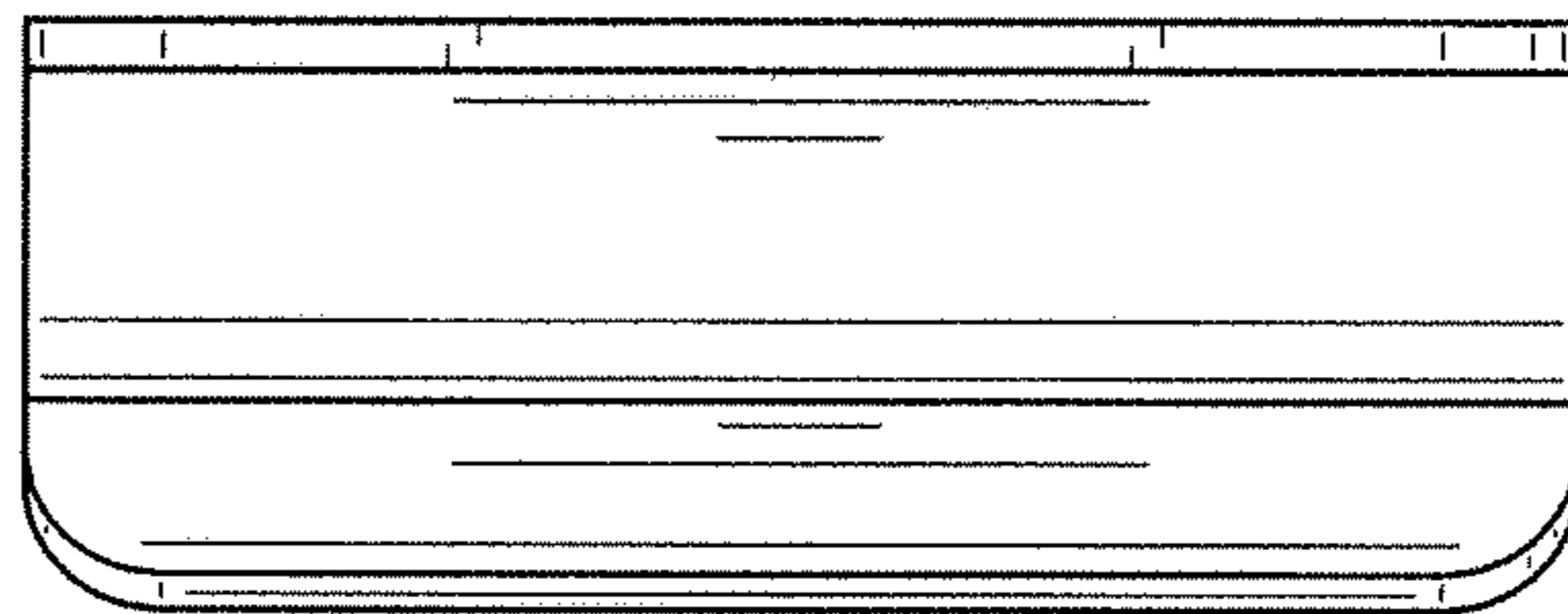


FIG. 6