



US00D721497S

(12) **United States Design Patent**
Parker

(10) **Patent No.:** **US D721,497 S**
(45) **Date of Patent:** **** Jan. 27, 2015**

(54) **LUGGAGE WHEEL HOUSING WITH A WHEEL**

(71) Applicant: **Samsonite IP Holdings S.a r.l.**,
Luxembourg (LU)

(72) Inventor: **Garrett K. W. Parker**, Berkley, MA
(US)

(73) Assignee: **Samsonite IP Holdings S.ar.l.**,
Luxembourg (LU)

(**) Term: **14 Years**

(21) Appl. No.: **29/440,204**

(22) Filed: **Dec. 19, 2012**

(51) **LOC (10) Cl.** **03-01**

(52) **U.S. Cl.**
USPC **D3/318; D8/375**

(58) **Field of Classification Search**
USPC D8/375; 190/18 A, 115; D3/318
See application file for complete search history.

(56) **References Cited**

U.S. PATENT DOCUMENTS

4,084,288	A	4/1978	Black	
D359,676	S	6/1995	Liang	
5,634,538	A *	6/1997	Tsai	190/18 A
D421,338	S	3/2000	Moon	
D433,088	S	10/2000	Galy	
D434,904	S	12/2000	Huang	
6,193,324	B1	2/2001	Chang	
D438,382	S	3/2001	Chang	
D439,410	S	3/2001	Chang	
6,256,835	B1	7/2001	Wang	
D448,278	S	9/2001	Chi	
D448,826	S	10/2001	Galy	
6,322,156	B1	11/2001	Kuo	
6,354,412	B1 *	3/2002	Kuo	190/18 A
D470,748	S	2/2003	Tsai	
D473,379	S *	4/2003	Moon	D3/318
D481,931	S	11/2003	Chi	

D482,265	S *	11/2003	Wicha	D8/375
D484,028	S	12/2003	Moon	
D487,348	S	3/2004	Fenton et al.	
D491,365	S *	6/2004	Proot	D3/318
D492,894	S	7/2004	Cheng	
D496,259	S	9/2004	Cheng	
D505,316	S	5/2005	Topel	
D513,560	S	1/2006	Neumann	
D525,033	S *	7/2006	Neumann	D3/318

(Continued)

OTHER PUBLICATIONS

U.S. Appl. No. 29/481,519, filed Feb. 6, 2014, Garrett K. W. Parker.
(Continued)

Primary Examiner — Holly Baynham

(74) *Attorney, Agent, or Firm* — Dorsey & Whitney LLP

(57) **CLAIM**

The ornamental design for a luggage wheel housing with a wheel, as shown and described.

DESCRIPTION

FIG. 1 shows a front perspective view of a luggage wheel housing with a wheel;

FIG. 2 shows a front elevation view of the luggage wheel housing of FIG. 1;

FIG. 3 shows a right elevation view of the luggage wheel housing of FIG. 1;

FIG. 4 shows a rear elevation view of the luggage wheel housing of FIG. 1;

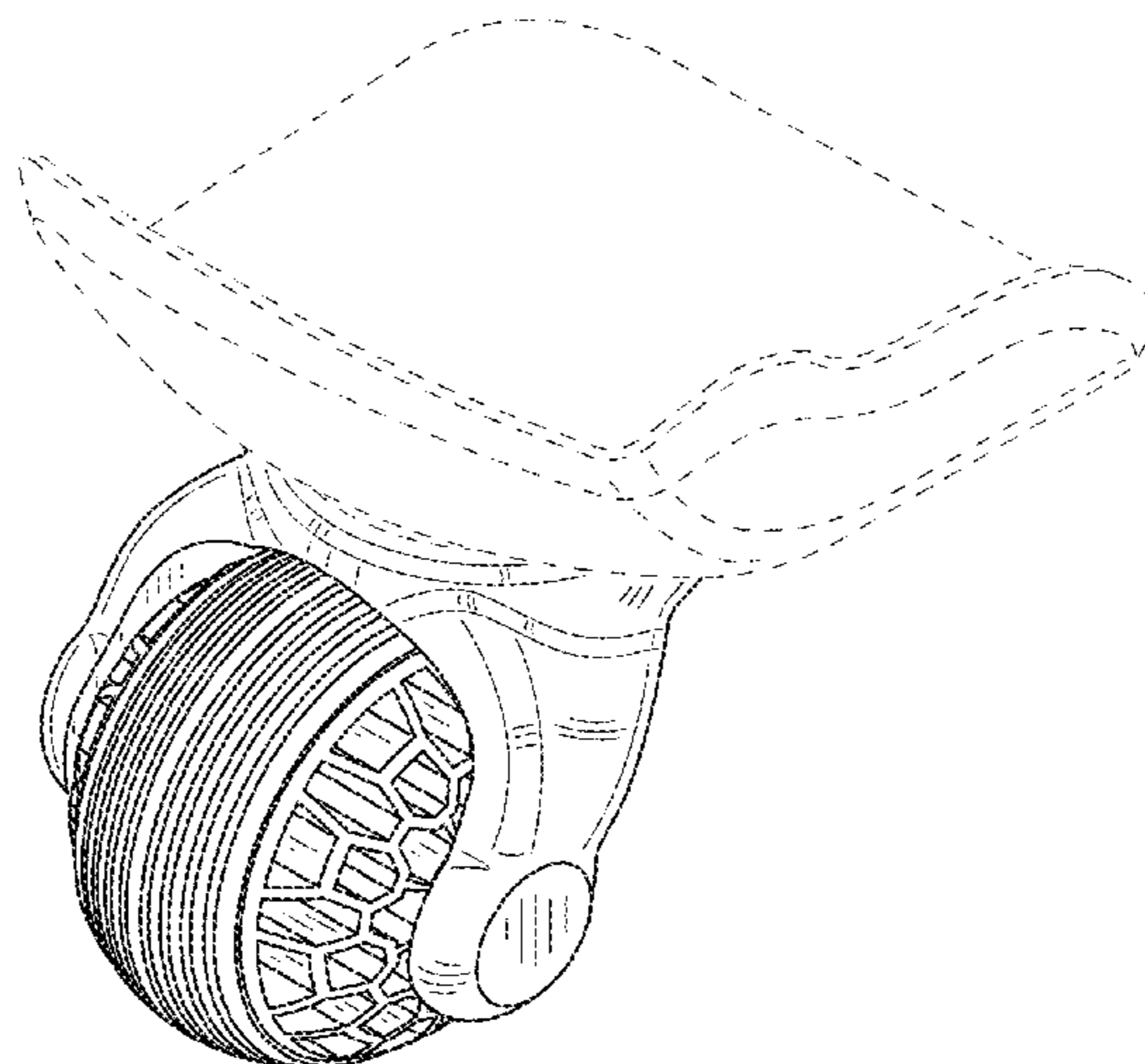
FIG. 5 shows a left elevation view of the luggage wheel housing of FIG. 1;

FIG. 6 shows a top view of the luggage wheel housing of FIG. 1; and,

FIG. 7 shows a bottom view of the luggage wheel housing of FIG. 1.

The broken lines showing the mounting are for the purposes of illustrating environment and forms no part of the claimed design.

1 Claim, 5 Drawing Sheets



(56)

References Cited

U.S. PATENT DOCUMENTS

D539,543 S 4/2007 Wu
D541,048 S 4/2007 Moon
D550,950 S 9/2007 Vanderminde
D557,900 S 12/2007 Sijmons
D575,512 S 8/2008 Moon
D575,957 S 9/2008 Scicluna et al.
D576,407 S 9/2008 Moon
7,437,801 B2 10/2008 Dahl
D581,161 S 11/2008 Tong
D582,160 S 12/2008 Sijmons
D582,678 S 12/2008 Rekuc

7,506,404 B2 3/2009 Block et al.
D592,490 S 5/2009 Frame
D603,163 S 11/2009 Van Himbeek
7,832,533 B2 11/2010 Selvi
D633,299 S 3/2011 Moon
8,020,679 B2 9/2011 Wu
D659,395 S 5/2012 Sijmons
2010/0230223 A1 9/2010 Wu
2014/0041978 A1 2/2014 Chang
2014/0110204 A1 4/2014 Wu

OTHER PUBLICATIONS

U.S. Appl. No. 29/427,647, filed Jul. 20, 2012, Garrett K. W. Parker.

* cited by examiner

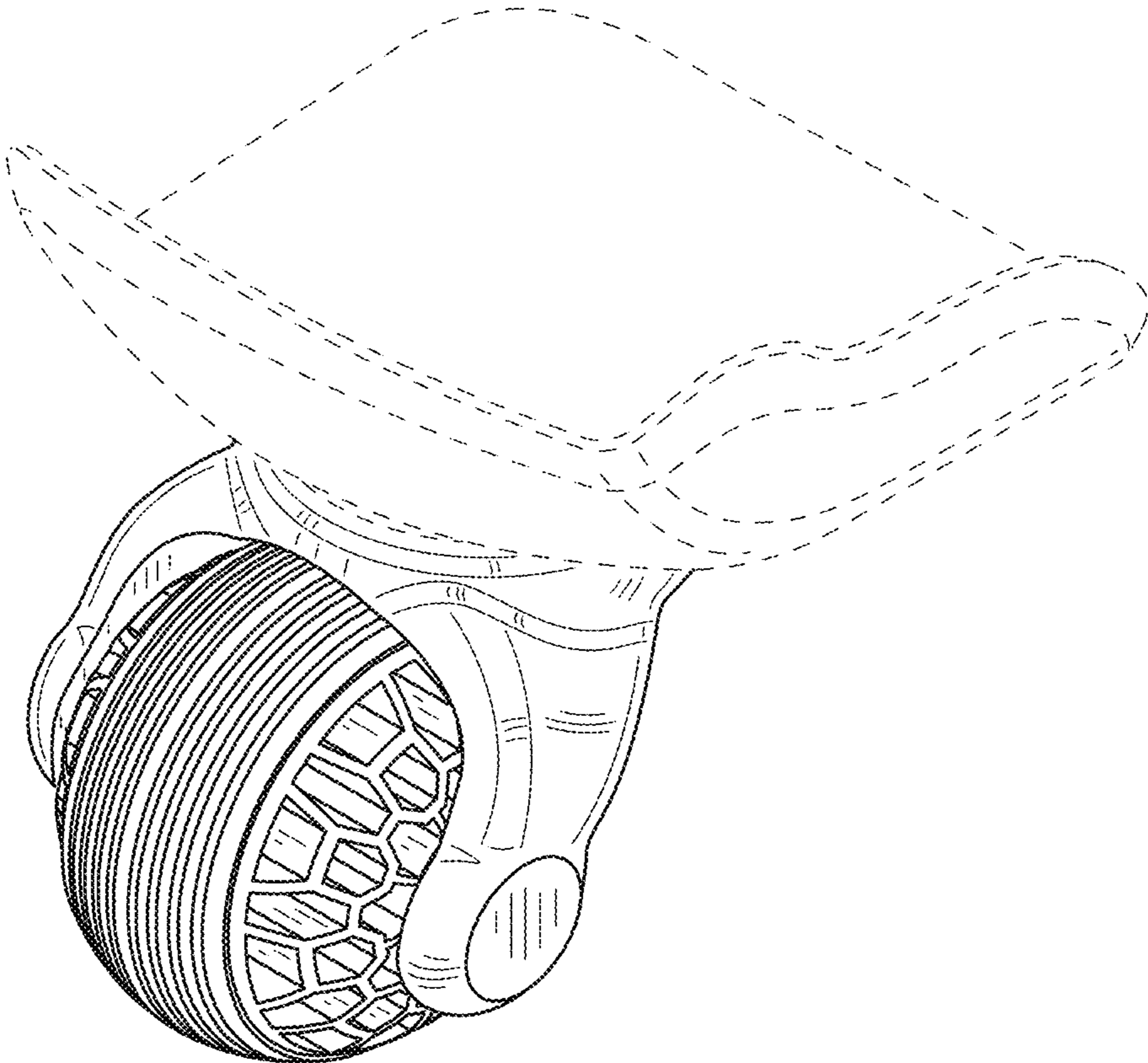


FIG. 1

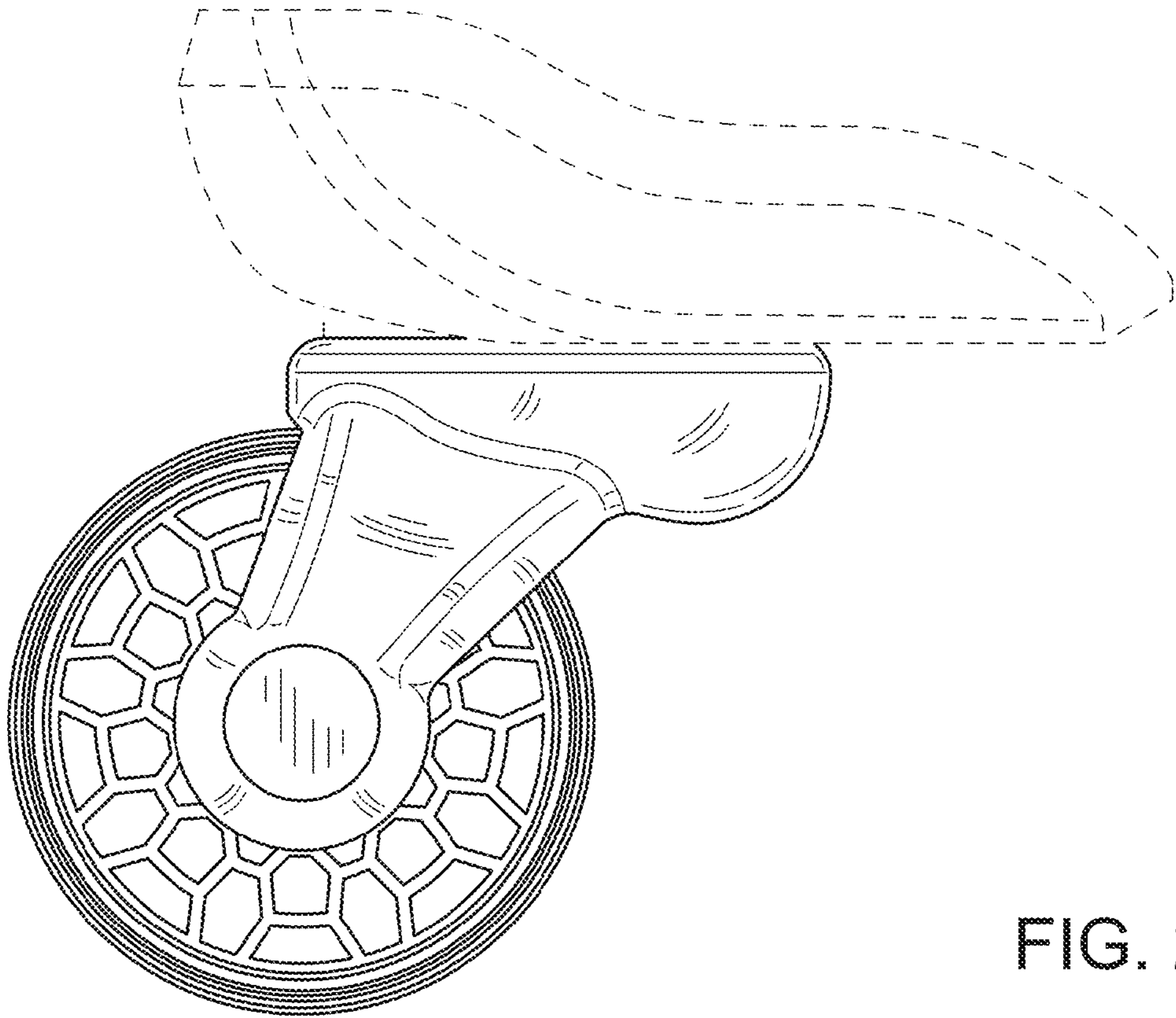


FIG. 2

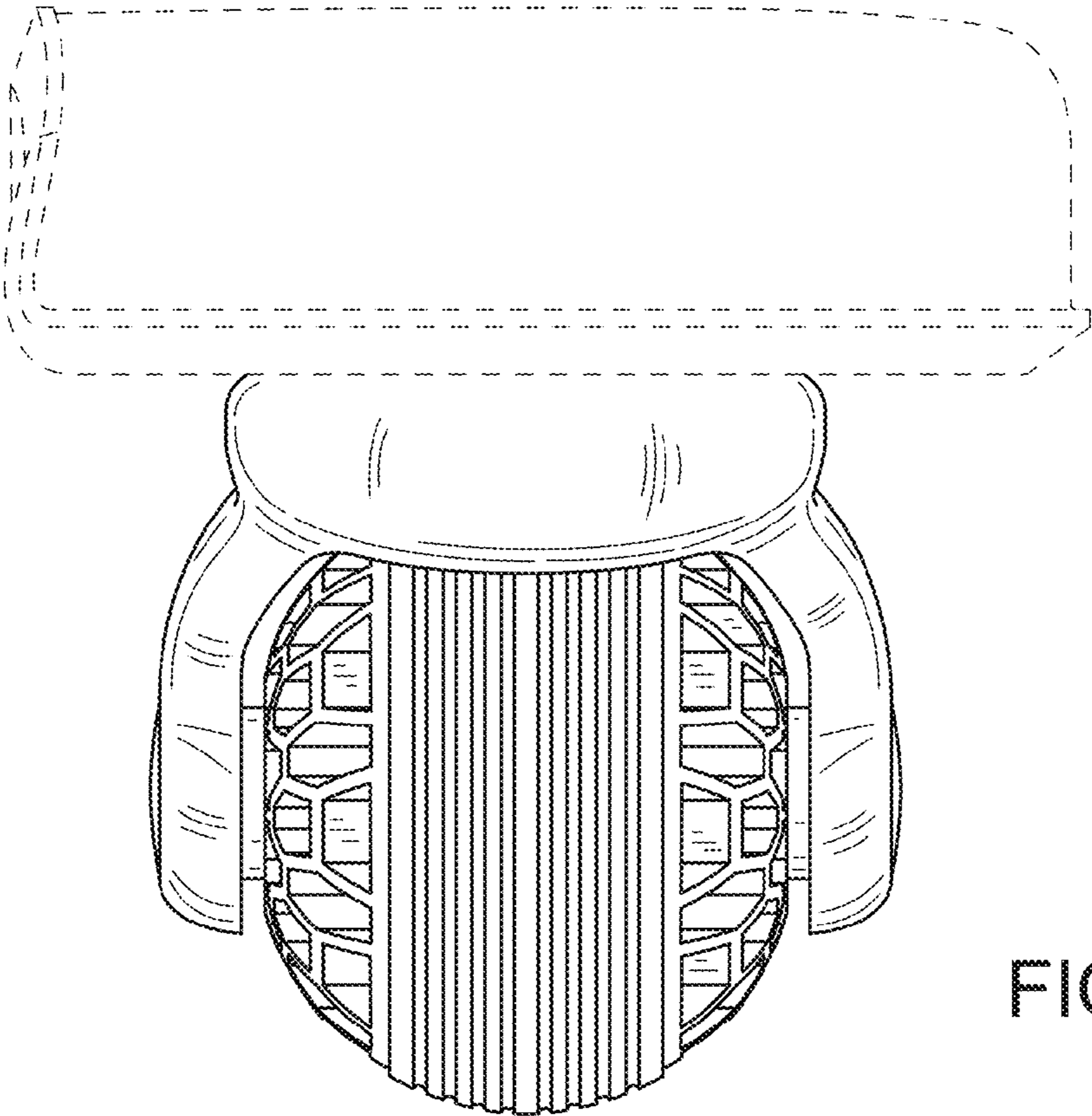


FIG. 3

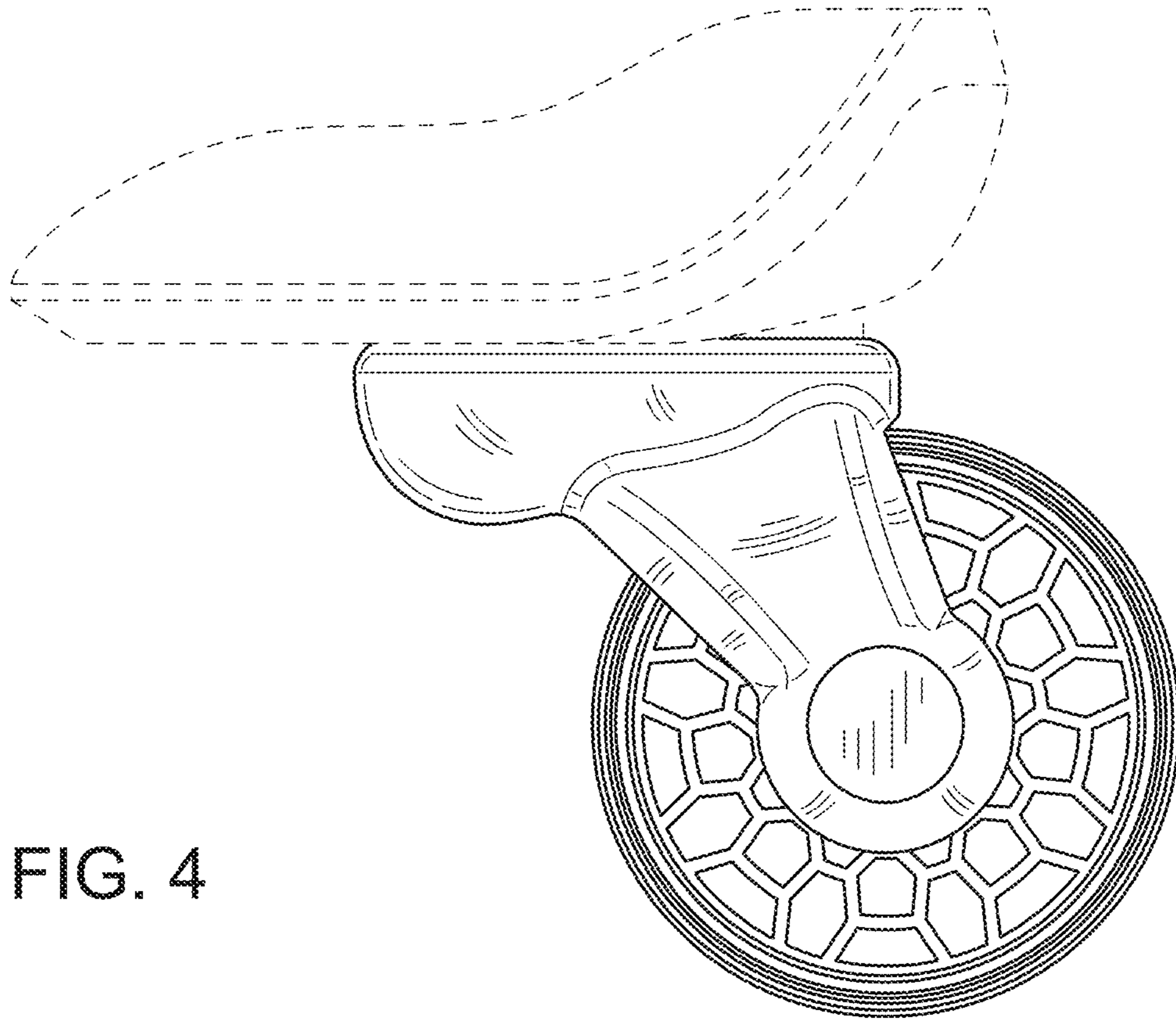


FIG. 4

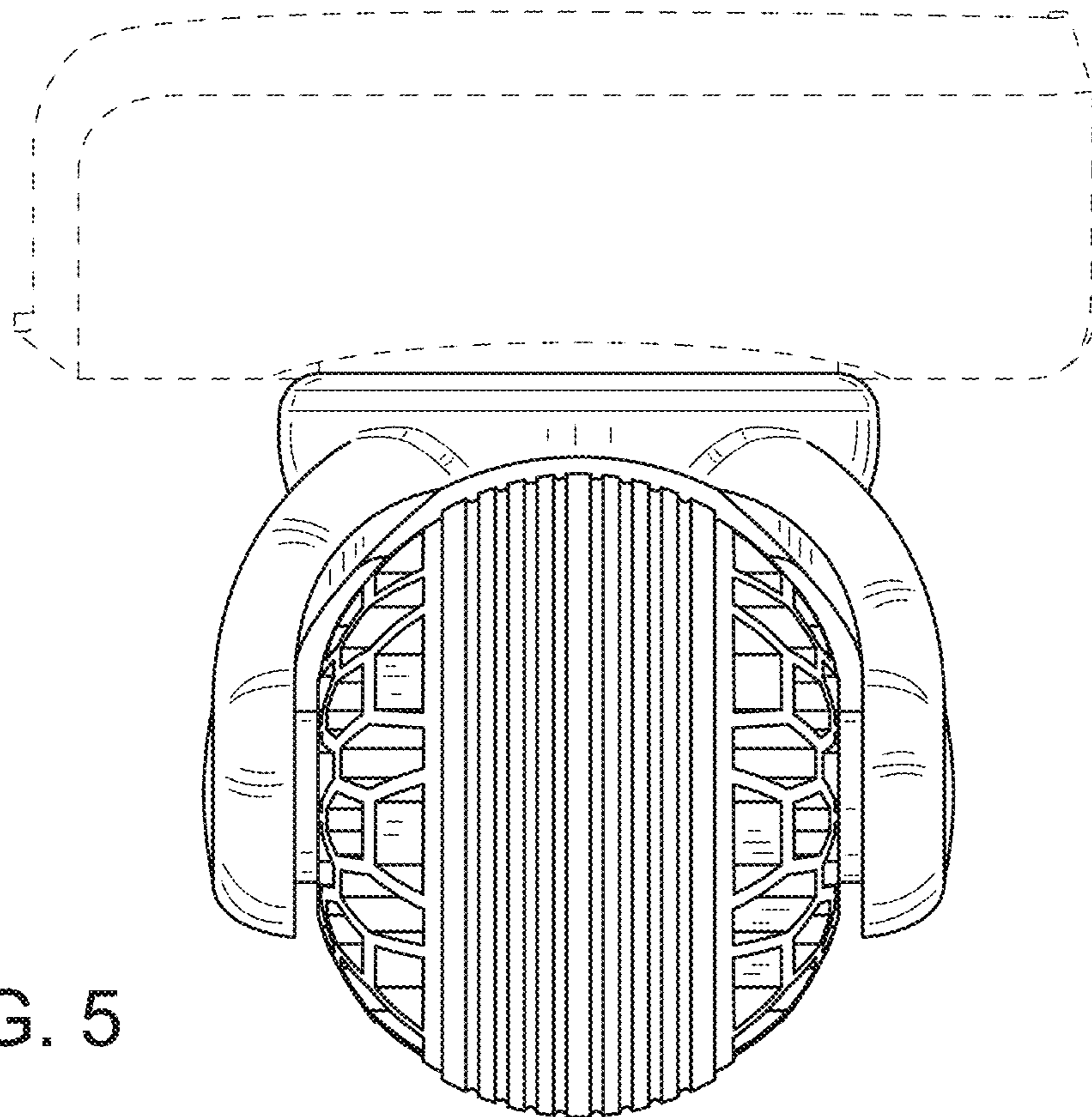


FIG. 5

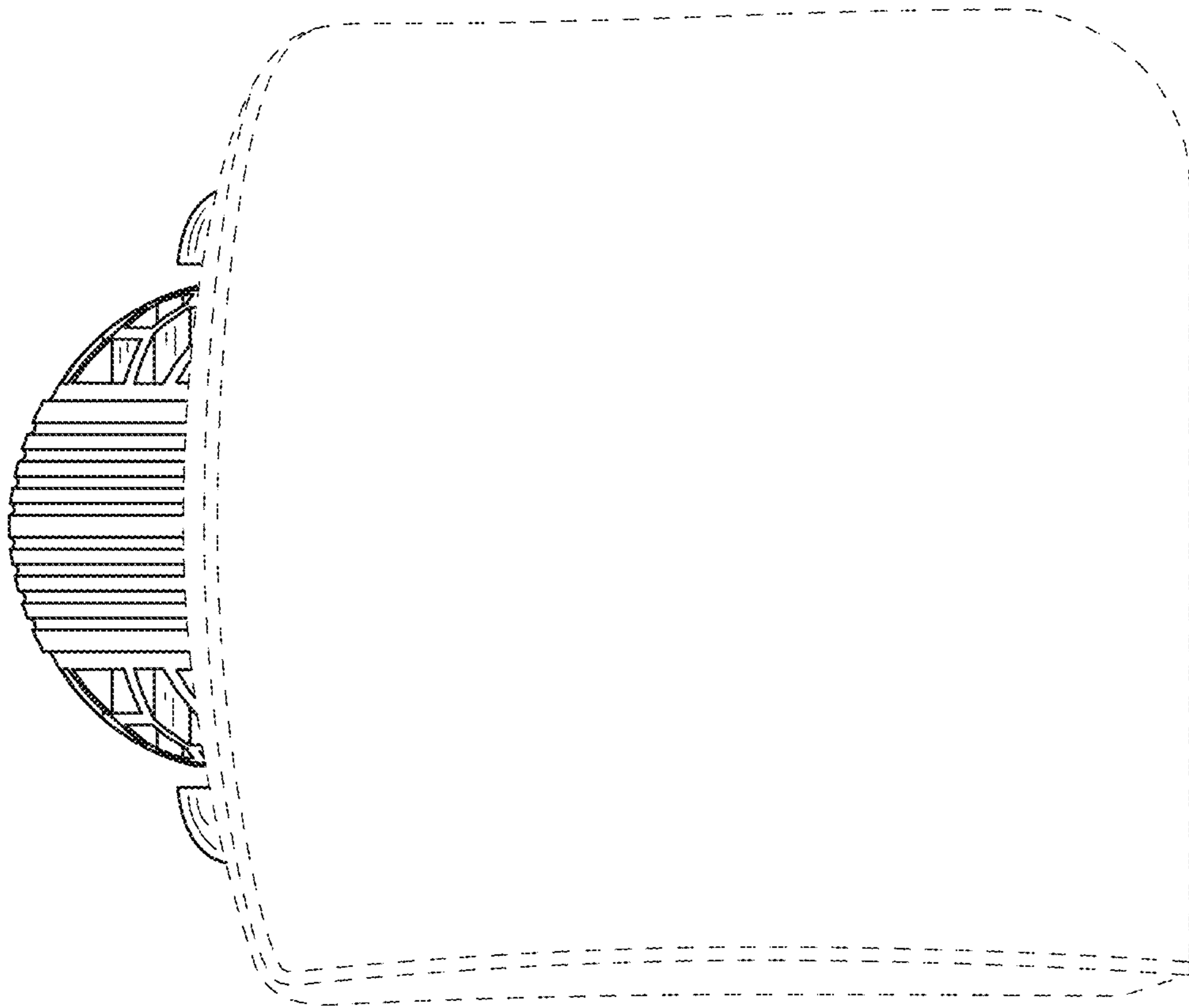


FIG. 6

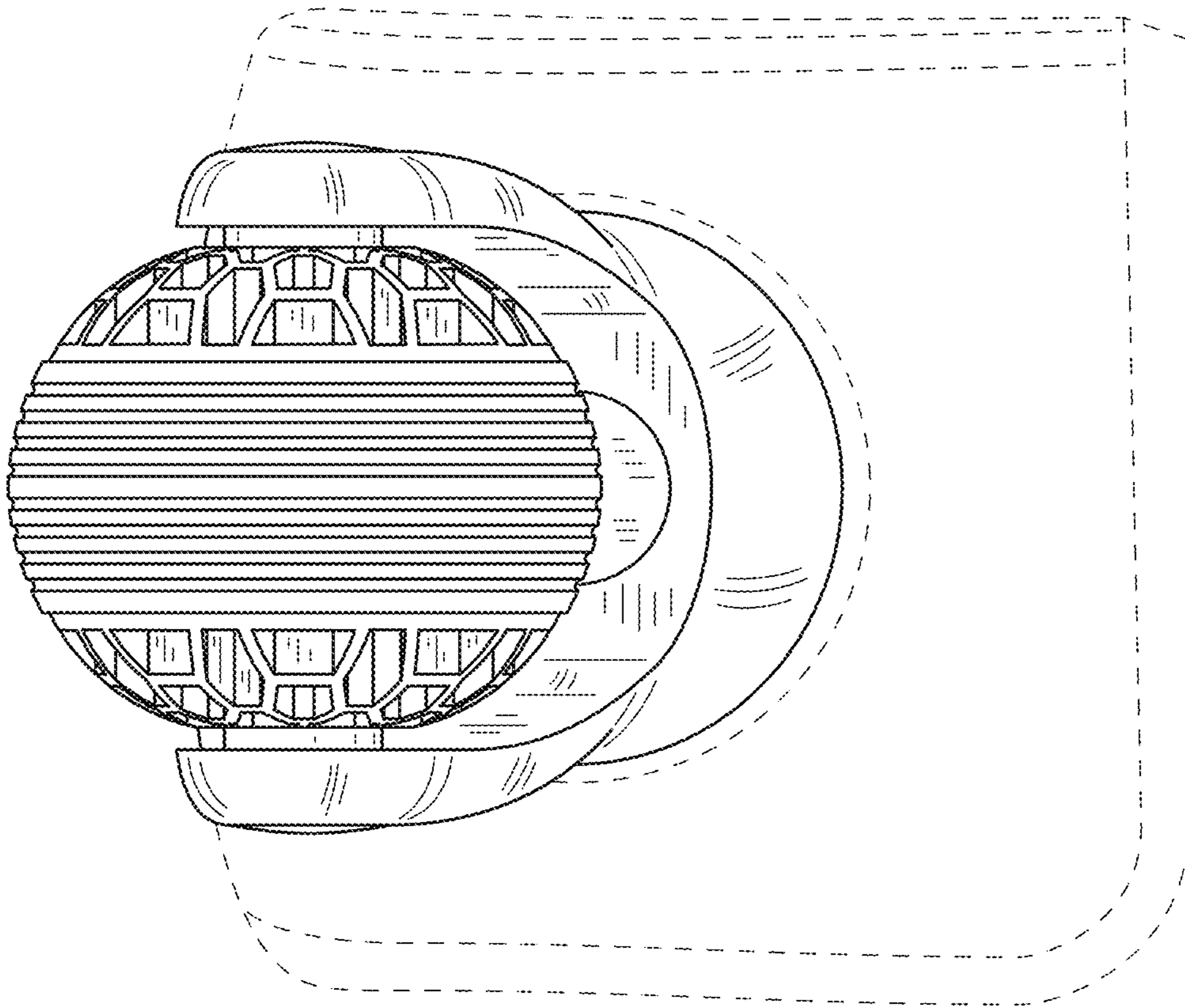


FIG. 7