



US00D721493S

(12) **United States Design Patent**
Godshaw et al.

(10) **Patent No.:** **US D721,493 S**
(45) **Date of Patent:** **** Jan. 27, 2015**

(54) **TOILETRIES AND ACCESSORIES CASE**

2009/0145801 A1* 6/2009 Moon 206/581
2010/0155266 A1* 6/2010 Nicholson 206/6.1
2013/0062246 A1* 3/2013 Staples 206/581

(71) Applicant: **Travel Caddy, Inc.**, Elk Grove Village,
IL (US)

* cited by examiner

(72) Inventors: **Donald E. Godshaw**, Wilmette, IL (US);
Slobodan S. Zivanovic, Des Plaines, IL
(US)

Primary Examiner — Cathron Brooks
Assistant Examiner — Ethiene Salgado-Rodriguez
(74) *Attorney, Agent, or Firm* — Nancy R. Gamburd;
Gamburd Law Group LLC

(73) Assignee: **Travel Caddy, Inc.**, Elk Grove Village,
IL (US)

(57) **CLAIM**
The ornamental design for a toiletries and accessories case, as
shown and described.

(**) Term: **14 Years**

DESCRIPTION

(21) Appl. No.: **29/467,215**

(22) Filed: **Sep. 17, 2013**

(51) **LOC (10) Cl.** **03-01**

(52) **U.S. Cl.**
USPC **D3/301**

(58) **Field of Classification Search**
CPC A45C 13/02; A45C 7/00
USPC D3/276, 282, 280, 288, 293, 278, 273,
D3/284, 285, 299, 303; 190/110, 109, 111,
190/112, 100; 150/117; 383/110
See application file for complete search history.

FIG. 1 is a front perspective view of a toiletries and accessories case, illustrated in an open position;
FIG. 2 is a front elevational view thereof;
FIG. 3 is a rear elevational view thereof;
FIG. 4 is a right side elevational view thereof;
FIG. 5 is a left side elevational view thereof;
FIG. 6 is a top plan view thereof;
FIG. 7 is a bottom plan view thereof;
FIG. 8 is a front perspective view thereof, illustrated in an open position and showing exemplary bottles and other containers disposed and arranged therein;
FIG. 9 is a front perspective view thereof, illustrated in a closed position;
FIG. 10 is a front elevational view thereof;
FIG. 11 is a rear elevational view thereof;
FIG. 12 is a right side elevational view thereof;
FIG. 13 is a left side elevational view thereof;
FIG. 14 is a top plan view thereof;
FIG. 15 is a bottom plan view thereof; and,
FIG. 16 is a front perspective view thereof, illustrated in a closed position and showing exemplary bottles and other containers disposed and arranged therein.
The broken lines in the figures are for the purpose of illustrating portions of the toiletries and accessories case that form no part of the claimed design.

(56) **References Cited**

U.S. PATENT DOCUMENTS

2,754,867	A *	7/1956	Langer	206/278
D354,851	S *	1/1995	Smith et al.	D3/254
D369,025	S *	4/1996	Miller et al.	D3/299
D387,906	S *	12/1997	Petty	D3/299
D479,041	S *	9/2003	Fonfeder	D3/206
6,681,936	B2 *	1/2004	Godshaw et al.	206/581
D552,349	S *	10/2007	Greiner	D3/279
D566,964	S *	4/2008	Greiner	D3/293
D588,353	S *	3/2009	Khubani	D3/201
D646,485	S *	10/2011	Mason	D3/299
2007/0102078	A1 *	5/2007	Shimp	150/113

1 Claim, 10 Drawing Sheets

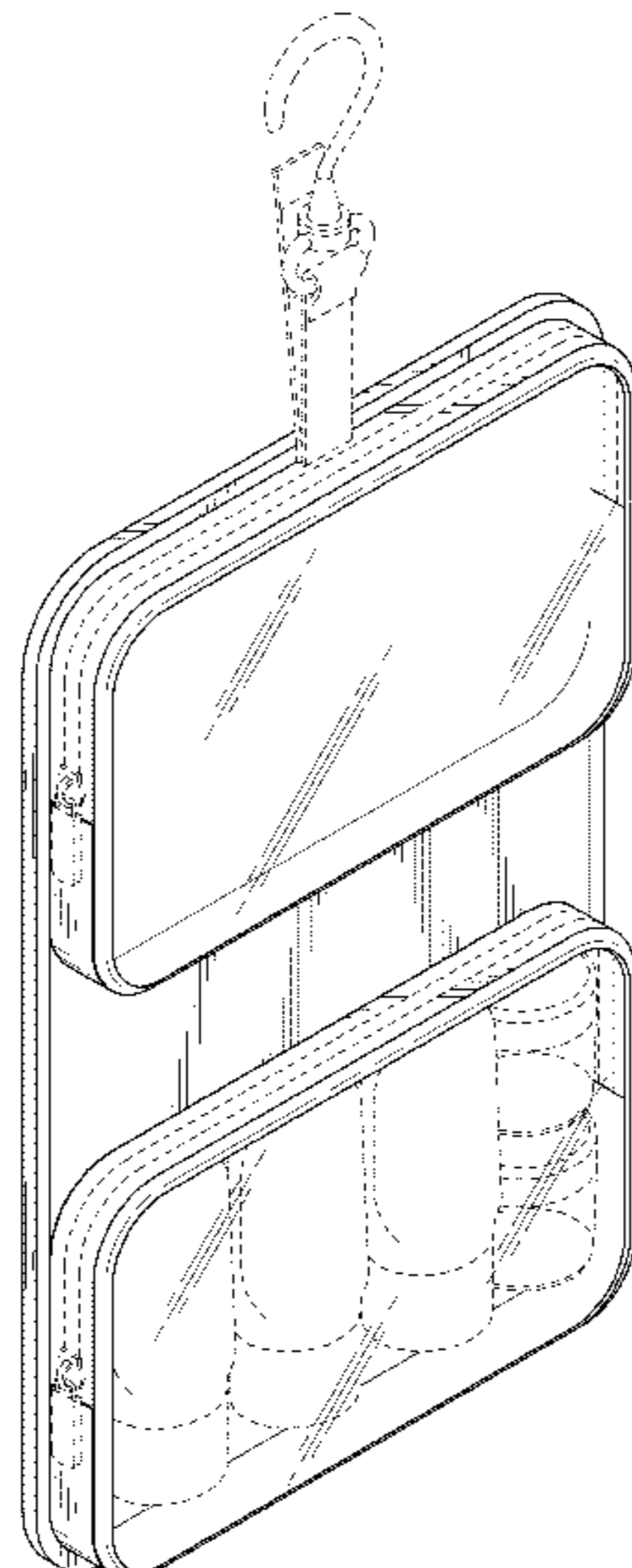


FIG. 1

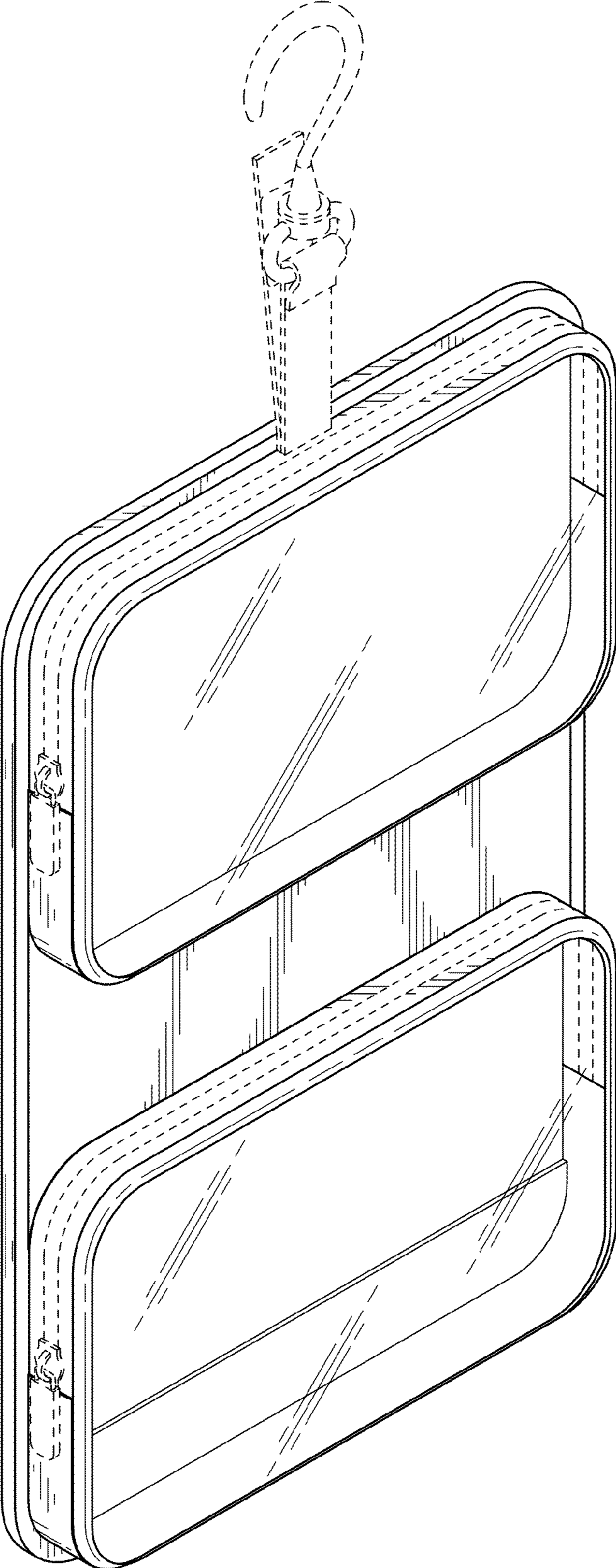


FIG. 2

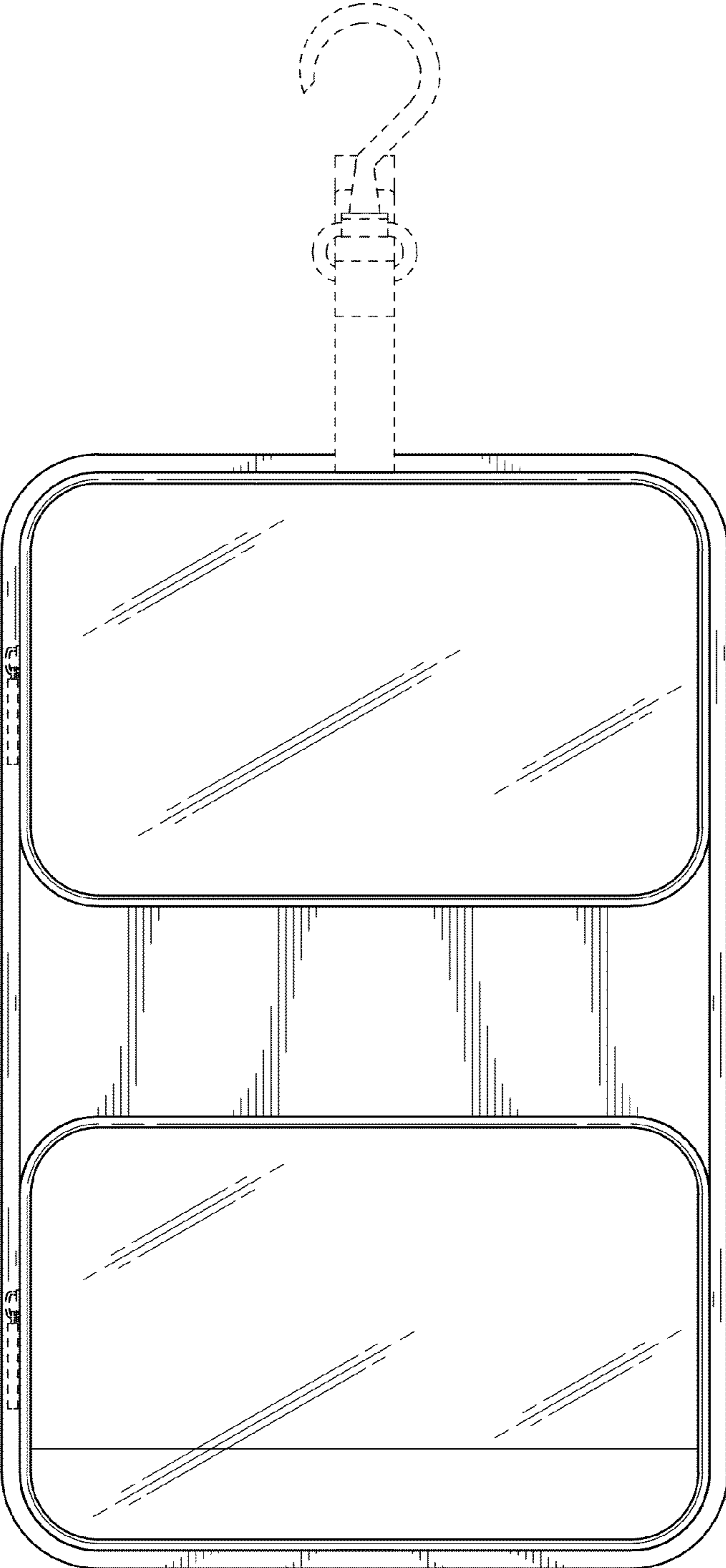


FIG. 3

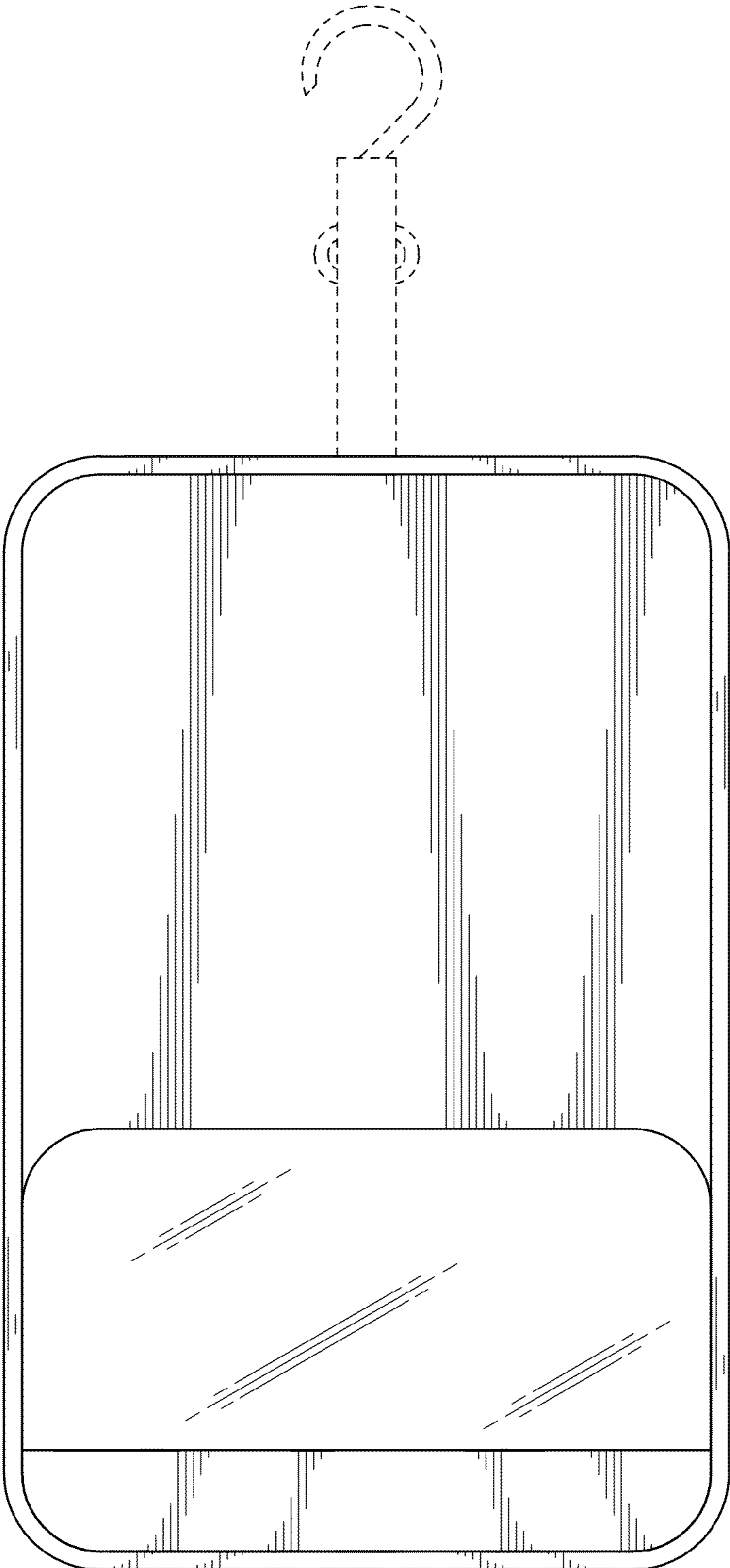


FIG. 4

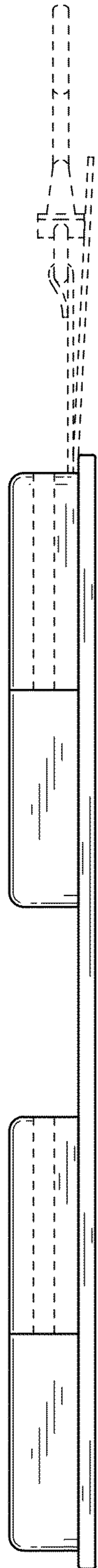


FIG. 5

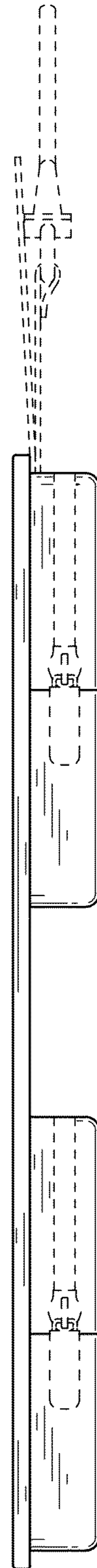


FIG. 6

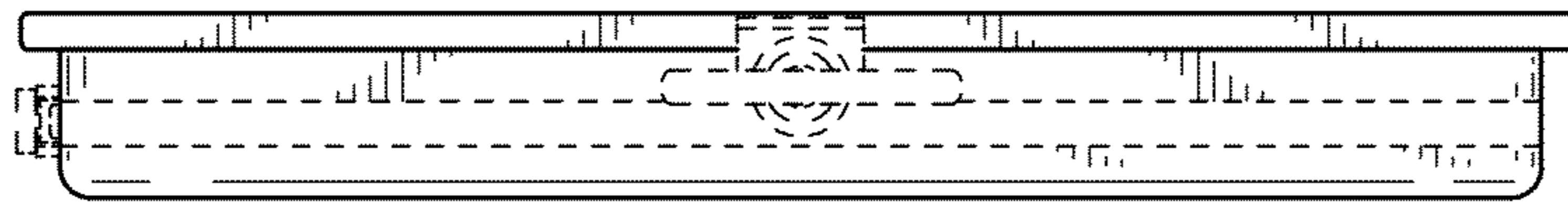


FIG. 7

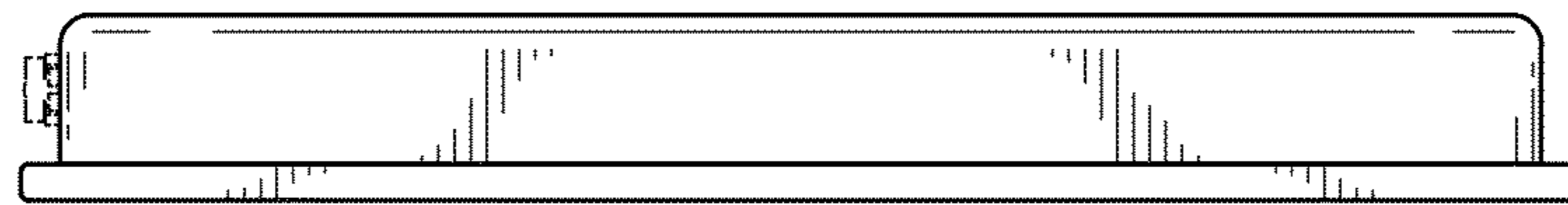


FIG. 8

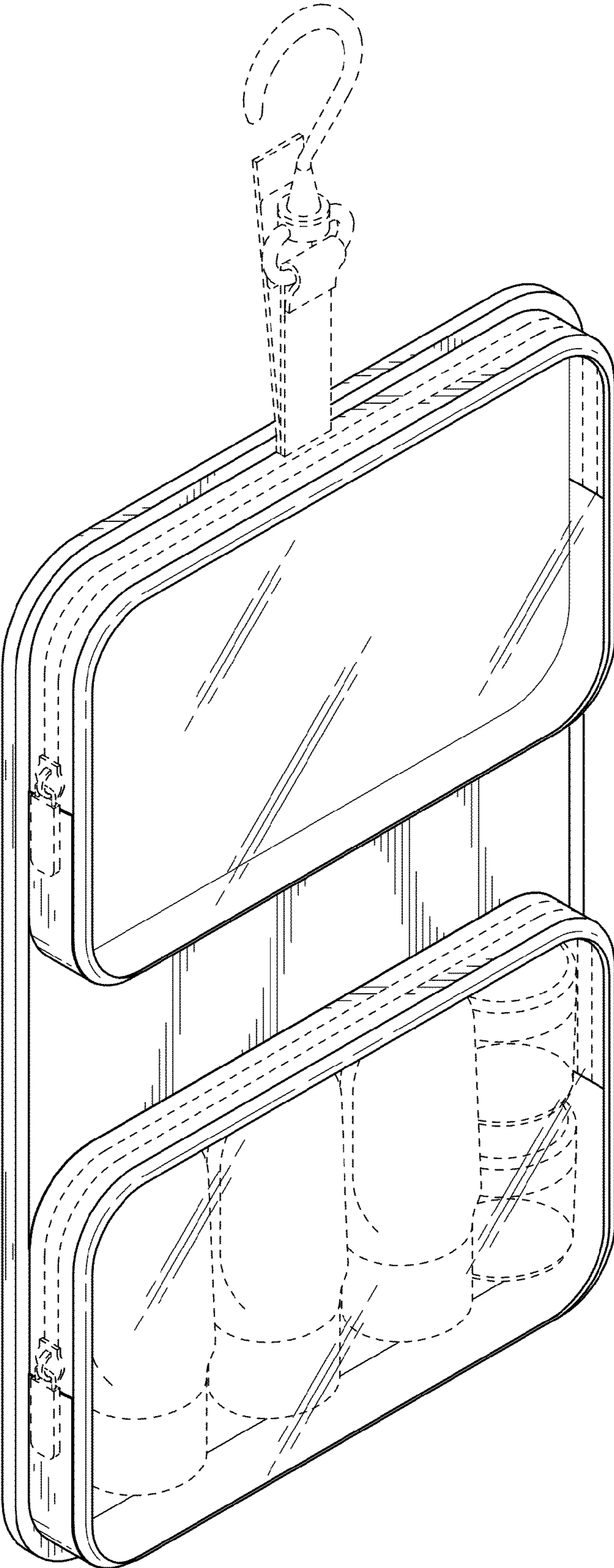


FIG. 9

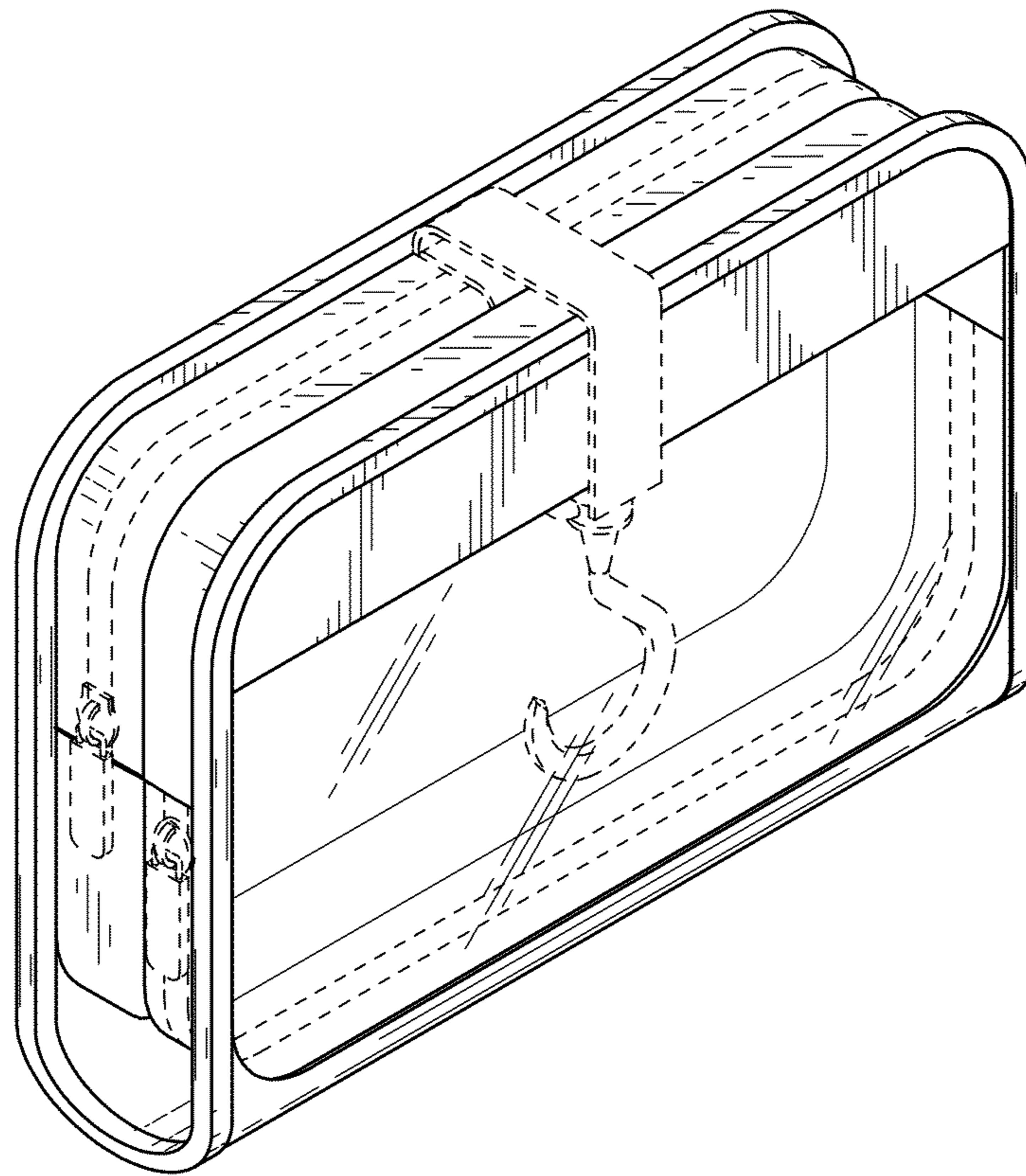


FIG. 10

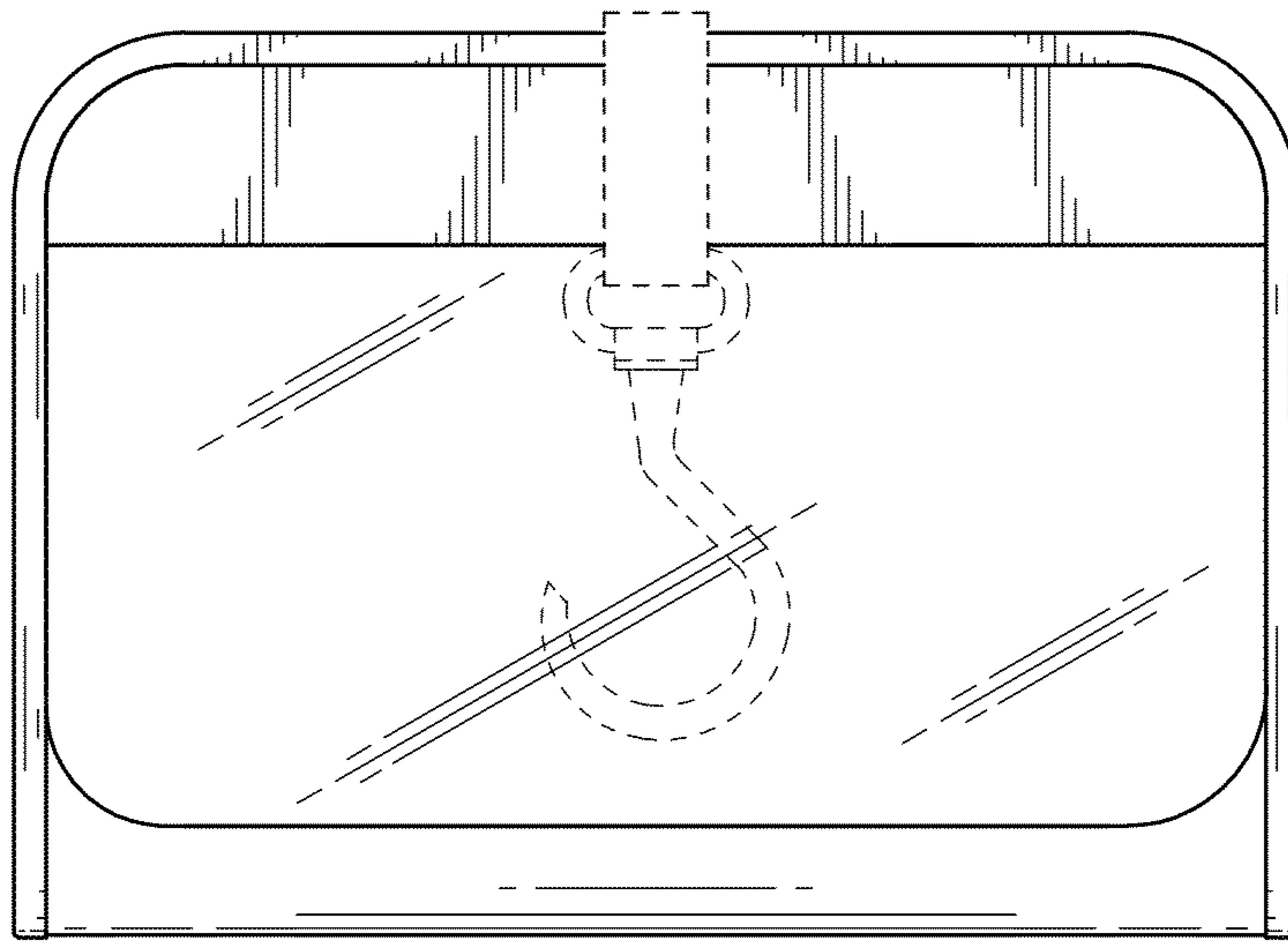


FIG. 11

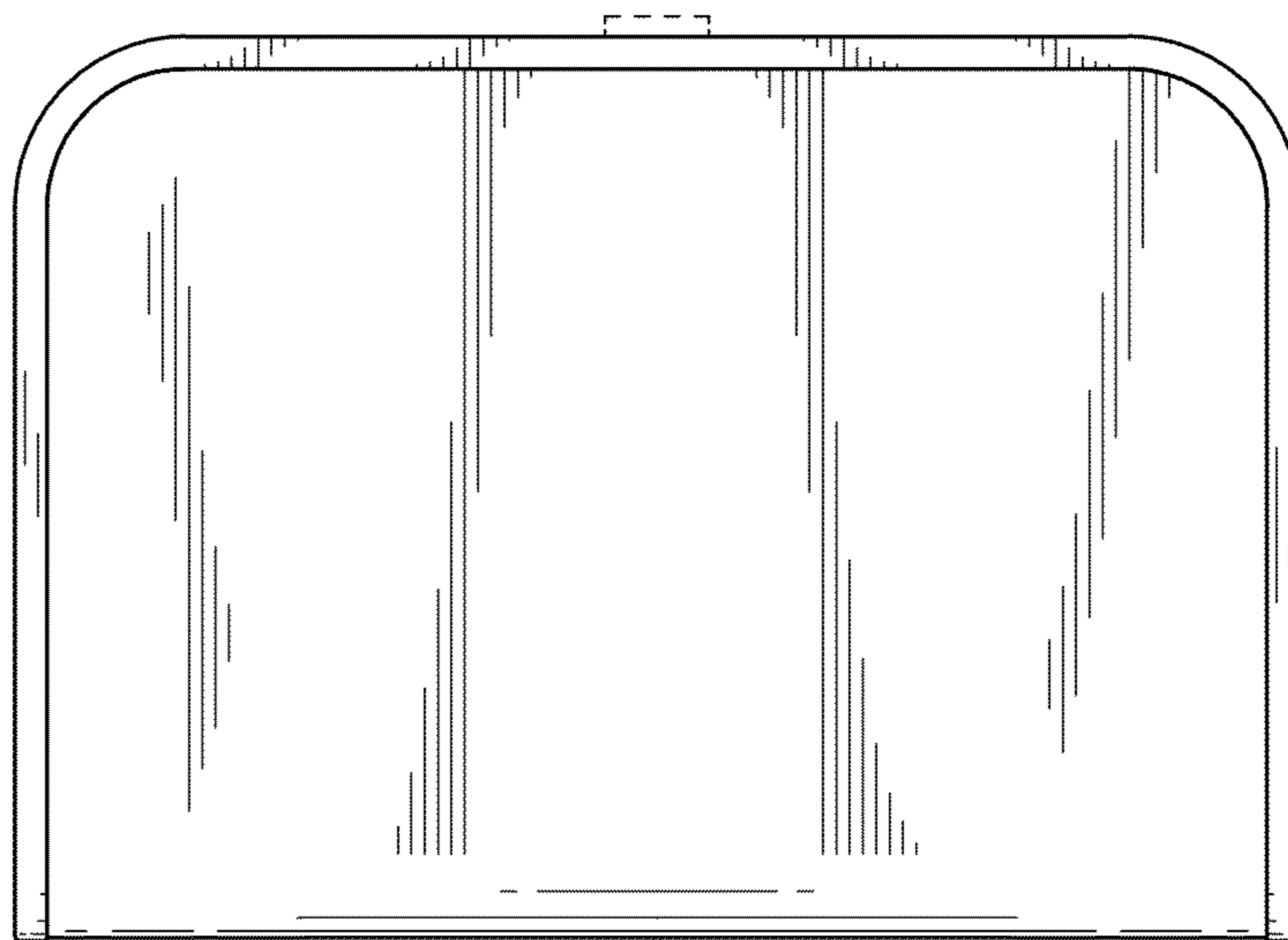


FIG. 12

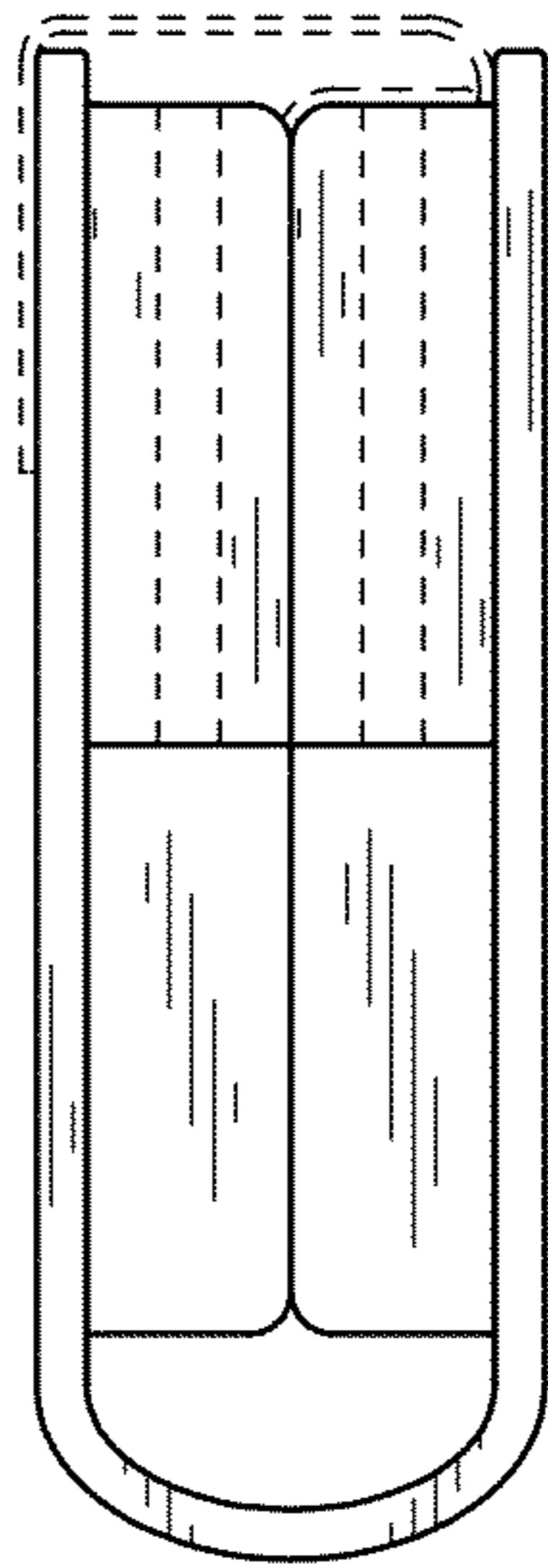


FIG. 13

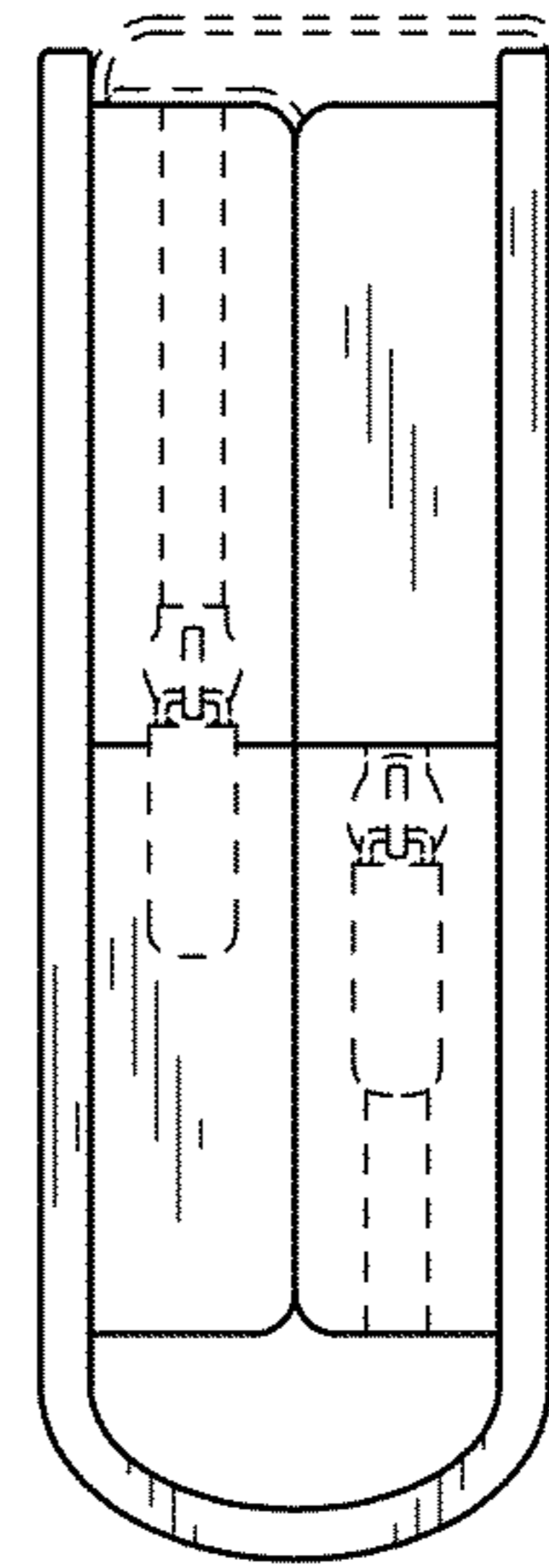


FIG. 14

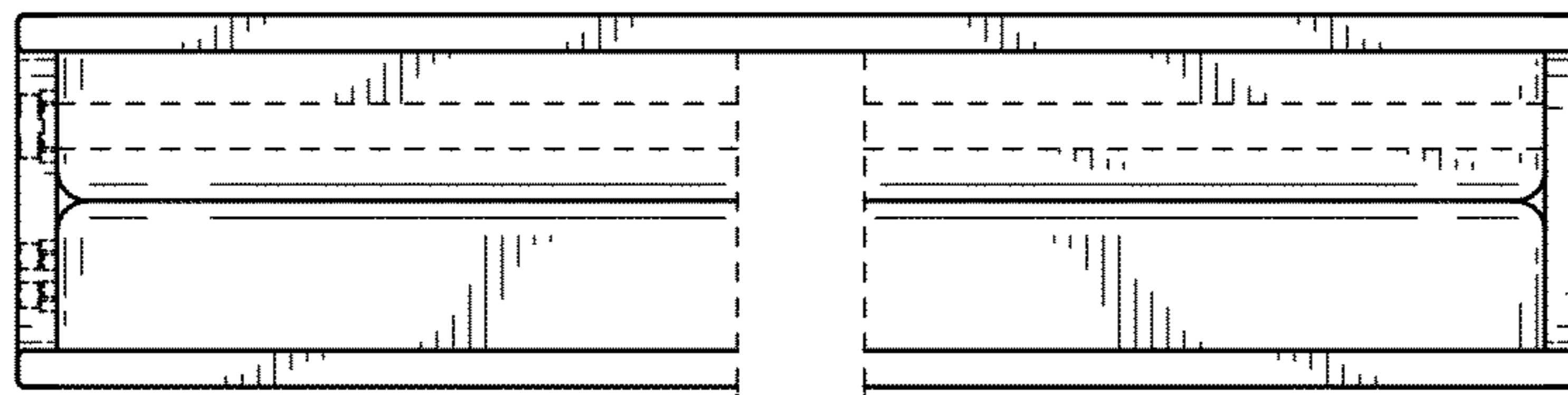


FIG. 15

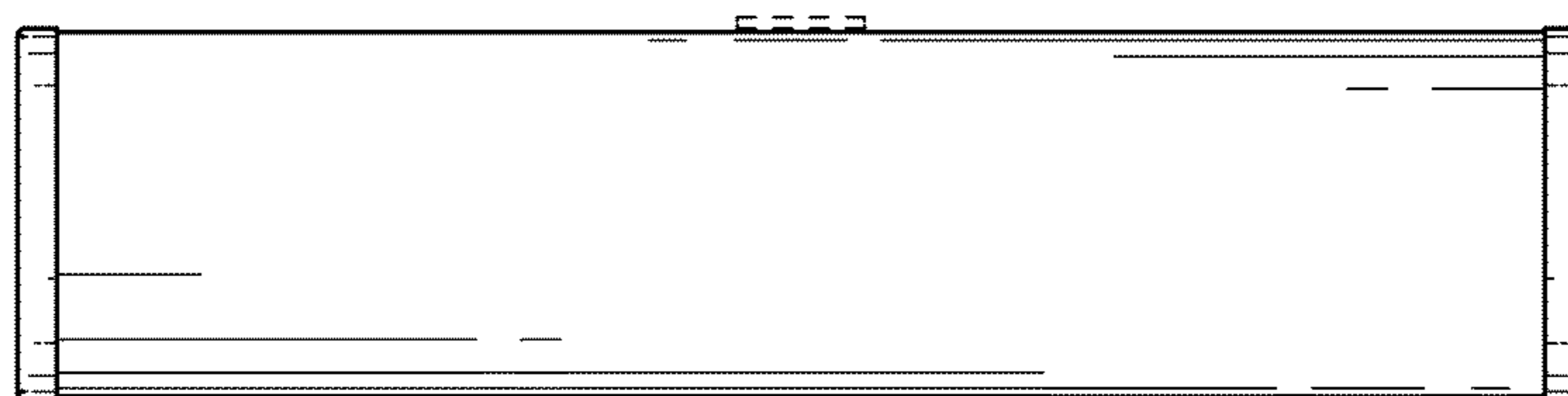


FIG. 16

