



US00D721492S

(12) **United States Design Patent**  
**Horovitz et al.**

(10) **Patent No.:** **US D721,492 S**  
(45) **Date of Patent:** **\*\* Jan. 27, 2015**

(54) **ORGANIZER**

(71) Applicant: **The Stanley Works Israel, Ltd.**, Rosh Ha' Ayin (IL)

(72) Inventors: **Nadin Daniel Horovitz**, Rehovot (IL);  
**Elad Hay Shitrit**, Tel Aviv (IL)

(73) Assignee: **The Stanley Works Israel, Ltd.**, Rosh Ha' Ayin (IL)

(\*\*) Term: **14 Years**

(21) Appl. No.: **29/476,760**

(22) Filed: **Dec. 17, 2013**

(30) **Foreign Application Priority Data**

Jun. 20, 2013 (EM) ..... 001375224

(51) **LOC (10) Cl.** ..... **03-01**

(52) **U.S. Cl.**  
USPC ..... **D3/282; D3/905**

(58) **Field of Classification Search**  
CPC . B25H 3/02-3/028; B25H 3/00; B25H 3/003;  
B25H 3/006  
USPC ..... D3/276, 279, 281, 282, 283, 284, 291,  
D3/294, 295, 297, 298, 901, 905, 288, 292,  
D3/273, 302; 206/372-379, 1.7;  
220/523-528

See application file for complete search history.

(56) **References Cited**

U.S. PATENT DOCUMENTS

D218,266	S	*	8/1970	Belokin, Jr.	.....	D3/282
D232,129	S	*	7/1974	Evans	.....	D3/281
D260,454	S	*	9/1981	Pepicelli et al.	.....	D6/633
D322,164	S	*	12/1991	Hanna et al.	.....	D3/282
D355,849	S	*	2/1995	Trower et al.	.....	D3/282
D360,757	S	*	8/1995	Snetting et al.	.....	D3/282
D379,715	S	*	6/1997	Yemini	.....	D3/282
D382,709	S	*	8/1997	Cuneo	.....	D3/282
D413,203	S	*	8/1999	Zurwelle et al.	.....	D3/276
D463,911	S	*	10/2002	Chen	.....	D3/282
6,648,166	B2	*	11/2003	Levy	.....	220/520
D587,453	S	*	3/2009	Burkhard et al.	.....	D3/282
D620,255	S	*	7/2010	Chang	.....	D3/282

\* cited by examiner

*Primary Examiner* — Jennifer Rivard

*Assistant Examiner* — April Rivas

(74) *Attorney, Agent, or Firm* — Gabriel A. Haboubi

(57) **CLAIM**

The ornamental design for an organizer, as shown and described.

**DESCRIPTION**

FIG. 1 is a perspective view of our new design.

FIG. 2 is a side view thereof.

FIG. 3 is a other side view thereof.

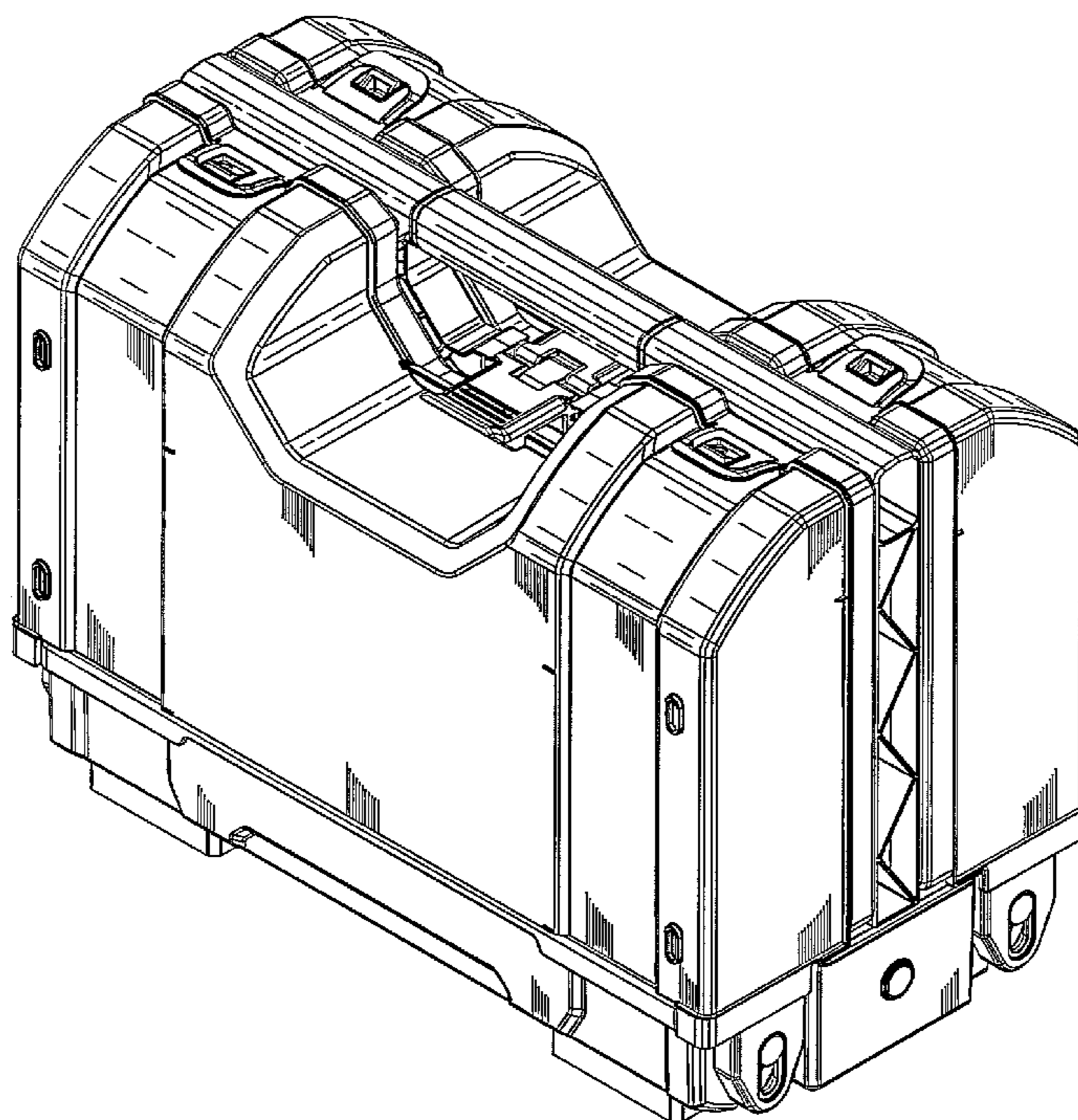
FIG. 4 is a front side view thereof.

FIG. 5 is a rear side view thereof.

FIG. 6 is a top view thereof; and,

FIG. 7 is a bottom view thereof.

**1 Claim, 7 Drawing Sheets**



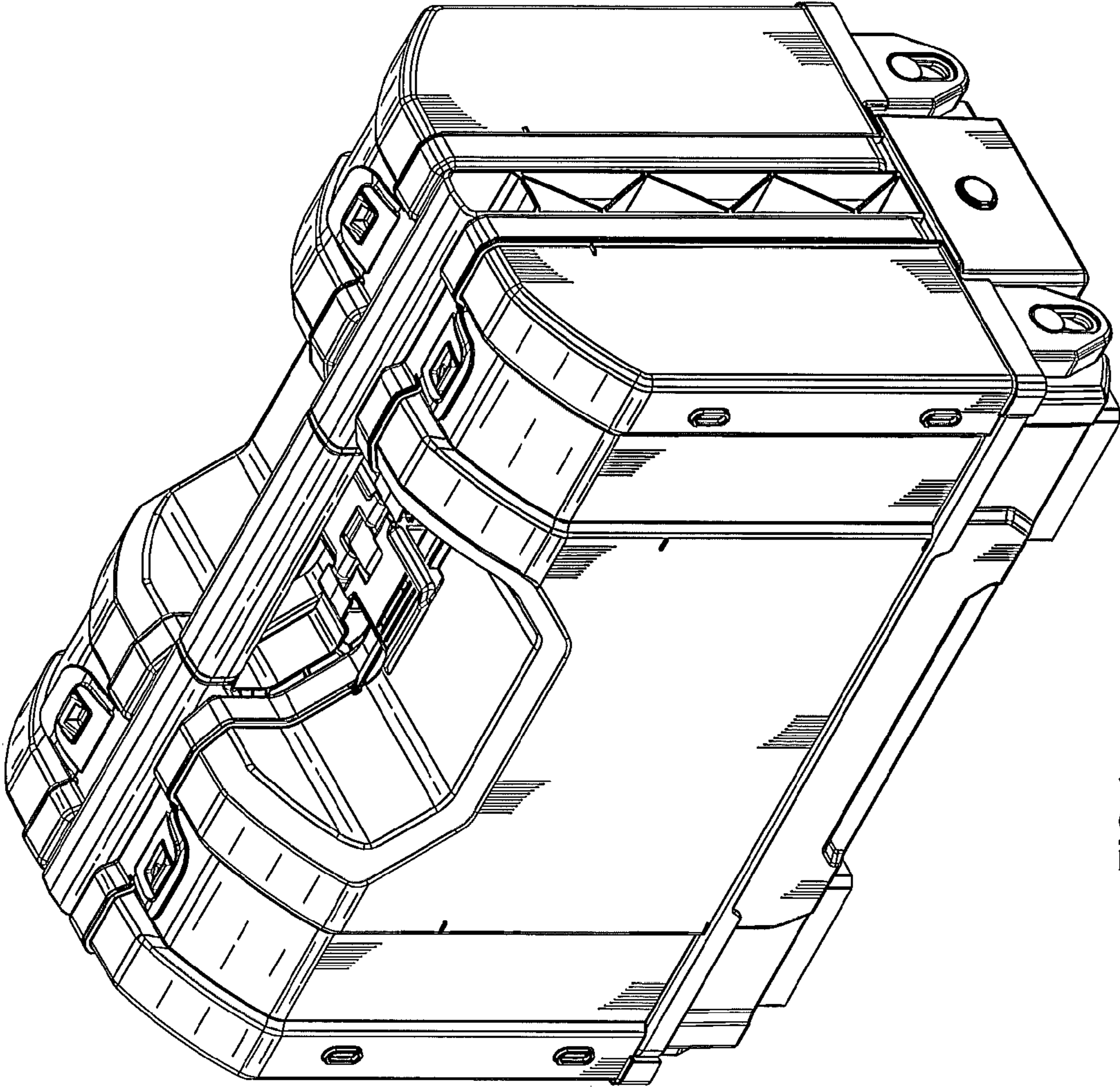


FIG.1

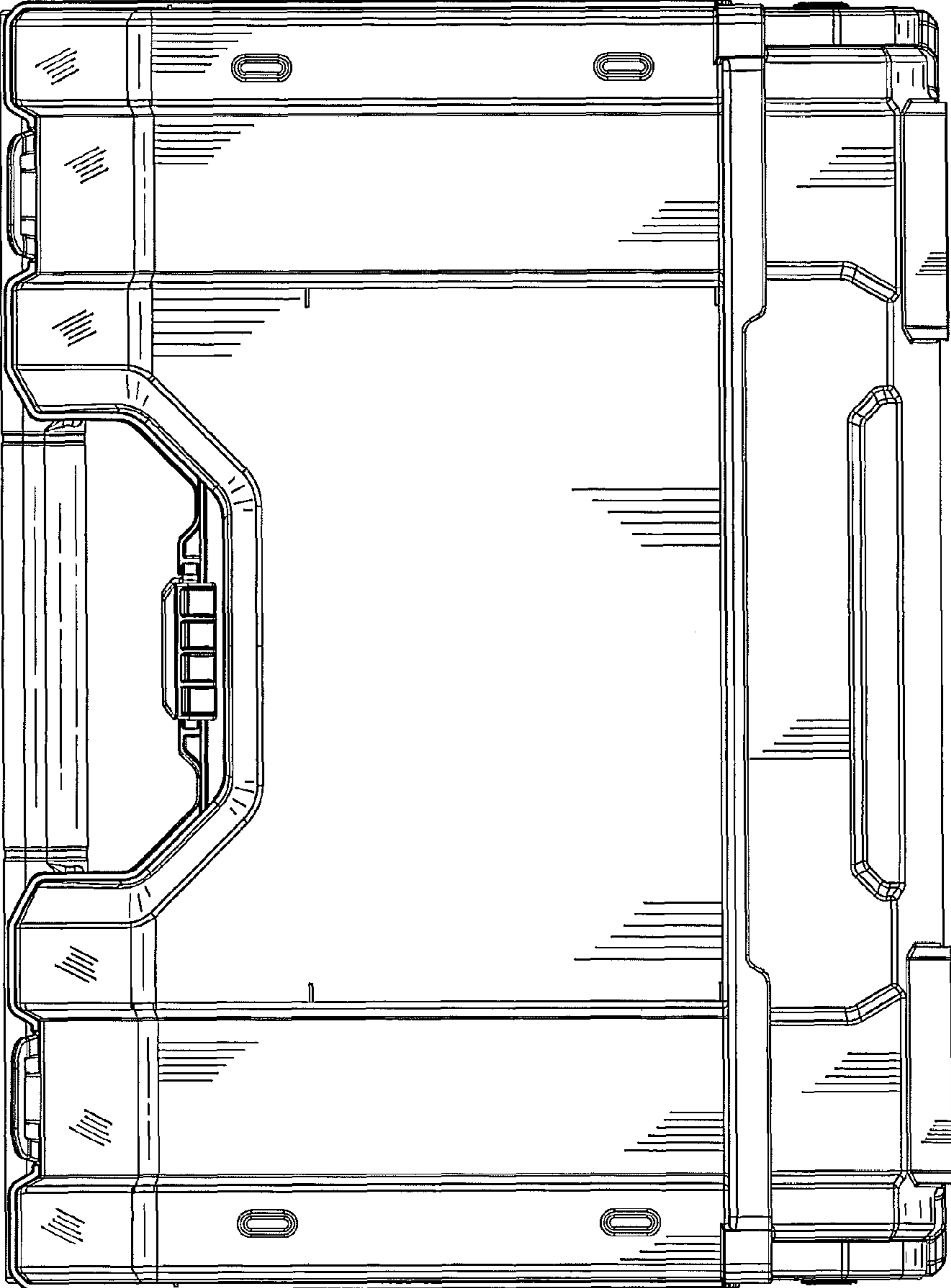


FIG.2



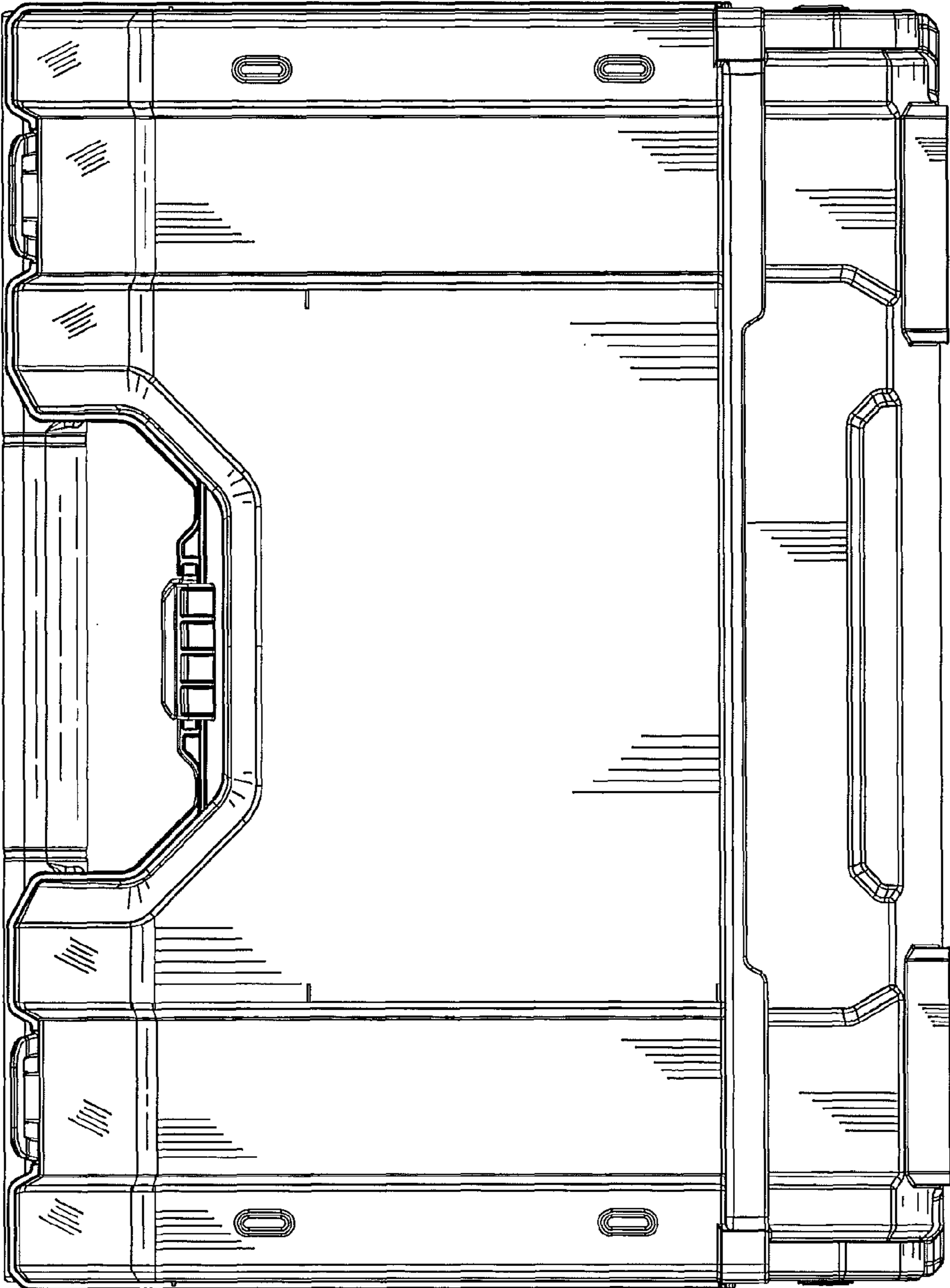


FIG.3

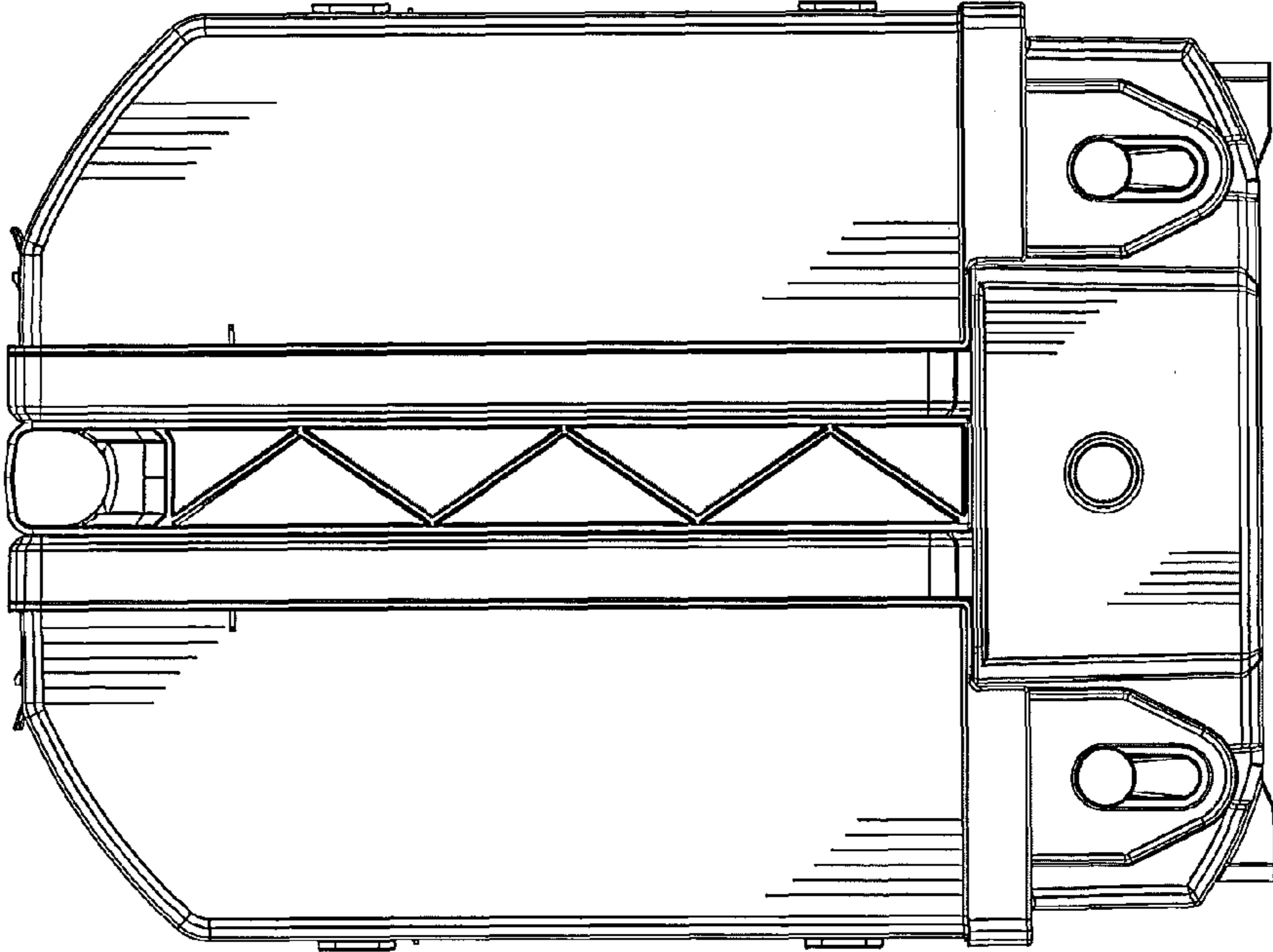


FIG.4

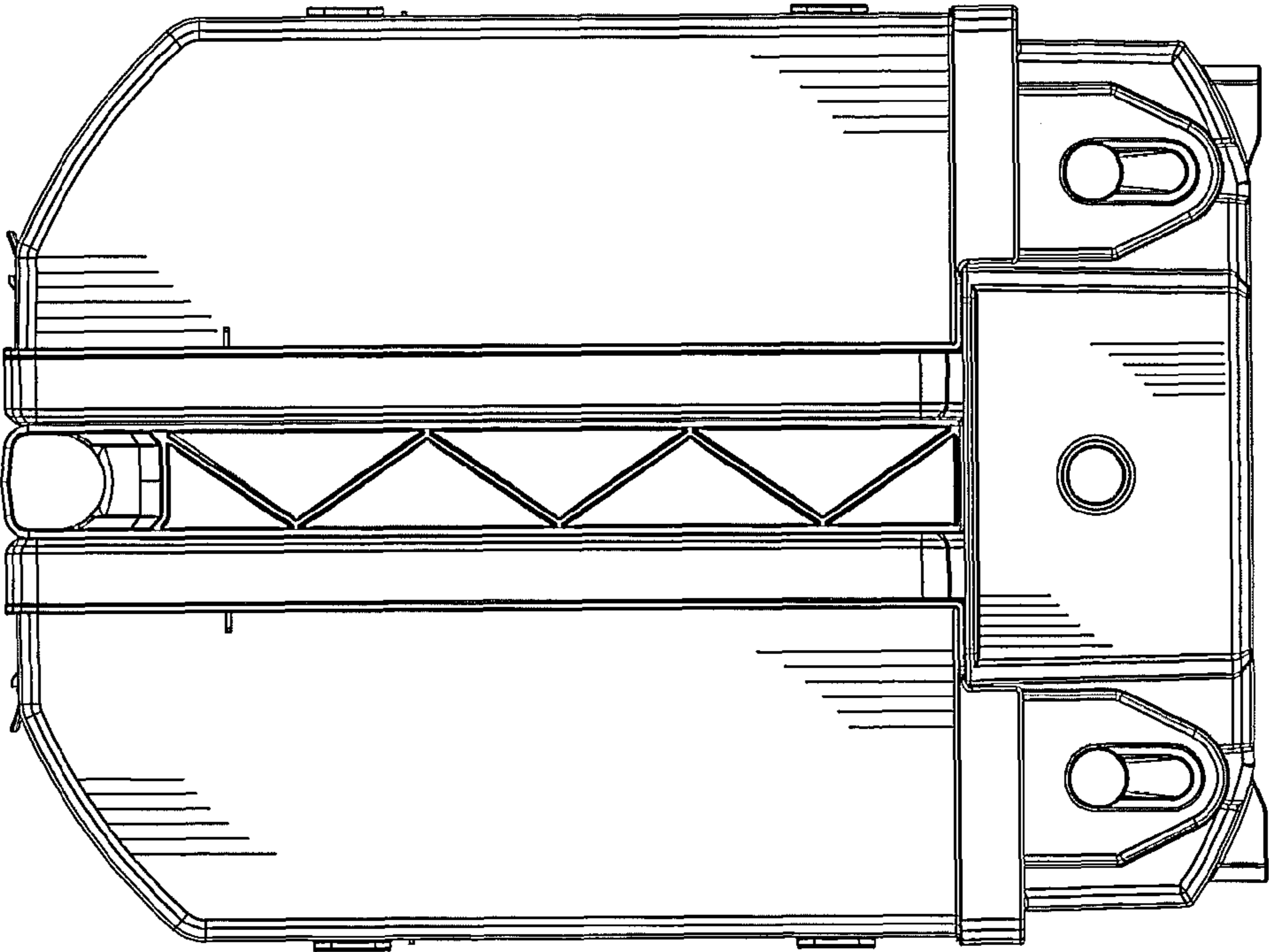


FIG.5

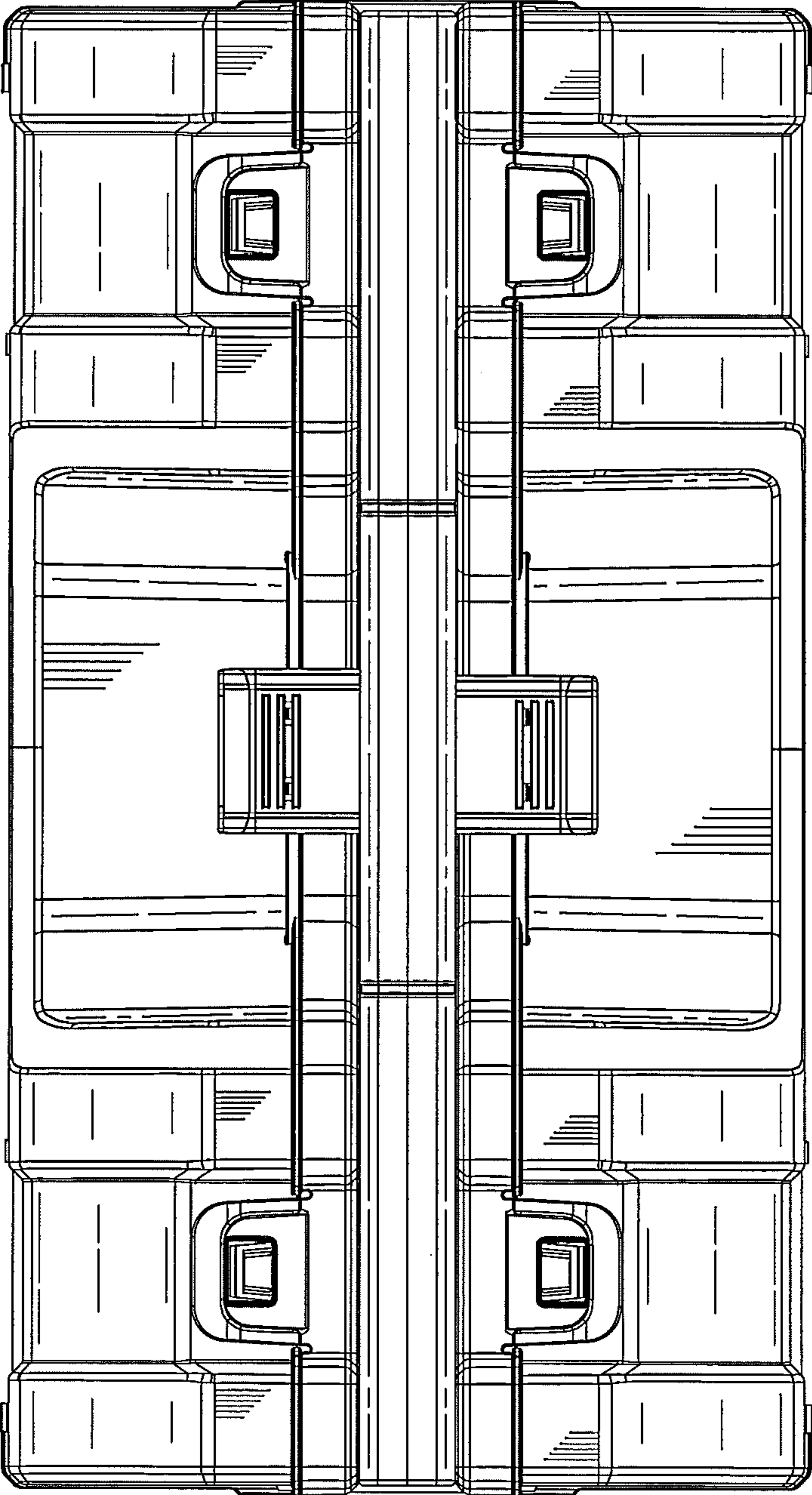


FIG.6

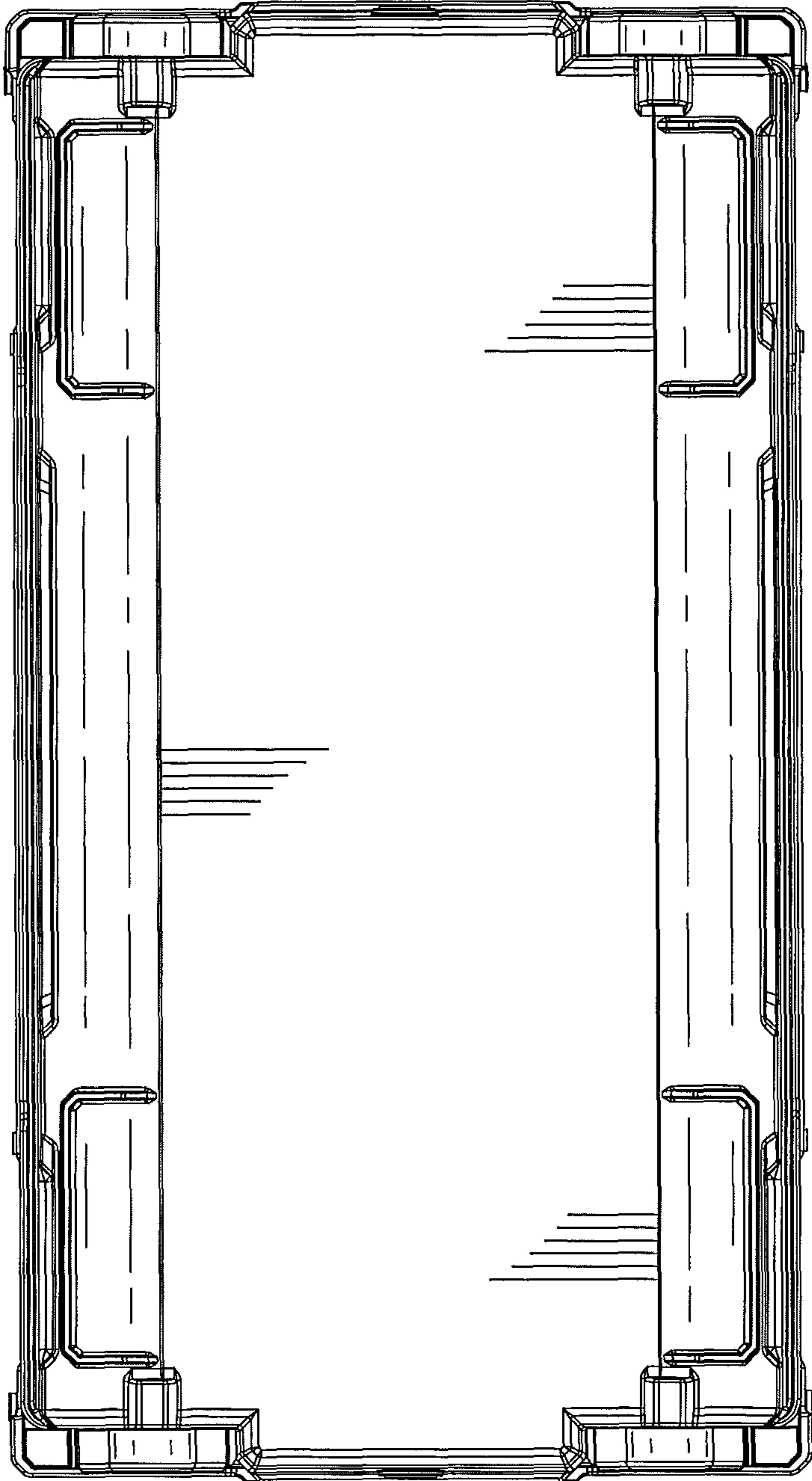


FIG.7