



US00D721491S

(12) **United States Design Patent**  
**Wang**

(10) **Patent No.:** **US D721,491 S**  
(45) **Date of Patent:** **\*\* Jan. 27, 2015**

(54) **TOOL BOX**

(71) Applicant: **Eupin Wang**, New Taipei (TW)

(72) Inventor: **Eupin Wang**, New Taipei (TW)

(\*\*) Term: **14 Years**

(21) Appl. No.: **29/462,964**

(22) Filed: **Aug. 11, 2013**

(51) **LOC (10) Cl.** ..... **03-01**

(52) **U.S. Cl.**  
USPC ..... **D3/273**; D3/294; D3/905

(58) **Field of Classification Search**  
CPC . B25H 3/02–3/028; B25H 3/00; B25H 3/003;  
B25H 3/006  
USPC ..... D3/276, 279, 281, 282, 284, 291, 294,  
D3/295, 297, 298, 901, 905, 288, 292, 273,  
D3/302; 206/372–379, 1.7; 220/523–528,  
220/324; D19/106, 83

See application file for complete search history.

(56) **References Cited**

**U.S. PATENT DOCUMENTS**

D106,968 S *	11/1937	De Witt	.....	D3/294
D232,523 S *	8/1974	Nudell	.....	D3/203.3
D254,122 S *	2/1980	Wintz	.....	D3/224
D264,396 S *	5/1982	Harvey et al.	.....	D3/294
D283,561 S *	4/1986	Geist	.....	D3/296
D333,727 S *	3/1993	Schurman	.....	D3/292
5,394,966 A *	3/1995	Chow	.....	190/119
D389,639 S *	1/1998	Priebe	.....	D3/203.8
D469,607 S *	2/2003	Wolff	.....	D3/294
D473,376 S *	4/2003	Abate	.....	D3/294

D477,912 S *	8/2003	Cunningham et al.	.....	D3/273
D555,902 S *	11/2007	Pendergraph et al.	.....	D3/273
D606,308 S *	12/2009	Cheng-Wei	.....	D3/294
D610,192 S *	2/2010	Shih	.....	D18/17
D624,317 S *	9/2010	Wenche et al.	.....	D3/294
8,348,057 B1 *	1/2013	Lee	.....	206/378
8,677,661 B2 *	3/2014	Michels et al.	.....	40/312
2005/0205372 A1 *	9/2005	Chen	.....	190/37
2006/0260963 A1 *	11/2006	Ke	.....	206/349
2013/0126542 A1 *	5/2013	Lorek et al.	.....	220/810

\* cited by examiner

*Primary Examiner* — Jennifer Rivard

*Assistant Examiner* — April Rivas

(74) *Attorney, Agent, or Firm* — Patent Office of Bang Shia

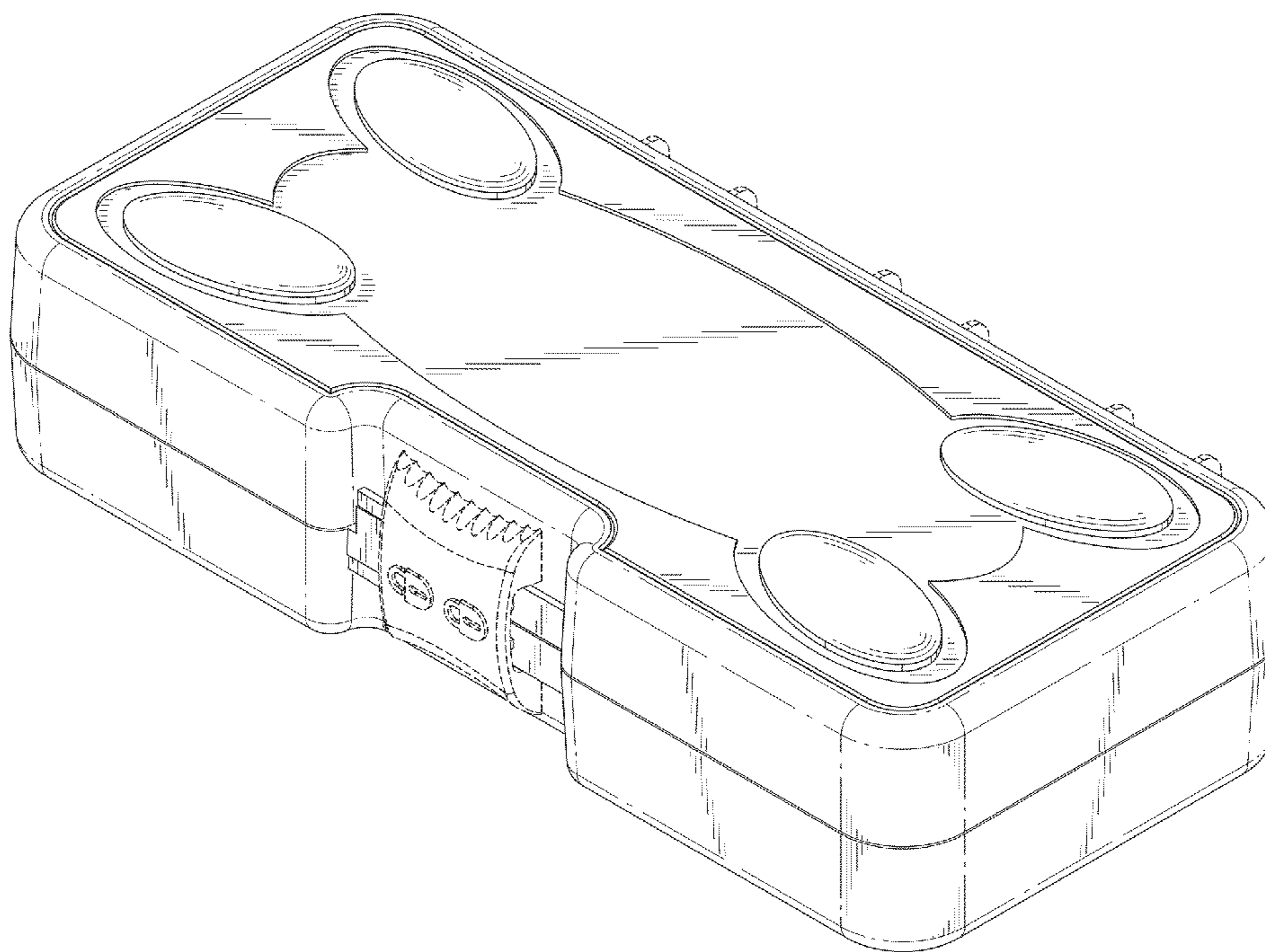
(57) **CLAIM**

The ornamental design for a tool box, as shown and described.

**DESCRIPTION**

FIG. 1 is a perspective view of a tool box showing my new design;  
FIG. 2 is a front elevational view thereof;  
FIG. 3 is a rear elevational view thereof;  
FIG. 4 is a left side elevational view thereof;  
FIG. 5 is a right side elevational view thereof;  
FIG. 6 is a top plan view thereof;  
FIG. 7 is a bottom plan view thereof; and,  
FIG. 8 is a rear perspective view thereof.  
The broken lines shown in the drawings illustrate portions of the tool box and form no part of the claimed design.

**1 Claim, 7 Drawing Sheets**



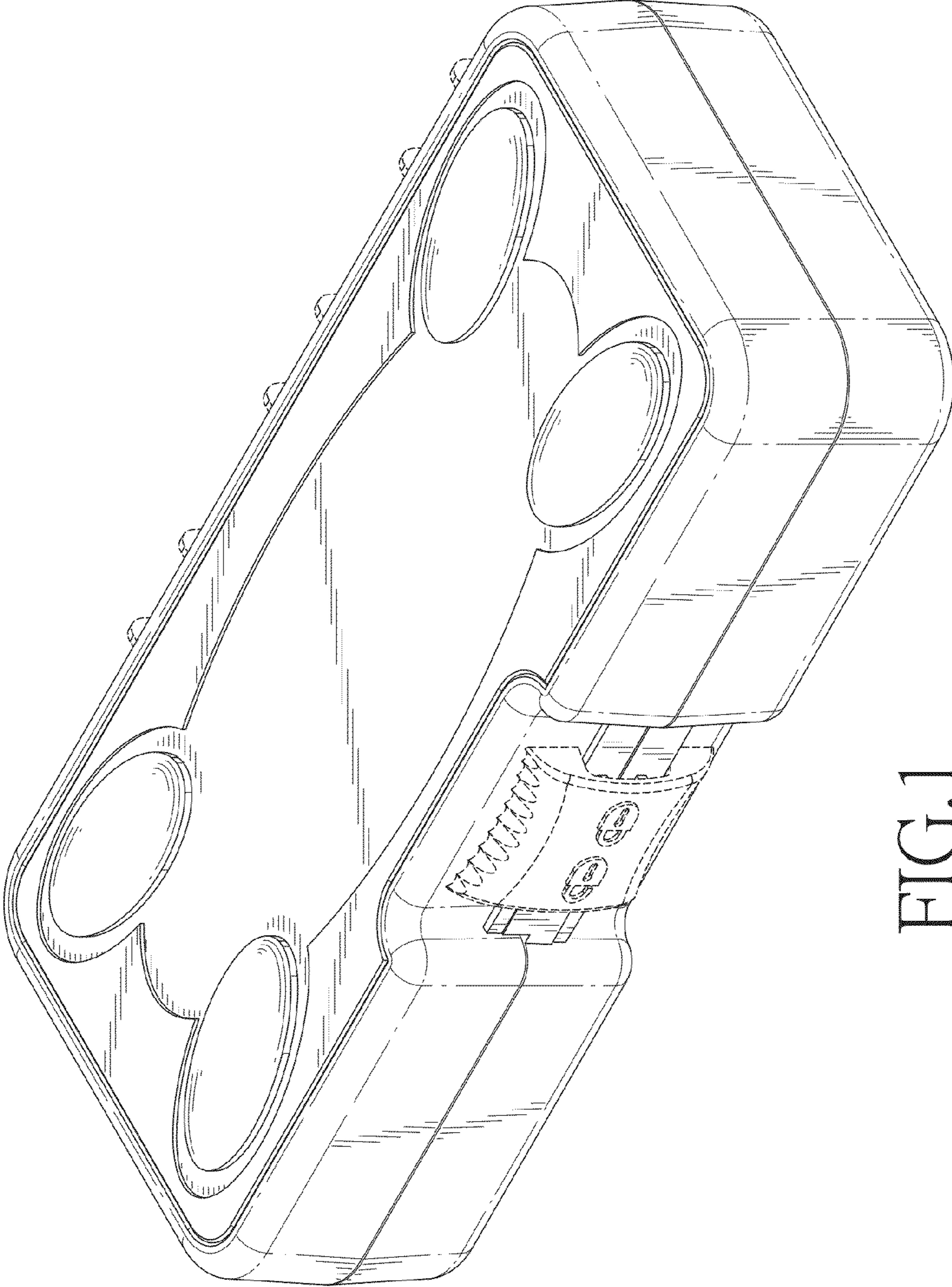


FIG.1

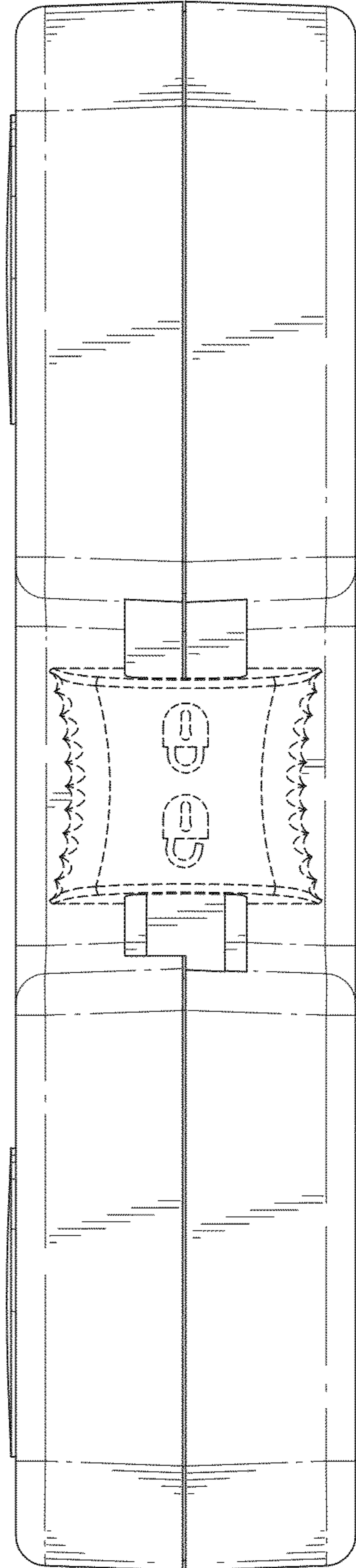


FIG.2

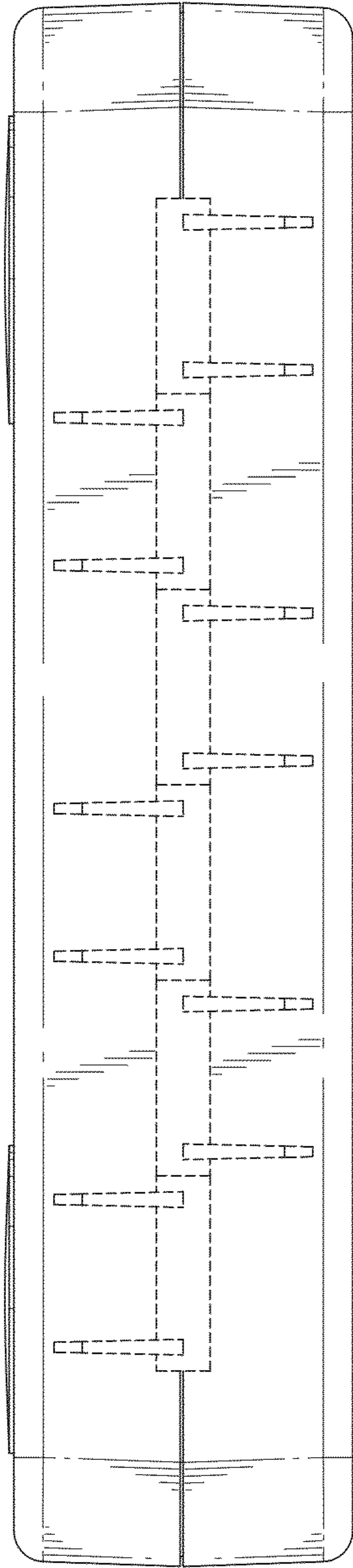


FIG.3

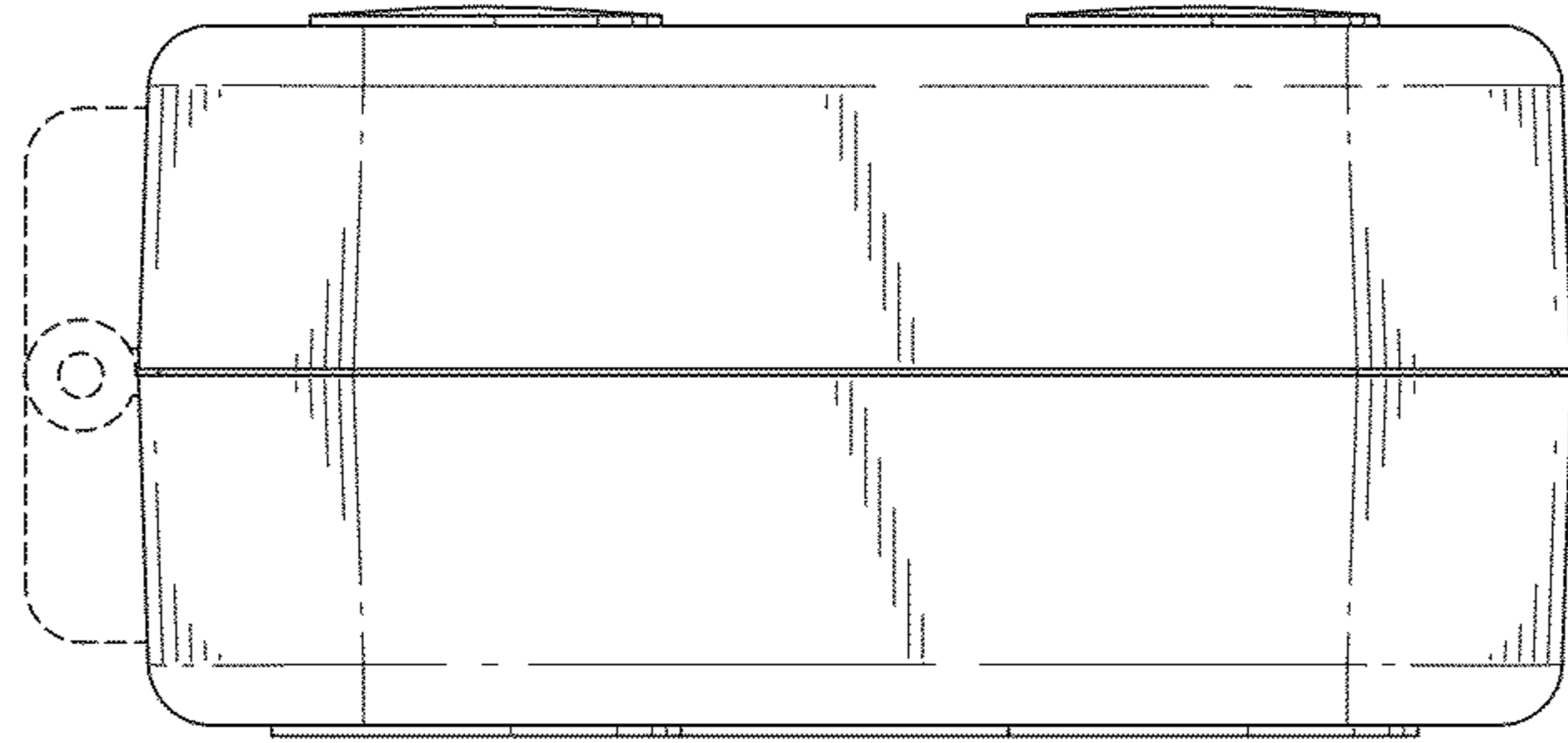


FIG. 4

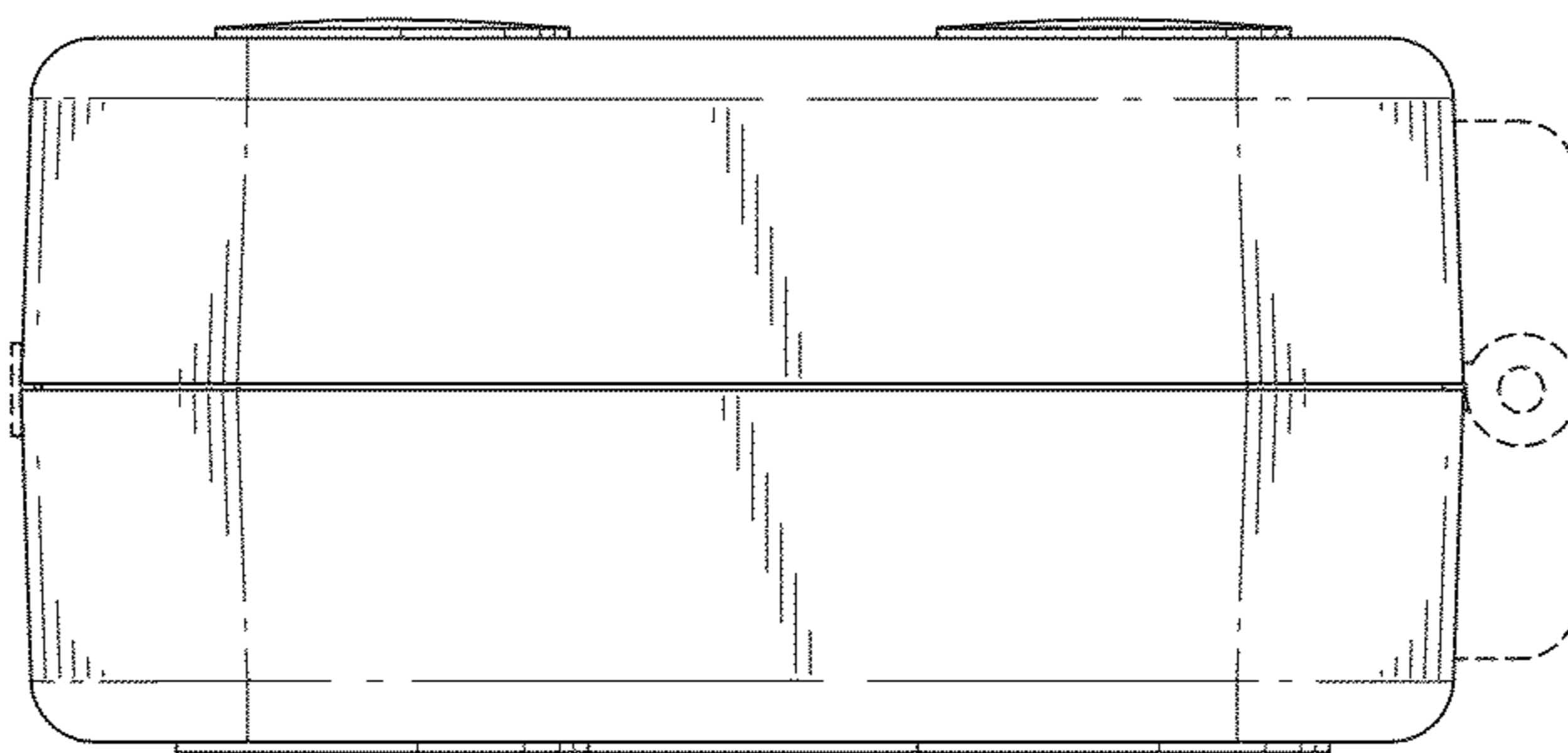


FIG. 5

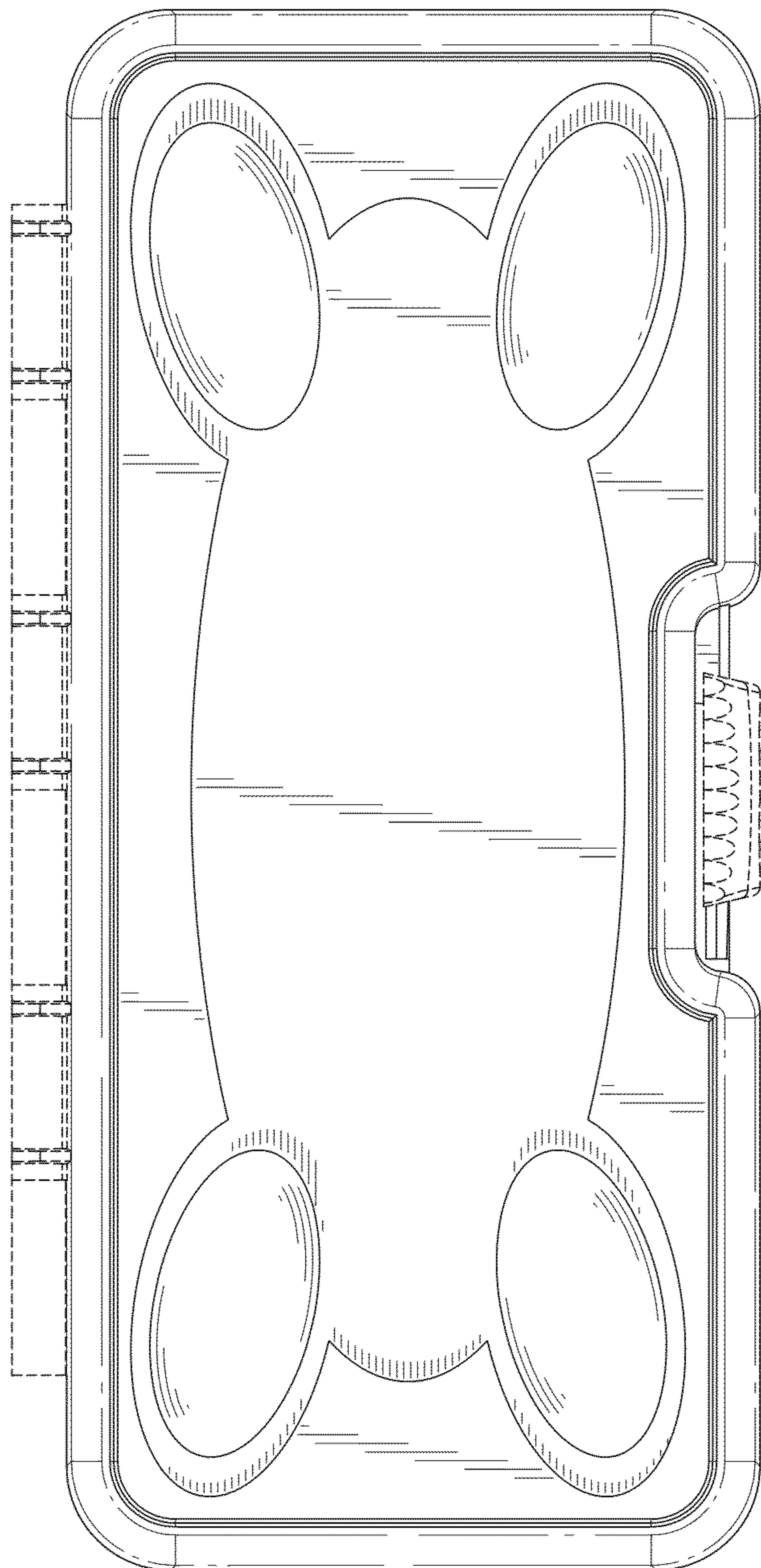


FIG.6

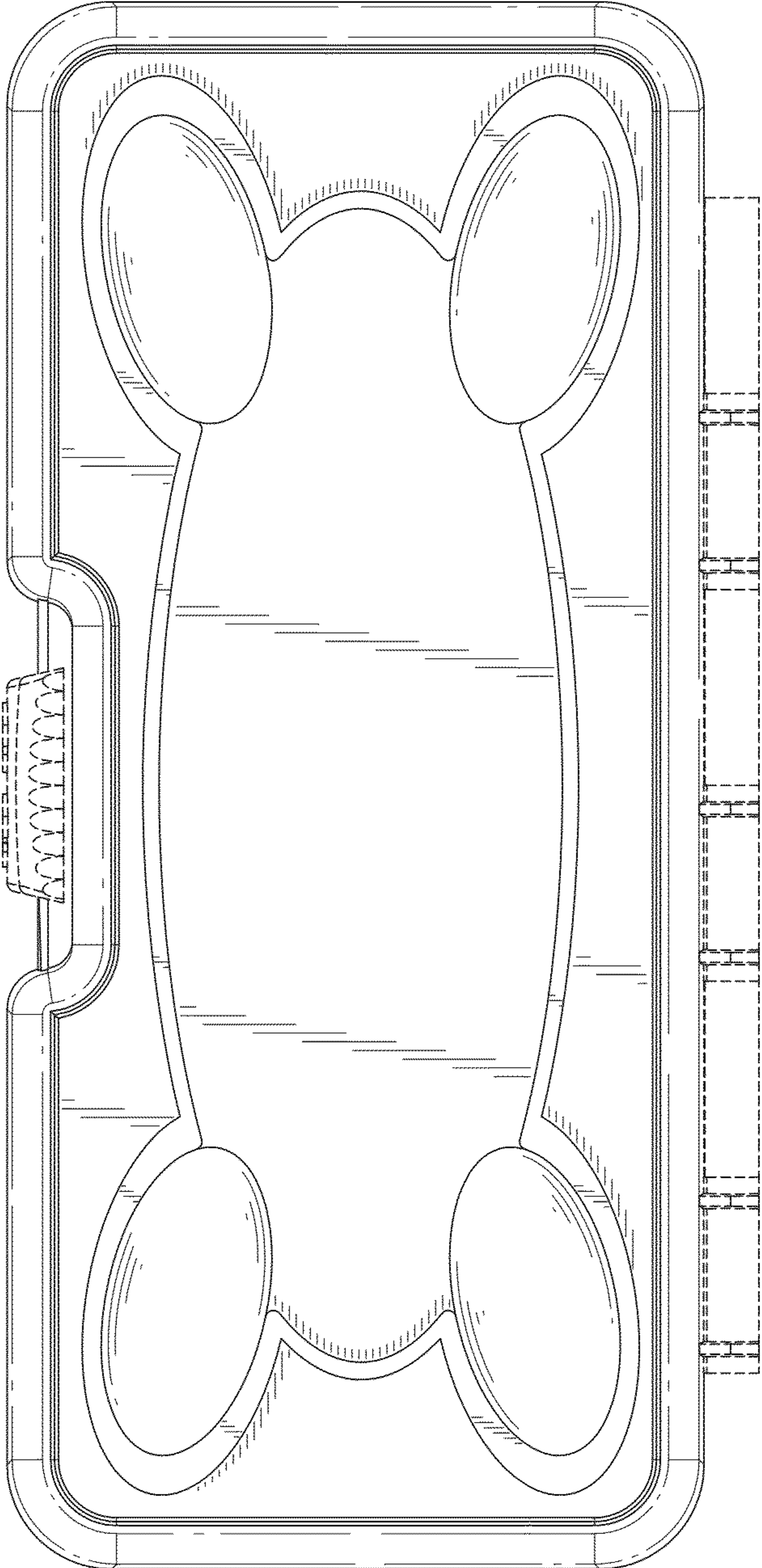


FIG. 7

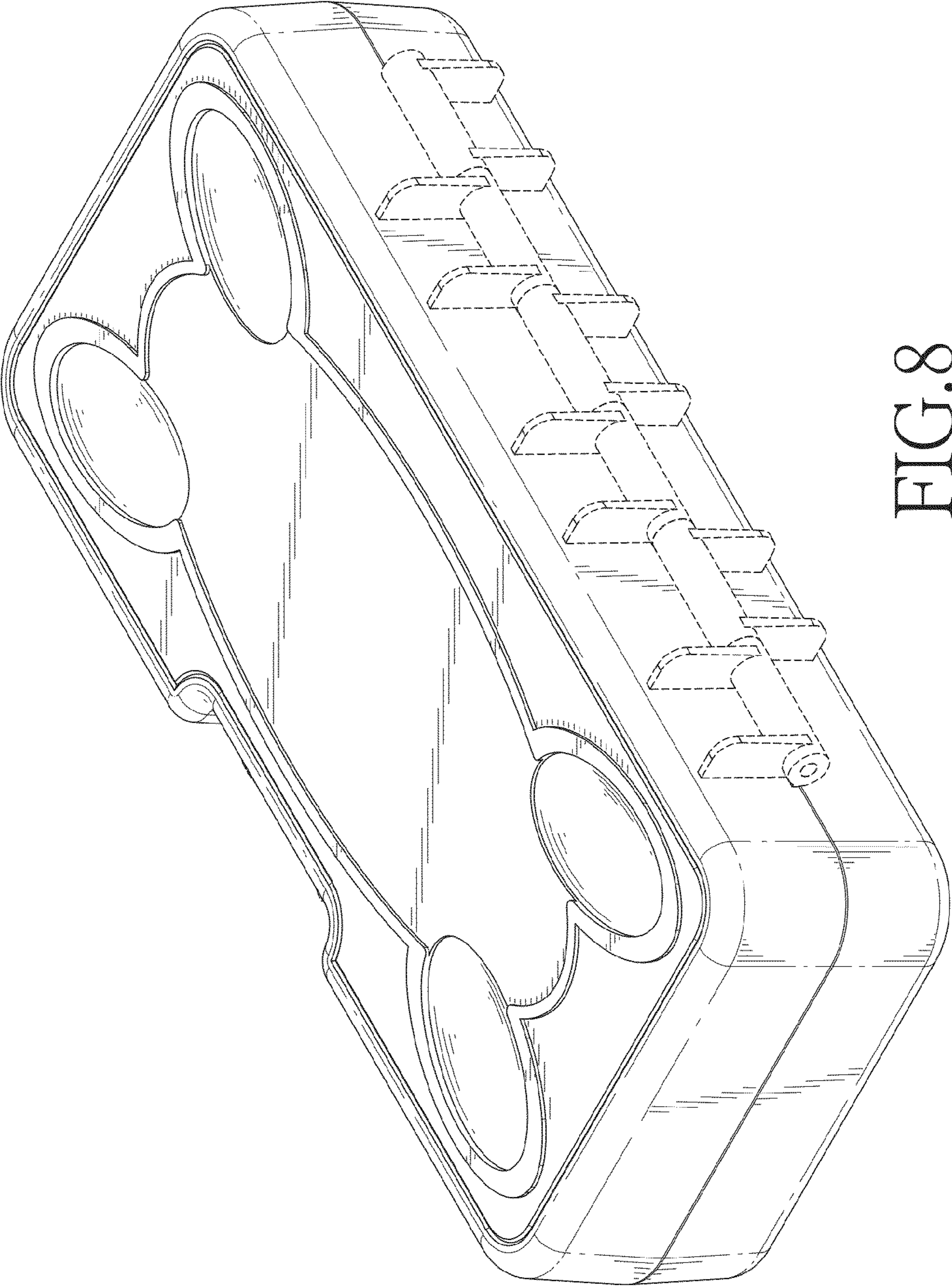


FIG. 8