



US00D721490S

(12) **United States Design Patent**  
**Batton**

(10) **Patent No.:** **US D721,490 S**  
(45) **Date of Patent:** **\*\* Jan. 27, 2015**

(54) **JEWELRY ALBUM**

(71) Applicant: **Cathy Batton**, Miami, FL (US)

(72) Inventor: **Cathy Batton**, Miami, FL (US)

(\*\*) Term: **14 Years**

(21) Appl. No.: **29/441,615**

(22) Filed: **Jan. 8, 2013**

(51) **LOC (10) Cl.** ..... **03-01**

(52) **U.S. Cl.**  
USPC ..... **D3/271.5; D3/903**

(58) **Field of Classification Search**  
USPC ..... 206/457, 472, 566, 6.1; 312/204;  
D3/270, 271.1, 271.5, 273, 294, 295,  
D3/299, 901, 903; D6/301, 303  
See application file for complete search history.

(56) **References Cited**

**U.S. PATENT DOCUMENTS**

D266,115	S	*	9/1982	Glenn et al.	.....	D3/295
4,720,012	A	*	1/1988	Dufour	.....	206/472
4,848,585	A	*	7/1989	Snyder	.....	206/566
D317,380	S	*	6/1991	Snyder	.....	D3/295
5,141,300	A	*	8/1992	Ciesla	.....	312/204
D348,155	S	*	6/1994	McCreary et al.	.....	D3/295
D373,020	S	*	8/1996	Martin	.....	D3/273
D382,731	S	*	8/1997	Martin	.....	D6/469
D393,542	S	*	4/1998	Thompson	.....	D3/294
D525,030	S	*	7/2006	Farmer	.....	D3/271.5

\* cited by examiner

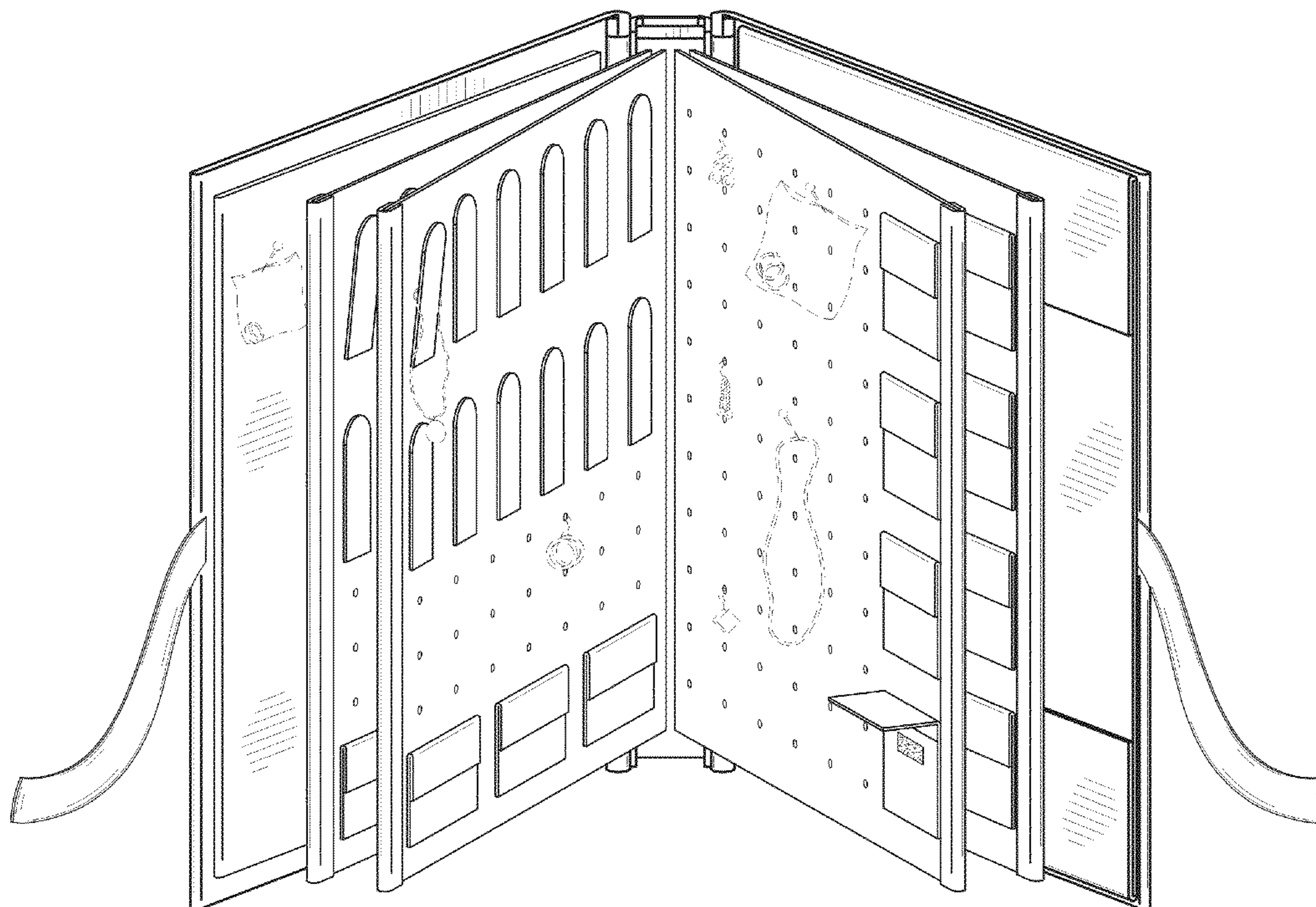
*Primary Examiner* — Adir Aronovich  
*Assistant Examiner* — Ethiene Salgado-Rodriguez  
(74) *Attorney, Agent, or Firm* — Carol N. Green, Esq.

(57) **CLAIM**  
The ornamental design for the jewelry album, as shown and described.

**DESCRIPTION**

FIG. 1 is a front perspective view of a jewelry album in an open position, showing my new design.  
FIG. 2 is a rear perspective view thereof.  
FIG. 3 is a right side perspective view as seen from the front, showing exemplary pages with jewelry attached thereto.  
FIG. 4 is a top plan view thereof.  
FIG. 5 is a bottom plan view thereof.  
FIG. 6 is front elevational view thereof.  
FIG. 7 is rear elevational view thereof.  
FIG. 8 is a right elevational view thereof.  
FIG. 9 is a left elevational view thereof.  
FIG. 10 is a front elevational view thereof in the closed position.  
FIG. 11 is a front perspective view thereof, closed and tied showing the closure panels folded down; and,  
FIG. 12 is a front perspective view thereof, showing the closure panels folded out in place, sealing the jewelry album.  
The phantom lines in FIG. 3 showing of jewelry and jewelry bags are shown for the purpose of illustrating environment only and form no part of the claimed design.

**1 Claim, 12 Drawing Sheets**



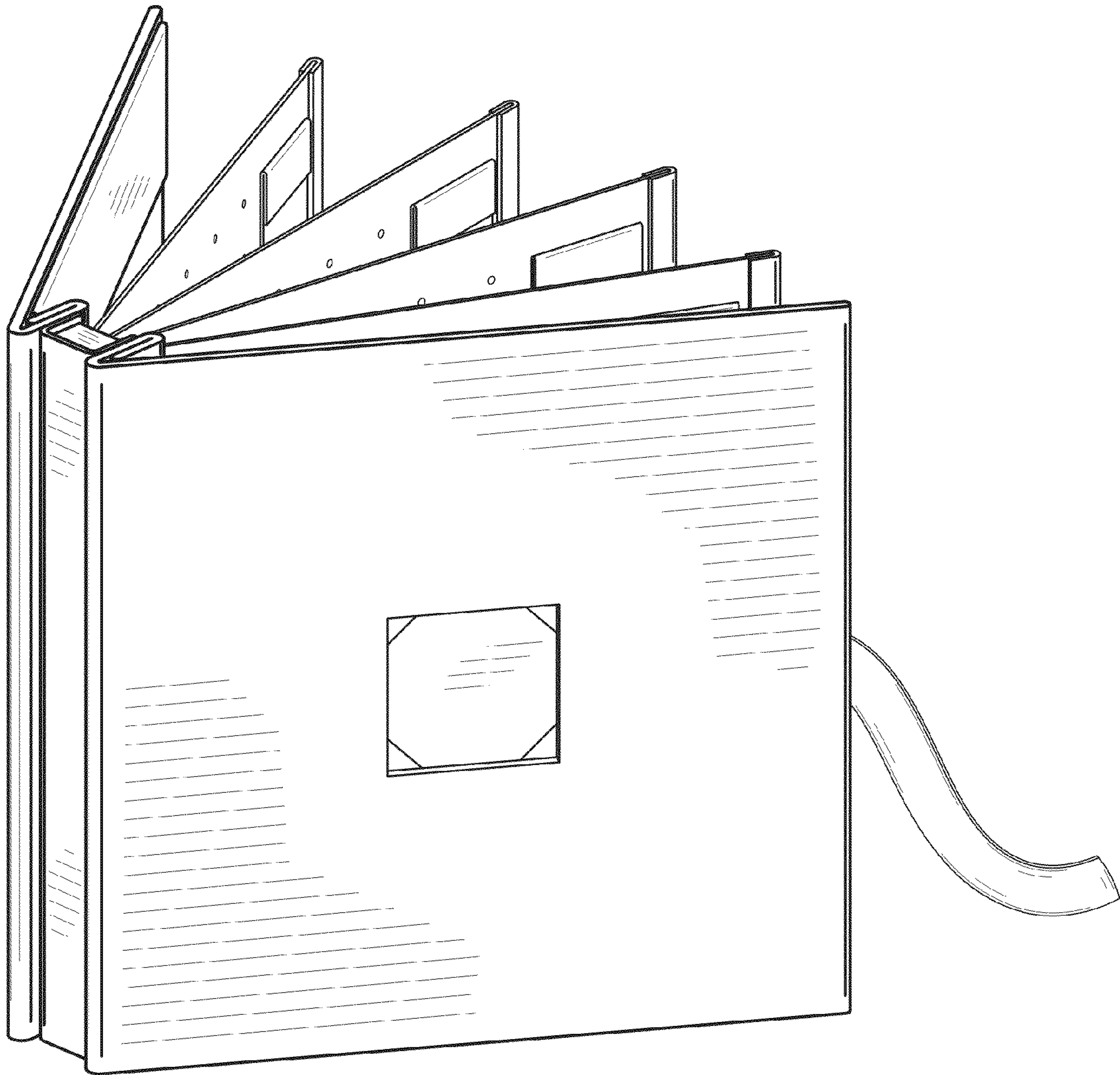


FIG. 1



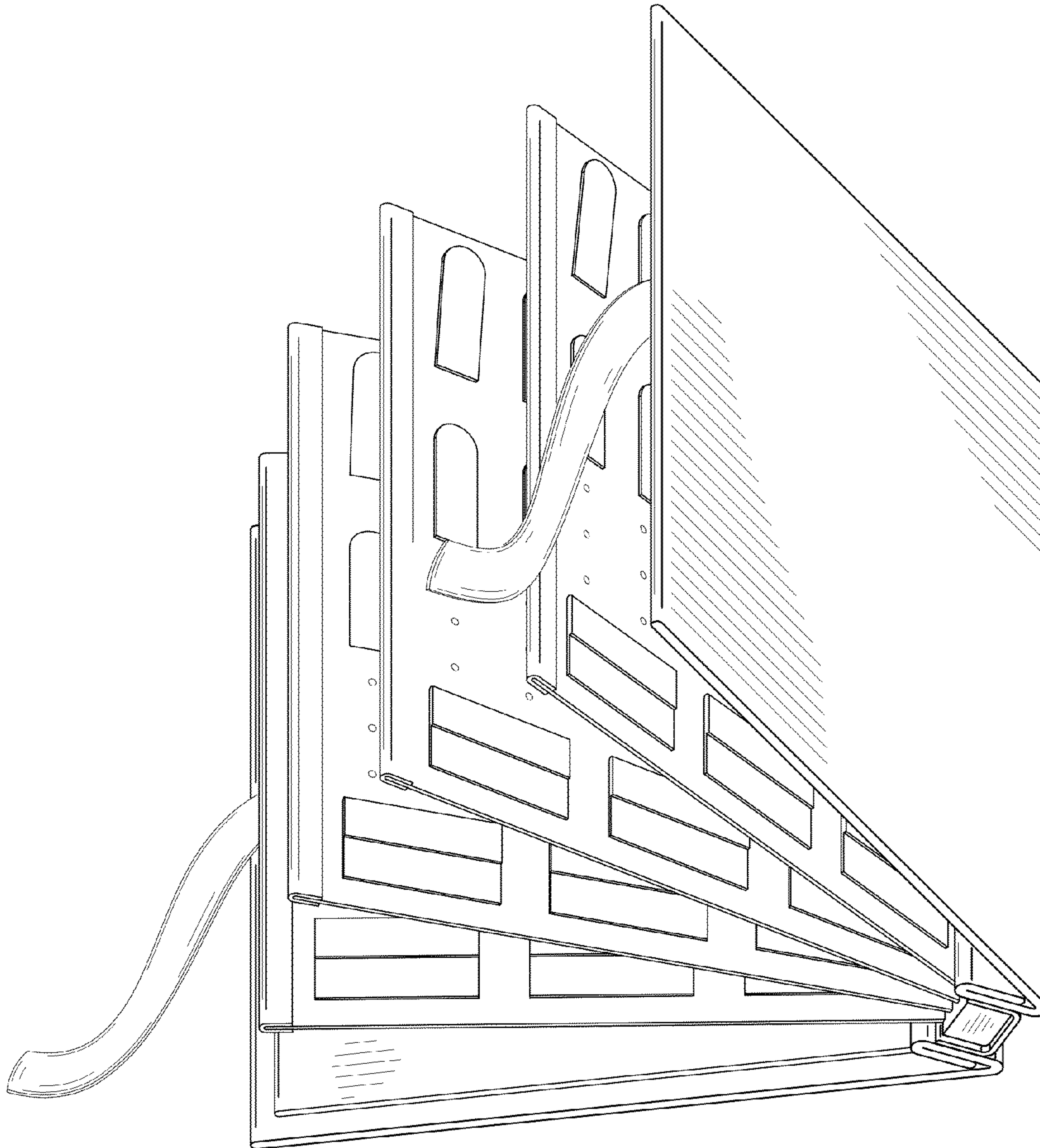


FIG. 2

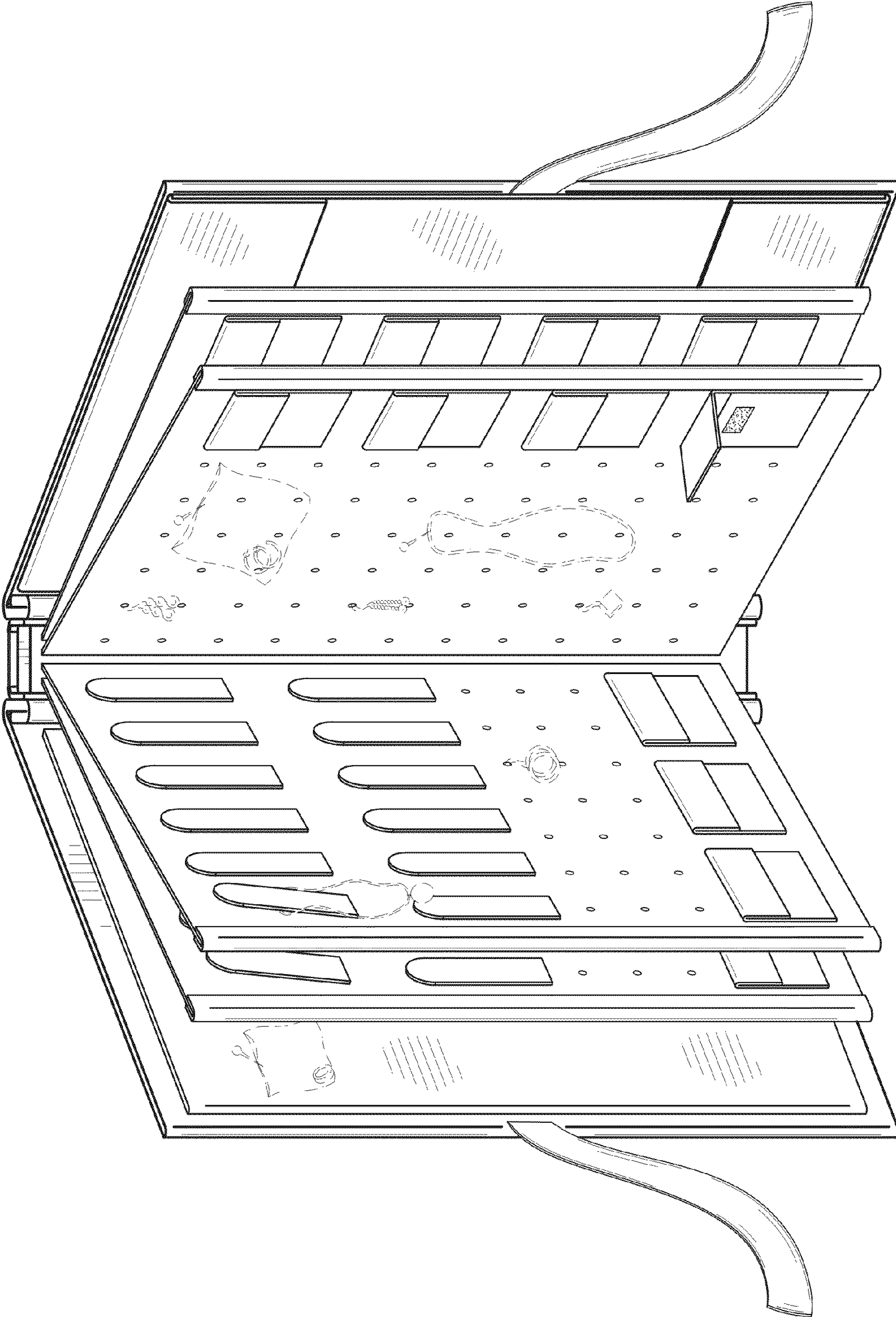


FIG. 3

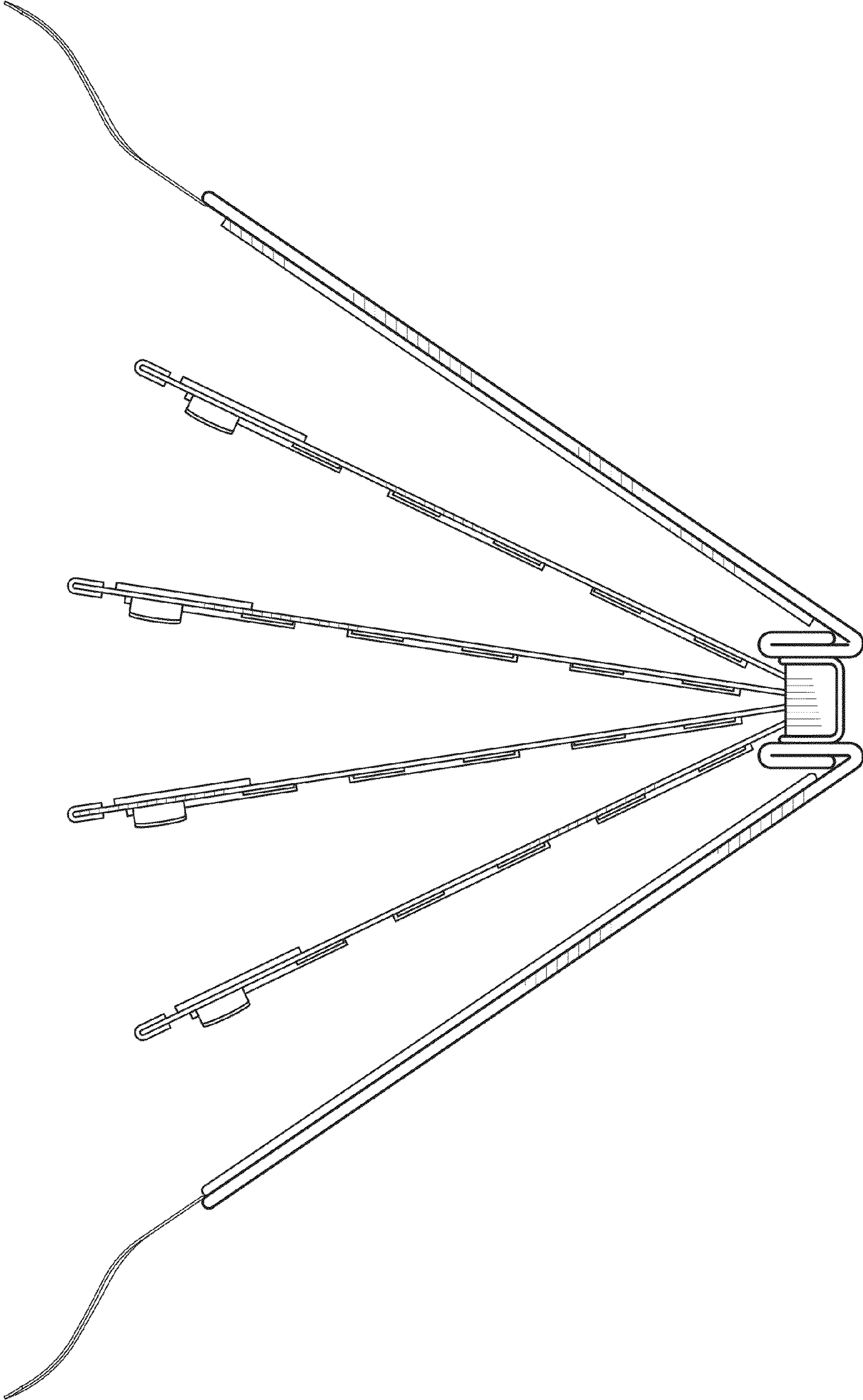


FIG. 4



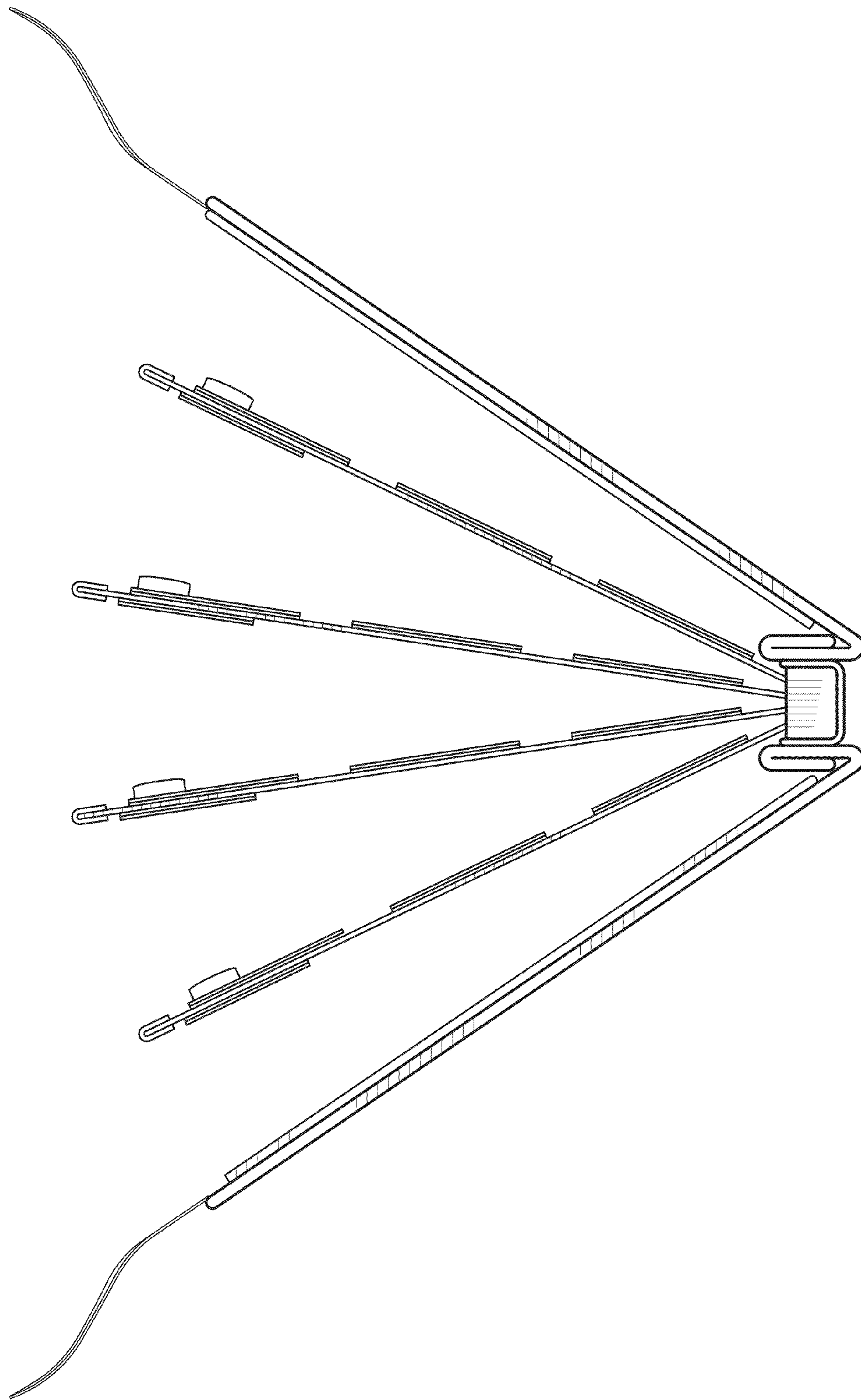


FIG. 5

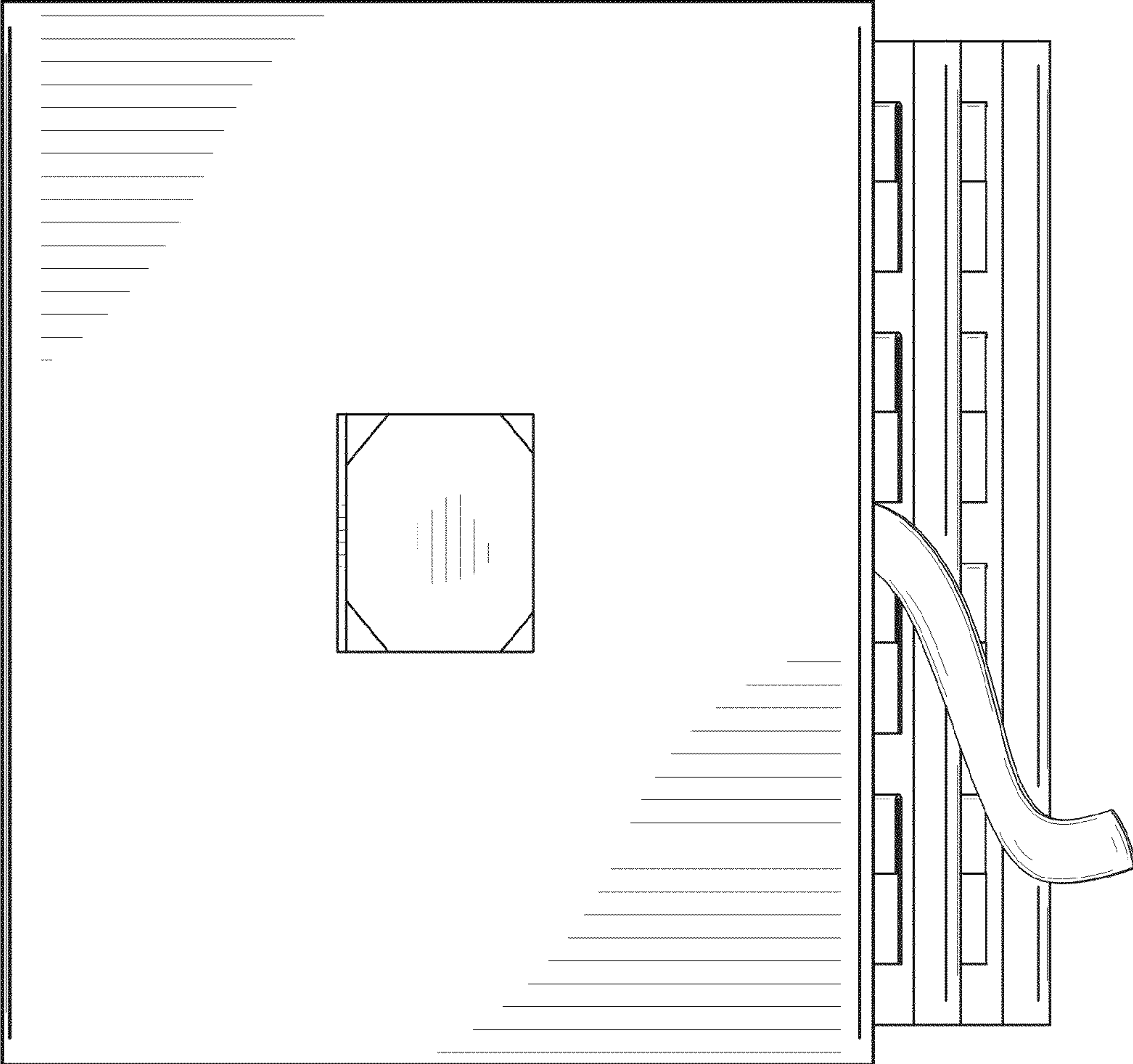


FIG. 6

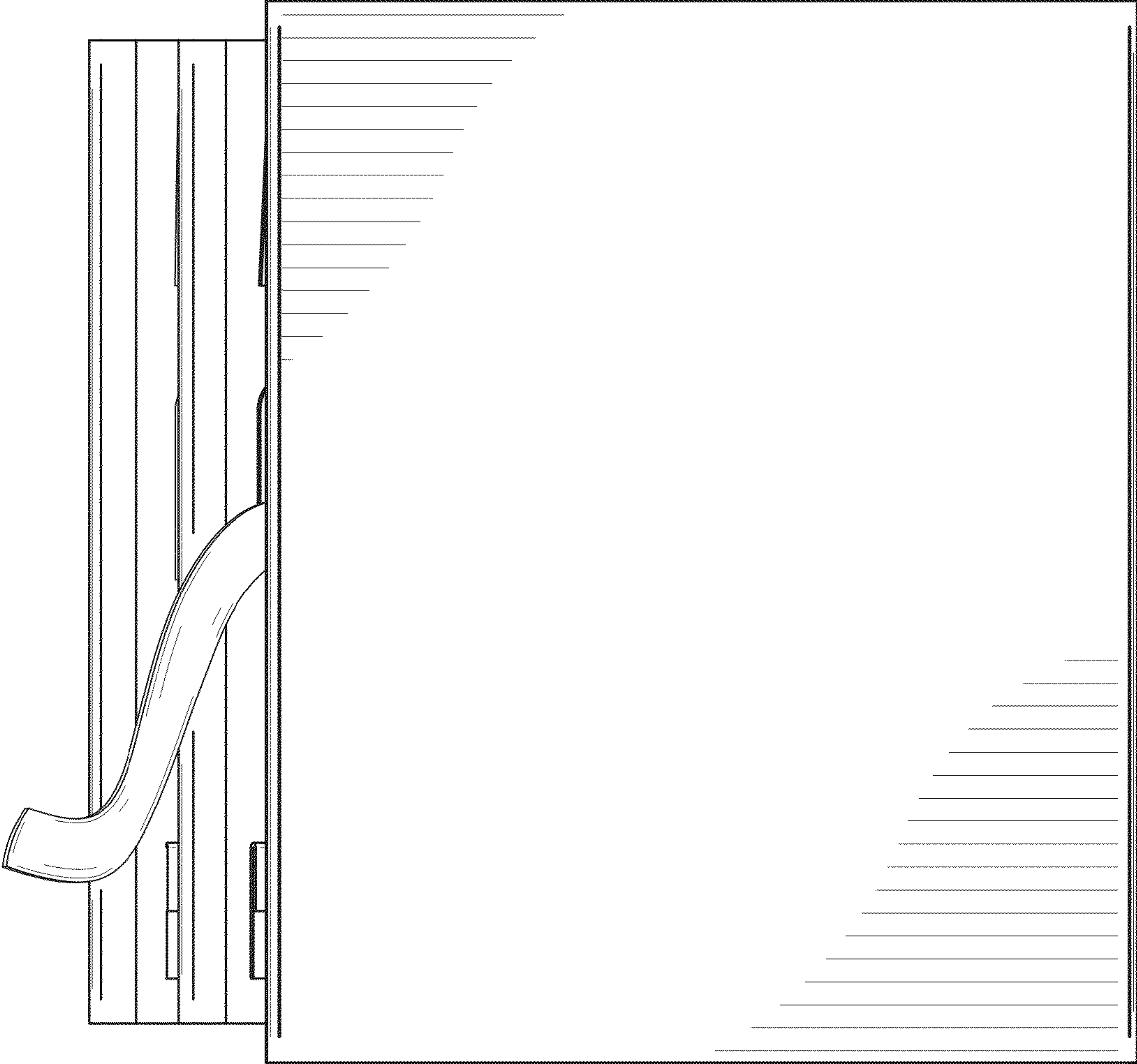


FIG. 7



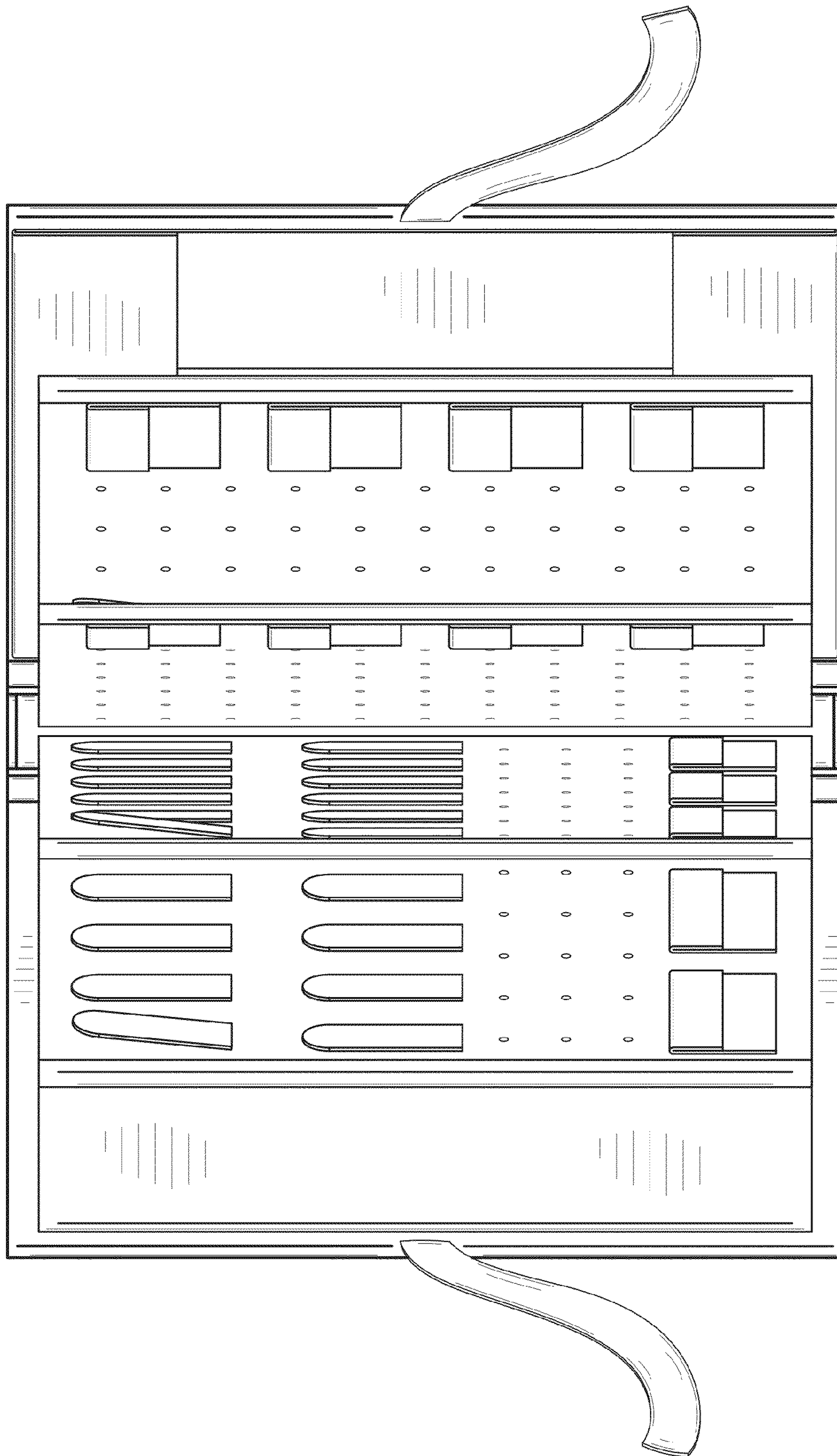


FIG. 8

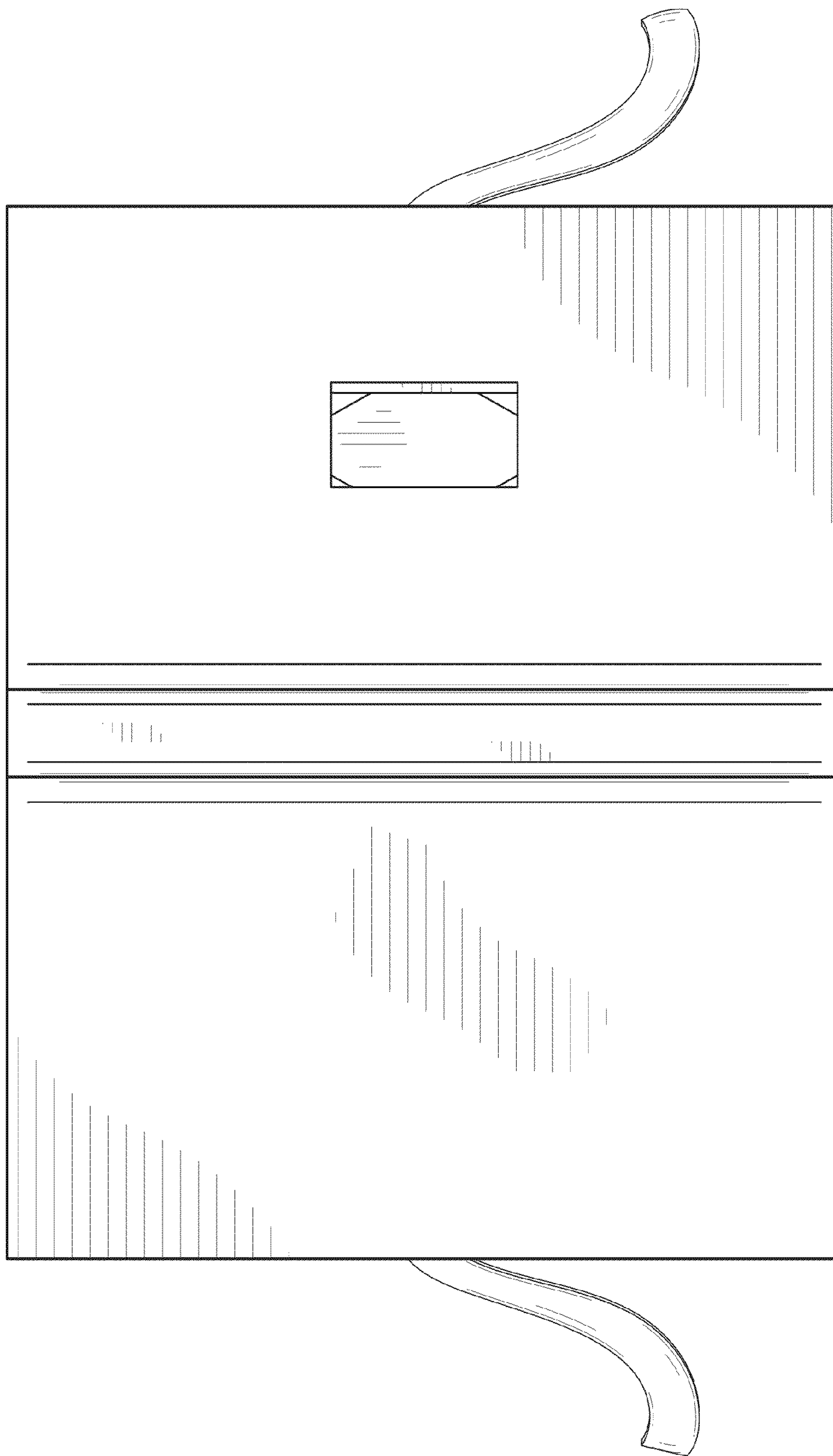


FIG. 9

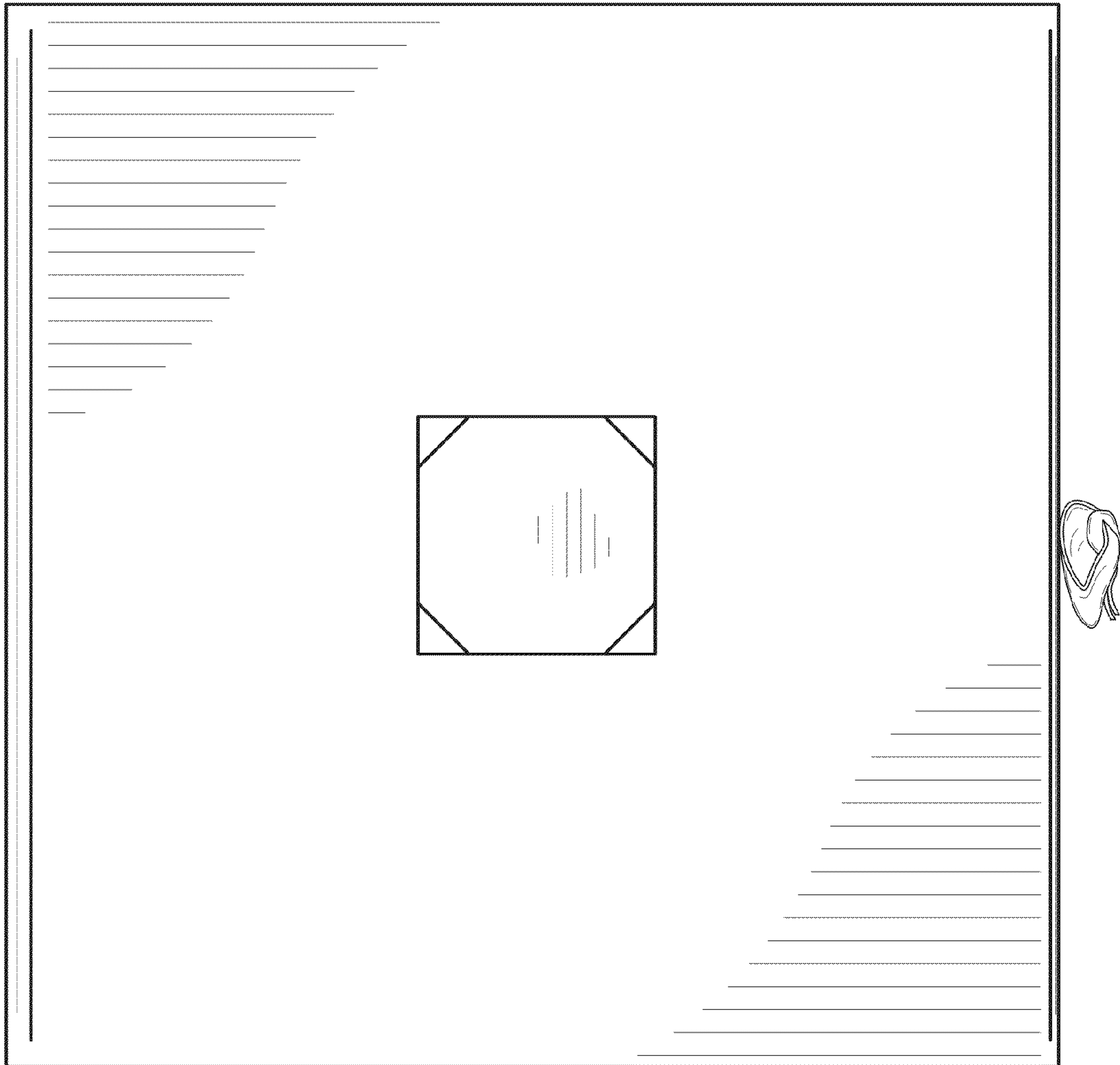


FIG. 10



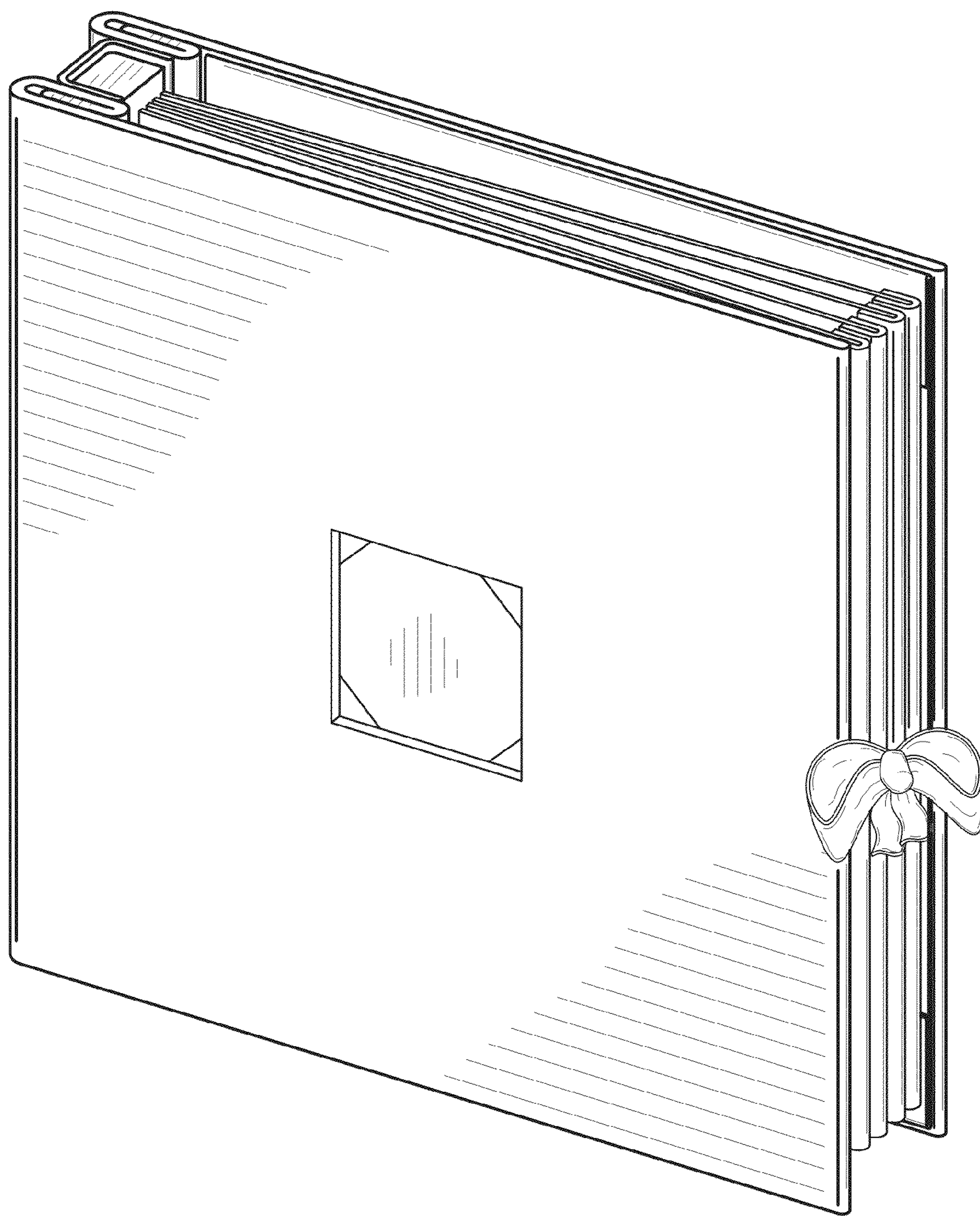


FIG. 11

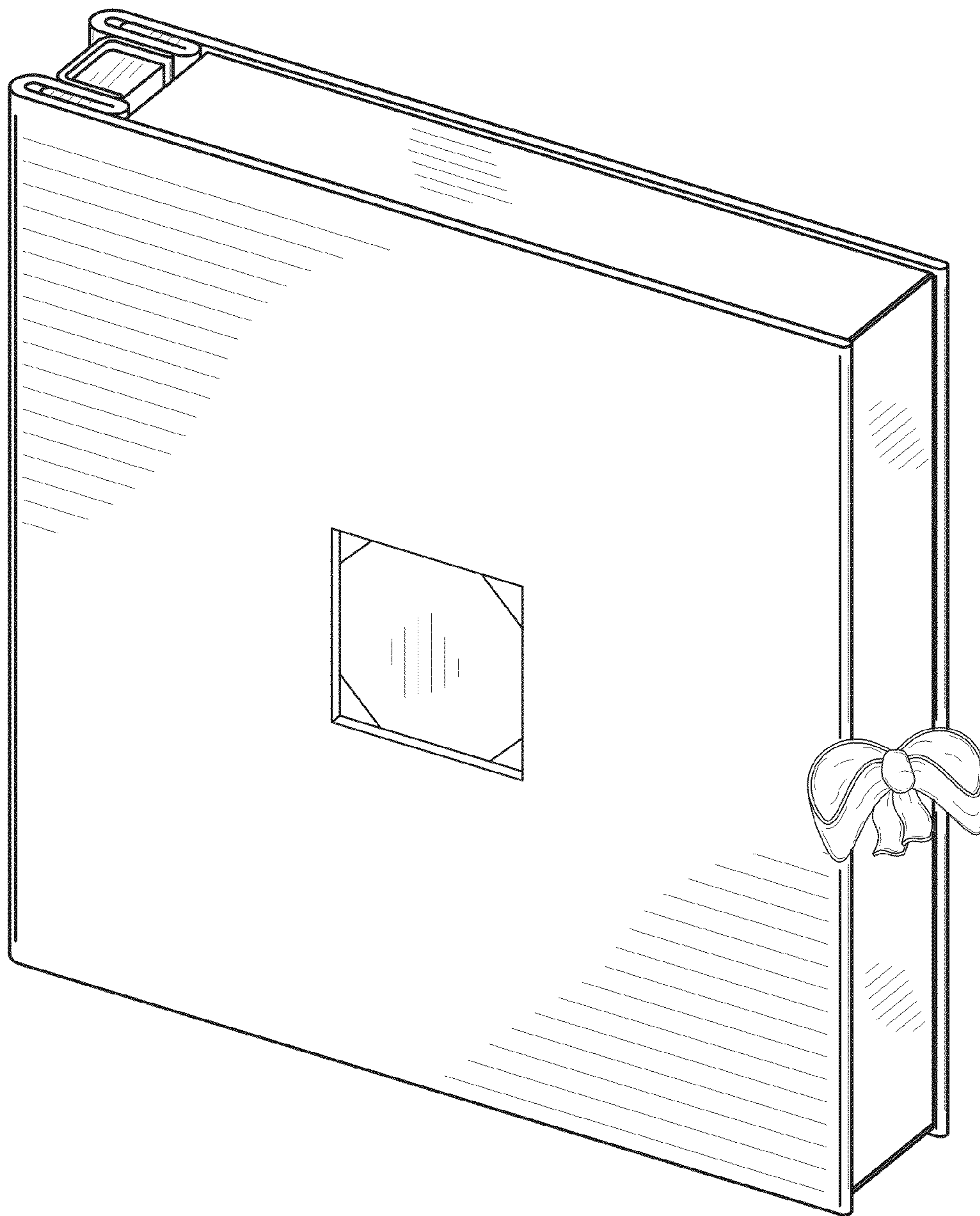


FIG. 12