



US00D721489S

(12) **United States Design Patent**
Minneman

(10) **Patent No.:** **US D721,489 S**
(45) **Date of Patent:** **** Jan. 27, 2015**

- (54) **AMMUNITION STORAGE CONTAINER**
- (71) Applicant: **Steven W. Minneman**, Clayton, OH (US)
- (72) Inventor: **Steven W. Minneman**, Clayton, OH (US)
- (73) Assignee: **MTM Molded Products Company**, Dayton, OH (US)

- 4,274,539 A 6/1981 Rabeneck et al.
- 4,369,717 A 1/1983 Bollier
- 4,394,144 A 7/1983 Aoki
- D281,305 S 11/1985 Fortuna
- D282,896 S 3/1986 Conti et al.
- 4,582,668 A 4/1986 Mallory et al.
- 4,625,658 A 12/1986 Hodges
- 4,665,668 A 5/1987 Serpico
- 4,669,625 A 6/1987 Armstrong
- D312,160 S 11/1990 Calvi
- 5,029,699 A 7/1991 Insley et al.
- D322,753 S 12/1991 Sussman
- 5,117,593 A 6/1992 Tiernan
- D330,818 S 11/1992 Brandt
- 5,160,021 A 11/1992 Sibley et al.
- 5,179,901 A 1/1993 Adcock

(**) Term: **14 Years**
(21) Appl. No.: **29/461,306**

- (22) Filed: **Jul. 22, 2013**
- (51) **LOC (10) Cl.** **03-01**
- (52) **U.S. Cl.**
USPC **D3/262**
- (58) **Field of Classification Search**
USPC D3/262; 206/315.1, 315.11, 314, 317
See application file for complete search history.

(Continued)
Primary Examiner — Holly Baynham
(74) *Attorney, Agent, or Firm* — Jacox, Meckstroth & Jenkins

(57) **CLAIM**
The ornamental design for ammunition storage container, as shown and described.

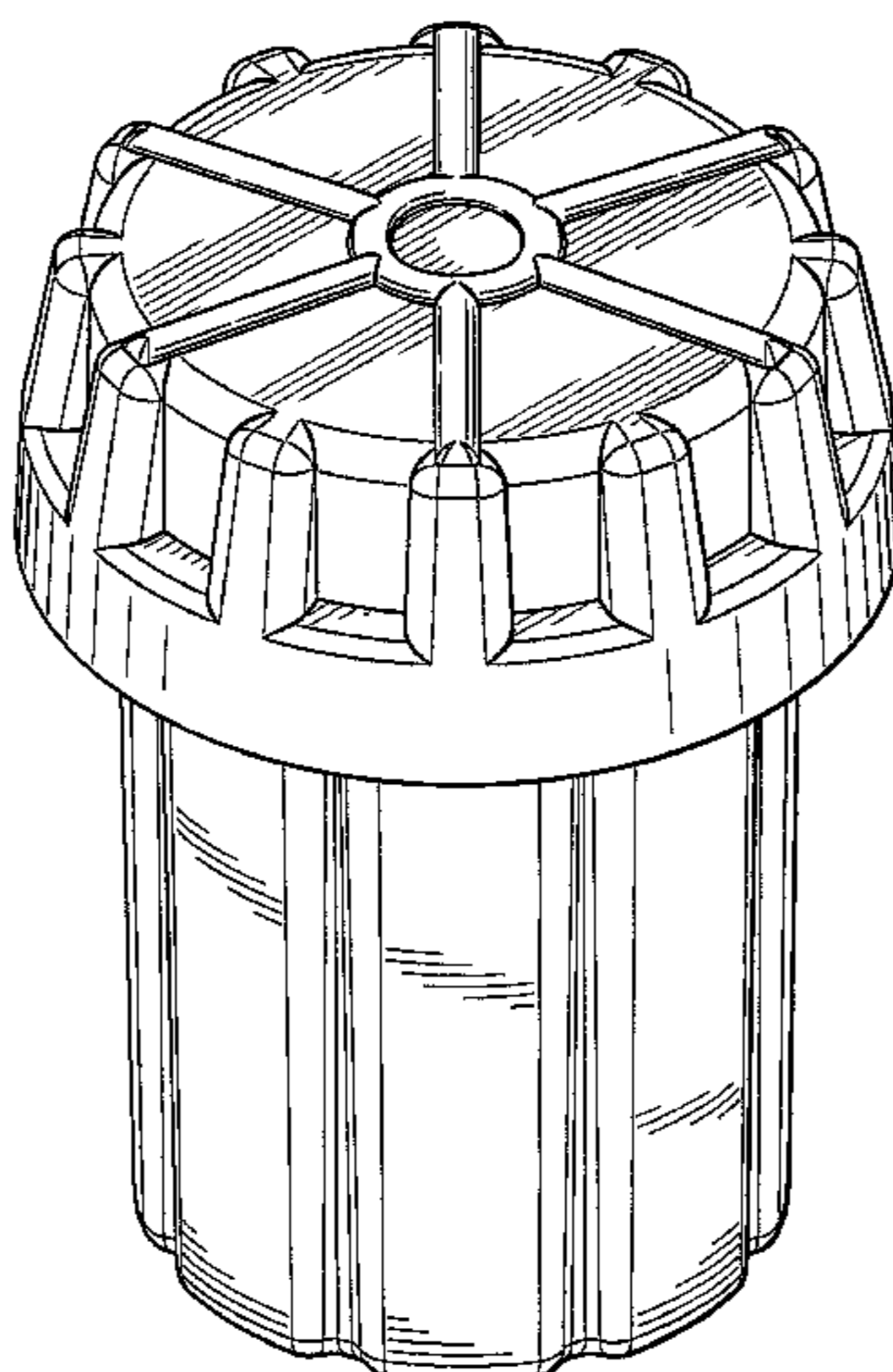
(56) **References Cited**
U.S. PATENT DOCUMENTS

- 801,100 A 10/1905 McFarland
- 1,954,667 A 4/1934 Ernst
- 1,965,296 A 7/1934 Miller
- D115,538 S 7/1939 Boros
- 2,326,414 A 8/1943 Thompson
- 2,337,456 A 12/1943 Draper
- 2,480,096 A 8/1949 Hoffman
- 2,610,443 A 9/1952 Carlson
- 2,705,088 A 3/1955 Blarcom
- 2,796,191 A 6/1957 Belanger
- 2,838,196 A 6/1958 Chapman
- 3,369,321 A 2/1968 Blackistone, Jr.
- 3,505,006 A 4/1970 White
- 3,672,103 A 6/1972 Kost
- D232,797 S 9/1974 Doolittle
- 3,837,521 A 9/1974 Huston et al.
- 4,042,143 A 8/1977 Biggins
- 4,065,020 A 12/1977 Carson
- 4,153,176 A 5/1979 Carson
- 4,162,740 A 7/1979 Jones

DESCRIPTION

FIG. 1 is an isometric view of an ammunition storage container in accordance with one embodiment;
FIG. 2 is a front elevational view with rear elevational view being identical view of the ammunition storage container shown in FIG. 1;
FIG. 3 is a right elevational view with left elevational view being identical of the ammunition storage container shown in FIG. 1;
FIG. 4 is a top plan view of the ammunition storage container shown in FIG. 1 with the left side being similar thereto;
FIG. 5 is a bottom plan view of another ammunition storage container for receiving the container shown in FIG. 1; and,
FIG. 6 is a bottom perspective view of the ammunition storage container shown in FIG. 1.
The portions shown in broken dashed line are for illustrative purposes and form no part of the claimed design.

1 Claim, 6 Drawing Sheets



(56)

References Cited

U.S. PATENT DOCUMENTS

D338,317 S 8/1993 Woodward
 D338,761 S 8/1993 Hector
 5,249,697 A 10/1993 McKinnon
 5,312,008 A 5/1994 Davis
 5,353,206 A 10/1994 Fejes
 5,603,401 A 2/1997 Brunner
 5,653,559 A 8/1997 Stieb et al.
 5,735,430 A 4/1998 Gorman
 5,862,932 A 1/1999 Walsh et al.
 D485,040 S 1/2004 Barmes, Sr.
 6,786,349 B2 9/2004 Najd

7,581,655 B1 9/2009 Trangsrud
 D643,620 S * 8/2011 Gerbi D3/232
 8,096,439 B2 1/2012 Fogerlie
 D655,502 S * 3/2012 Sassi D3/245
 D659,392 S * 5/2012 Dolce et al. D3/245
 D671,740 S * 12/2012 Guichot D3/243
 2001/0019059 A1 9/2001 Petronelli
 2007/0068946 A1 3/2007 Marshall
 2007/0210087 A1 9/2007 McCormick et al.
 2008/0203097 A1 8/2008 da Silva et al.
 2011/0089071 A1 4/2011 Kuehn
 2012/0111866 A1 5/2012 Freeman
 2012/0168438 A1 7/2012 Tuunanen et al.
 2013/0015189 A1 1/2013 Kanervo

* cited by examiner

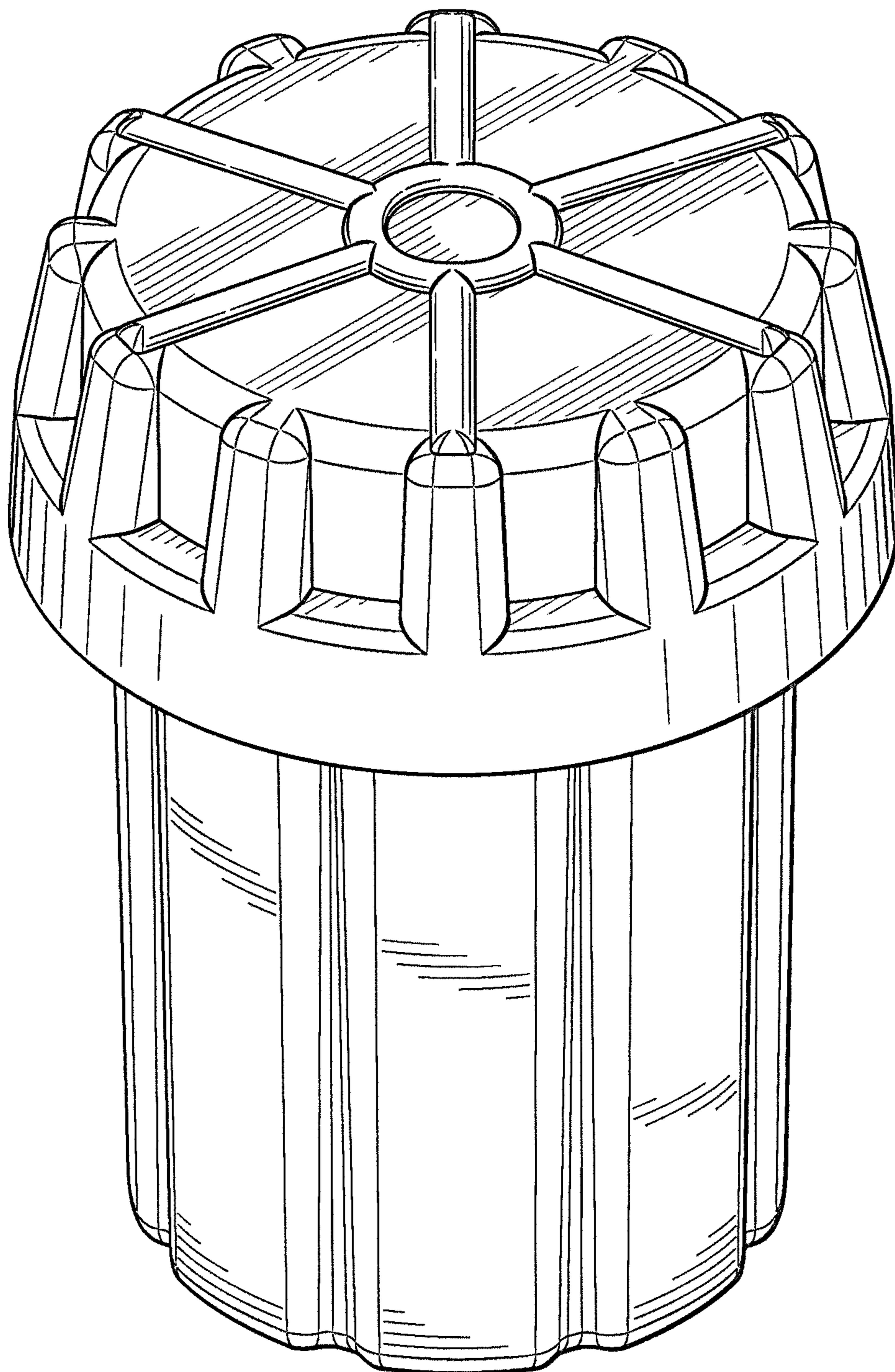


FIG. 1

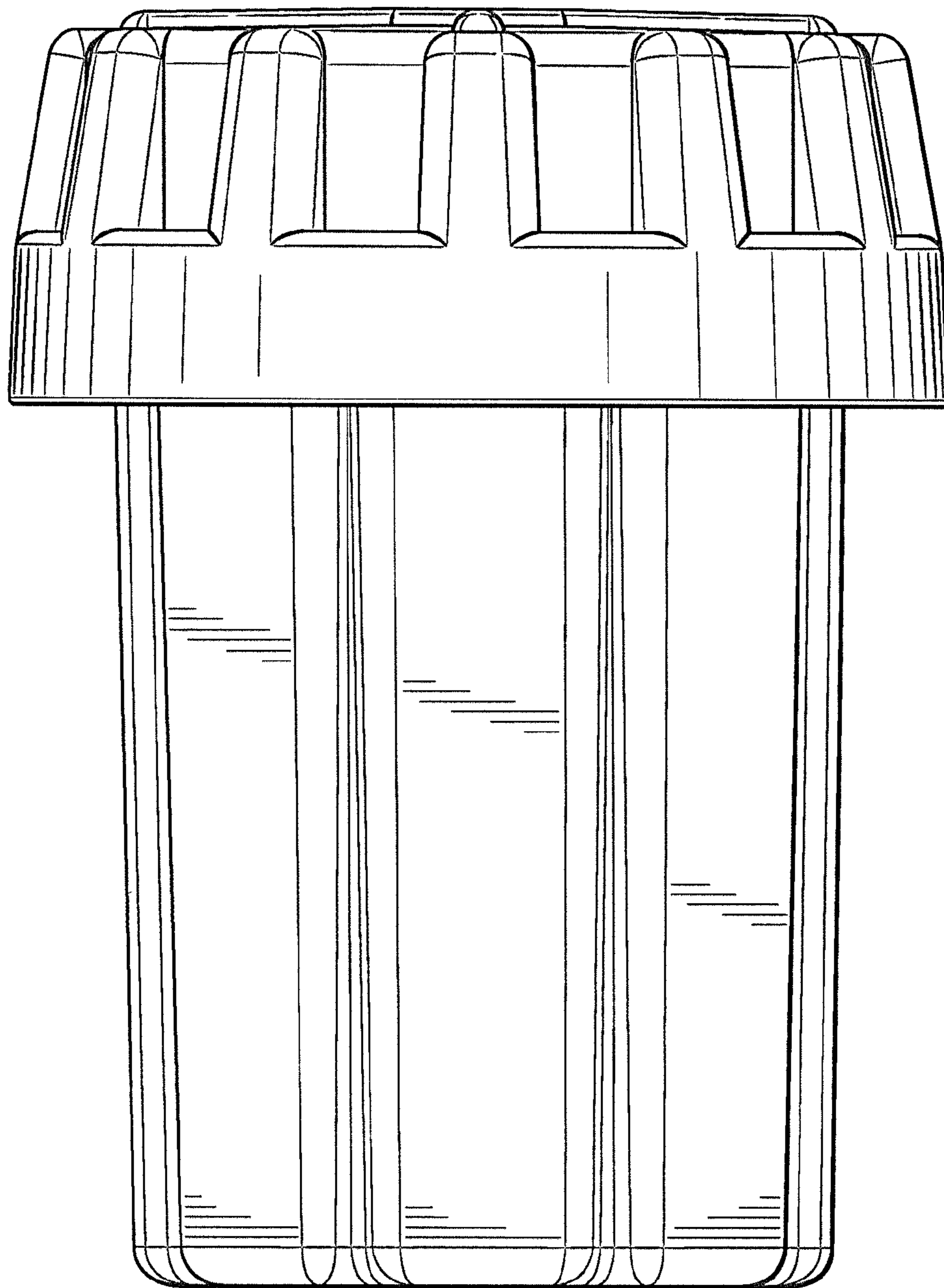


FIG. 2

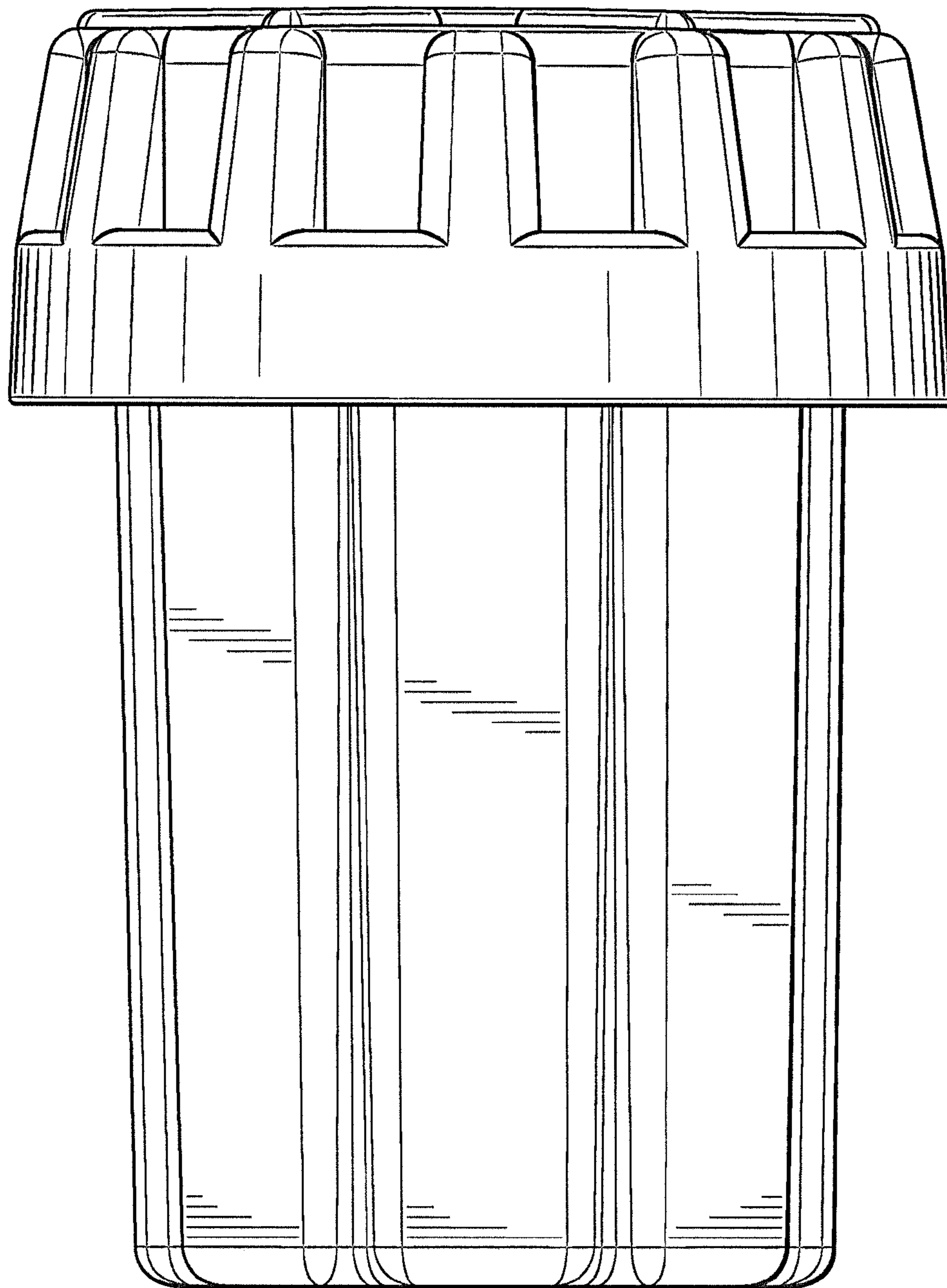


FIG. 3

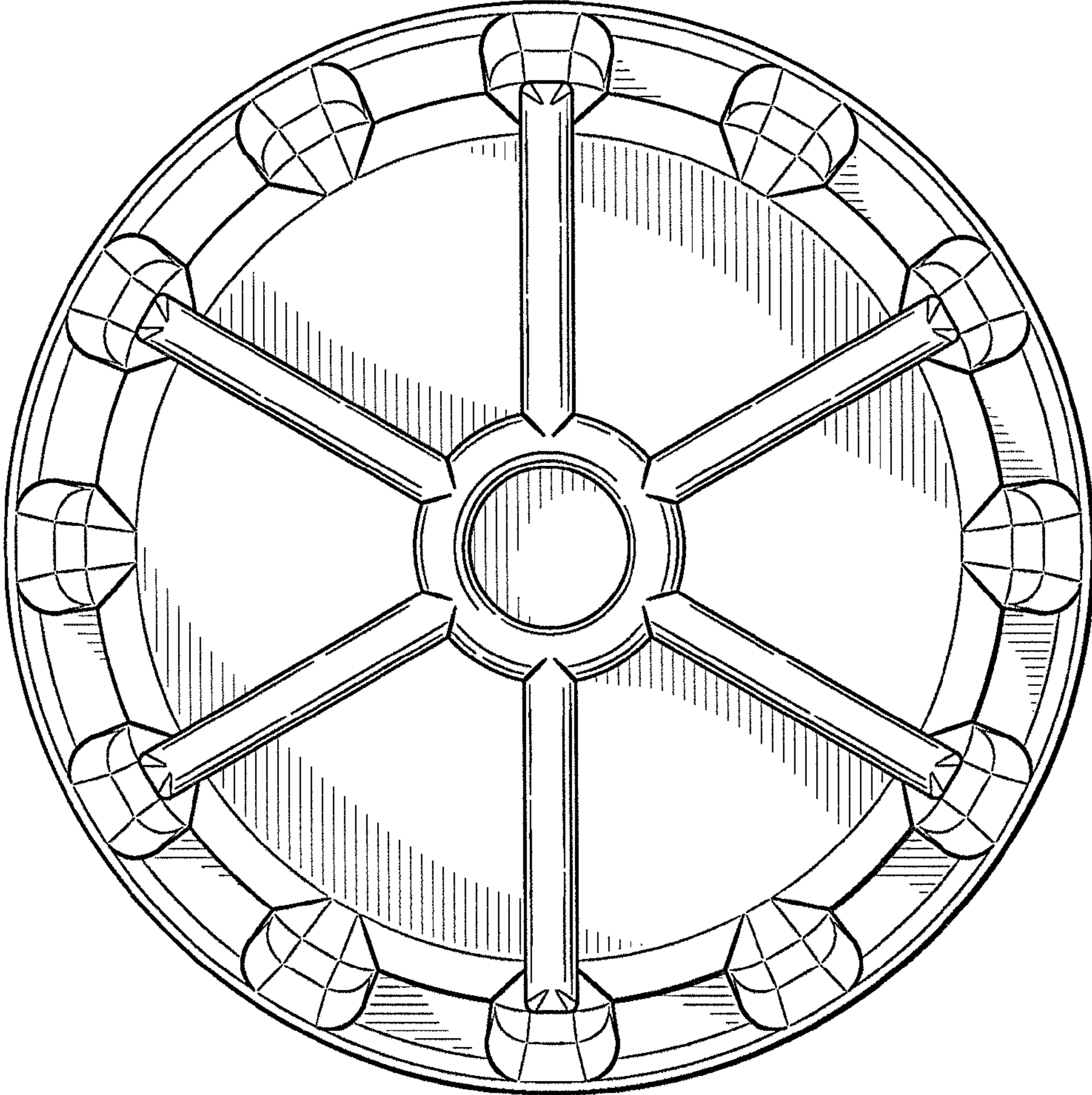


FIG. 4

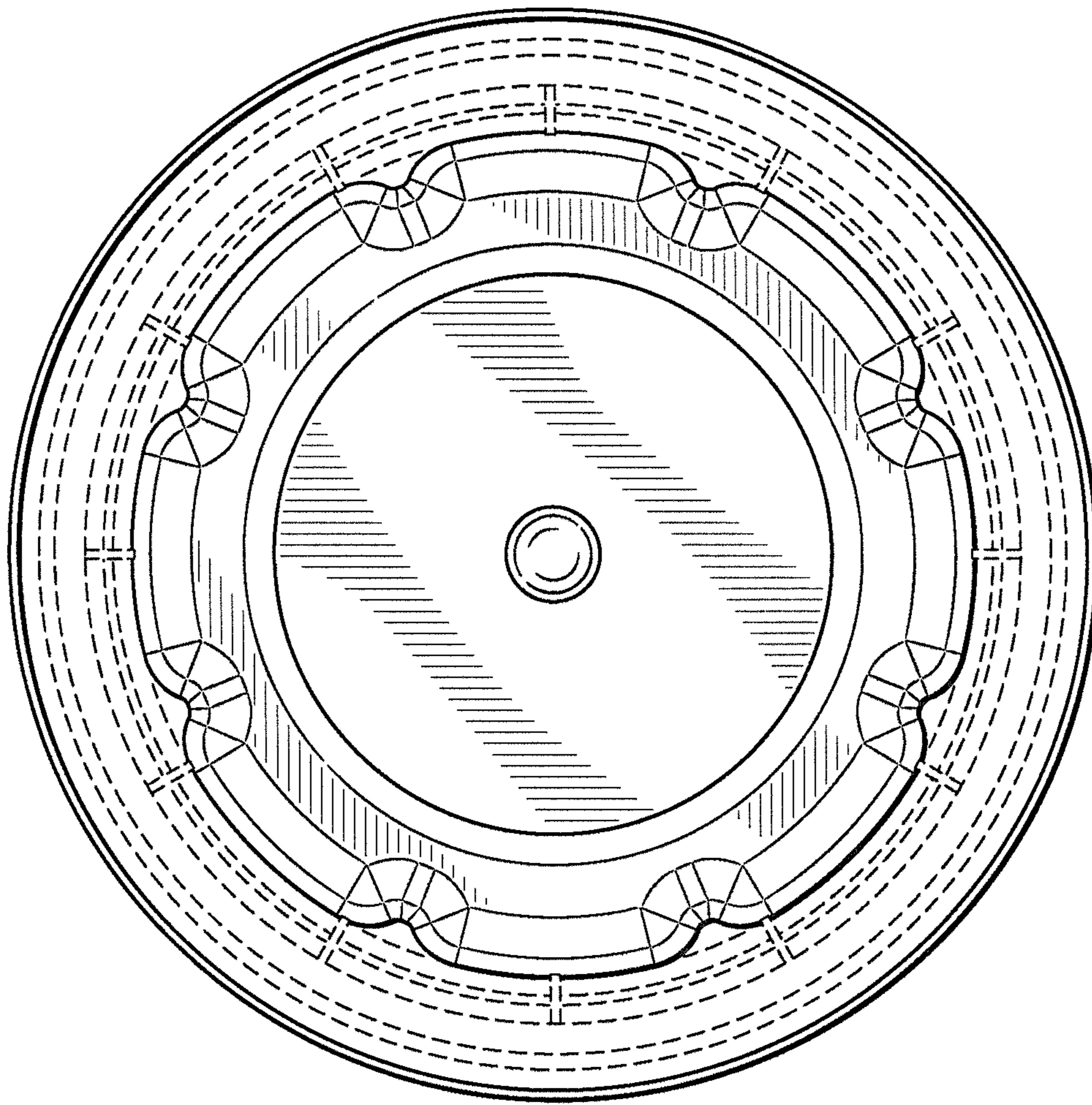


FIG. 5

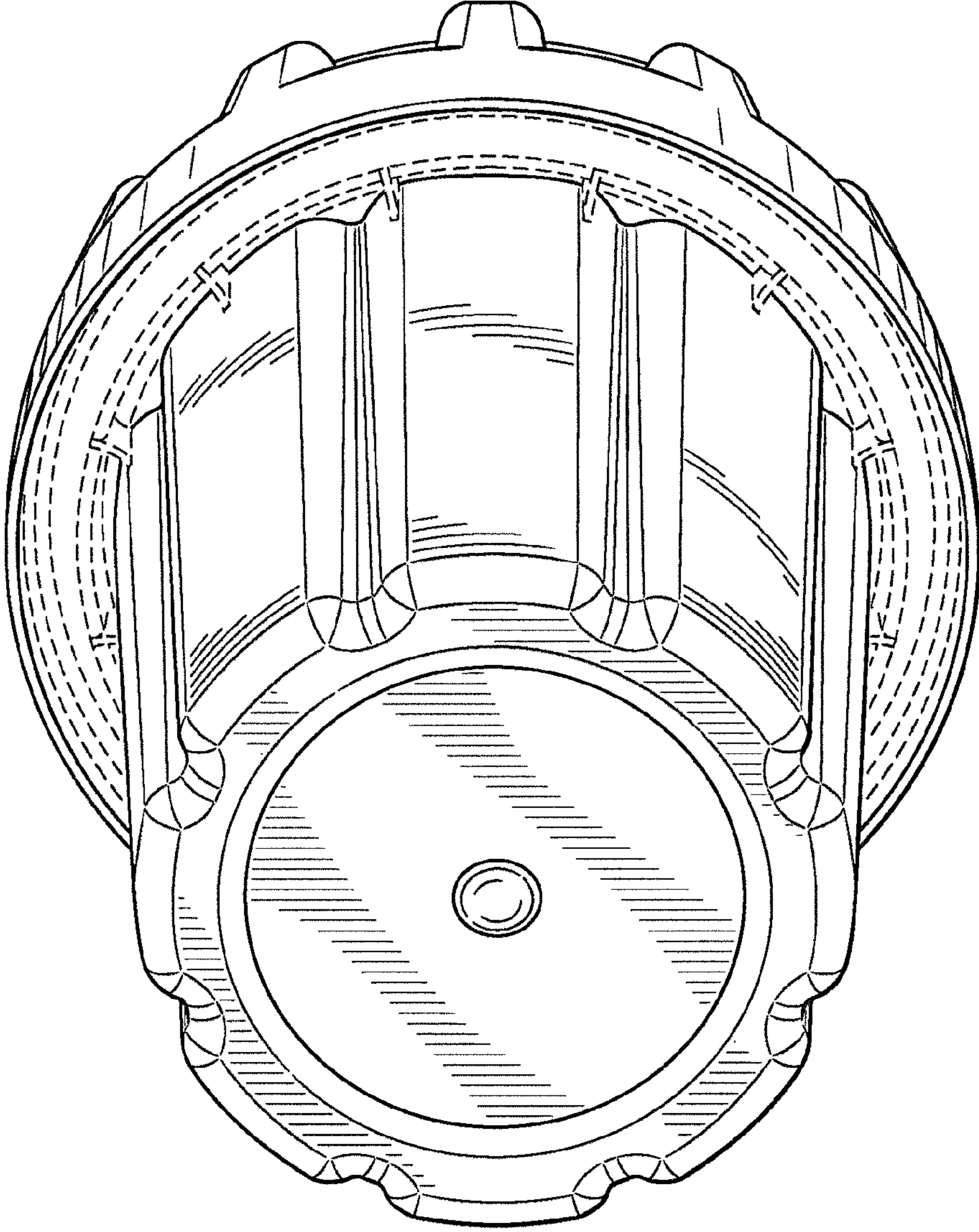


FIG. 6