

US00D721485S

(12) **United States Design Patent**
Sassi

(10) **Patent No.:** **US D721,485 S**
(45) **Date of Patent:** **** Jan. 27, 2015**

(54) **BAG**
(71) Applicant: **Valentino S.p.A.**, Milan (IT)
(72) Inventor: **Stefano Sassi**, Varese (IT)
(73) Assignee: **Valentino S.p.A.**, Milan (IT)
(**) Term: **14 Years**
(21) Appl. No.: **29/462,934**
(22) Filed: **Aug. 9, 2013**

(30) **Foreign Application Priority Data**
Mar. 5, 2013 (IT) MI2013O0039
(51) **LOC (10) Cl.** **03-01**
(52) **U.S. Cl.**
USPC **D3/243**
(58) **Field of Classification Search**
USPC D3/232-233, 240-243, 245-247;
150/100, 103-110, 113-114, 117-119
See application file for complete search history.

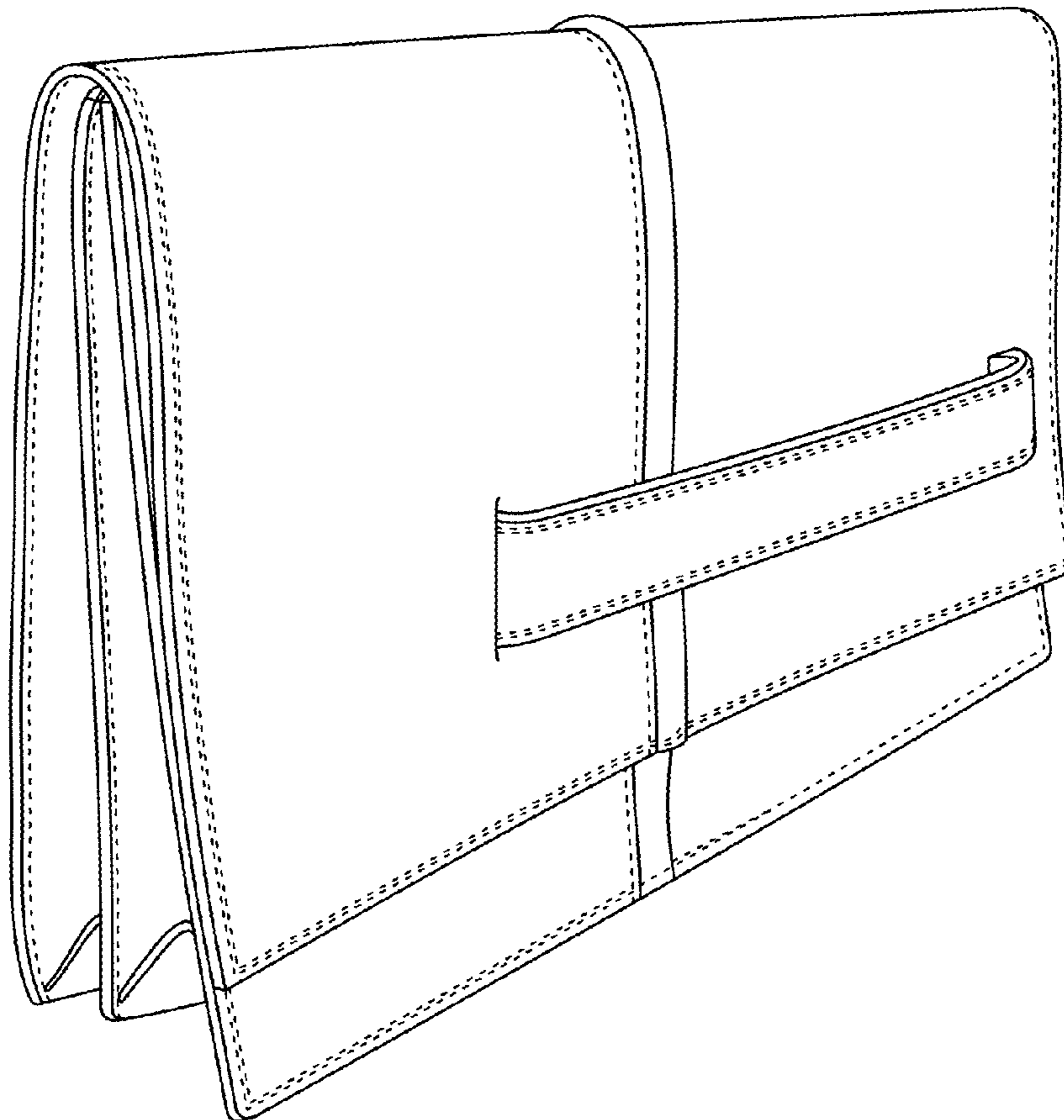
(56) **References Cited**
U.S. PATENT DOCUMENTS
2,175,327 A * 10/1939 Thornhill et al. 150/129
D525,784 S * 8/2006 Handley D3/243
D689,691 S * 9/2013 Kuster et al. D3/243

* cited by examiner
Primary Examiner — Holly Baynham
(74) *Attorney, Agent, or Firm* — Merchant & Gould P.C.

(57) **CLAIM**
The ornamental design for a bag, as shown and described.

DESCRIPTION
FIG. 1 is a perspective view of a bag showing my new design;
FIG. 2 is a front view thereof;
FIG. 3 is a rear view thereof;
FIG. 4 is a left side view thereof;
FIG. 5 is a right side view thereof;
FIG. 6 is a top plan view thereof; and,
FIG. 7 is a bottom plan view thereof.
The broken lines representing stitching are part of the claimed design.

1 Claim, 7 Drawing Sheets



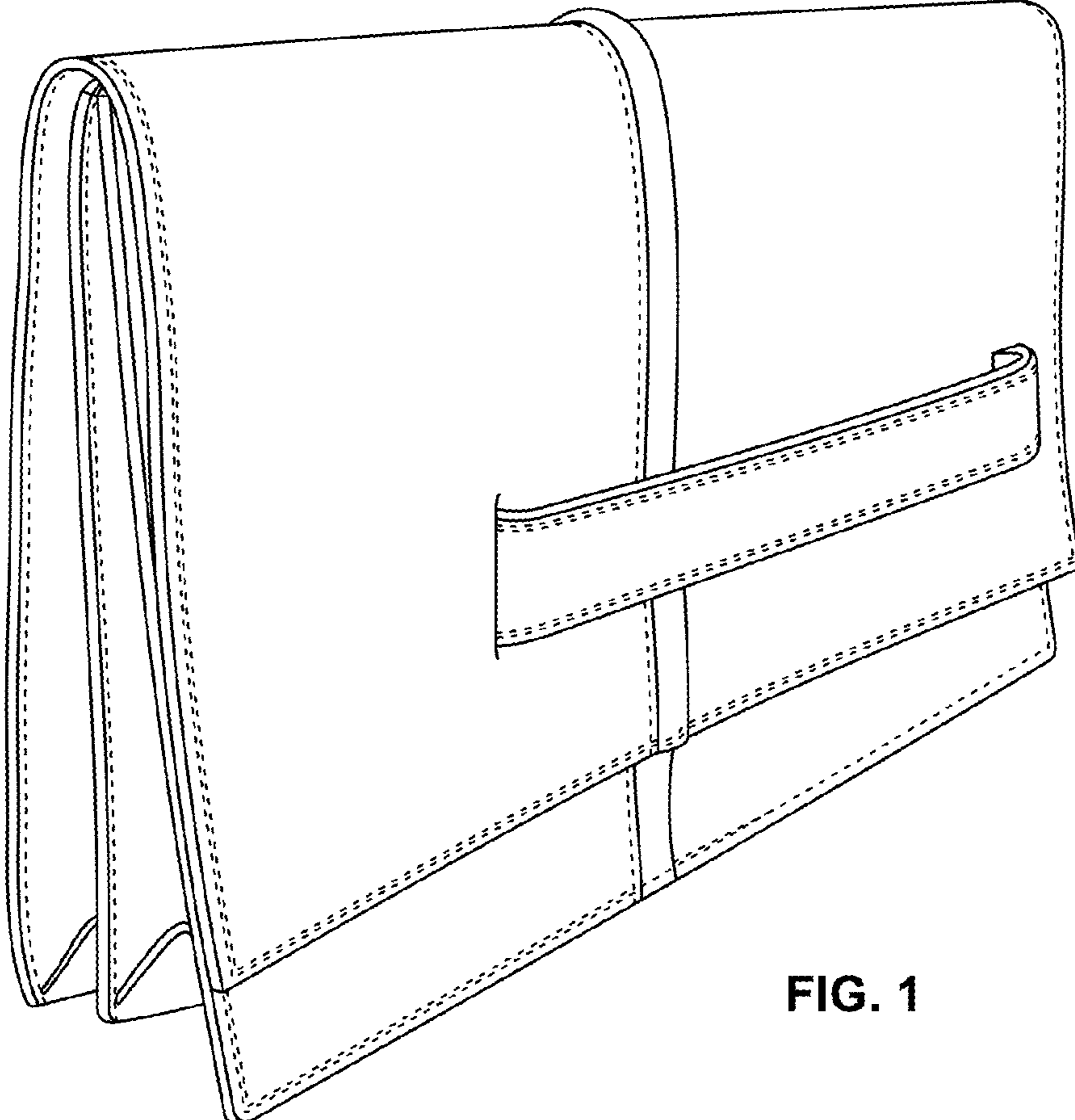


FIG. 1

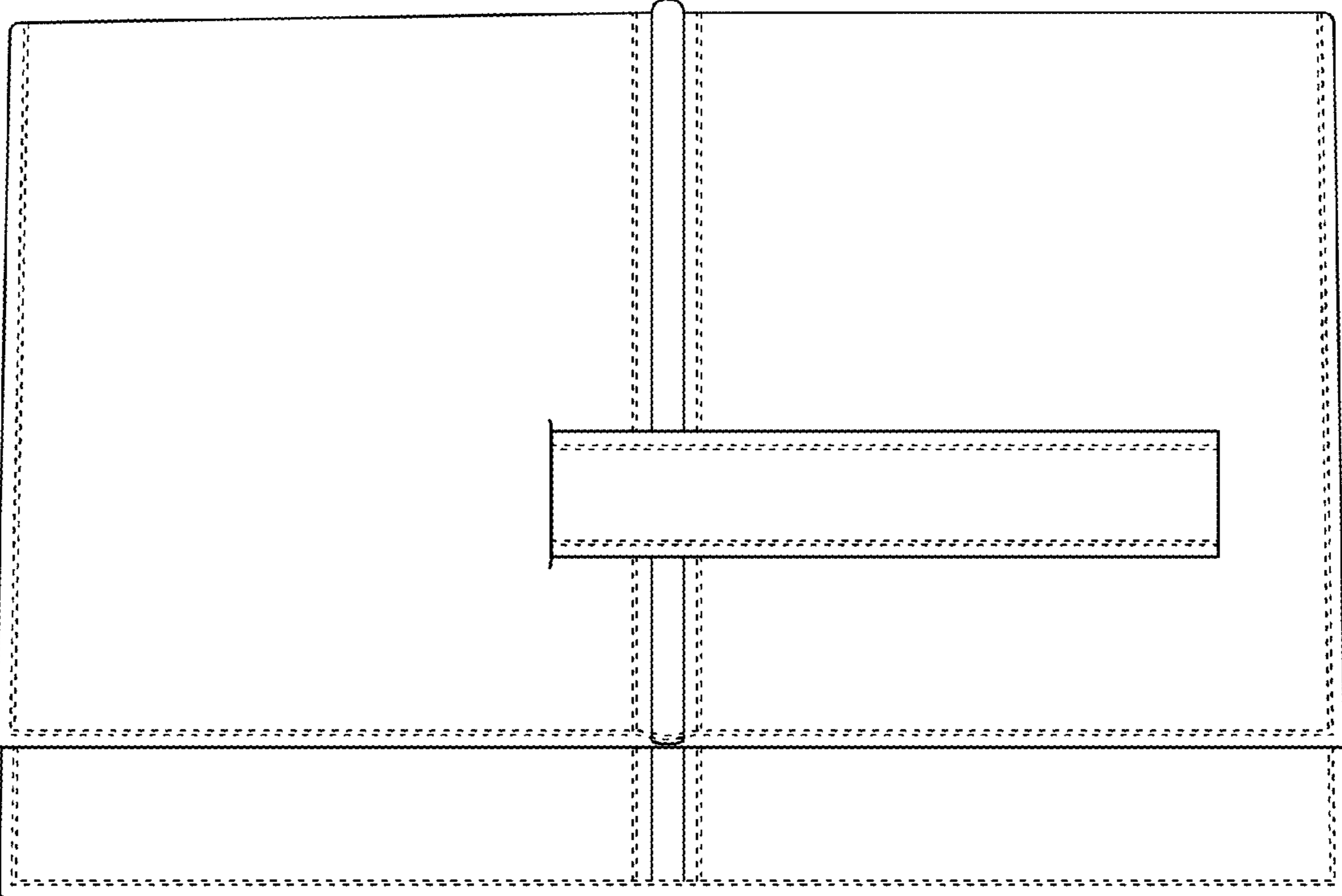


FIG. 2

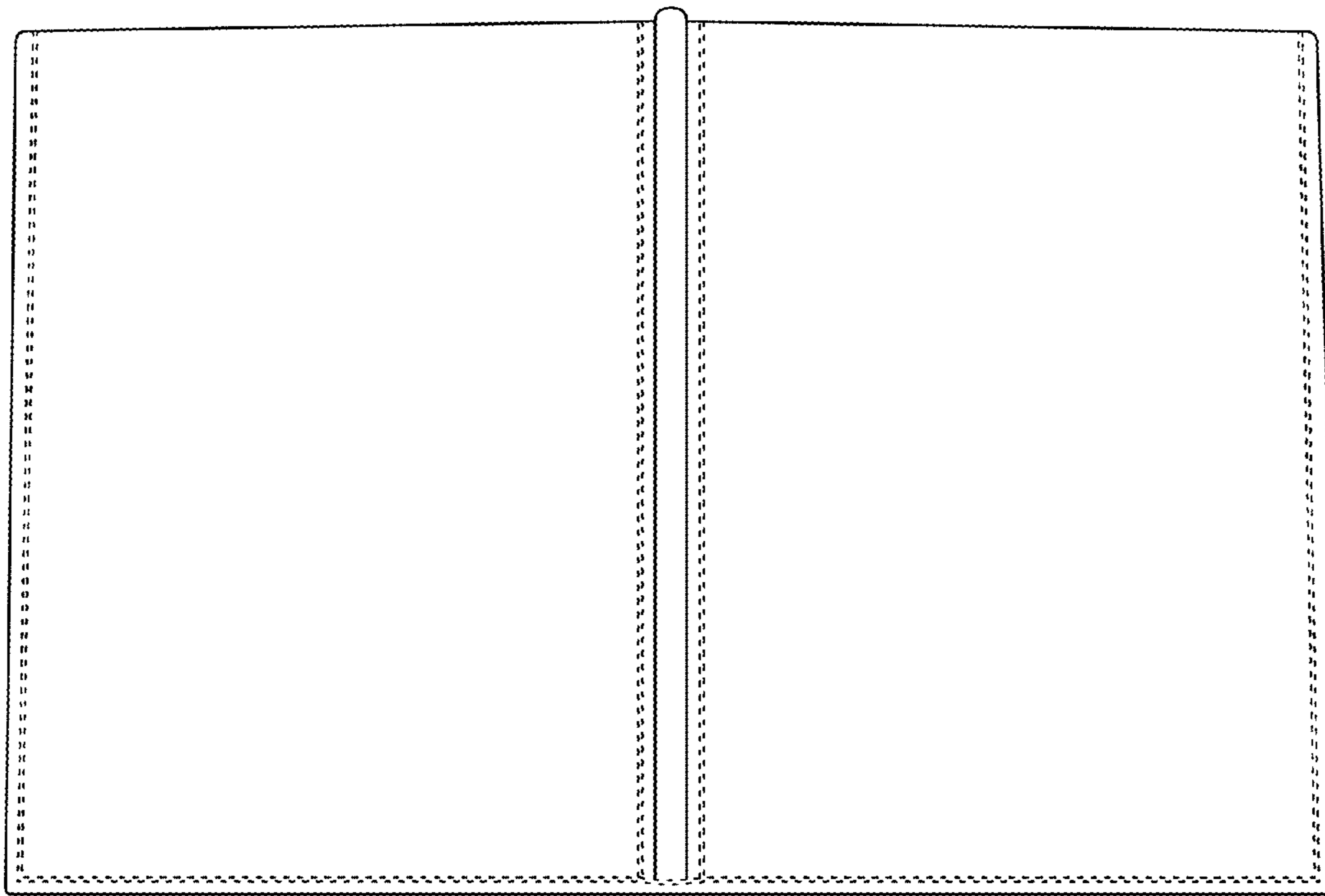


FIG. 3

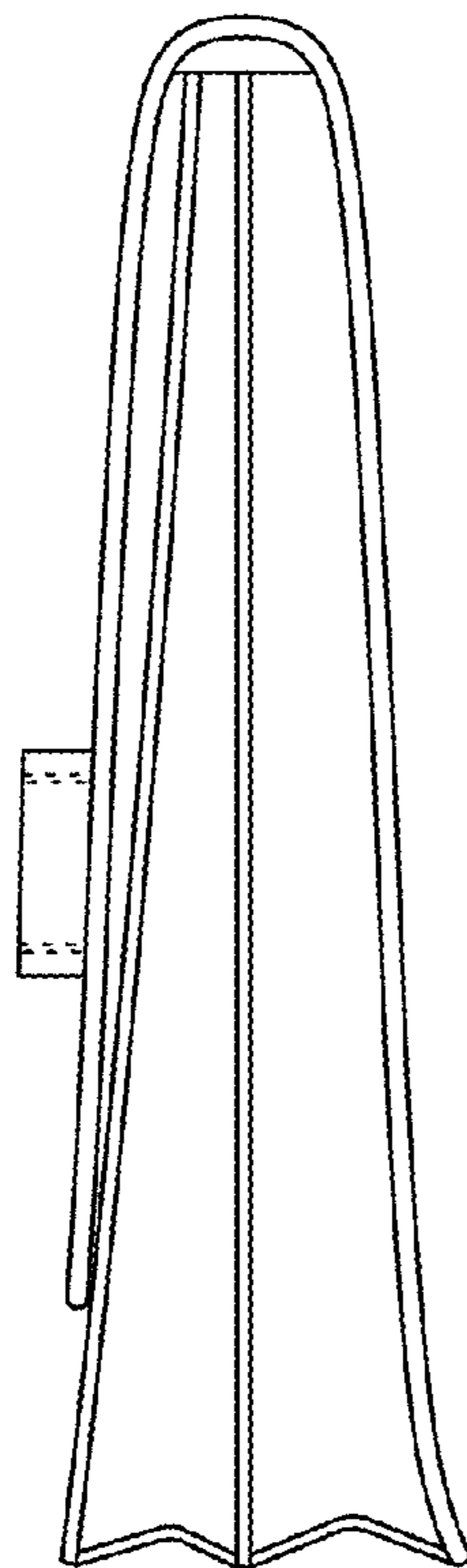


FIG. 4

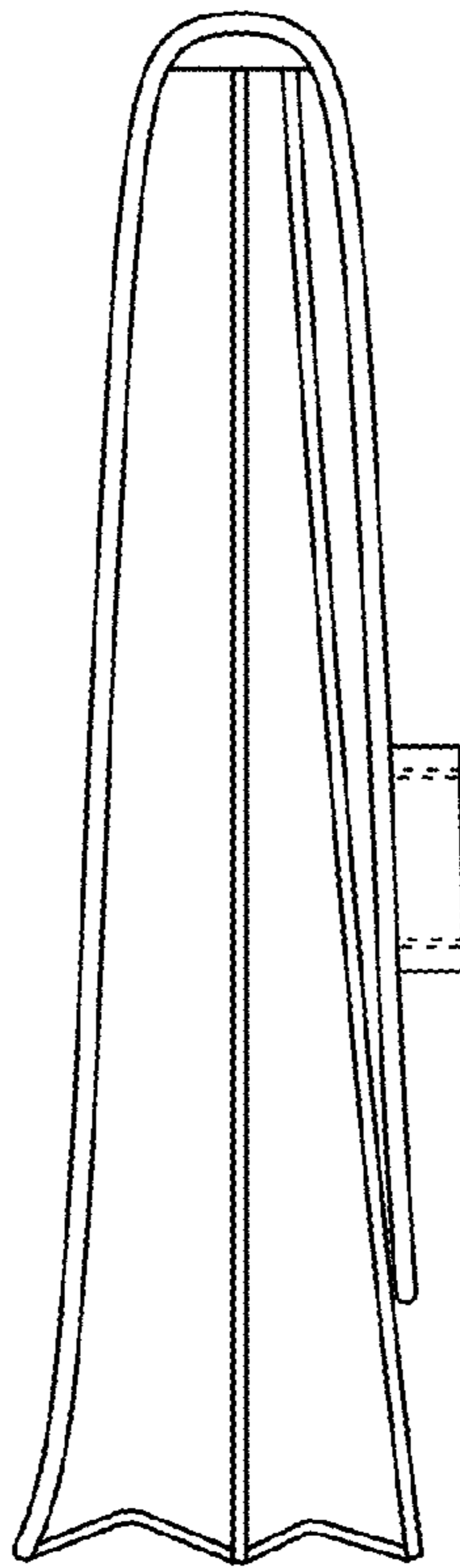


FIG. 5

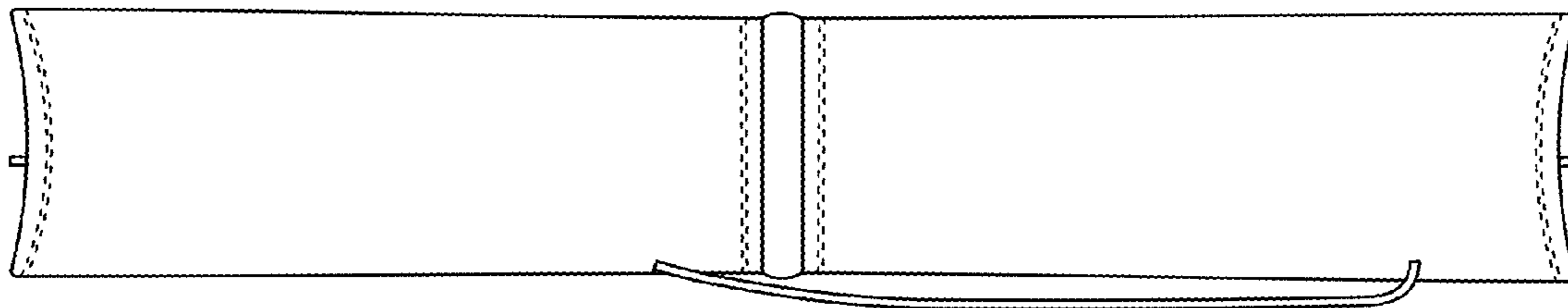


FIG. 6

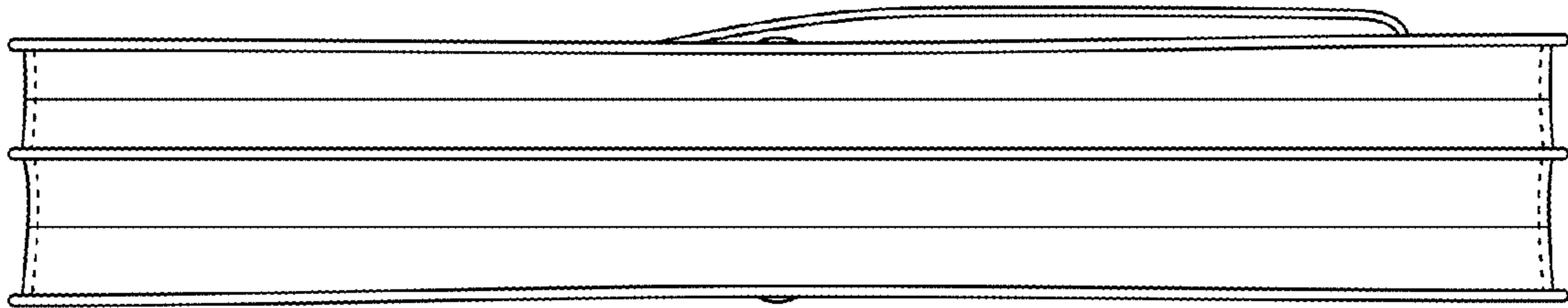


FIG. 7