

US00D721483S

(12) **United States Design Patent**  
**Baram**

(10) **Patent No.:** **US D721,483 S**  
(45) **Date of Patent:** **\*\* Jan. 27, 2015**

(54) **BAG CONVERTIBLE INTO A TOWEL OR BLANKET**

(71) Applicant: **Sonja Baram**, New York, NY (US)

(72) Inventor: **Sonja Baram**, New York, NY (US)

(\*\*) Term: **14 Years**

(21) Appl. No.: **29/461,774**

(22) Filed: **Jul. 26, 2013**

(51) **LOC (10) CI.** ..... **03-01**

(52) **U.S. CI.**  
USPC ..... **D3/233**

(58) **Field of Classification Search**  
CPC ..... A45C 13/04; A45C 13/02; A45C 3/04  
USPC ..... D3/233, 244; 150/100, 103-110,  
150/113-114, 117-119

See application file for complete search history.

(56) **References Cited**

U.S. PATENT DOCUMENTS

5,044,699	A *	9/1991	Duty	383/37
D386,613	S *	11/1997	Terzian	D3/289
D387,555	S *	12/1997	Miller	D3/244
6,276,828	B1 *	8/2001	Otley et al.	383/4
D571,102	S *	6/2008	Gostt et al.	D3/244
D631,247	S *	1/2011	Sabbah	D3/232
D672,552	S *	12/2012	Gavrieli et al.	D3/244

\* cited by examiner

*Primary Examiner* — Holly Baynham

(74) *Attorney, Agent, or Firm* — Ladas & Parry LLP

(57) **CLAIM**

I claim the ornamental design for a bag convertible into a towel or blanket, as shown and described.

**DESCRIPTION**

FIG. 1 is a perspective view of a closed configuration showing our new design according to a first embodiment.

FIG. 2 is a front view of a closed configuration showing our new design according to the first embodiment.

FIG. 3 is a top view of a closed configuration showing our new design according to the first embodiment.

FIG. 4 is a back view of a closed configuration showing our new design according to the first embodiment.

FIG. 5 is a bottom view of a closed configuration showing our new design according to the first embodiment.

FIG. 6 is a left side view of a closed configuration showing our new design according to the first embodiment.

FIG. 7 is a right side view of a closed configuration showing our new design according to the first embodiment.

FIG. 8 is a view showing our new design according to the first embodiment, in particular showing a front view of a partially open configuration showing an underside of a top flap.

FIG. 9 is a view showing our new design according to the first embodiment, in particular showing a front view of a partially open configuration showing the underside of the top flap and a partially unfolded bottom portion.

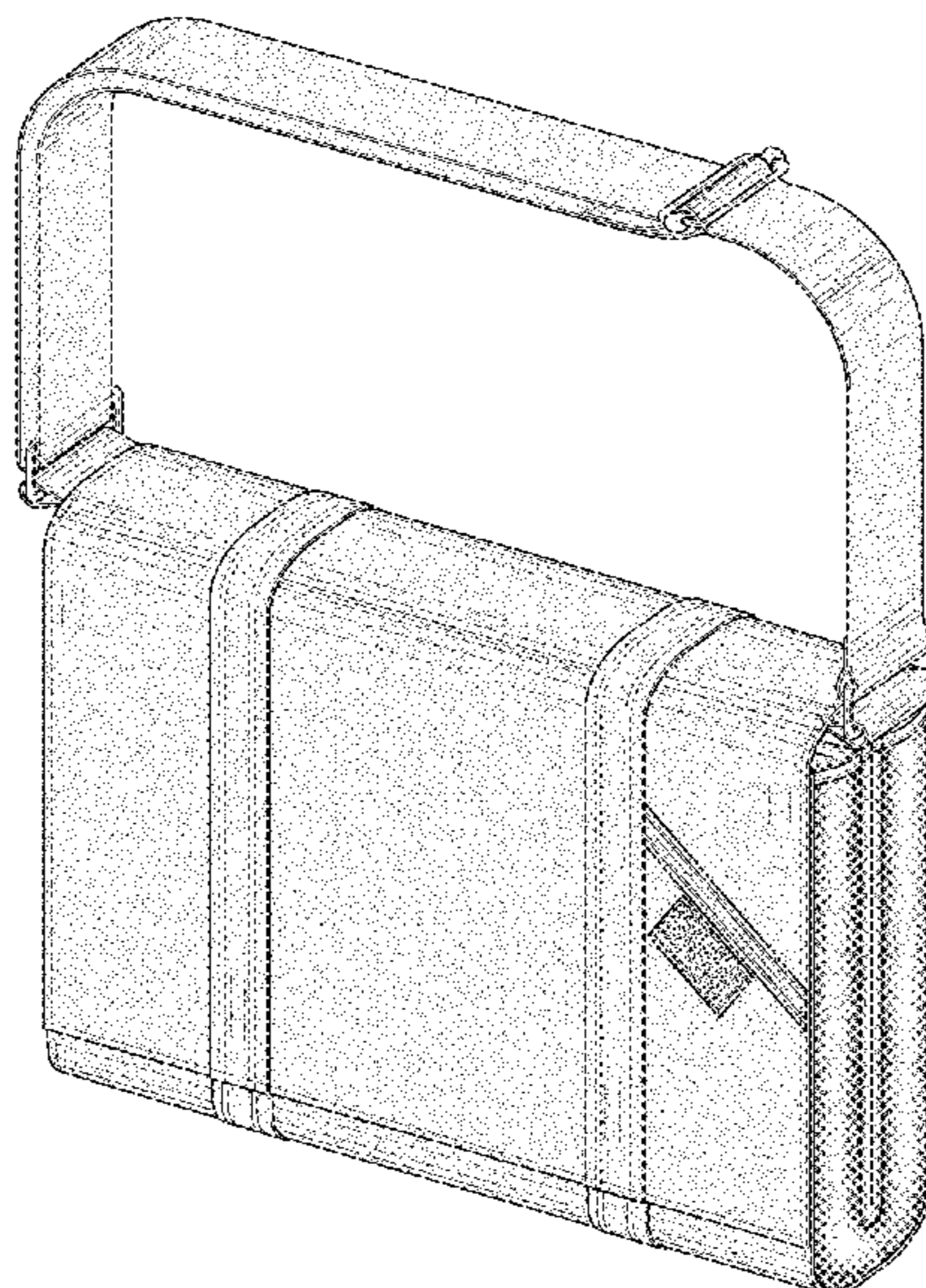
FIG. 10 is a view showing our new design according to the first embodiment, in particular showing a front view of a partially open configuration showing the underside of the top flap and a partially unfolded bottom portion further unfolded to the right.

FIG. 11 is a view showing our new design according to the first embodiment, in particular showing a front view of a partially open configuration showing the underside of the top flap and a partially unfolded bottom portion further unfolded to the left; and,

FIG. 12 is a view showing our new design according to the first embodiment, in particular showing a front view of a fully open configuration.

The broken lines shown in the drawings represent unclaimed portions of the design.

**1 Claim, 9 Drawing Sheets**



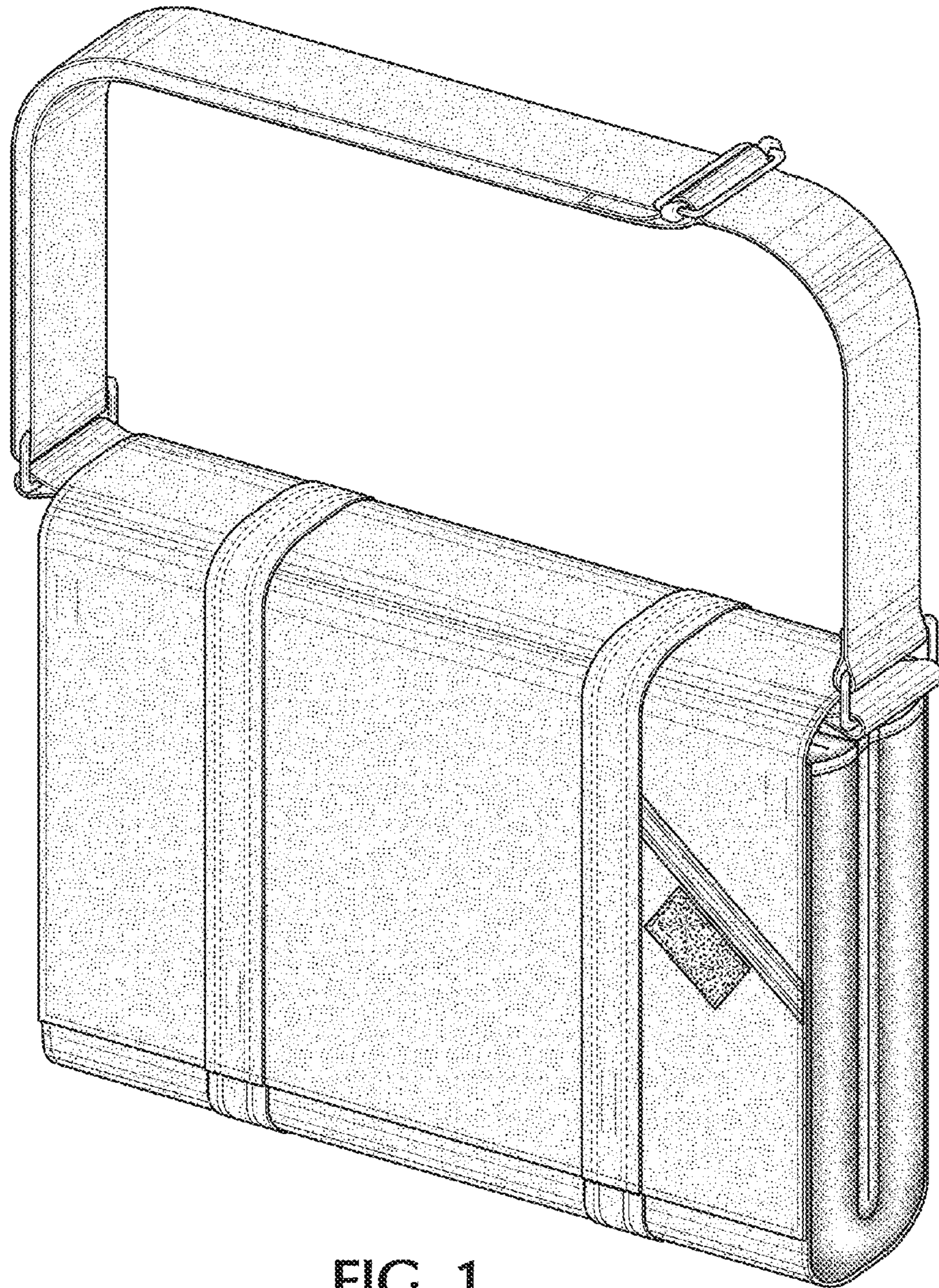


FIG. 1

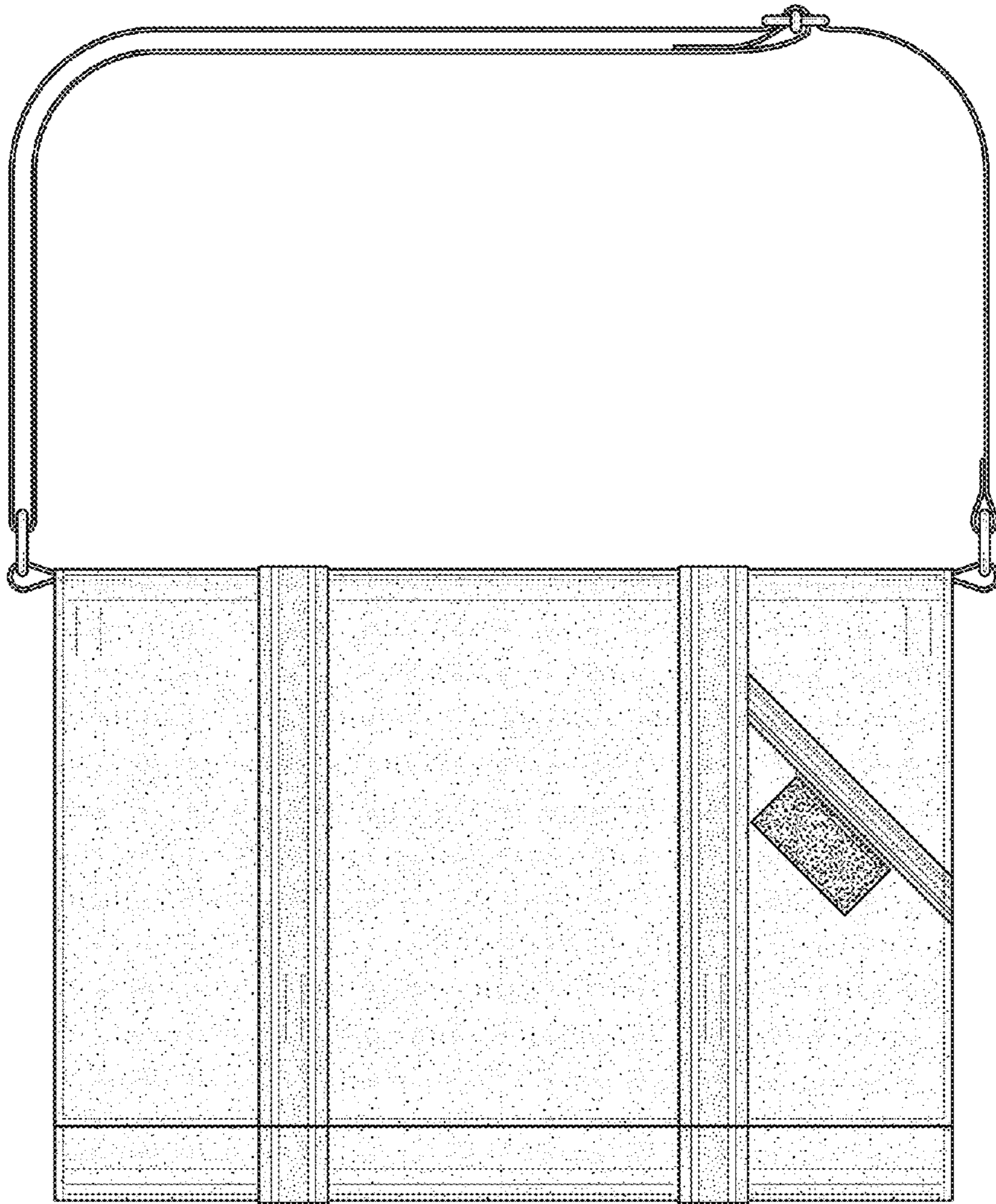


FIG. 2

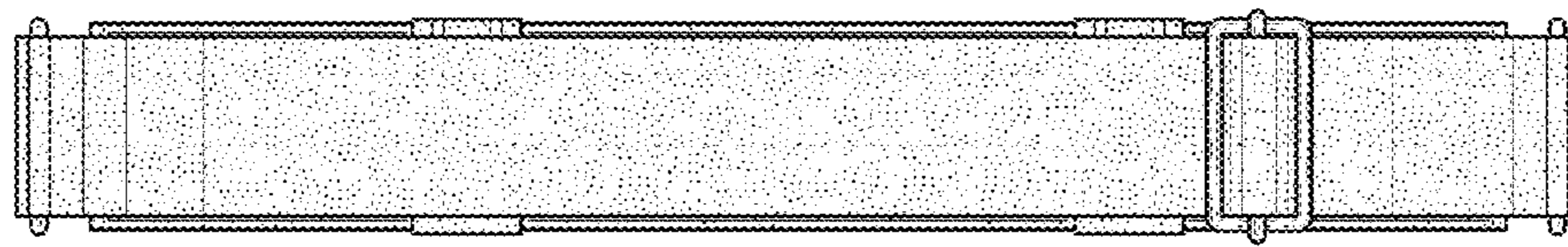


FIG. 3

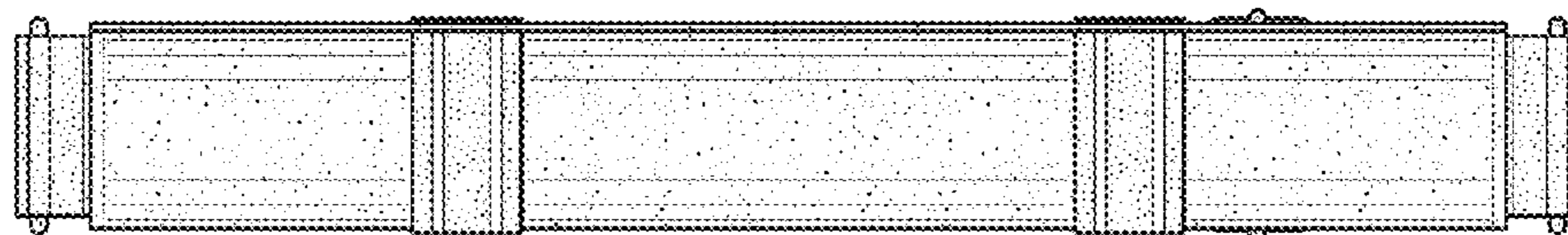


FIG. 5

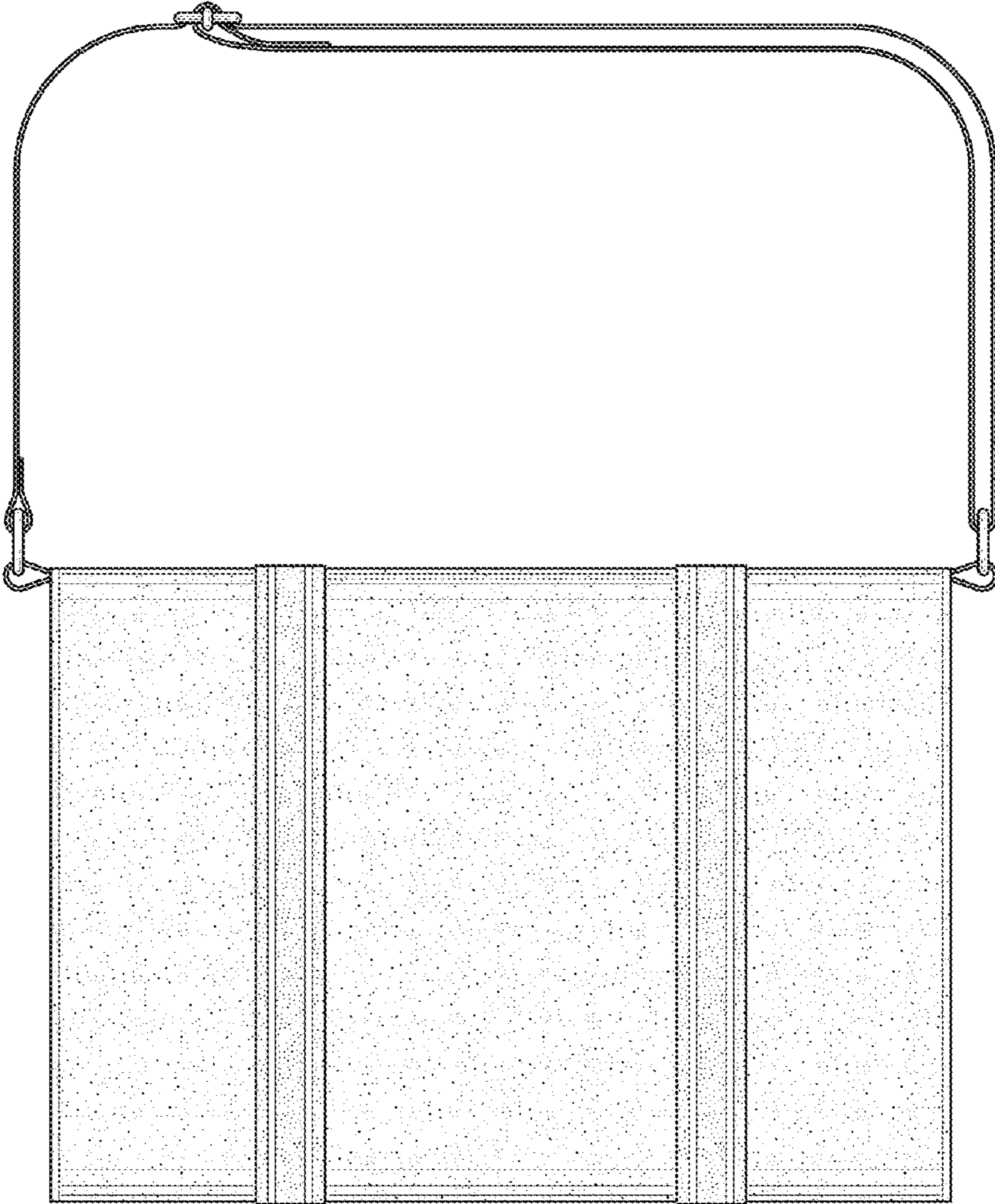


FIG. 4

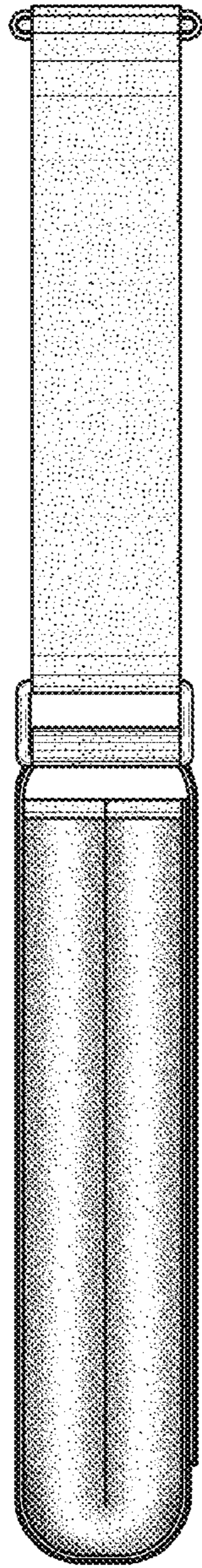


FIG. 6

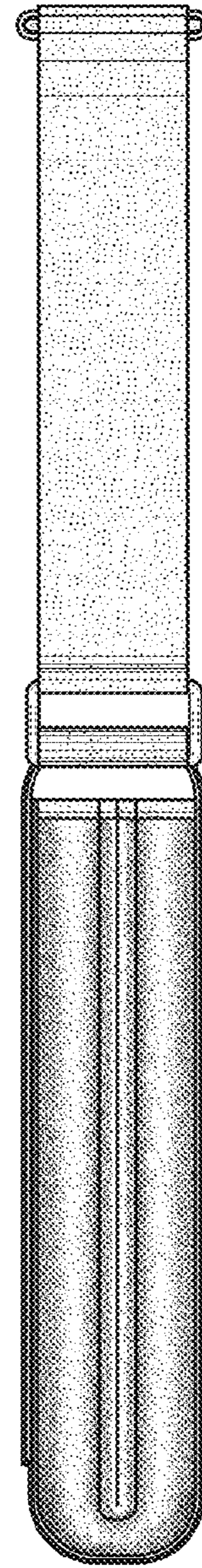


FIG. 7

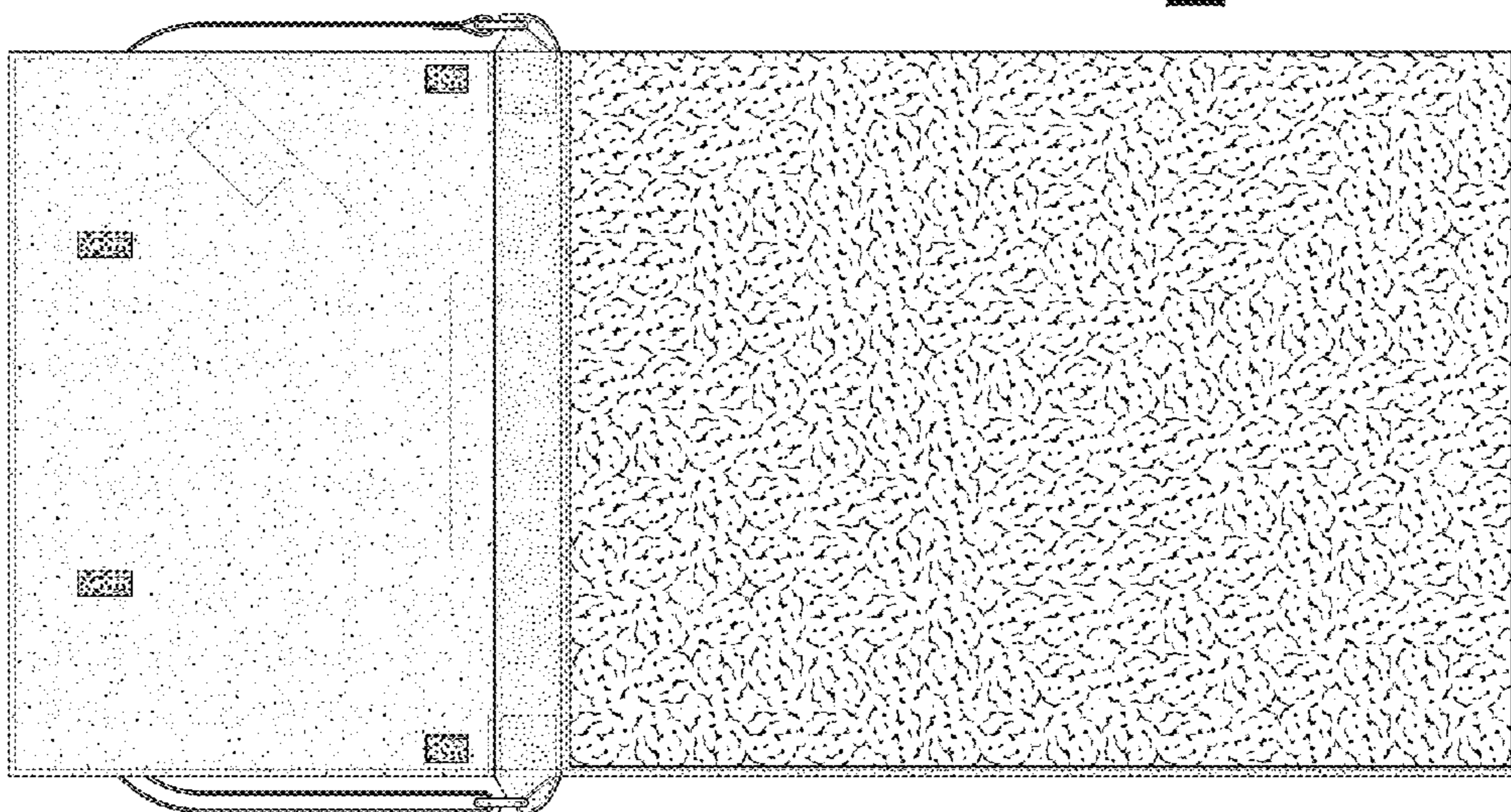


FIG. 9

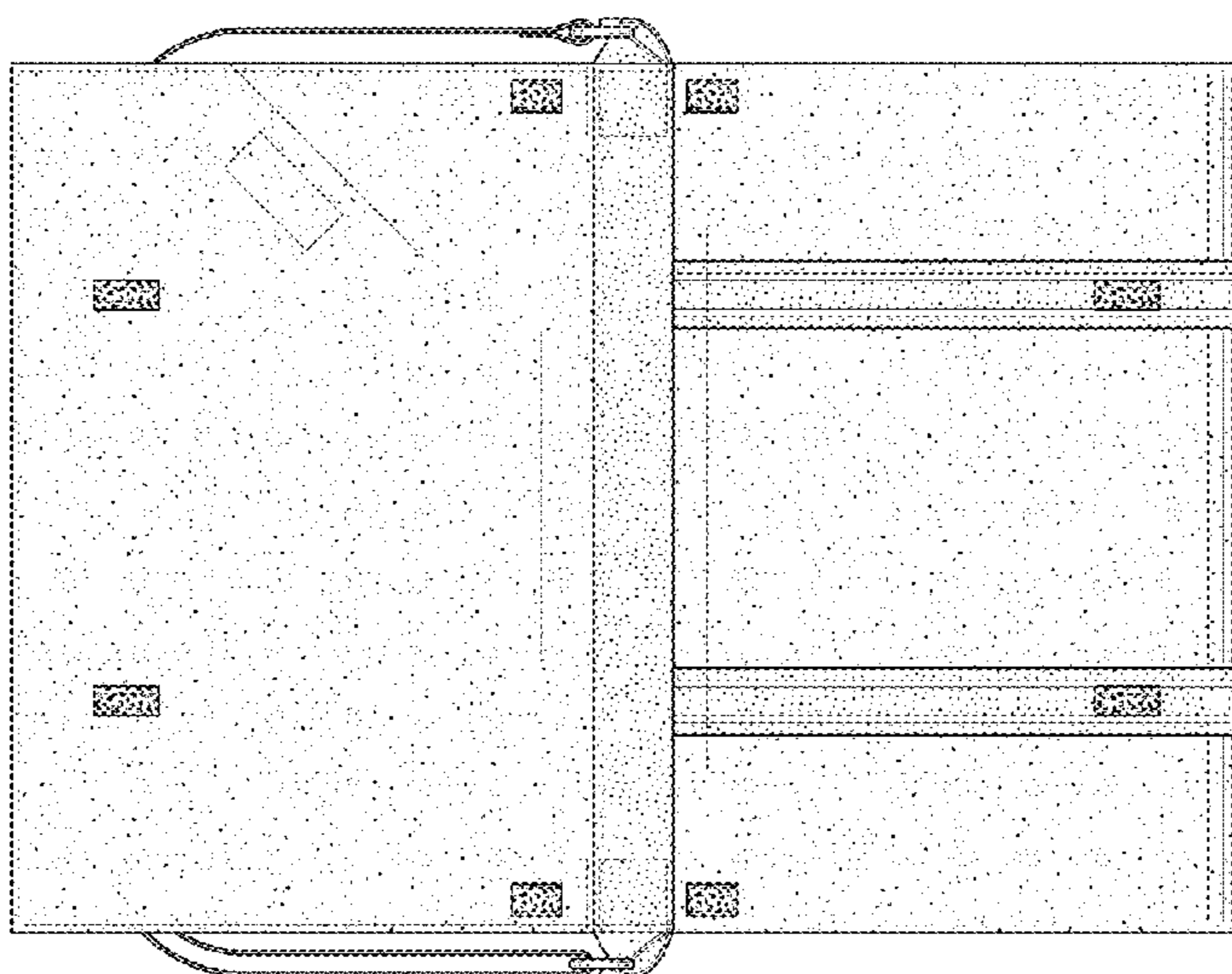
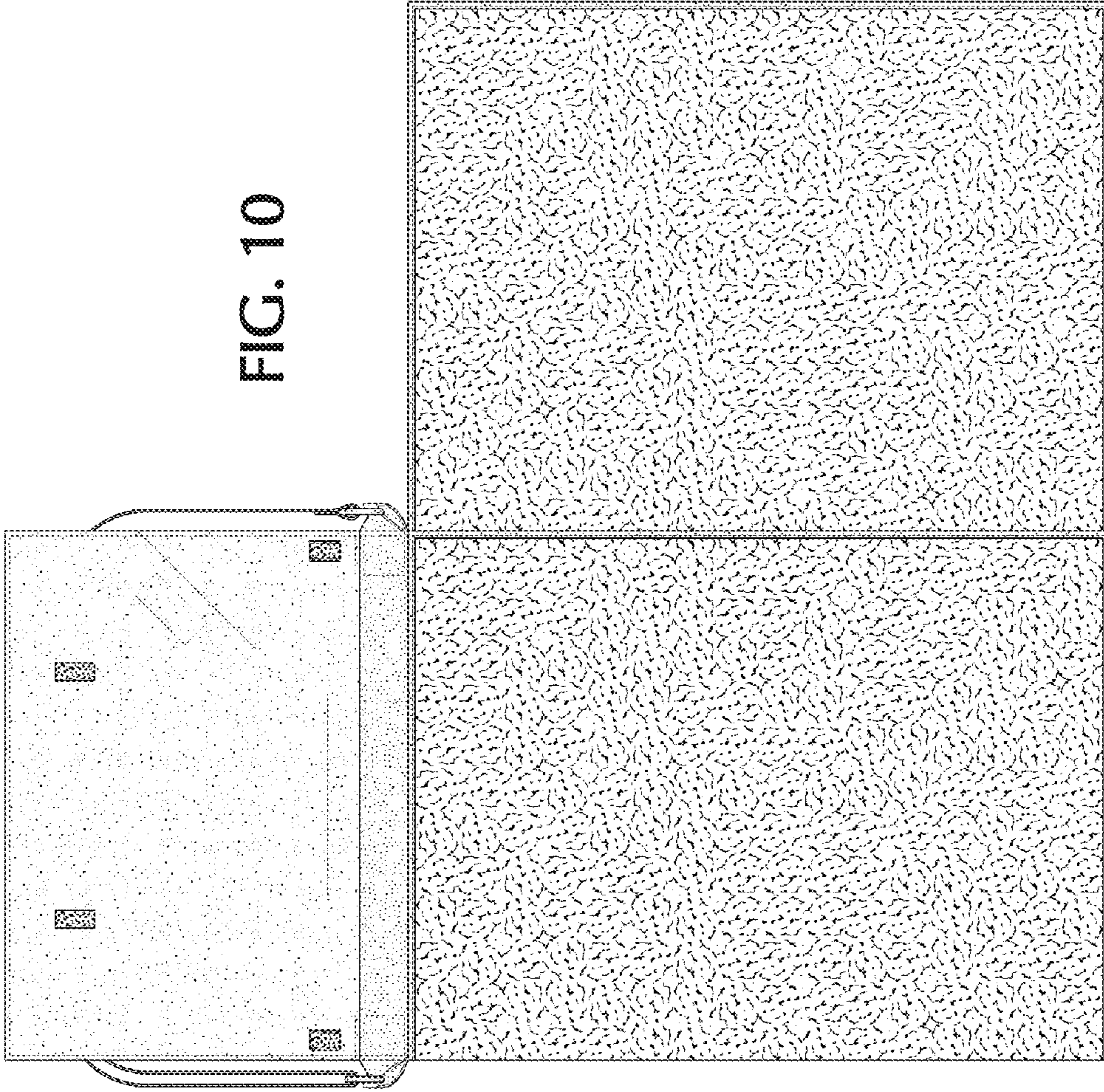


FIG. 8

FIG. 10





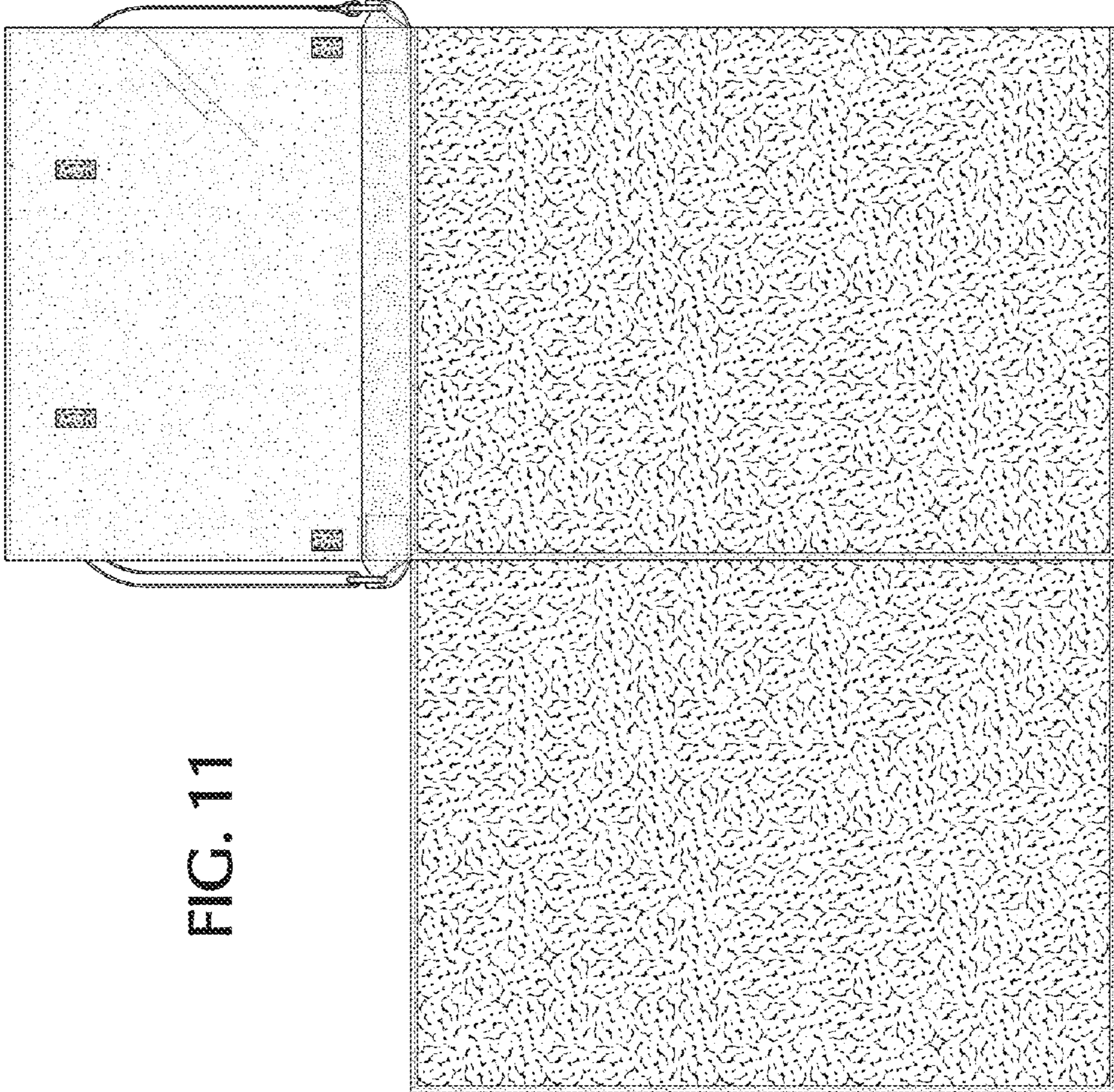


FIG. 11

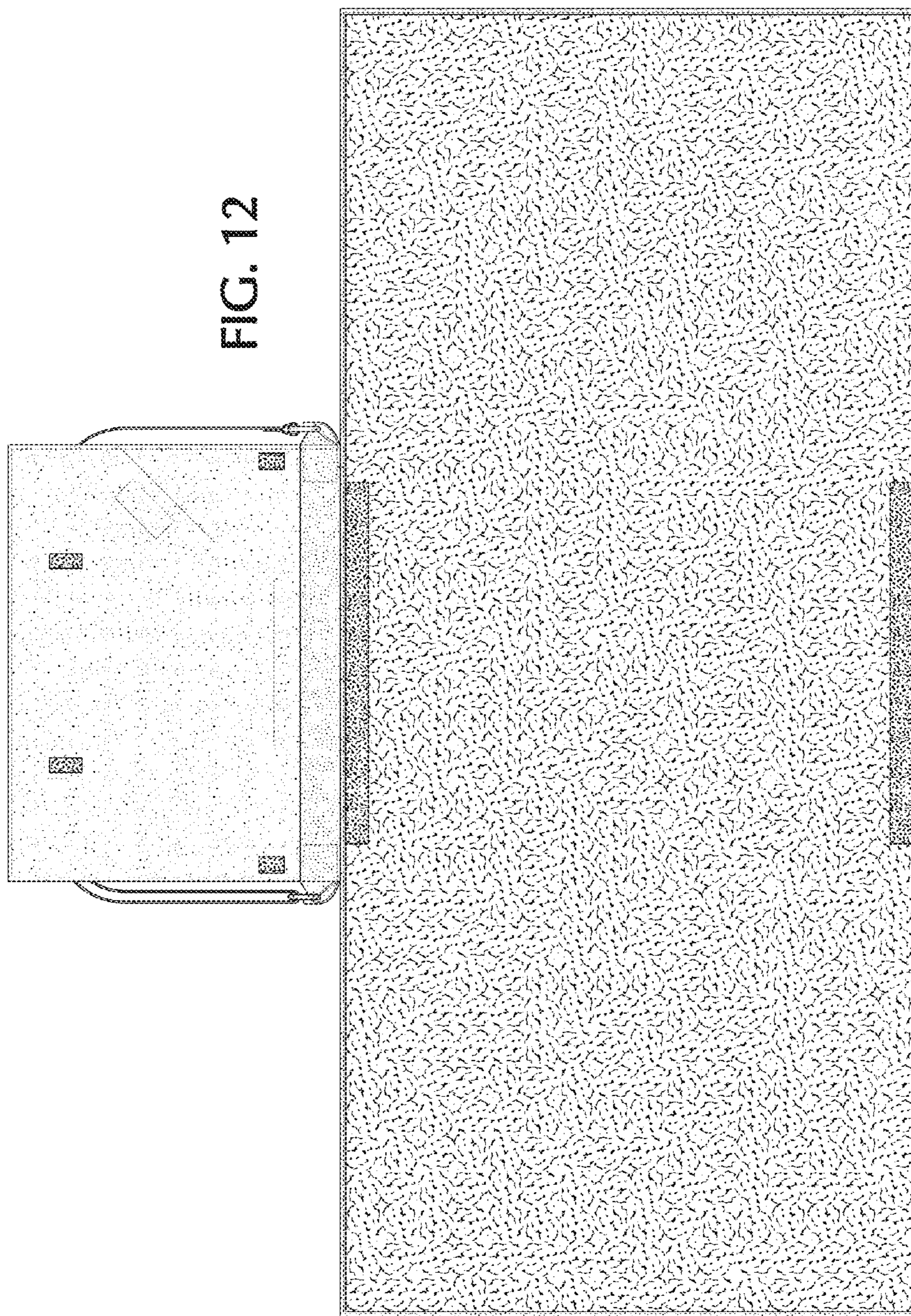


FIG. 12