



US00D721481S

(12) **United States Design Patent**
Elazar

(10) **Patent No.:** **US D721,481 S**
(45) **Date of Patent:** **** Jan. 27, 2015**

- (54) **BEACH UMBRELLA BASE**
- (71) Applicant: **Abrao Agranionik Elazar**, Moshav Elazar (IL)
- (72) Inventor: **Abrao Agranionik Elazar**, Moshav Elazar (IL)
- (**) Term: **14 Years**
- (21) Appl. No.: **29/466,734**
- (22) Filed: **Sep. 11, 2013**
- (51) **LOC (10) Cl.** **03-03**
- (52) **U.S. Cl.**
USPC **D3/10**
- (58) **Field of Classification Search**
USPC D3/5, 10; 135/15.1, 33.2, 20.1; 248/533
See application file for complete search history.

- D574,143 S * 8/2008 Smith et al. D3/10
- 7,641,156 B2 * 1/2010 Medders et al. 248/125.8
- 8,047,217 B1 * 11/2011 Schermerhorn, Jr. 135/118
- D655,531 S * 3/2012 Gharst D6/416
- 2002/0185167 A1 * 12/2002 Lin et al. 135/16

* cited by examiner

Primary Examiner — John Windmuller
(74) *Attorney, Agent, or Firm* — Blue Filament Law PLLC;
Avery N. Goldstein

(57) **CLAIM**
I claim, the ornamental design for a beach umbrella base, as shown and described.

DESCRIPTION

FIG. 1 is a top perspective view of a beach umbrella base showing my new design;
FIG. 2 is a bottom perspective view thereof;
FIG. 3 is a side view thereof;
FIG. 4 is a rear view thereof;
FIG. 5 is a front view thereof;
FIG. 6 is a top view thereof; and,
FIG. 7 is a bottom view thereof.

The broken lines in the figures depict portions of the beach umbrella base that form no part of the claimed design.

The surface shading lines (e.g., the vertical parallel lines) on the claimed portion are provided only to indicate the character and/or any contour or curvature of the surfaces. They do not indicate color, texture, or markings that actually exist thereon, indicia, graphic representations, surface treatment, or any other ornamentation applied to the beach umbrella base.

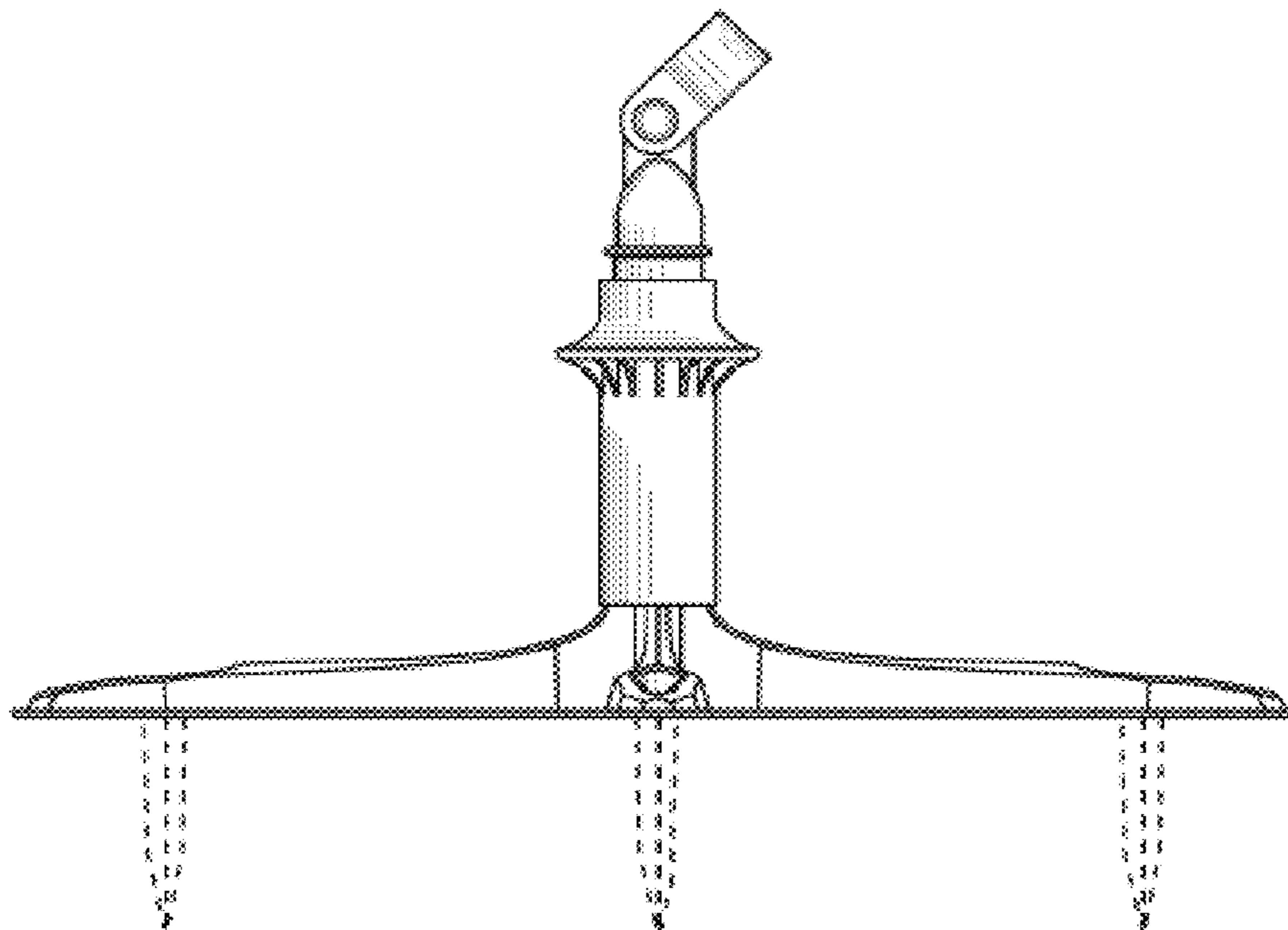
The matting of the beach umbrella base is shown with stippling, to indicate a soft texture.

1 Claim, 4 Drawing Sheets

(56) **References Cited**

U.S. PATENT DOCUMENTS

1,636,617	A *	7/1927	Scott	52/160
1,844,273	A *	2/1932	Colvin	52/162
2,876,974	A *	3/1959	Liftman	248/533
4,712,762	A *	12/1987	Liedle	248/533
4,714,225	A *	12/1987	Skinner et al.	248/523
4,753,411	A *	6/1988	Lechner et al.	248/533
4,850,564	A *	7/1989	Padin	248/533
5,271,196	A *	12/1993	Fanti	52/166
5,354,031	A *	10/1994	Bilotti	248/519
5,979,844	A *	11/1999	Hopkins	248/158
6,164,613	A *	12/2000	Williams	248/533
6,511,033	B2 *	1/2003	Li	248/519
6,612,320	B2 *	9/2003	Lin et al.	135/33.41
D550,950	S *	9/2007	Vanderminde	D3/10



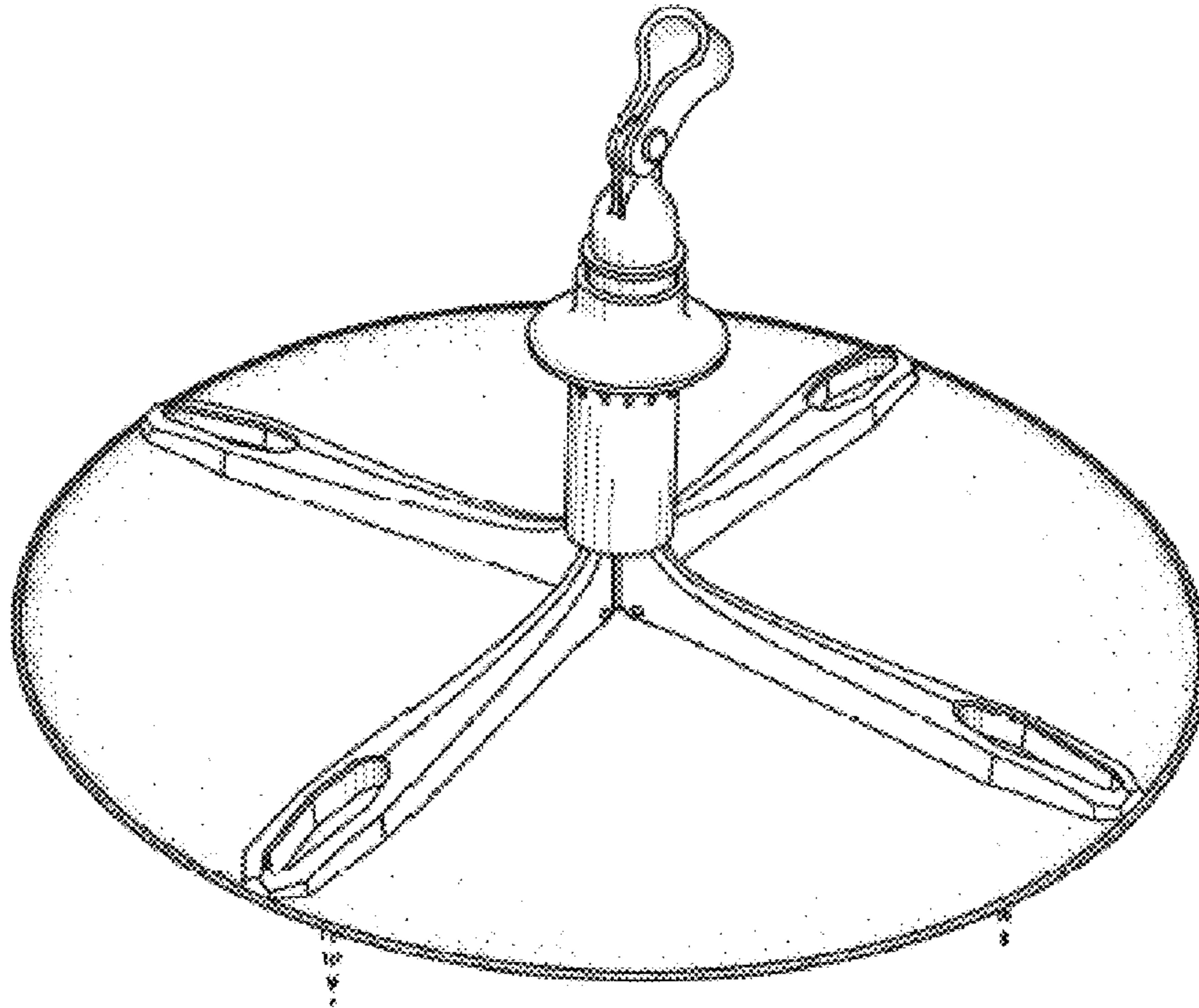


FIGURE 1

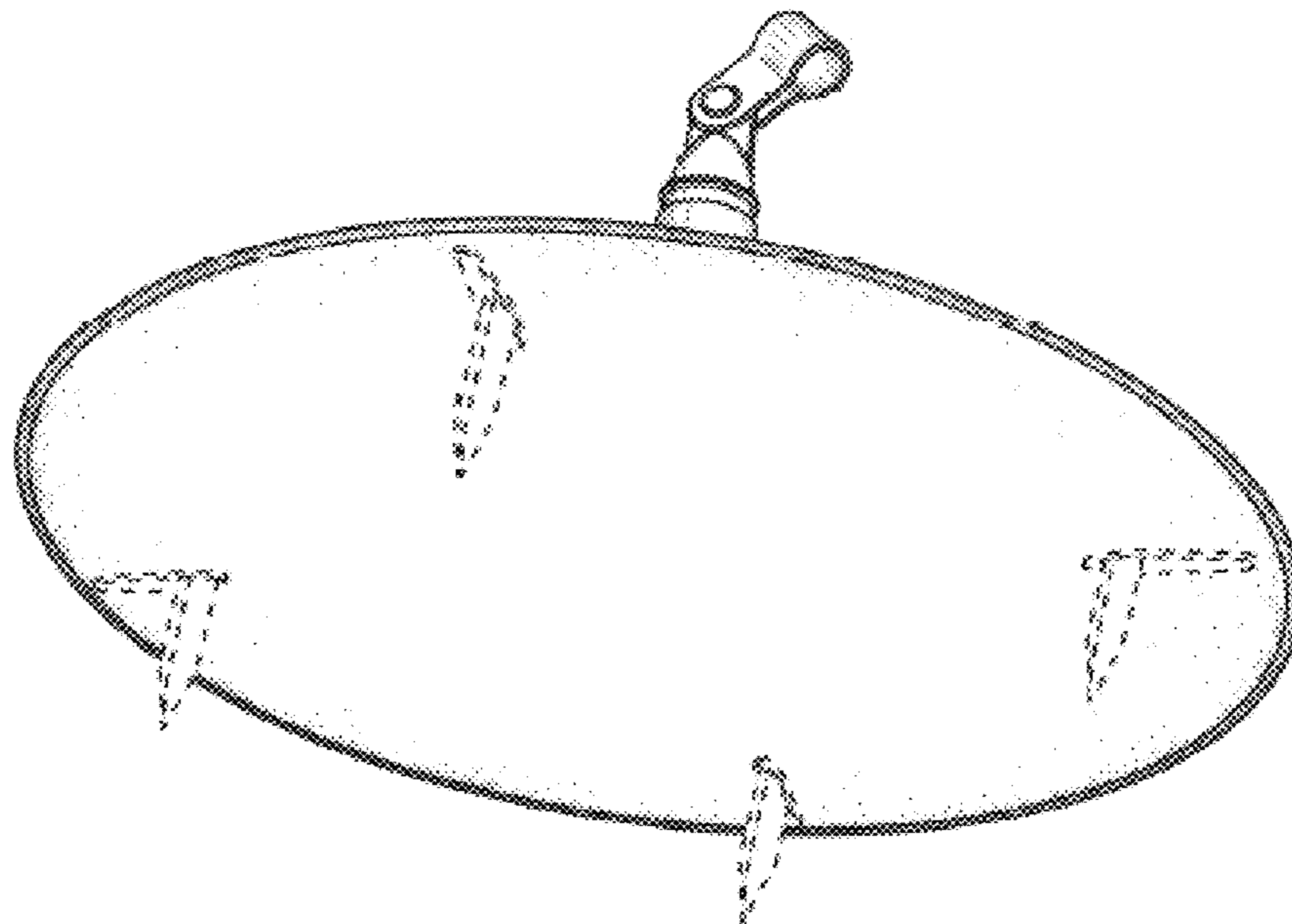


FIGURE 2

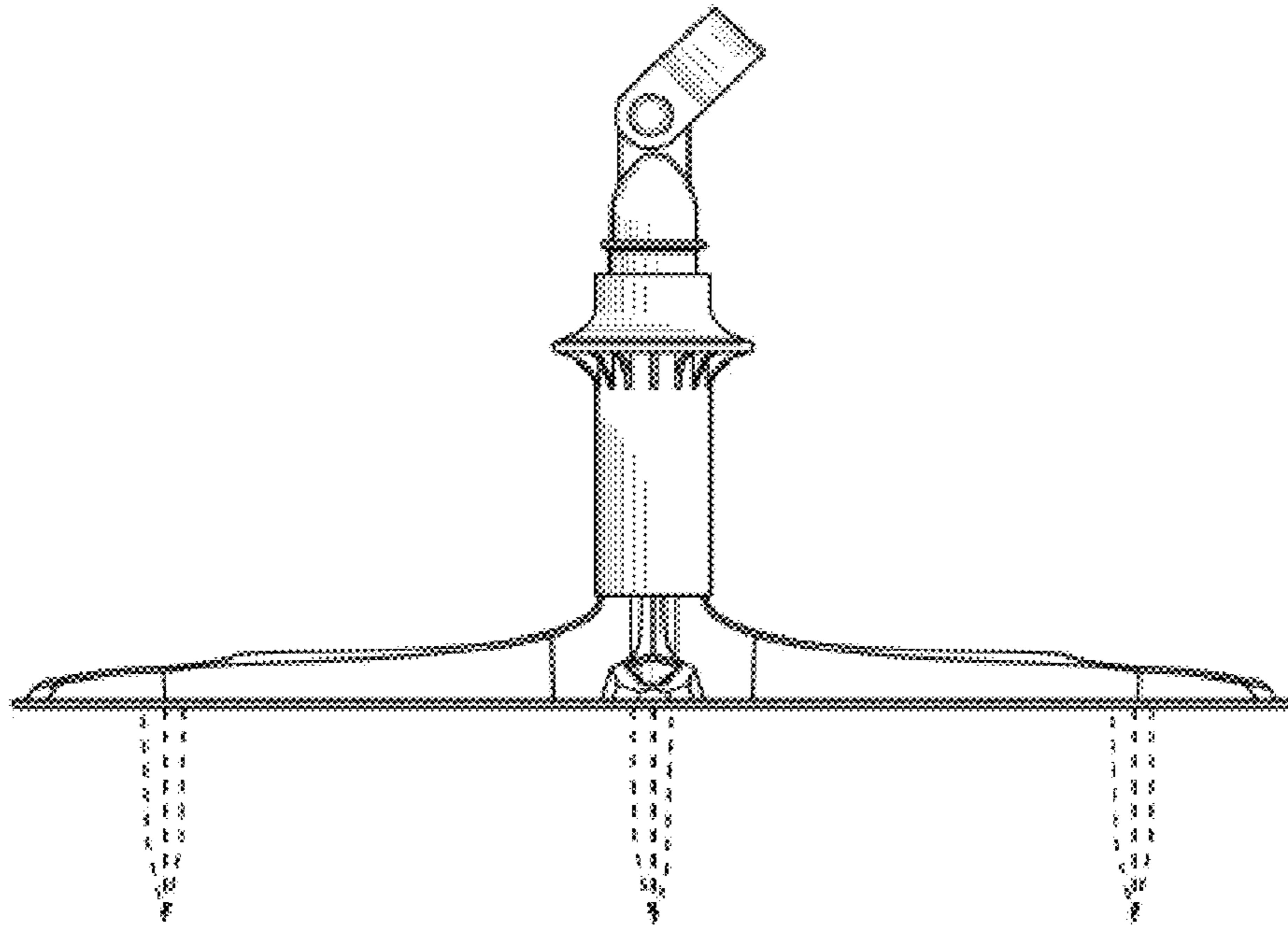


FIGURE 3

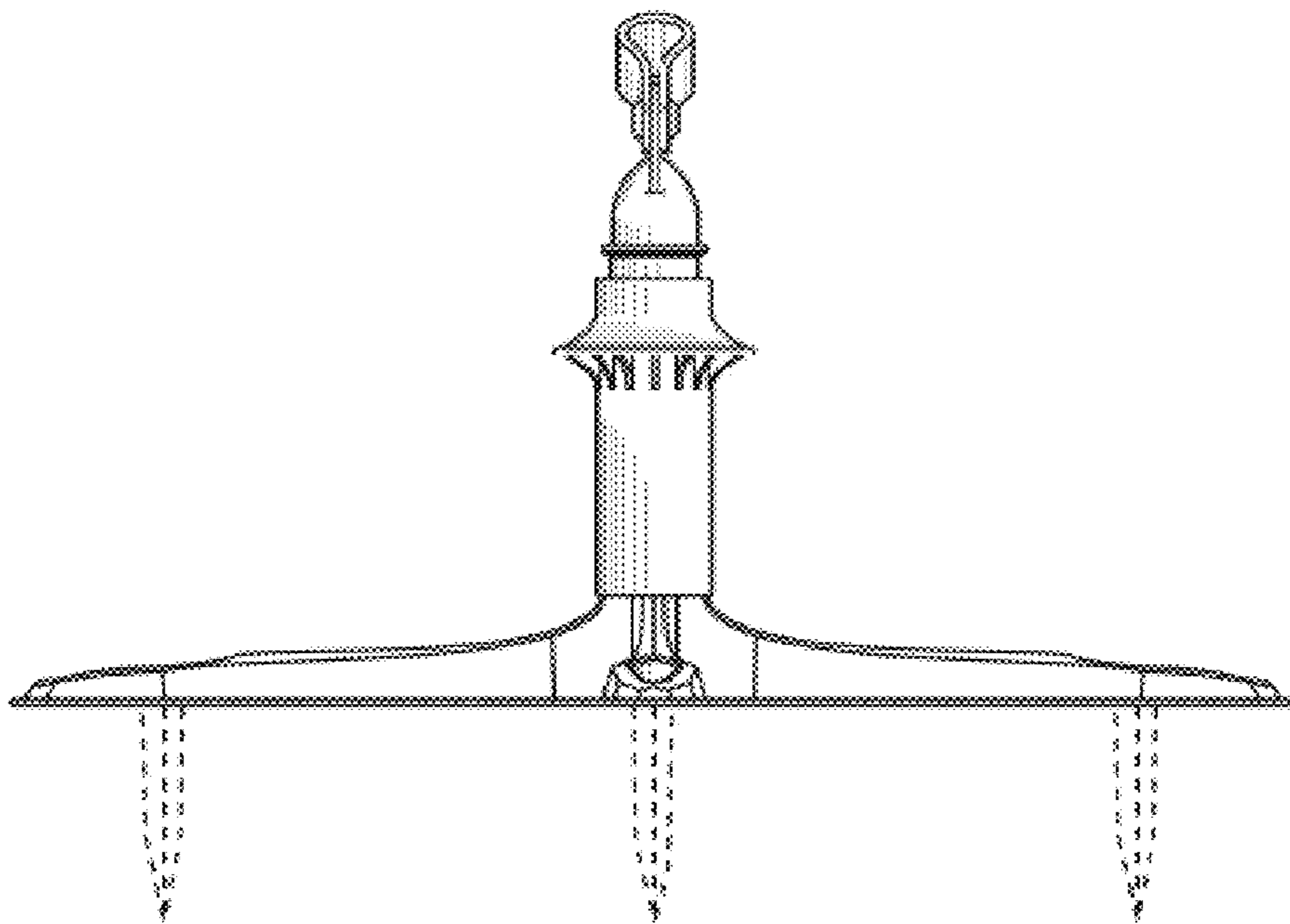


FIGURE 4

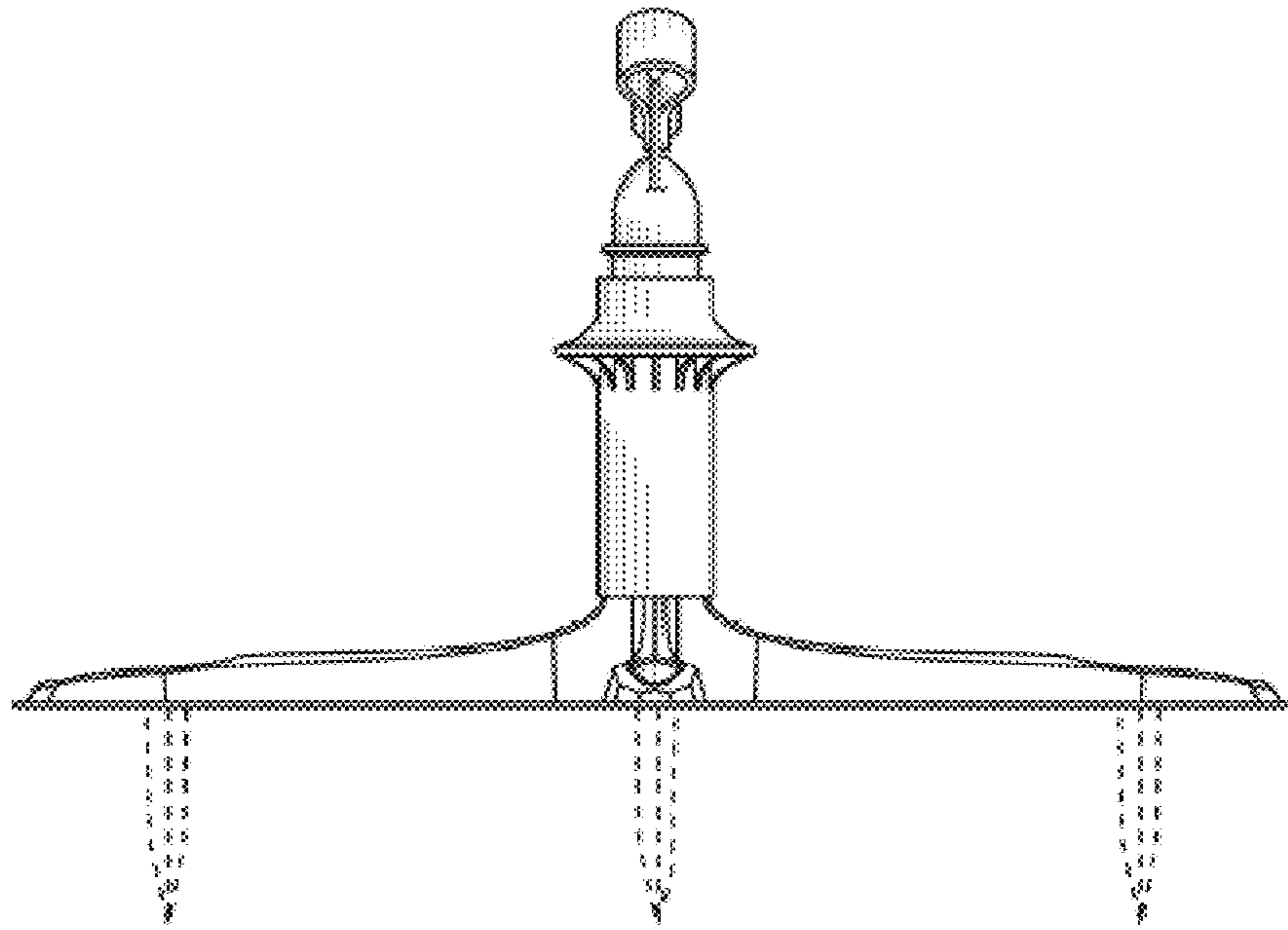


FIGURE 5

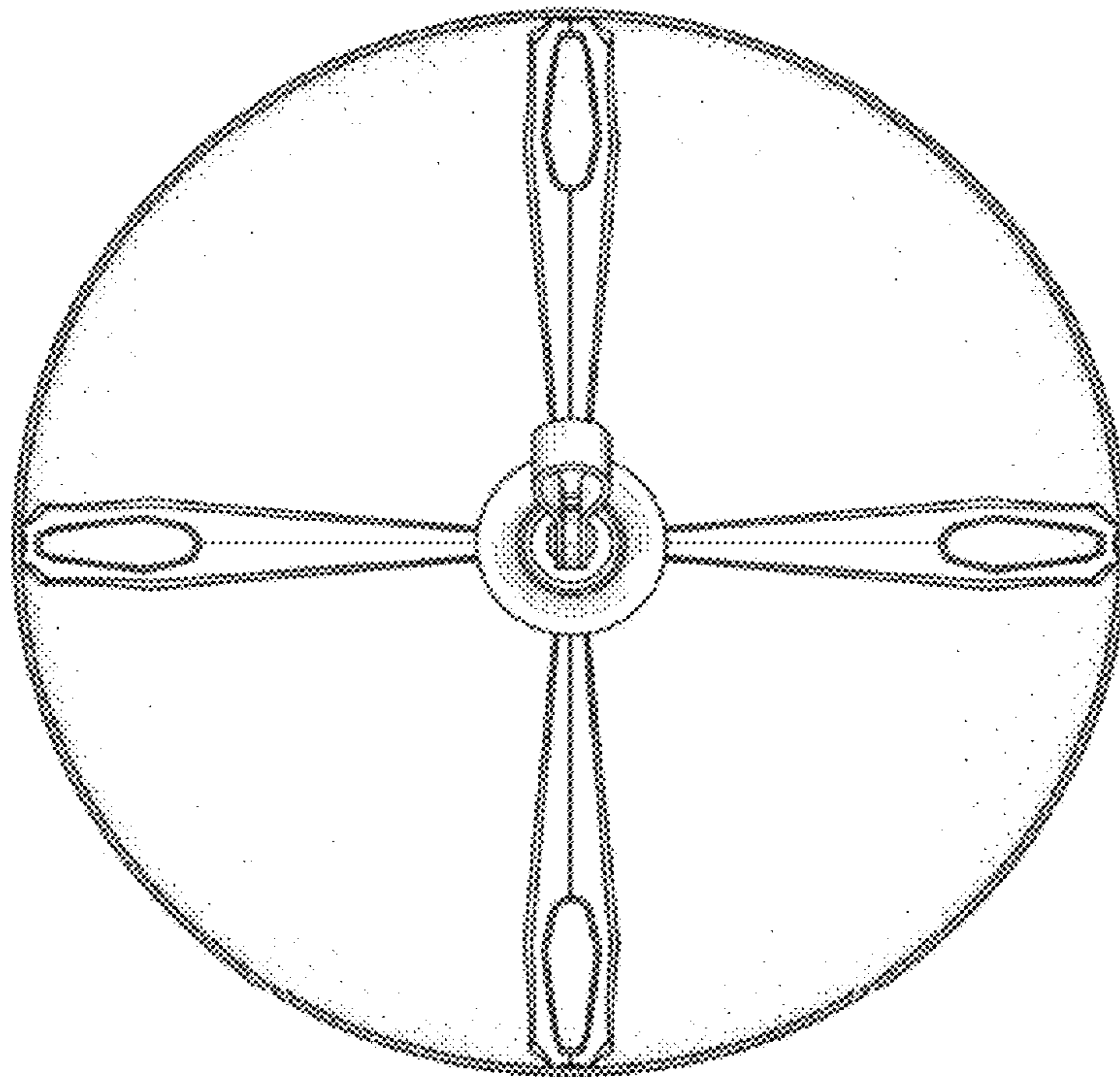


FIGURE 6

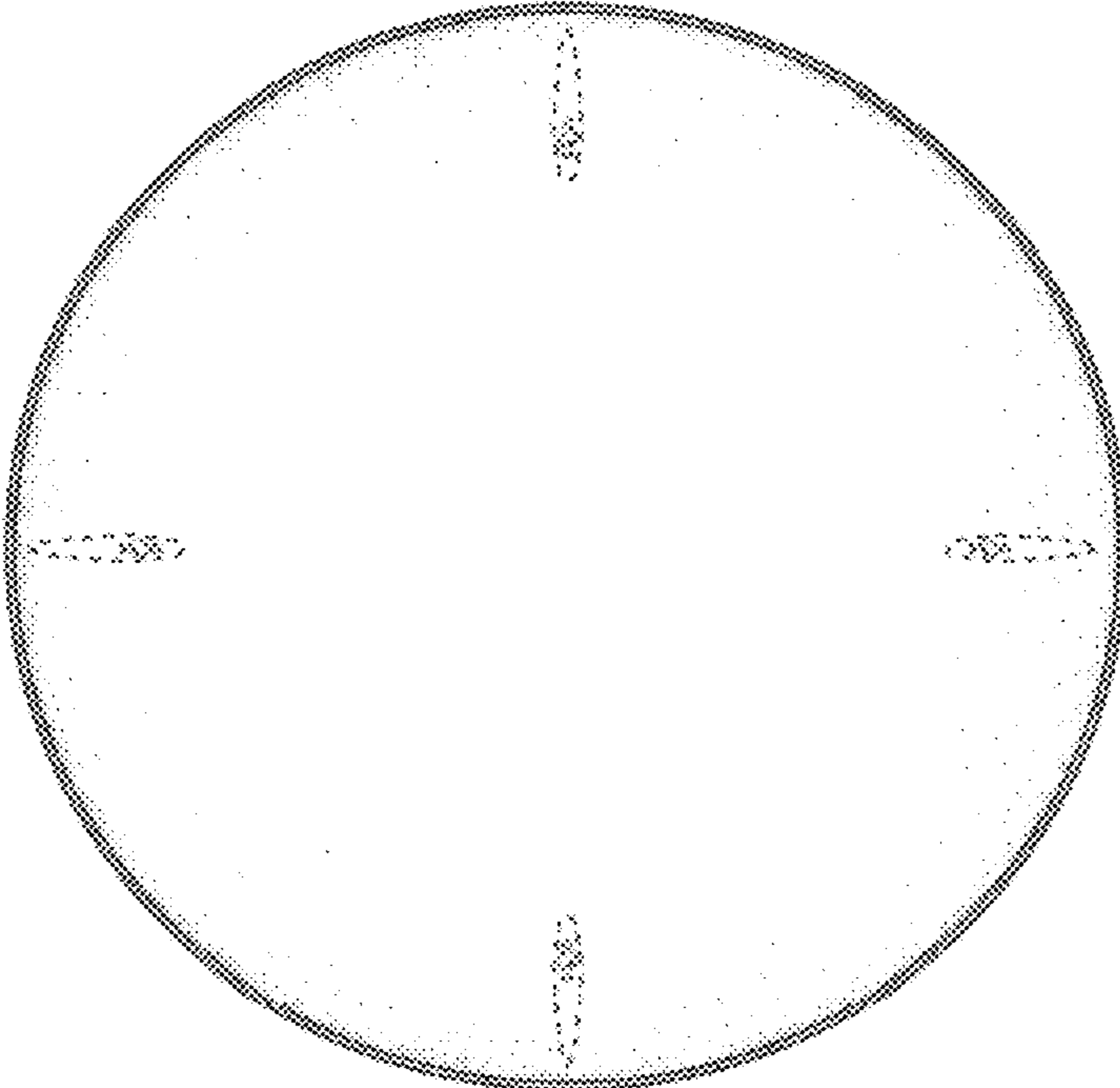


FIGURE 7