



US00D721473S

(12) **United States Design Patent**  
**Kue**

(10) **Patent No.:** **US D721,473 S**  
(45) **Date of Patent:** **\*\* Jan. 27, 2015**

(54) **FOOTWEAR**

(75) Inventor: **Chengkou Kue**, Westminster, CO (US)

(73) Assignee: **Crocs, Inc.**, Niwot, CO (US)

(\*\*) Term: **14 Years**

(21) Appl. No.: **29/418,186**

(22) Filed: **Apr. 12, 2012**

(51) **LOC (10) Cl.** ..... **02-04**

(52) **U.S. Cl.**  
USPC ..... **D2/923**

(58) **Field of Classification Search**

CPC ..... A43B 1/0081; A43B 1/14; A43B 3/0042;  
A43B 3/12; A43B 7/08; A43B 7/06; A43B  
3/10

USPC ..... D2/896, 900, 916, 917, 923, 943, 946,  
D2/969, 972, 976; 36/45, 8, 100, 88, 102,  
36/112, 113, 3 A, 3 R, 7.4, 11.5, 4, 87, 7.5

See application file for complete search history.

(56) **References Cited**

**U.S. PATENT DOCUMENTS**

D390,343 S *	2/1998	Chen .....	D2/903
D416,667 S *	11/1999	Lamstein .....	D2/916
D448,918 S *	10/2001	Hoyt et al. ....	D2/919
D450,913 S *	11/2001	Banik et al. ....	D2/909
D473,040 S	4/2003	Hawker et al.	
D498,901 S	11/2004	Hawker et al.	
6,993,858 B2	2/2006	Seamans	
D517,788 S	3/2006	Seamans	
D517,789 S	3/2006	Seamans	
D517,790 S	3/2006	Seamans	
D525,419 S	7/2006	Seamans	
D529,263 S	10/2006	Wolf	
7,146,751 B2	12/2006	Seamans	
D535,088 S	1/2007	Seamans	
D543,341 S	5/2007	Seamans	
D543,681 S *	6/2007	McCarthy .....	D2/969

D545,032 S	6/2007	Wolf	
D545,033 S	6/2007	Wolf	
D561,982 S	2/2008	Hoyt	
D563,082 S	3/2008	Seamans	
D564,184 S *	3/2008	Issler .....	D2/896
D564,204 S	3/2008	Seamans	
D564,205 S	3/2008	Seamans	

(Continued)

**FOREIGN PATENT DOCUMENTS**

CN	201230431747.4	1/2013
EM	0000611220001 A	8/2003

(Continued)

**OTHER PUBLICATIONS**

Buddy by Calzuro: A New Born in the Calzuro's Family, <http://www.calzuro.it/news.php?lang=en&id=20> (May 13, 2009) (6 pages).

(Continued)

*Primary Examiner* — Ian Simmons

*Assistant Examiner* — Rashida C McCoy

(74) *Attorney, Agent, or Firm* — Faegre Baker Daniels LLP

(57) **CLAIM**

The ornamental design for footwear, as shown and described.

**DESCRIPTION**

FIG. 1 is a front perspective view.

FIG. 2 is a front view.

FIG. 3 is a back view.

FIG. 4 is an inner side view.

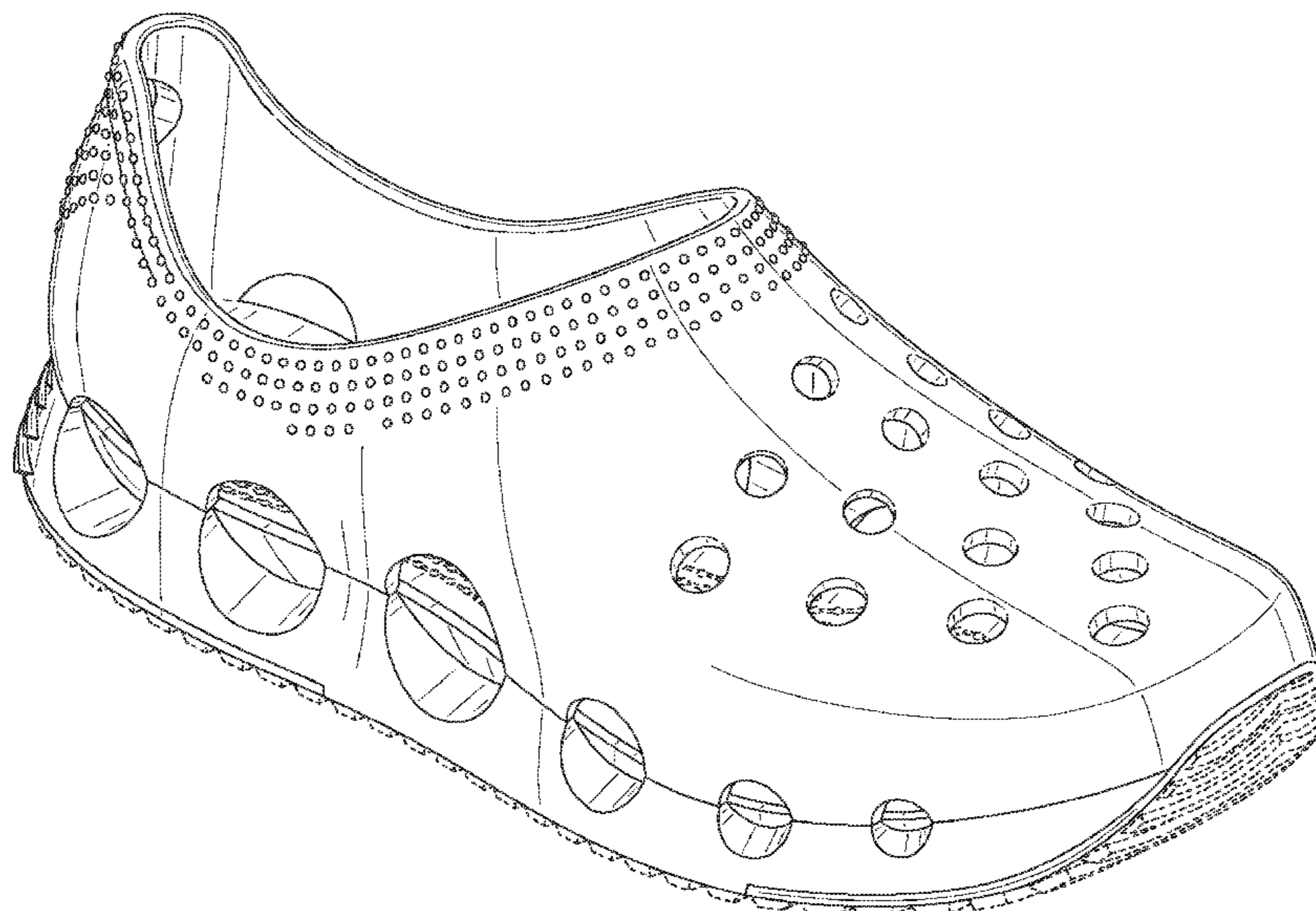
FIG. 5 is an outer side view.

FIG. 6 is a top view; and,

FIG. 7 is a bottom view.

The portions of the design shown in broken lines form no part of the claimed design.

**1 Claim, 7 Drawing Sheets**



(56)

**References Cited**

U.S. PATENT DOCUMENTS

D564,207 S 3/2008 Seamans  
D564,208 S 3/2008 Seamans  
D564,749 S 3/2008 Seamans  
D567,482 S 4/2008 Hoyt  
D567,483 S 4/2008 Liow  
D573,778 S 7/2008 Hawker  
D575,937 S \* 9/2008 Klavano ..... D2/896  
D578,743 S 10/2008 Liow  
D579,182 S 10/2008 Klavano  
D579,651 S 11/2008 Hearn  
D584,032 S 1/2009 Jarosik  
D584,037 S 1/2009 Del Biondi et al.  
D590,588 S 4/2009 Del Biondi et al.  
D593,287 S 6/2009 Del Biondi et al.  
D599,538 S 9/2009 Del Biondi et al.  
D600,907 S 9/2009 Boyd et al.  
D629,594 S \* 12/2010 Mann ..... D2/923  
D698,531 S 2/2014 Lock et al.

2004/0231189 A1 11/2004 Seamans  
2004/0231190 A1 11/2004 Seamans  
2004/0231191 A1 11/2004 Seamans  
2006/0048407 A1 3/2006 Seamans  
2007/0130797 A1 6/2007 Seamans

FOREIGN PATENT DOCUMENTS

GB 2322286 A 8/1998  
WO WO2004105531 A1 12/2004  
WO WO2004105534 A2 12/2004

OTHER PUBLICATIONS

Crocs: Cayman, <http://www.crocs.com/crocs-cayman/10001,default,pd.html?q=cayman> (Nov. 3, 2009) (6 pages) (depicting Cayman shoe on sale in the US more than one year before Feb. 23, 2009).  
Design U.S. Appl. No. 29/418,264, filed Apr. 13, 2012, 22 pages.

\* cited by examiner

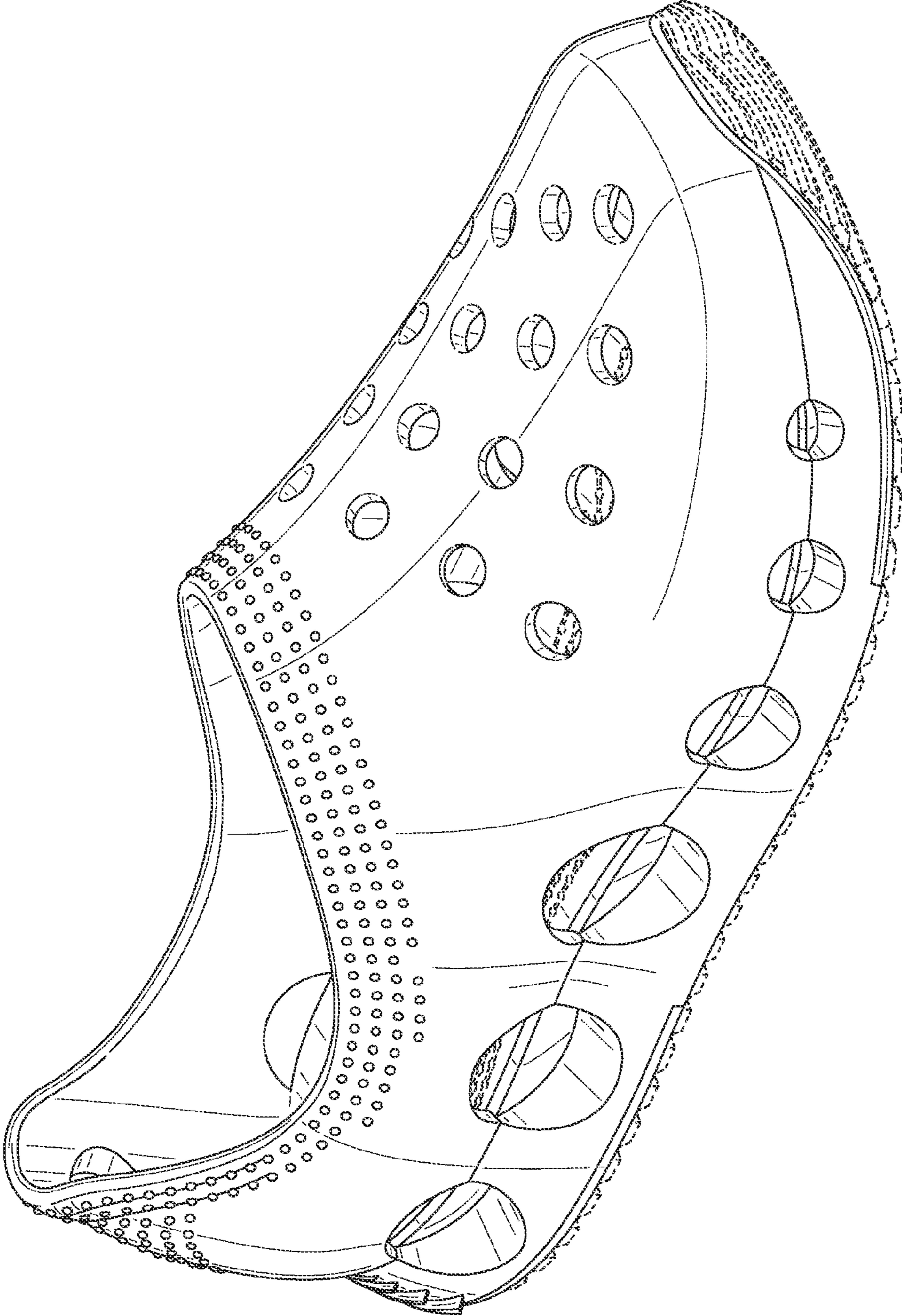


FIG. 1

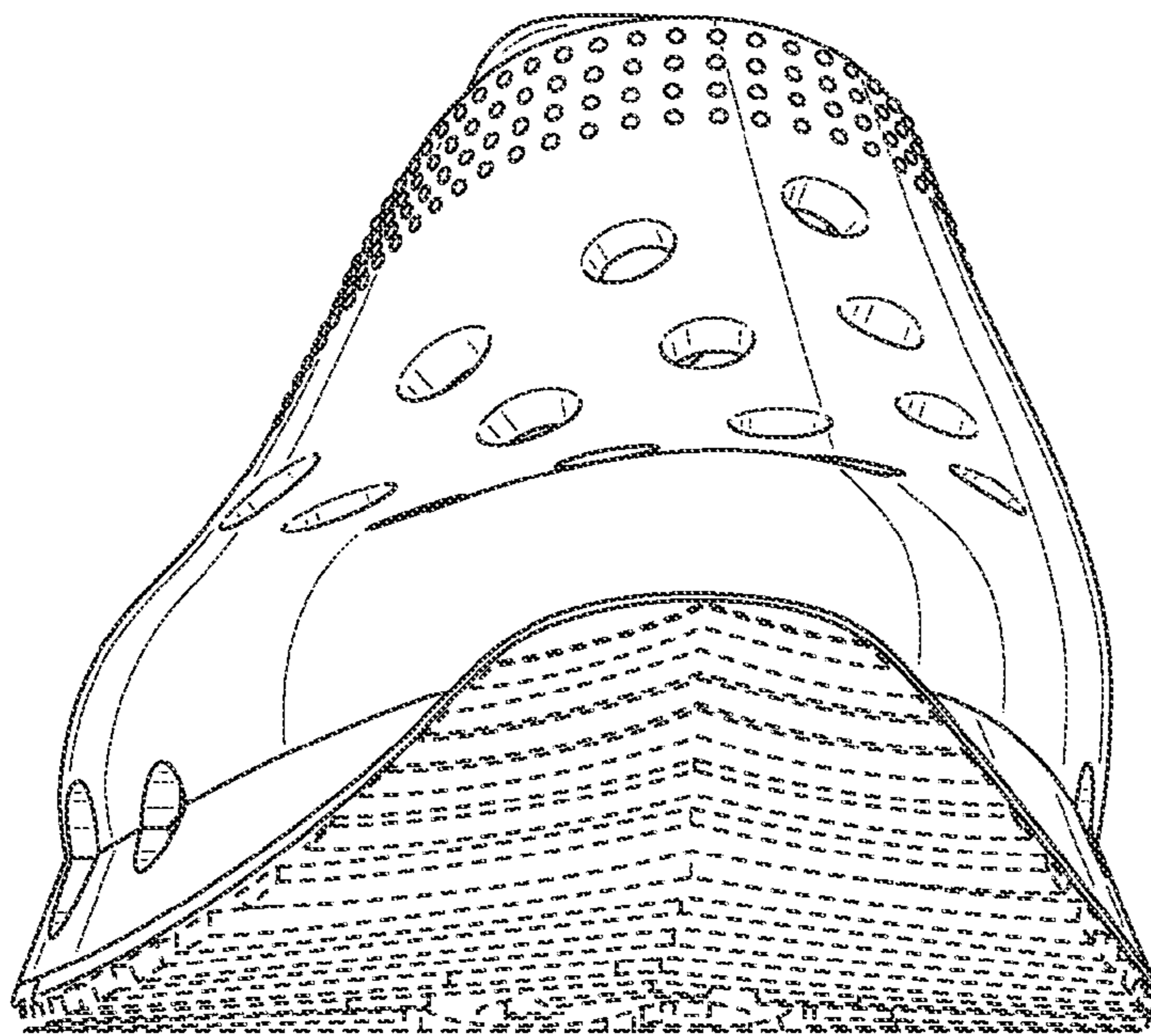


FIG. 2

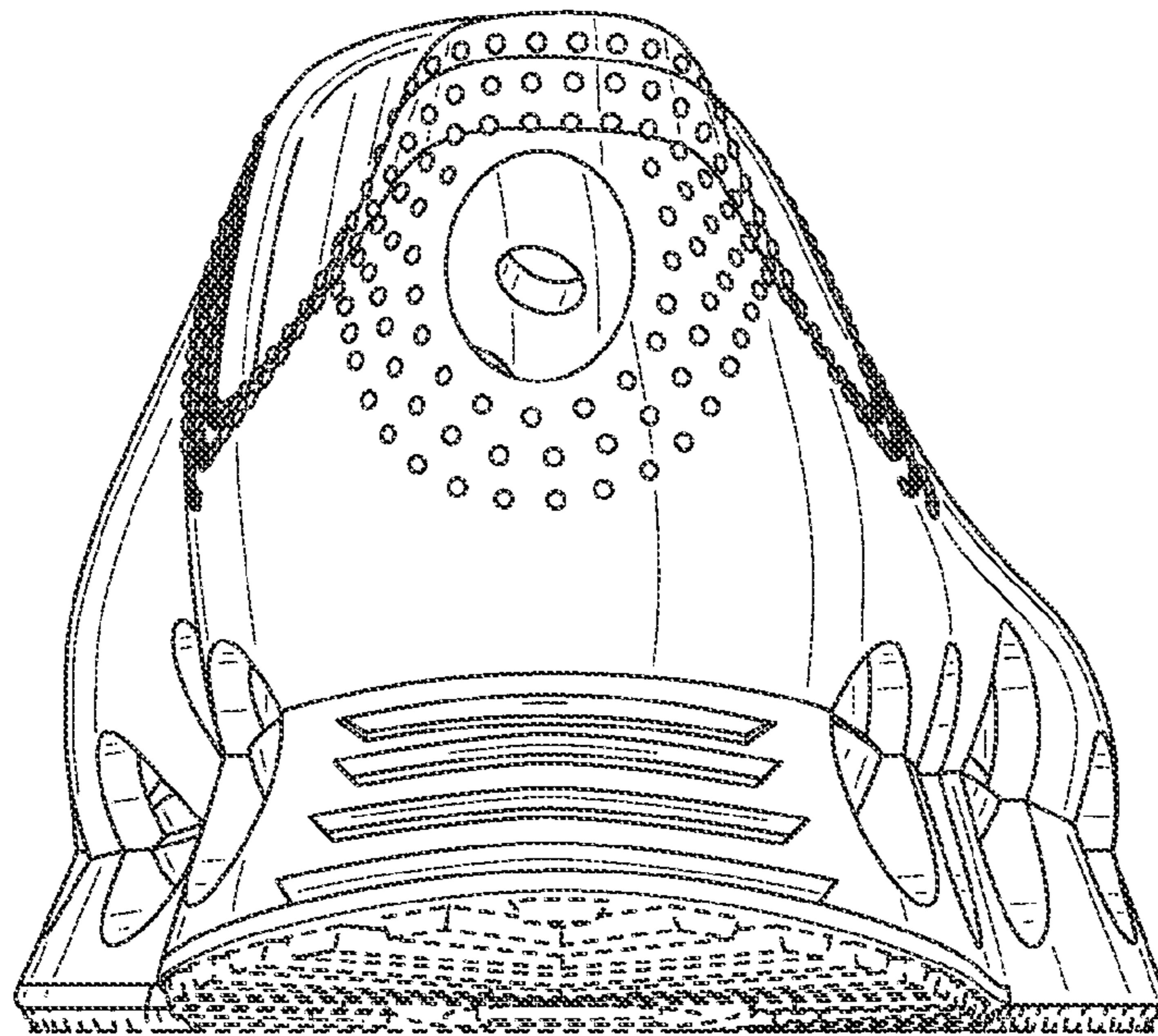


FIG. 3

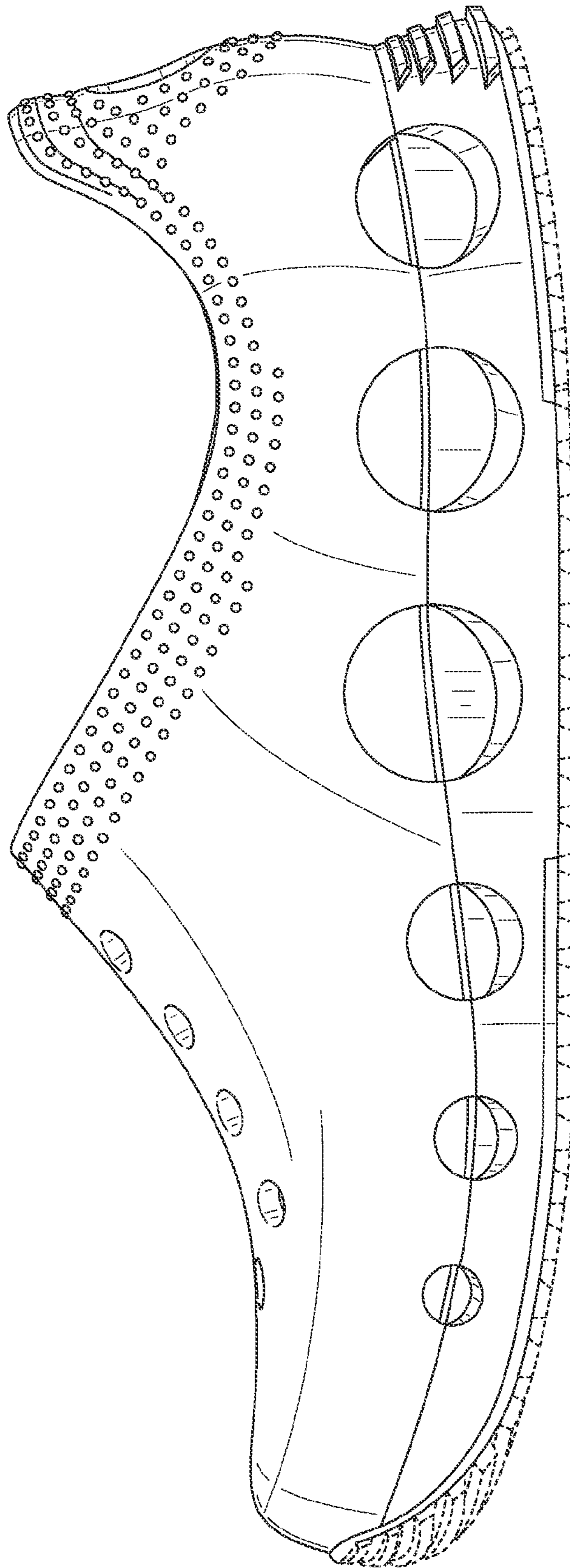


FIG. 4

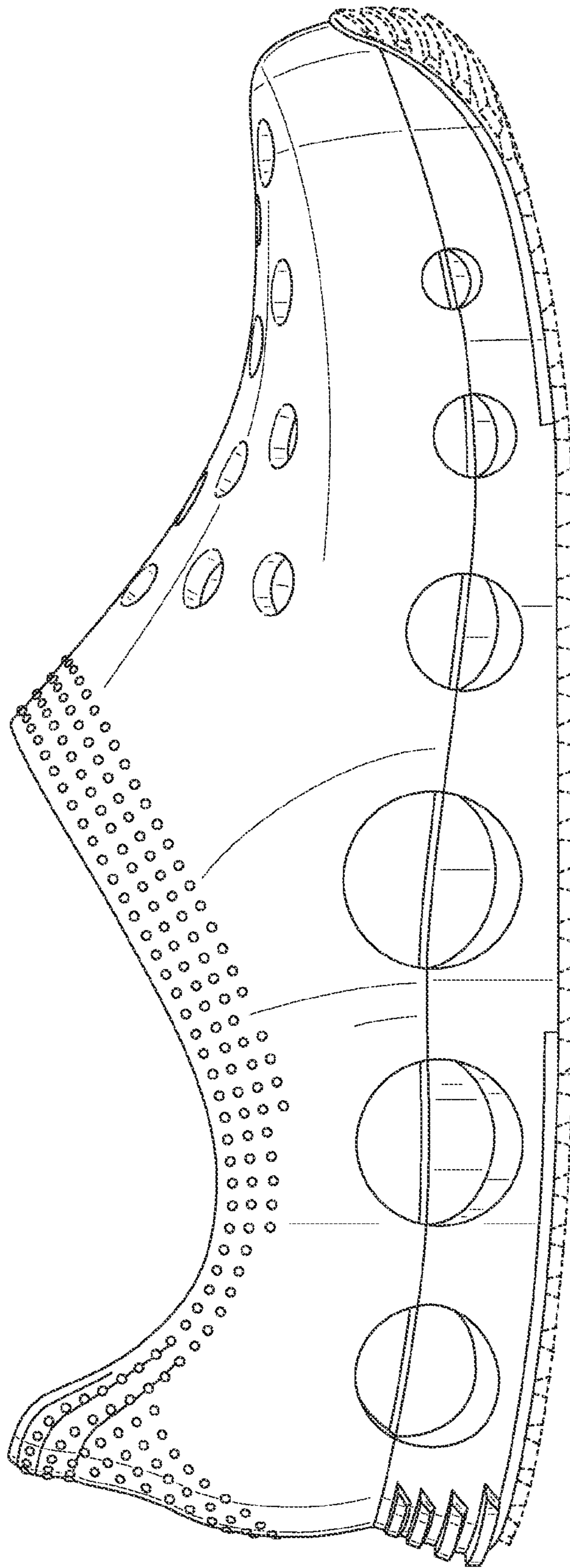


FIG. 5

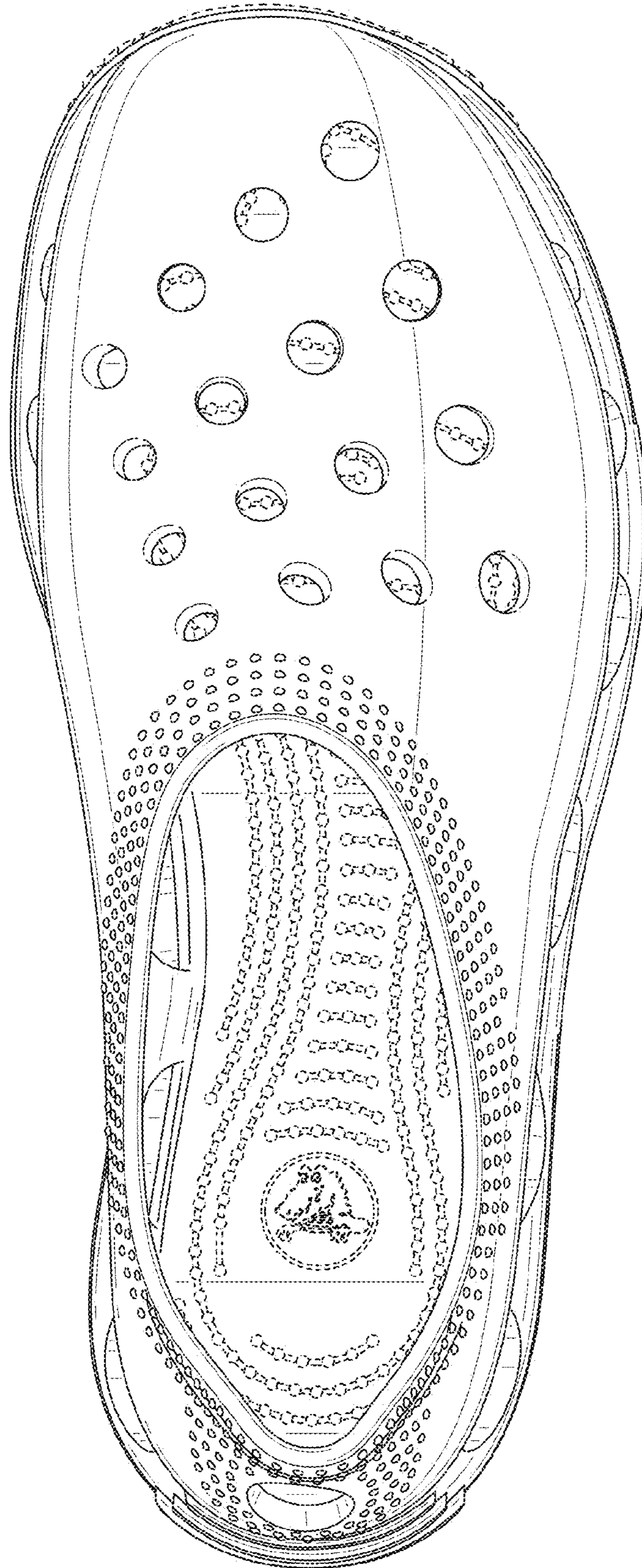


FIG. 6



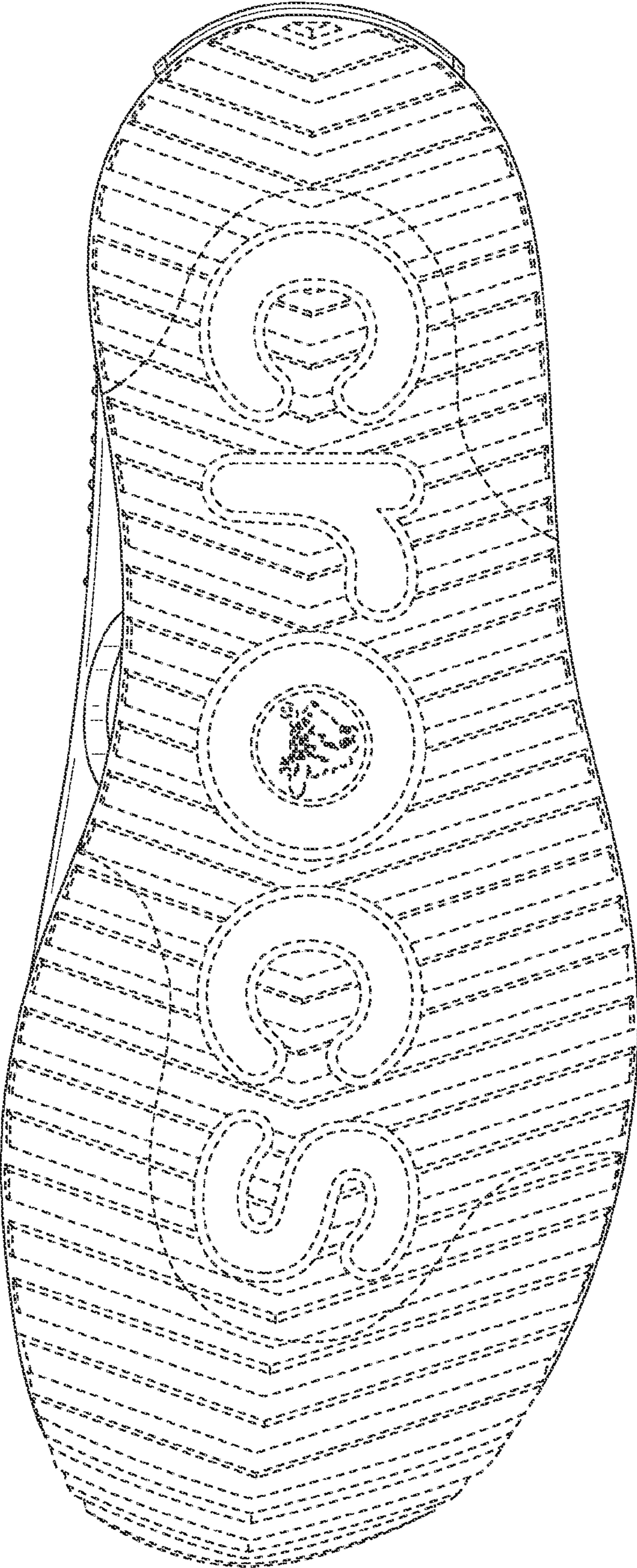


FIG. 7