



US00D721470S

(12) **United States Design Patent**
Kolb

(10) **Patent No.:** **US D721,470 S**
(45) **Date of Patent:** **** Jan. 27, 2015**

(54) **JACKET WITH SNAKESKIN-LIKE PATTERN**

OTHER PUBLICATIONS

(71) Applicant: **Earle W. Kolb**, Salem, NH (US)

Fruition LV. Snakeskin. <http://shop.fruitionlv.com/category/snakeskin/>. Apr. 2013. Snakeskin Moto Bomber Jacket.*

(72) Inventor: **Earle W. Kolb**, Salem, NH (US)

* cited by examiner

(**) Term: **14 Years**

Primary Examiner — Rashida Johnson

(21) Appl. No.: **29/450,702**

(74) *Attorney, Agent, or Firm* — Mesmer & Deleault, PLLC

(22) Filed: **Mar. 21, 2013**

(51) **LOC (10) Cl.** **02-02**

(57) **CLAIM**

(52) **U.S. Cl.**
USPC **D2/836**

The ornamental design for a jacket with snakeskin-like pattern, as shown and described.

(58) **Field of Classification Search**
USPC D2/728, 828, 829, 836, 839, 840, 847,
D2/863, 864; 2/93, 94, 101, 102, 249, 250,
2/251, 271

DESCRIPTION

See application file for complete search history.

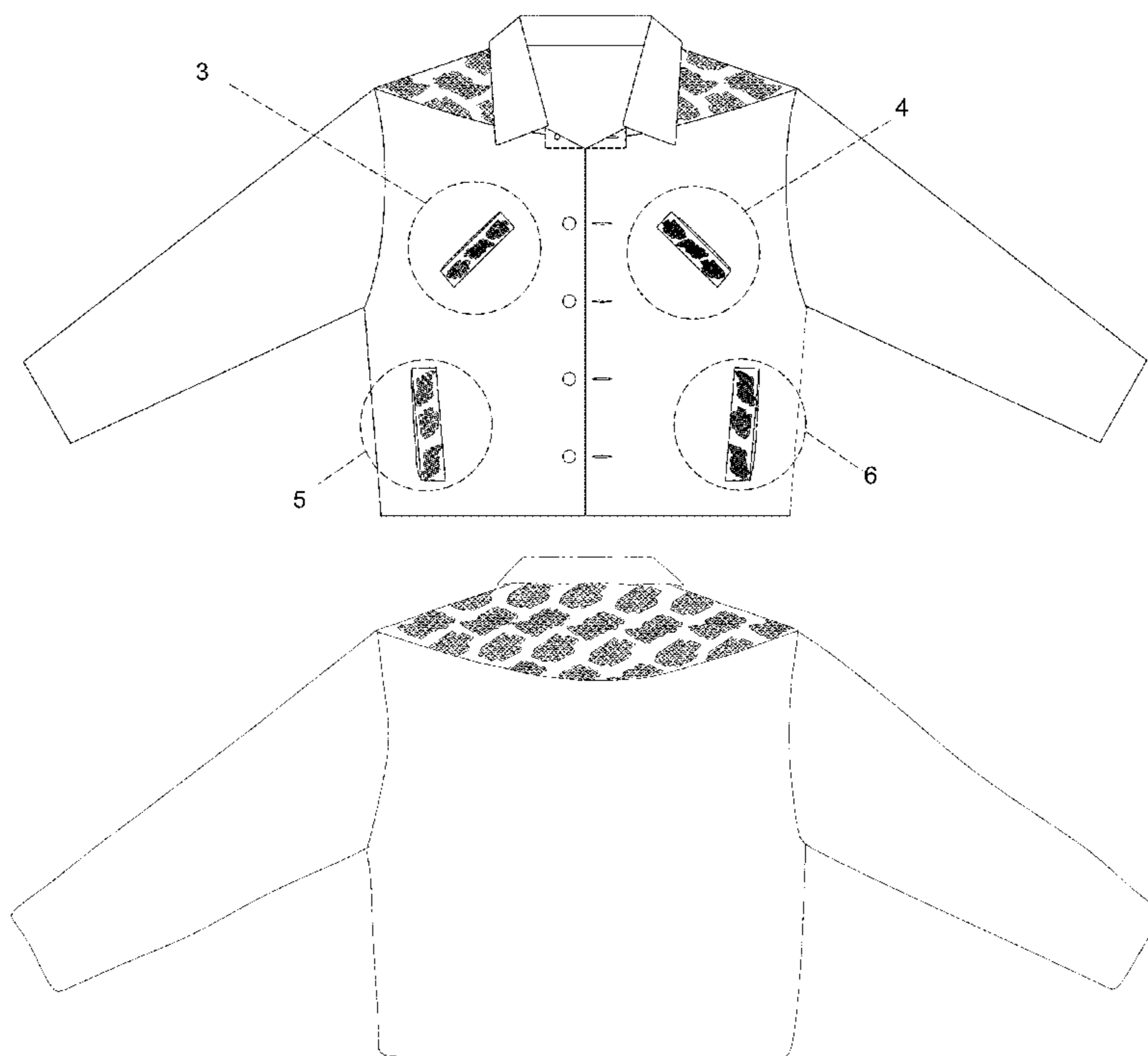
FIG. 1 is a front view of a jacket with snakeskin-like pattern, showing my design;
FIG. 2 is a rear view thereof;
FIG. 3 is an enlarged sectional view thereof showing the right, breast pocket trim;
FIG. 4 is an enlarged sectional view thereof showing the left, breast pocket trim;
FIG. 5 is an enlarged sectional view thereof showing the right, waist pocket trim;
FIG. 6 is an enlarged sectional view thereof showing the left, waist pocket trim;
FIG. 7 is an enlarged front view of the top portion of the jacket; and,
FIG. 8 is an enlarged rear view of the top portion of the jacket.

(56) **References Cited**

U.S. PATENT DOCUMENTS

1,914,236	A	1/1933	Berkwits	
D142,951	S *	11/1945	Finklestein	D2/839
3,582,988	A *	6/1971	Armellino	2/2.5
D281,541	S	12/1985	Kerr	
4,646,366	A *	3/1987	Nishida et al.	2/108
D387,190	S	12/1997	Garcia	
D428,548	S	7/2000	Hosogai	
D504,993	S	5/2005	Brown	
D527,868	S *	9/2006	Wager	D2/828
D643,577	S *	8/2011	Bulan et al.	D29/100
D662,282	S *	6/2012	Meunier-Bouchard	D2/828
2005/0015843	A1 *	1/2005	Roux et al.	2/69
2008/0098503	A1 *	5/2008	Swartz	2/458

1 Claim, 7 Drawing Sheets



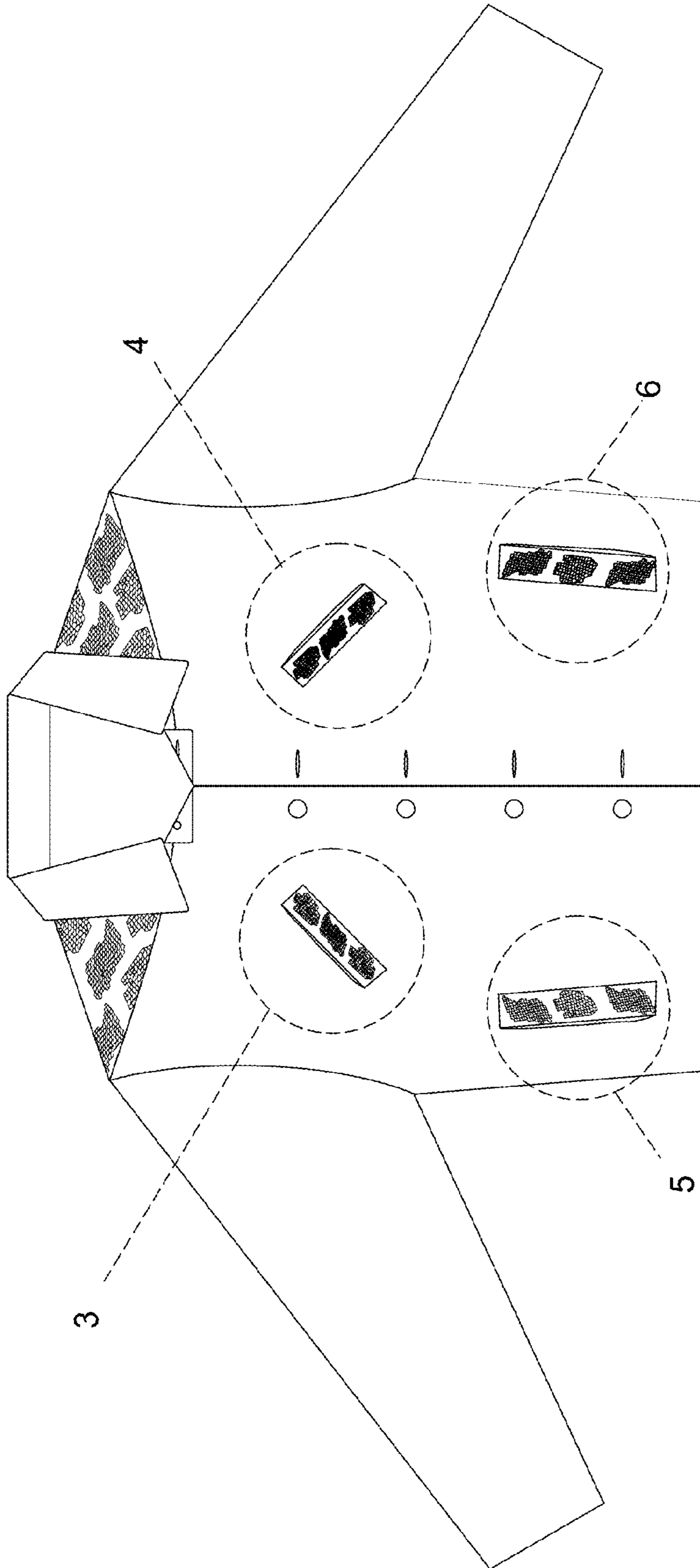


Fig. 1

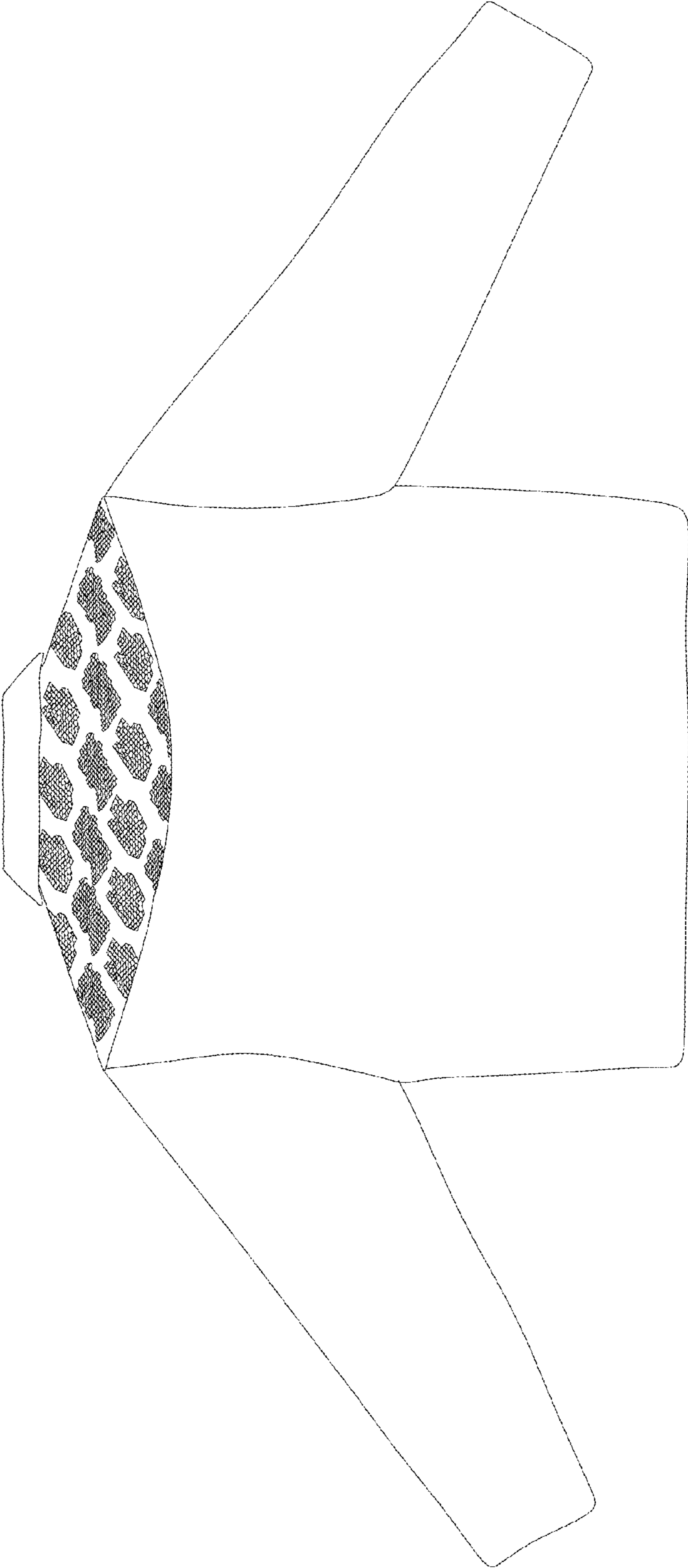


Fig. 2

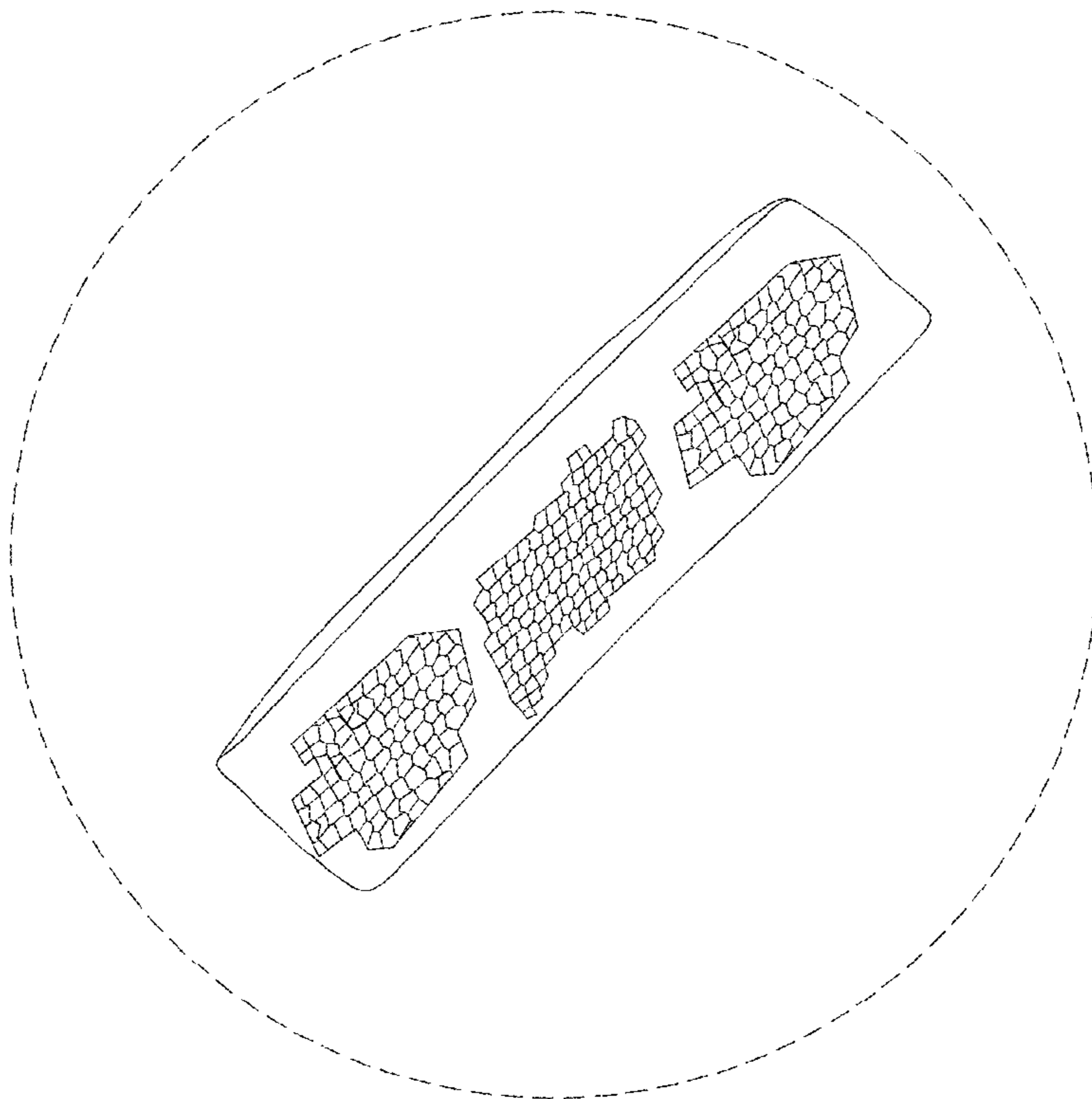


Fig. 3

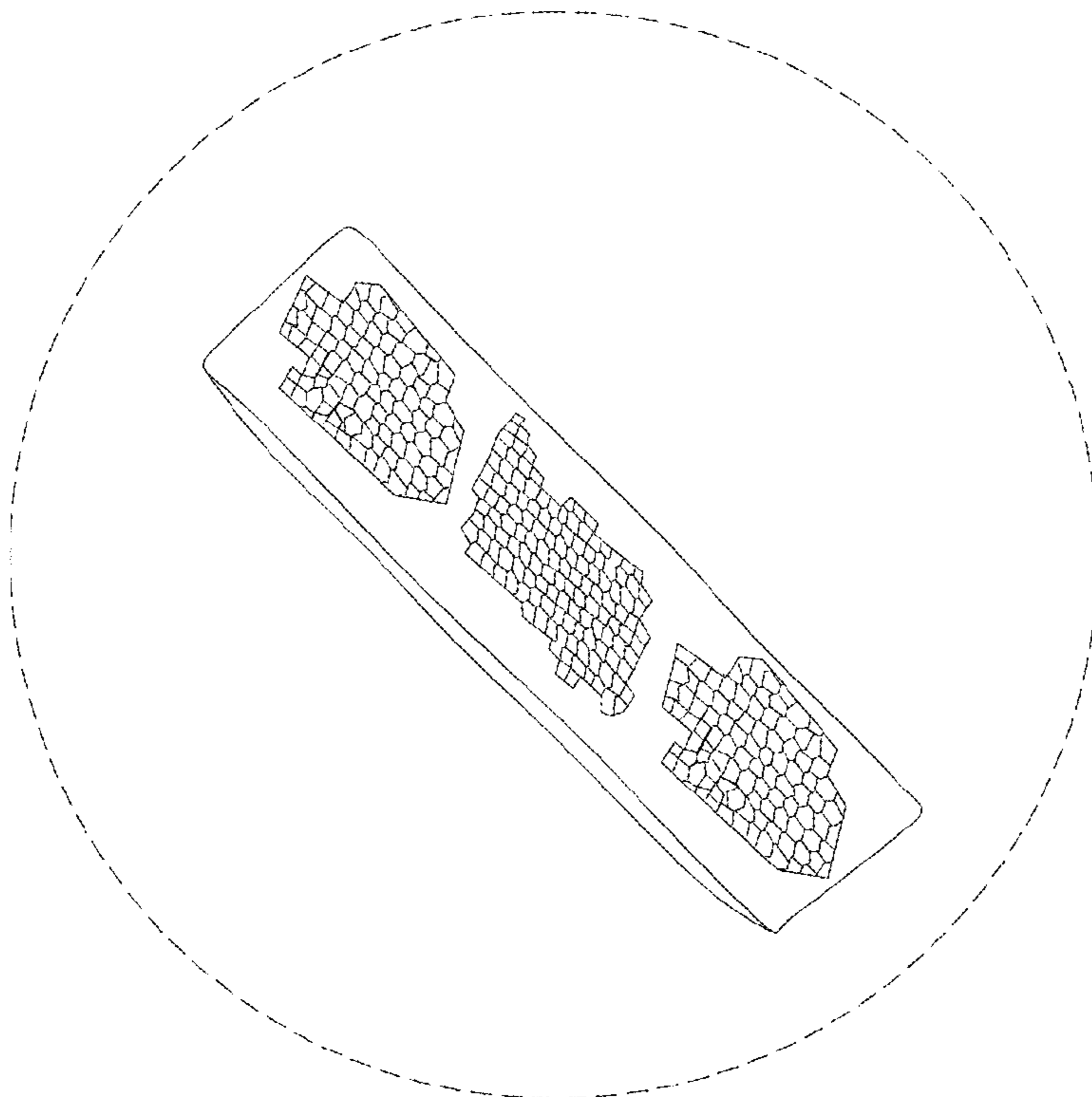


Fig. 4

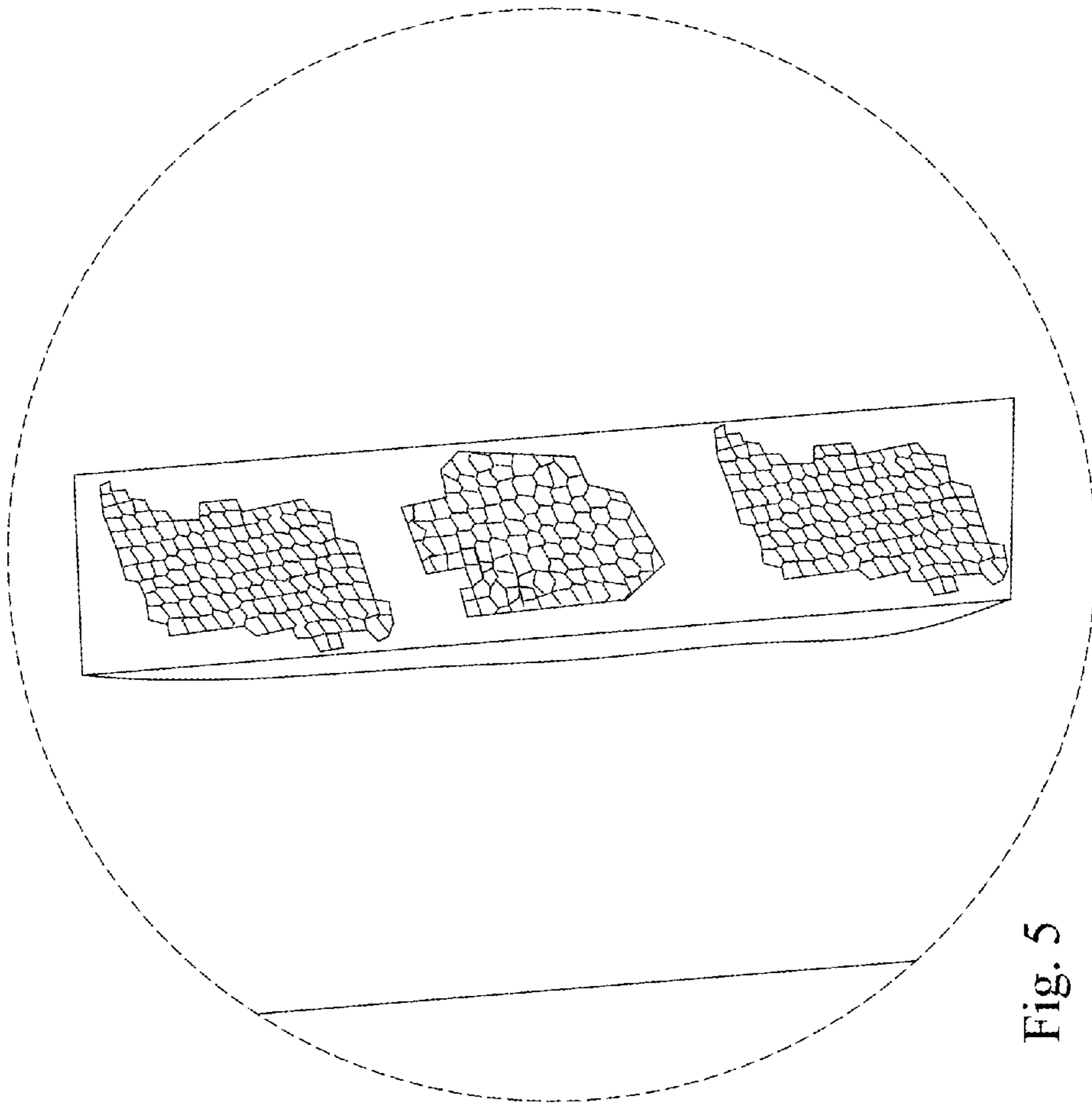


Fig. 5

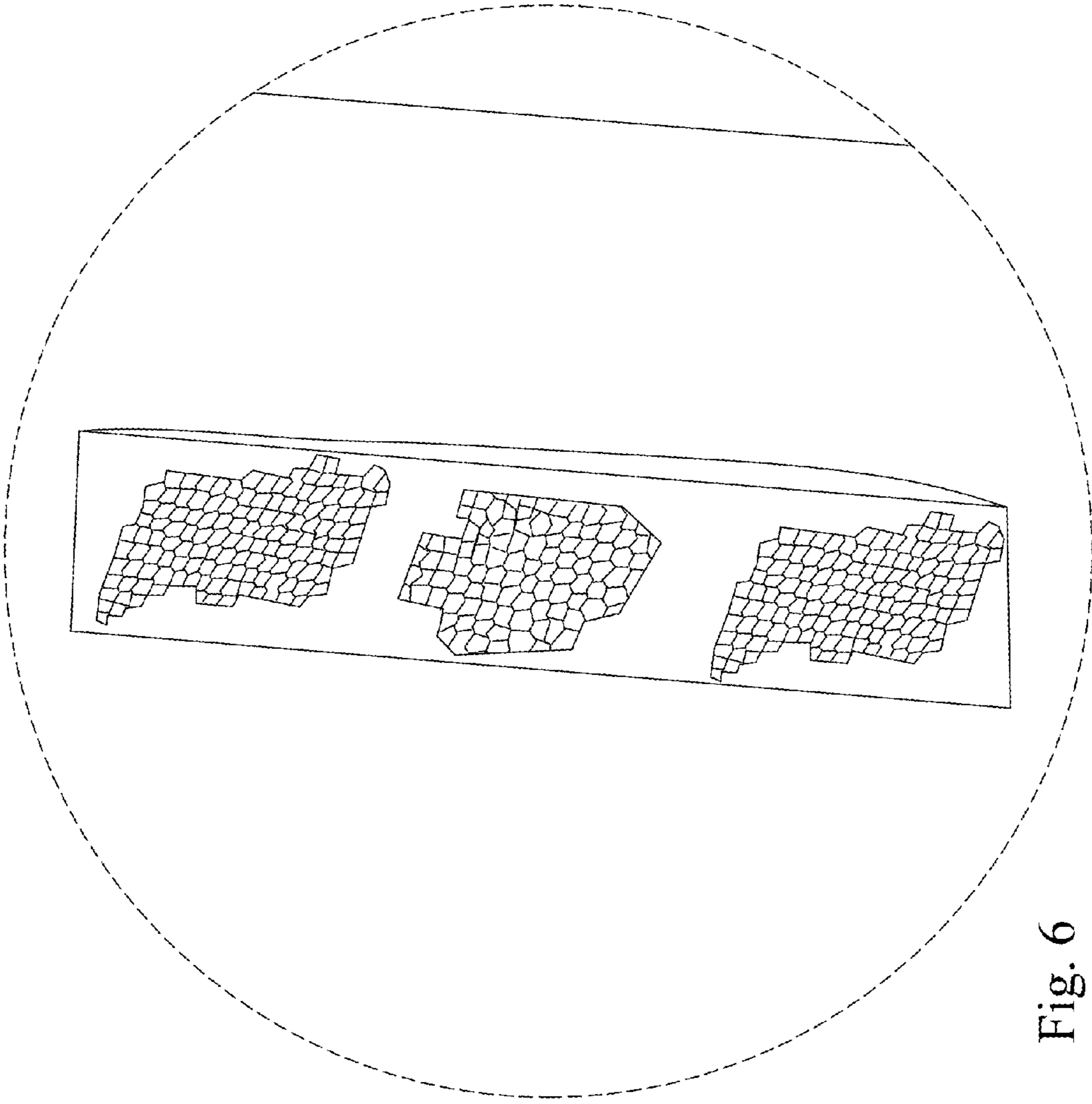


Fig. 6

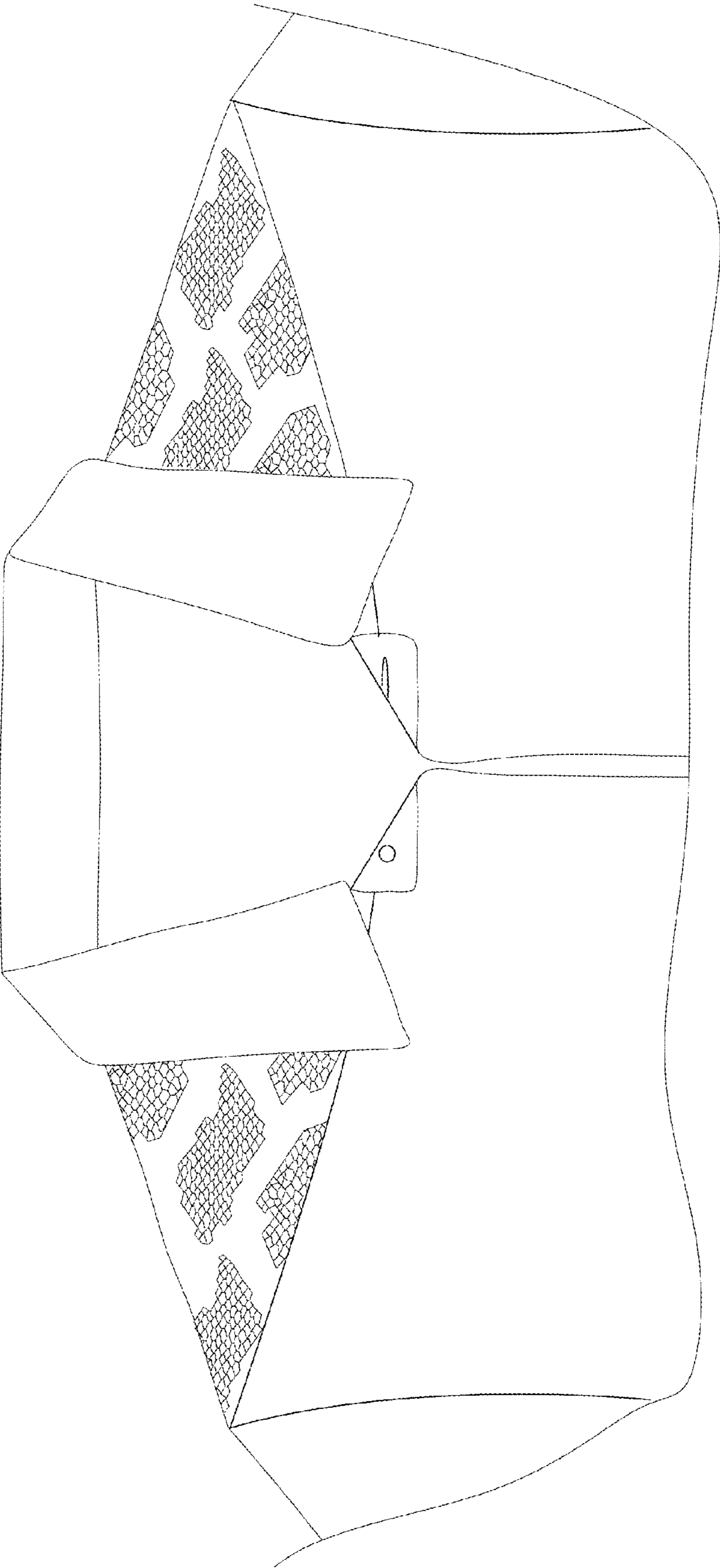


Fig. 7

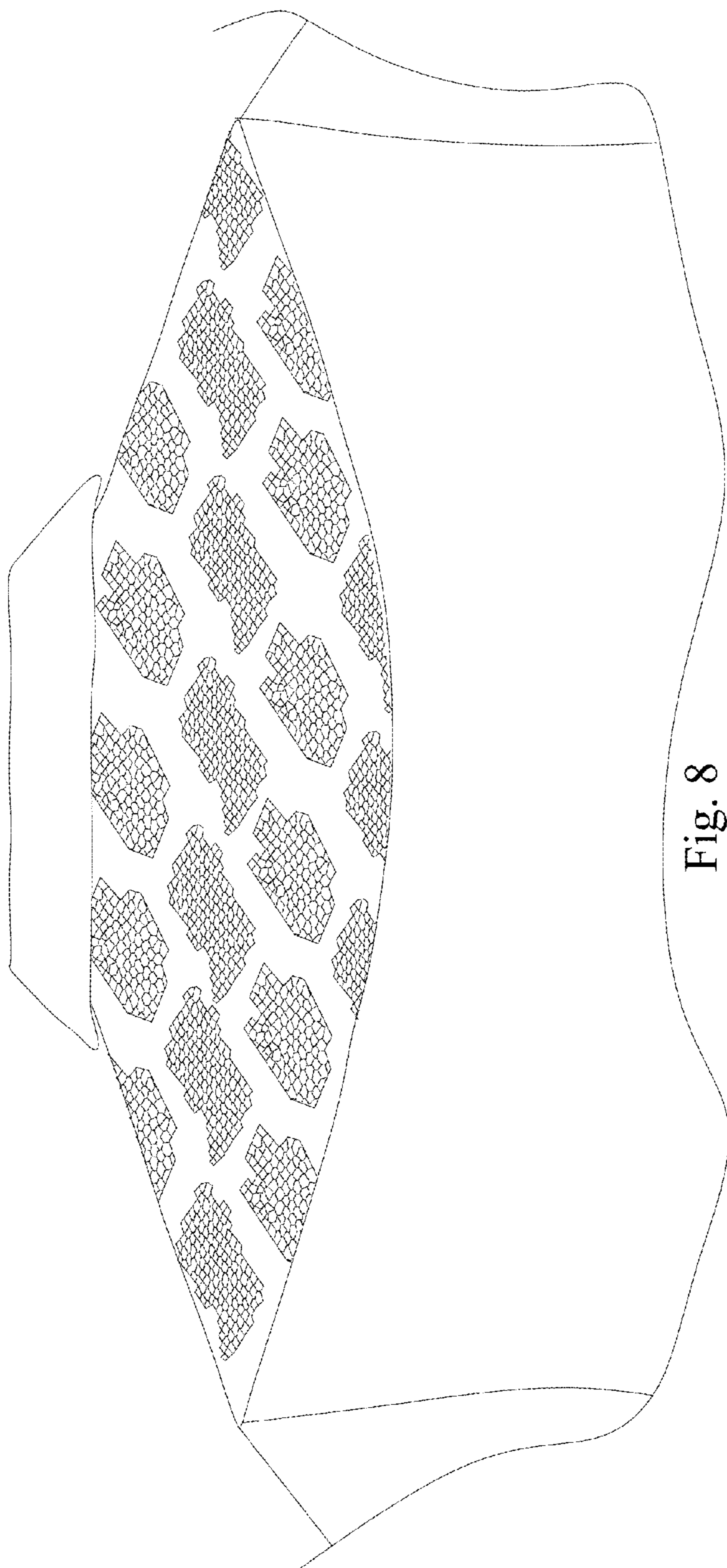


Fig. 8