



US00D721469S

(12) **United States Design Patent**
Dye

(10) **Patent No.:** **US D721,469 S**
(45) **Date of Patent:** **** Jan. 27, 2015**

(54) **PANTS**

- (71) Applicant: **Molly Dye**, Atlanta, GA (US)
- (72) Inventor: **Molly Dye**, Atlanta, GA (US)
- (73) Assignee: **MDF Designs, LLC**, Atlanta, GA (US)
- (**) Term: **14 Years**
- (21) Appl. No.: **29/442,016**
- (22) Filed: **Nov. 13, 2012**
- (51) **LOC (10) Cl.** **02-02**
- (52) **U.S. Cl.**
USPC **D2/742**
- (58) **Field of Classification Search**
USPC 2/22, 23, 71, 72, 79, 87, 94, 95, 227,
2/228, 238, 242, 247, 900, 912, 911;
D2/712, 731, 738, 742, 743, 748, 857,
D2/862, 901, 999
See application file for complete search history.

(56) **References Cited**

U.S. PATENT DOCUMENTS

4,258,440	A *	3/1981	McGowan	2/114
4,914,756	A *	4/1990	Grassick	2/227
5,033,125	A *	7/1991	de la Villefromoy et al.	2/237
5,191,659	A *	3/1993	Backus	2/227
5,802,611	A *	9/1998	McKenzie et al.	2/69
D483,172	S *	12/2003	Edwards et al.	D2/743
D622,935	S *	9/2010	Jackson et al.	D2/742
7,966,672	B1 *	6/2011	Hagerman et al.	2/227
2006/0021115	A1 *	2/2006	Stanley	2/400

FOREIGN PATENT DOCUMENTS

DE	2558745	A1 *	7/1977
WO	0172258	A2 *	10/2001

OTHER PUBLICATIONS

YouTube. <URL: <https://www.youtube.com/watch?v=ZvDVxtJMsU>>. Aug. 7, 2013. Guide "CareZips".*
(Continued)

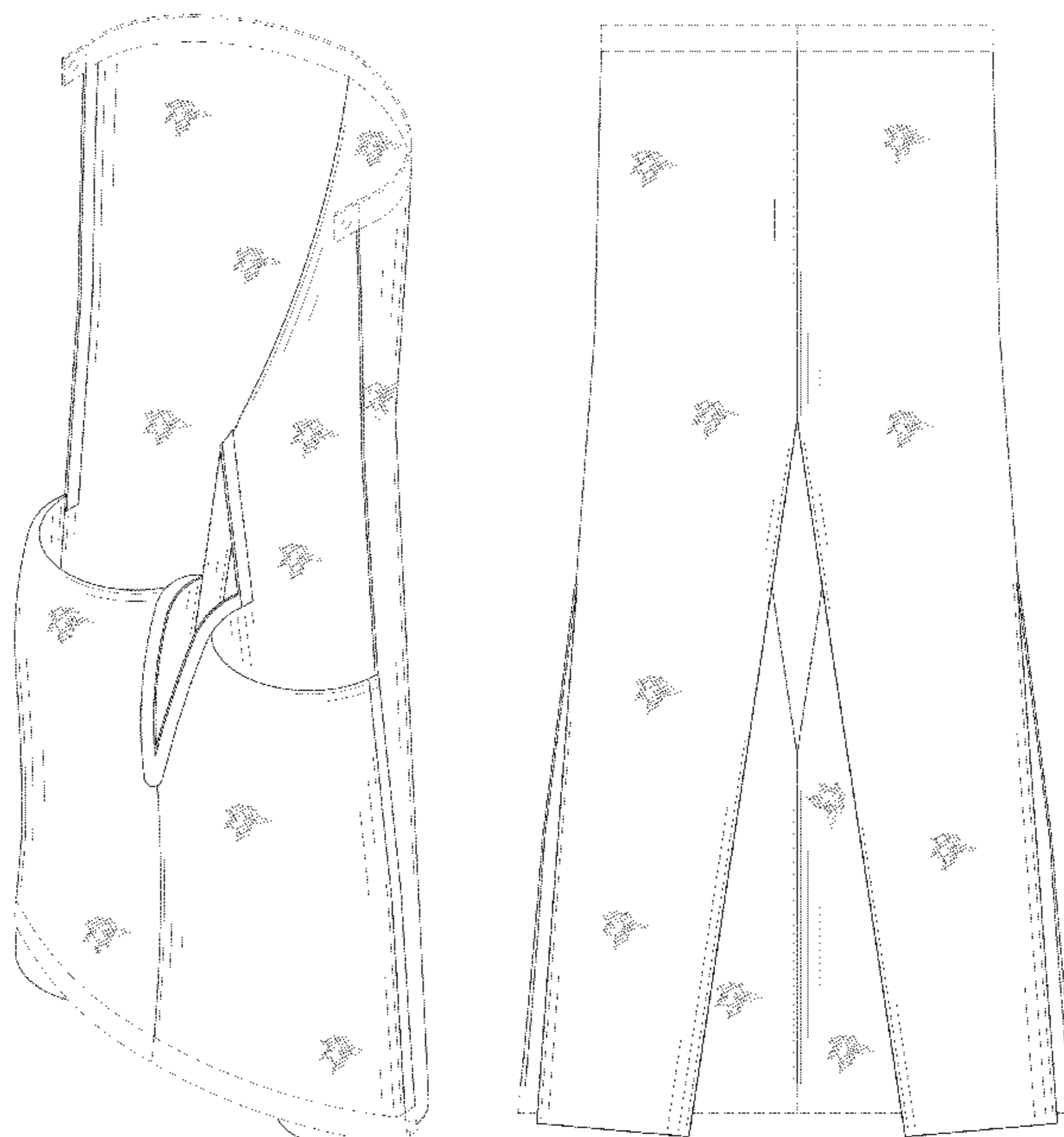
Primary Examiner — R. Johnson
Assistant Examiner — Lauren McVey
(74) *Attorney, Agent, or Firm* — Kilpatrick Townsend & Stockton LLP

(57) **CLAIM**
The ornamental design for pants, as shown and described.

DESCRIPTION

FIG. 1 is a perspective view of pants, showing my new design in an unfastened condition.
 FIG. 2 is a front view of the pants of FIG. 1.
 FIG. 3 is a right side view of the pants of FIG. 1, the left side view being a mirror image of the right side view.
 FIG. 4 is a rear view of the pants of FIG. 1.
 FIG. 5 is a top view of the pants of FIG. 1.
 FIG. 6 is a bottom view of the pants of FIG. 1.
 FIG. 7 is a perspective view of the pants of FIG. 1 in a fastened configuration.
 FIG. 8 is a front view of the pants of FIG. 7.
 FIG. 9 is a right side view of the pants of FIG. 7, the left side view being a mirror image of the right side view.
 FIG. 10 is a rear view of the pants of FIG. 7.
 FIG. 11 is a top view of the pants of FIG. 7; and,
 FIG. 12 is a bottom view of the pants of FIG. 7.
 The broken lines illustrate the portions of the pants, which form no part of the claimed design.
 The surface treatment consisting of broken hatched lines are understood to extend uniformly across the surfaces to which they are applied.

1 Claim, 10 Drawing Sheets



(56)

References Cited

OTHER PUBLICATIONS

Silvert's. <URL: <http://www.silverts.com/show.php/bigpic/90770-linen-look-open-side-pants-for-women-assisted-living>>. Aug. 24, 2013. Adaptive Pants "Linen Look Open Side".*

Cooper Martin Clothing Facebook. <URL: <https://www.facebook.com/pages/Cooper-Martin-Clothing/177174019222>>. Nov. 19, 2009. Adaptive Pants "Classic".*
EZ-GO Pants. <URL: <http://ezgopants.com/products/cargo-pants/>>. Nov. 5, 2012. Adaptive Pants "Cargo Pants".*

* cited by examiner



FIG. 1

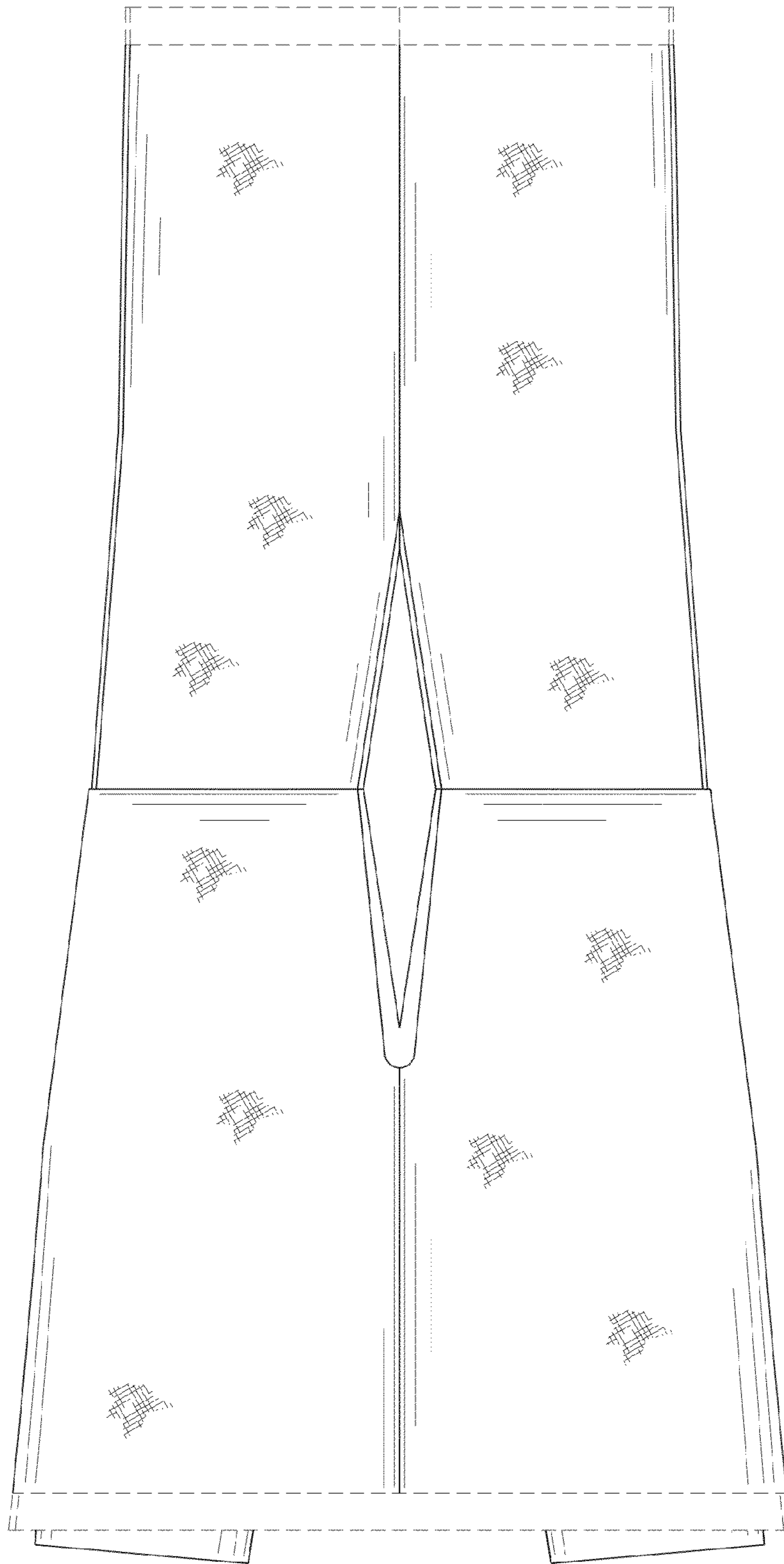


FIG. 2

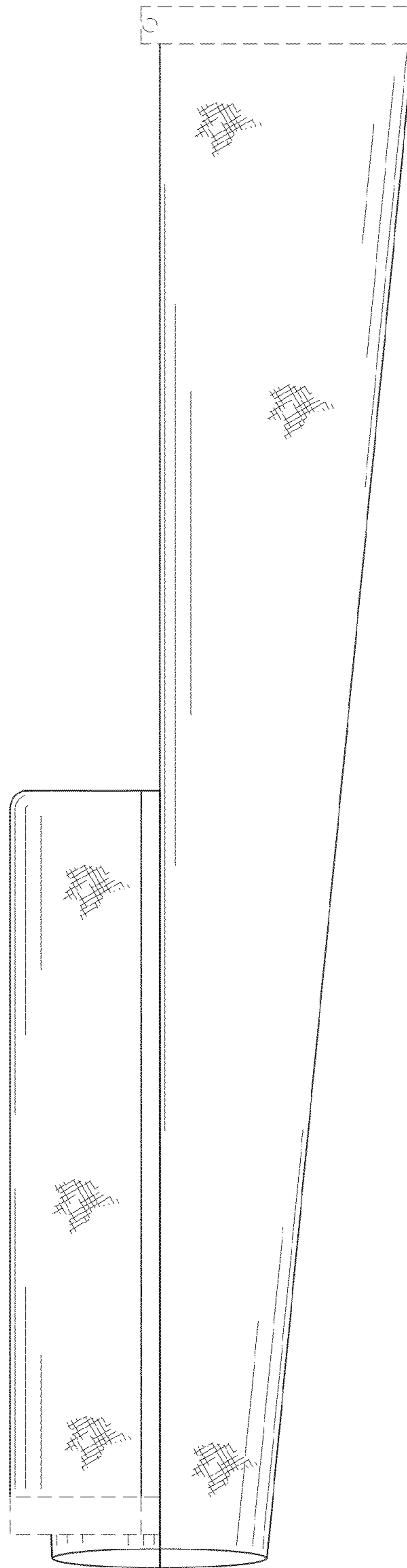


FIG. 3



FIG. 4

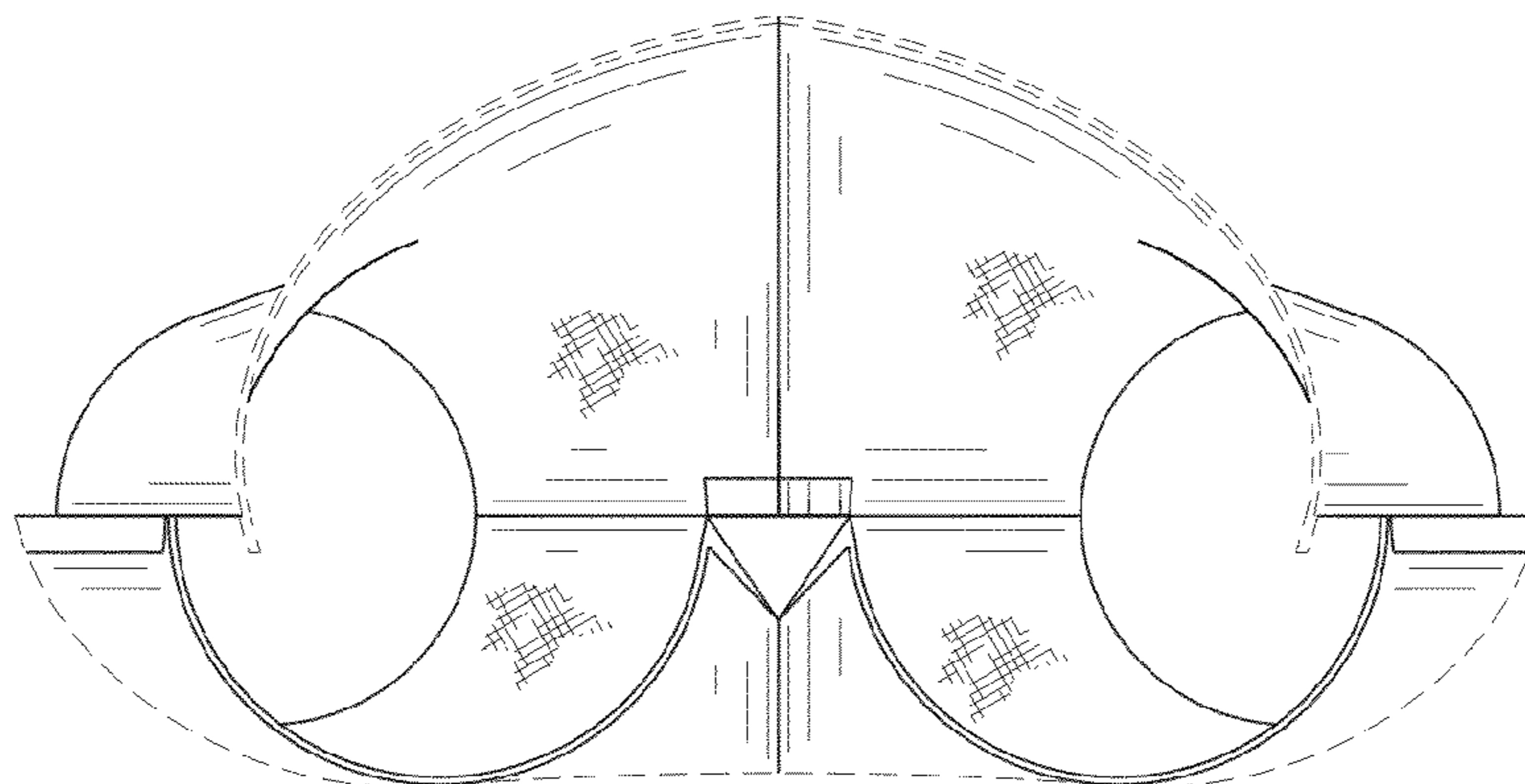


FIG. 5

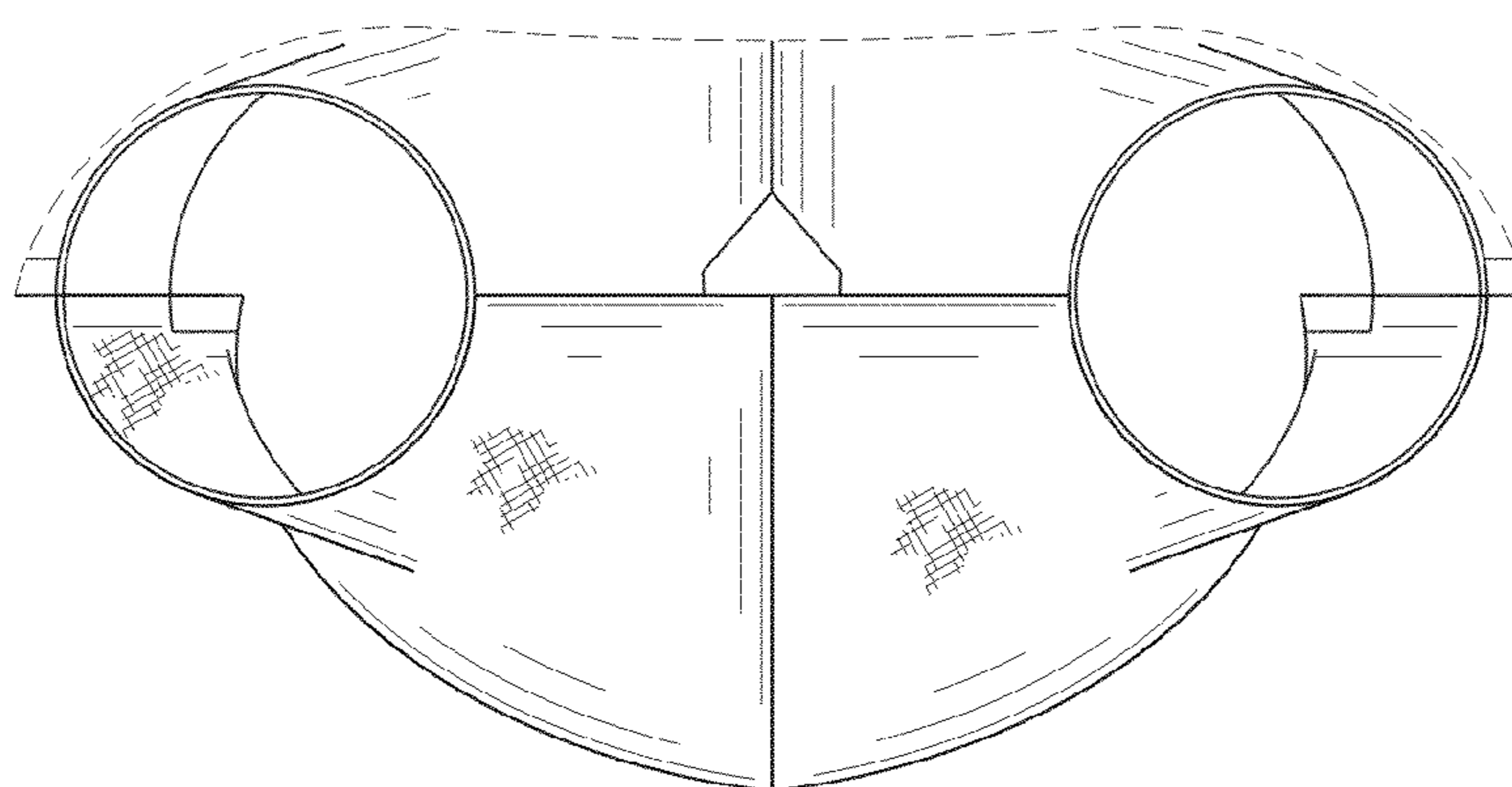


FIG. 6

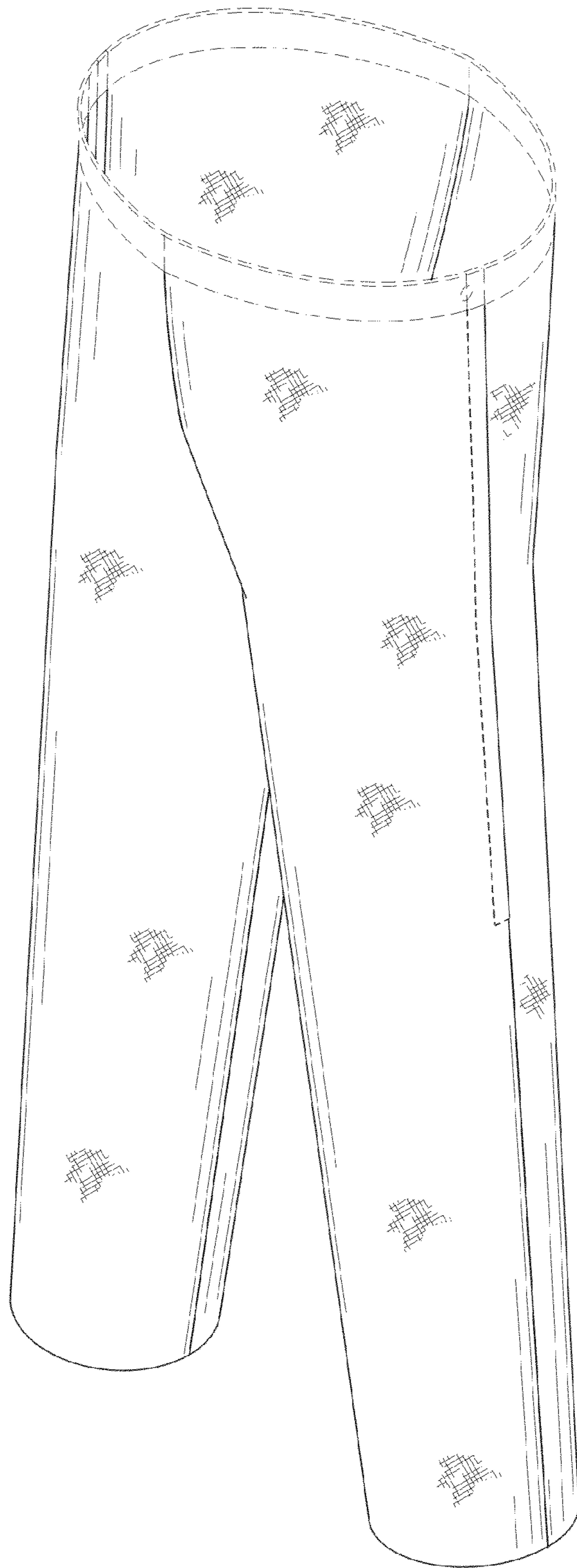


FIG. 7

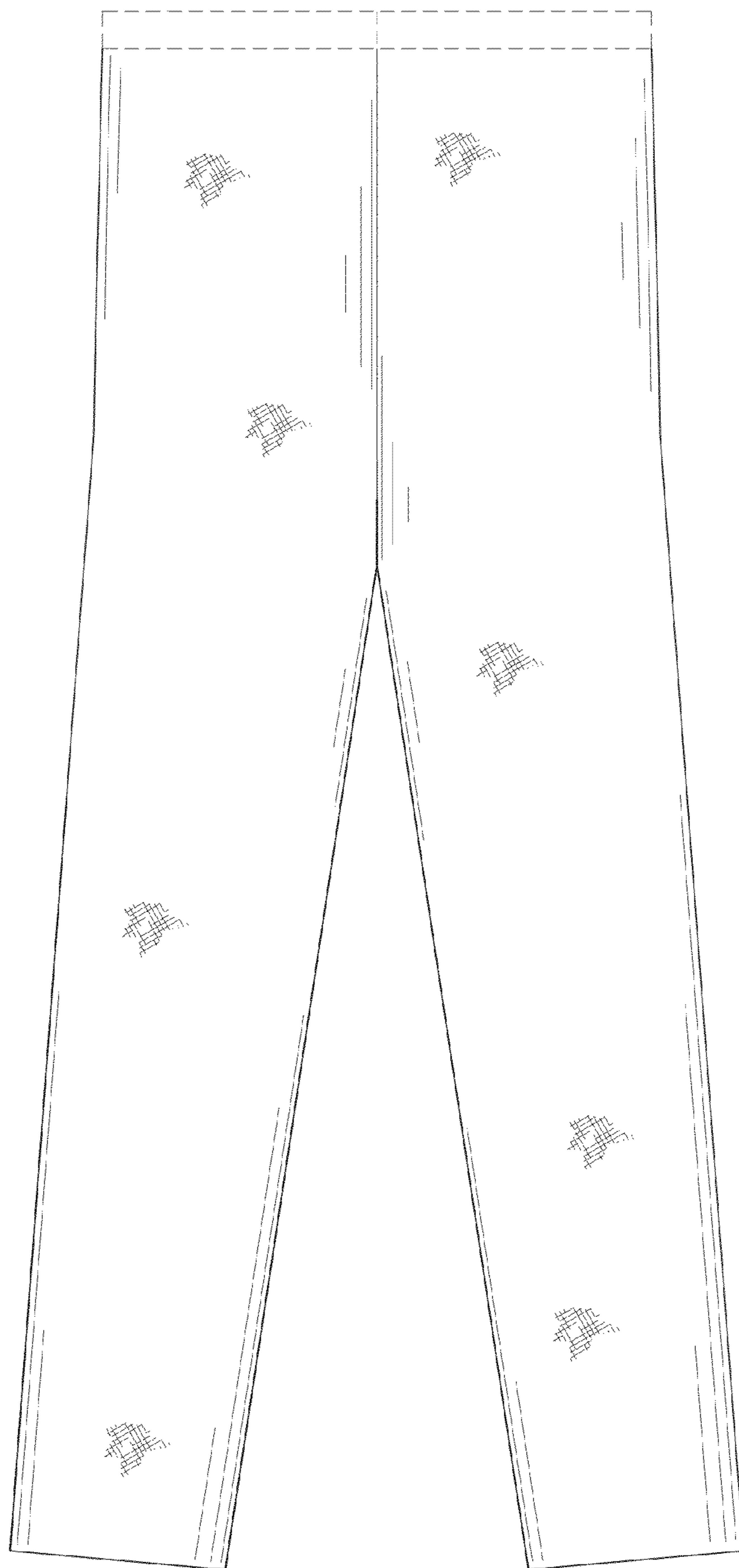


FIG. 8

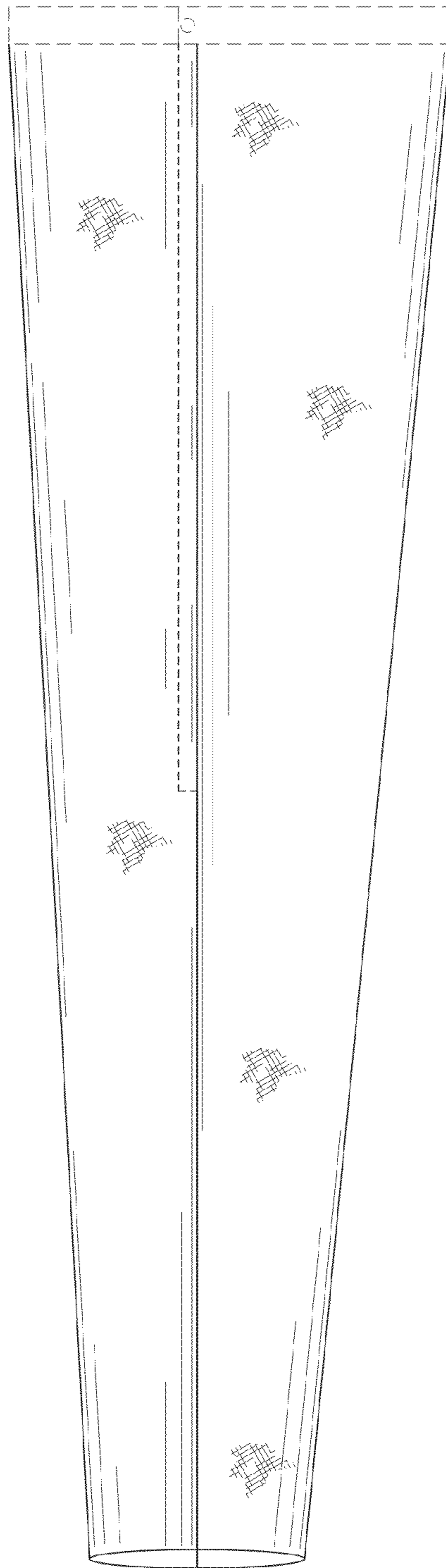


FIG. 9

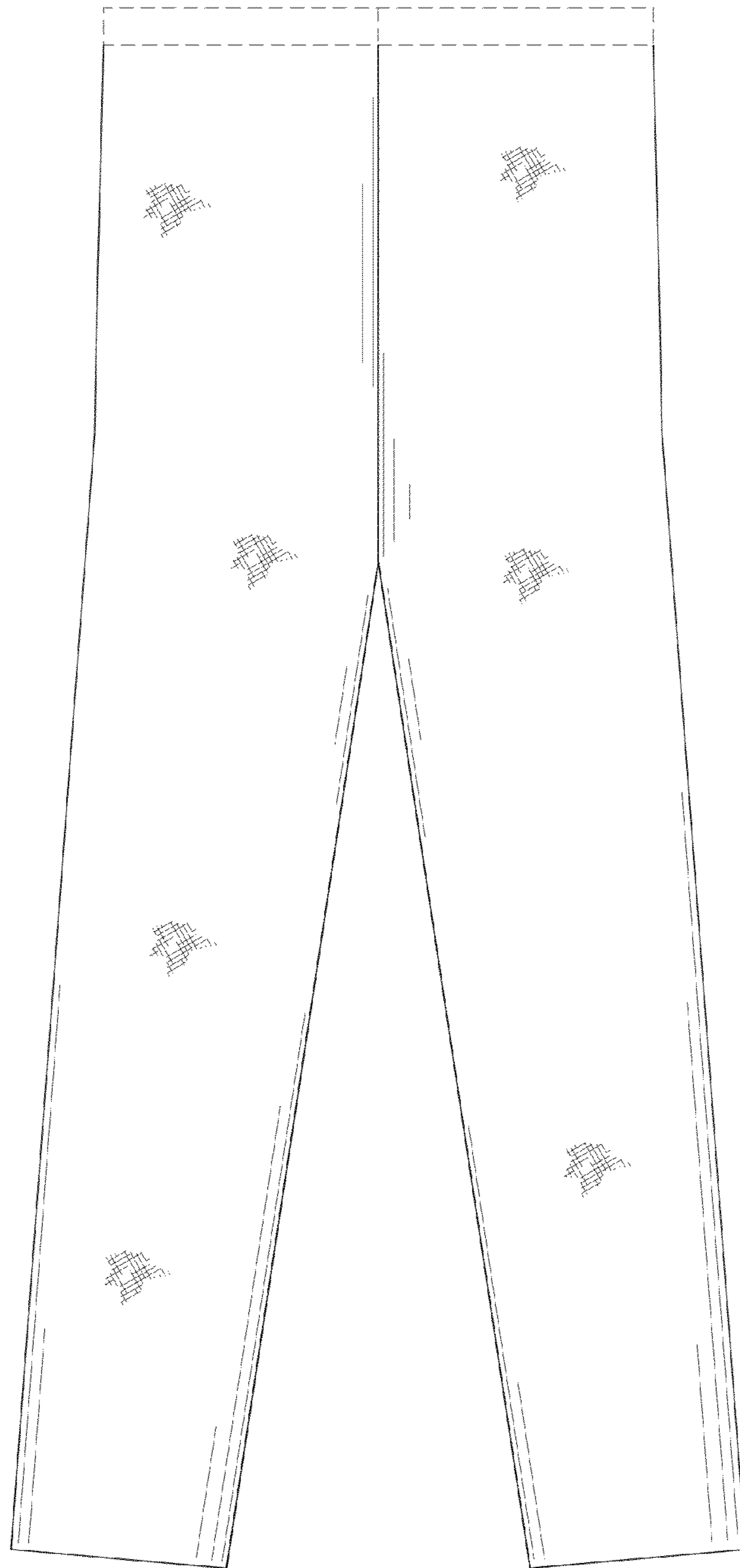


FIG. 10

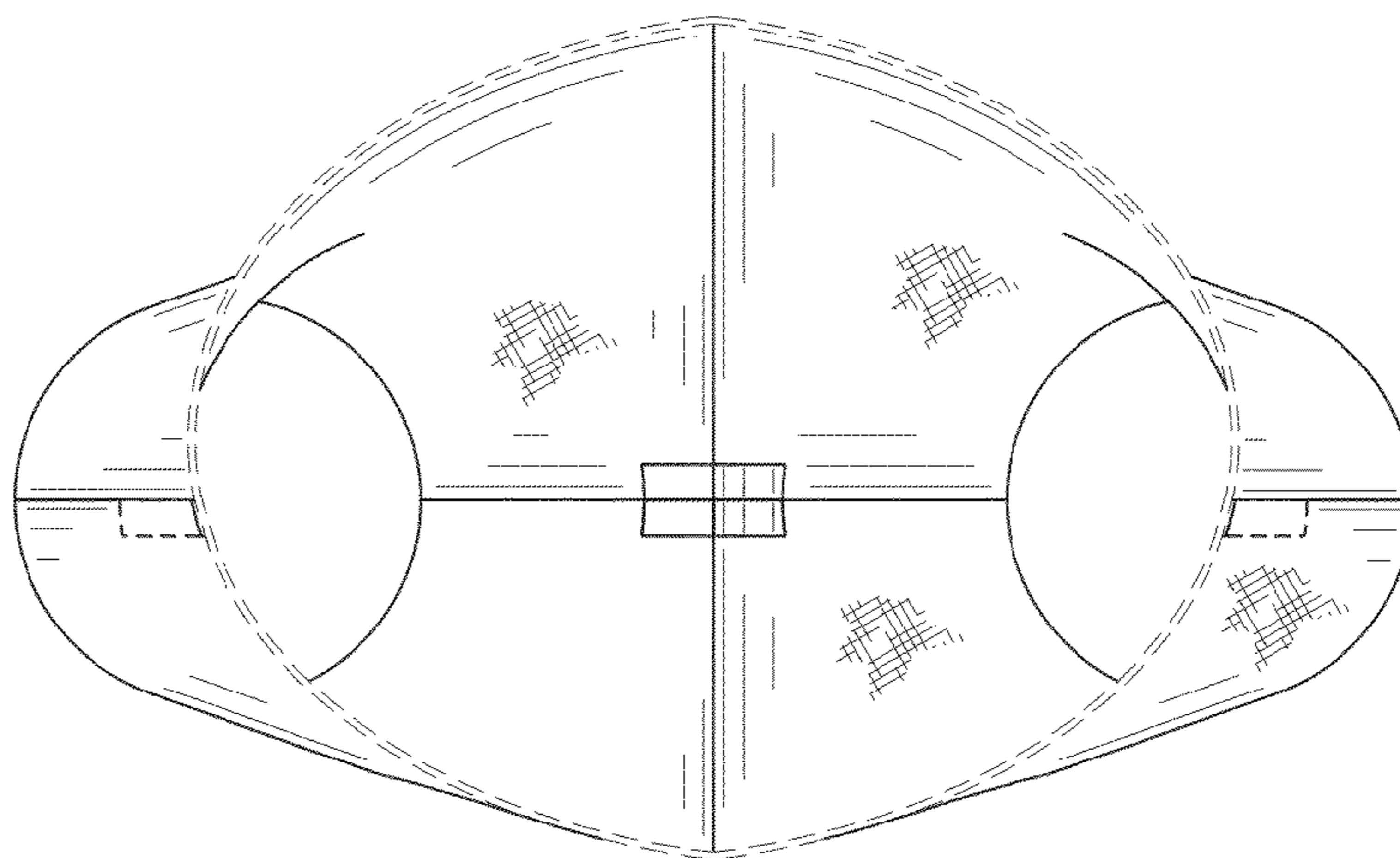


FIG. 11

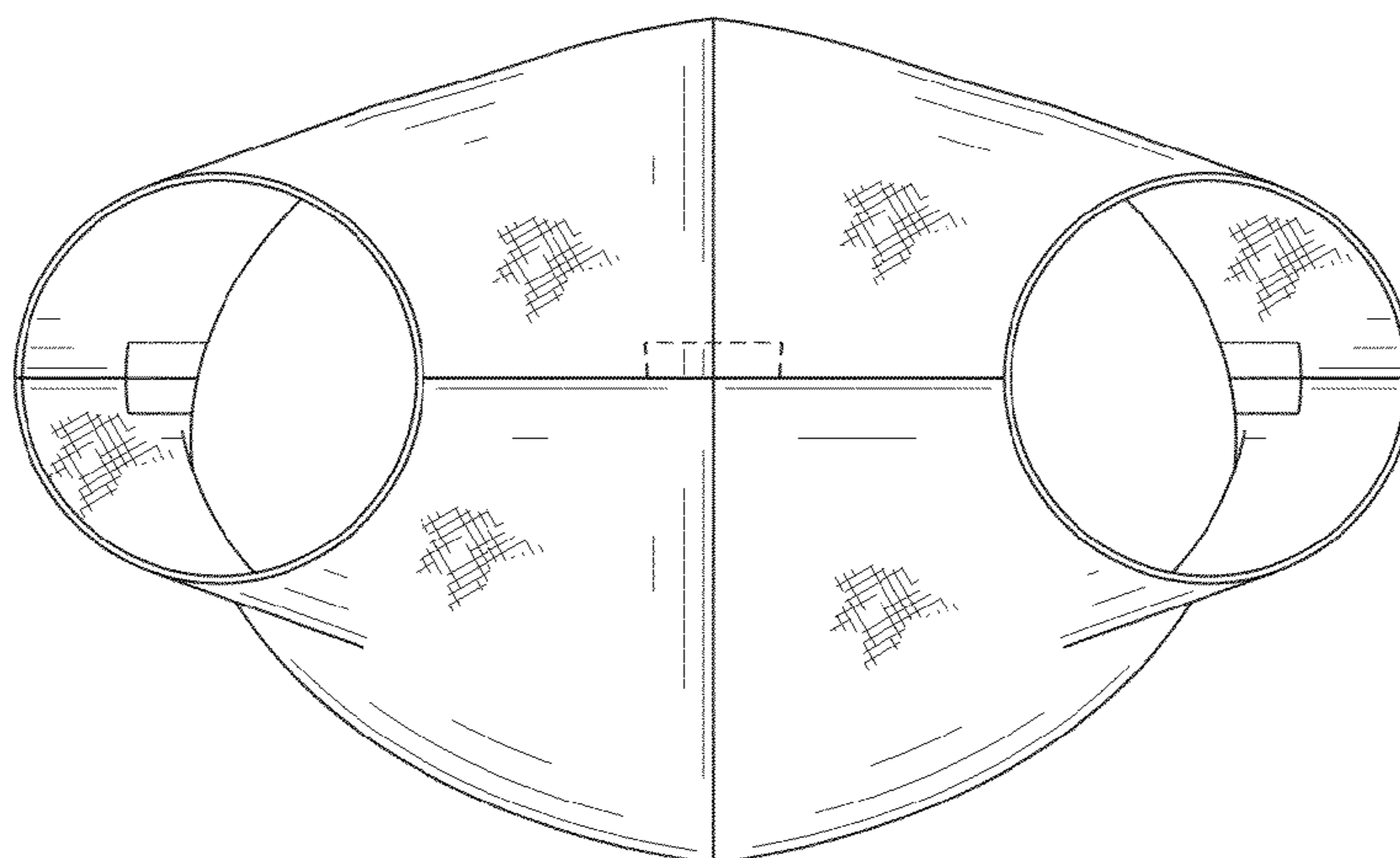


FIG. 12