



US00D721468S

(12) **United States Design Patent**
Dye

(10) **Patent No.:** **US D721,468 S**
(45) **Date of Patent:** **** Jan. 27, 2015**

(54) **PANTS**

(71) Applicant: **Molly Dye**, Atlanta, GA (US)
(72) Inventor: **Molly Dye**, Atlanta, GA (US)
(73) Assignee: **MDF Designs, LLC**, Atlanta, GA (US)
(**) Term: **14 Years**
(21) Appl. No.: **29/442,015**

(22) Filed: **Nov. 13, 2012**

(51) **LOC (10) Cl.** **02-02**

(52) **U.S. Cl.**
USPC **D2/742**

(58) **Field of Classification Search**

CPC ... A41D 15/04; A41D 27/20; A41D 2400/44;
A41D 2400/70; A41D 2600/108
USPC 2/22, 23, 71, 72, 79, 87, 94, 95, 227,
2/228, 238, 242, 247, 900, 912, 911;
D2/712, 731, 738, 742, 743, 748, 857,
D2/862, 901, 999

See application file for complete search history.

(56) **References Cited**

U.S. PATENT DOCUMENTS

4,258,440 A * 3/1981 McGowan 2/114
4,914,756 A * 4/1990 Grassick 2/227
5,033,125 A * 7/1991 de la Villefromoy et al. 2/237
5,191,659 A * 3/1993 Backus 2/227
5,802,611 A * 9/1998 McKenzie et al. 2/69
D483,172 S * 12/2003 Edwards et al. D2/743

(Continued)

FOREIGN PATENT DOCUMENTS

DE 2558745 A1 * 7/1977
WO 0172258 A2 * 10/2001

OTHER PUBLICATIONS

YouTube. <URL: <https://www.youtube.com/watch?v=ZvDVxtJMsU>>. Aug. 7, 2013. Guide "CareZips".*

(Continued)

Primary Examiner — Rashida Johnson

Assistant Examiner — Lauren McVey

(74) *Attorney, Agent, or Firm* — Kilpatrick Townsend & Stockton LLP

(57) **CLAIM**

The ornamental design for pants, as shown and described.

DESCRIPTION

FIG. 1 is a perspective view of pants, showing my new design in an unfastened condition.

FIG. 2 is a front view of the pants of FIG. 1.

FIG. 3 is a right side view of the pants of FIG. 1, the left side view being a mirror image of the right side view.

FIG. 4 is a rear view of the pants of FIG. 1.

FIG. 5 is a top view of the pants of FIG. 1.

FIG. 6 is a bottom view of the pants of FIG. 1.

FIG. 7 is a perspective view of the pants of FIG. 1 in a fastened configuration.

FIG. 8 is a front view of the pants of FIG. 7.

FIG. 9 is a right side view of the pants of FIG. 7, the left side view being a mirror image of the right side view.

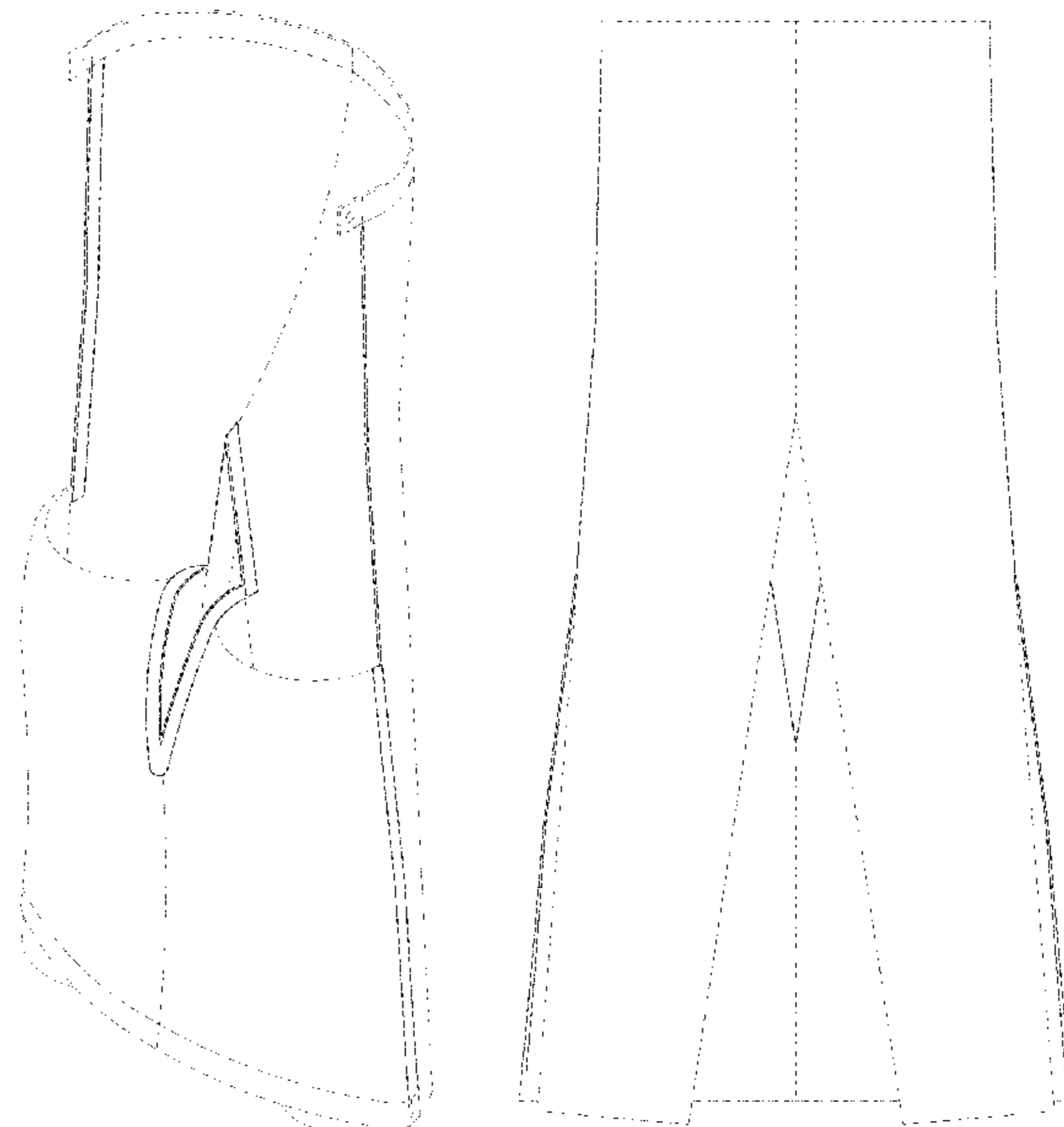
FIG. 10 is a rear view of the pants of FIG. 7.

FIG. 11 is a top view of the pants of FIG. 7; and,

FIG. 12 is a bottom view of the pants of FIG. 7.

The broken lines illustrate the portions of the pants, which form no part of the claimed design.

1 Claim, 10 Drawing Sheets



(56)

References Cited

U.S. PATENT DOCUMENTS

D622,935 S * 9/2010 Jackson et al. D2/742
7,966,672 B1 * 6/2011 Hagerman et al. 2/227
2006/0021115 A1 * 2/2006 Stanley 2/400

OTHER PUBLICATIONS

Silvert's. <URL: <http://www.silverts.com/show.php/bigpic/90770-linen-look-open-side-pants-for-women-assisted-living>>. Aug. 24, 2013. Adaptive Pants "Linen Look Open Side".*

Cooper Martin Clothing Facebook. <URL: <https://www.facebook.com/pages/Cooper-Martin-Clothing/177174019222>>. Nov. 19, 2009. Adaptive Pants "Classic".*

EZ-GO Pants. <URL: <http://ezgopants.com/products/cargo-pants/>>. Nov. 5, 2012. Adaptive Pants "Cargo Pants".*

* cited by examiner

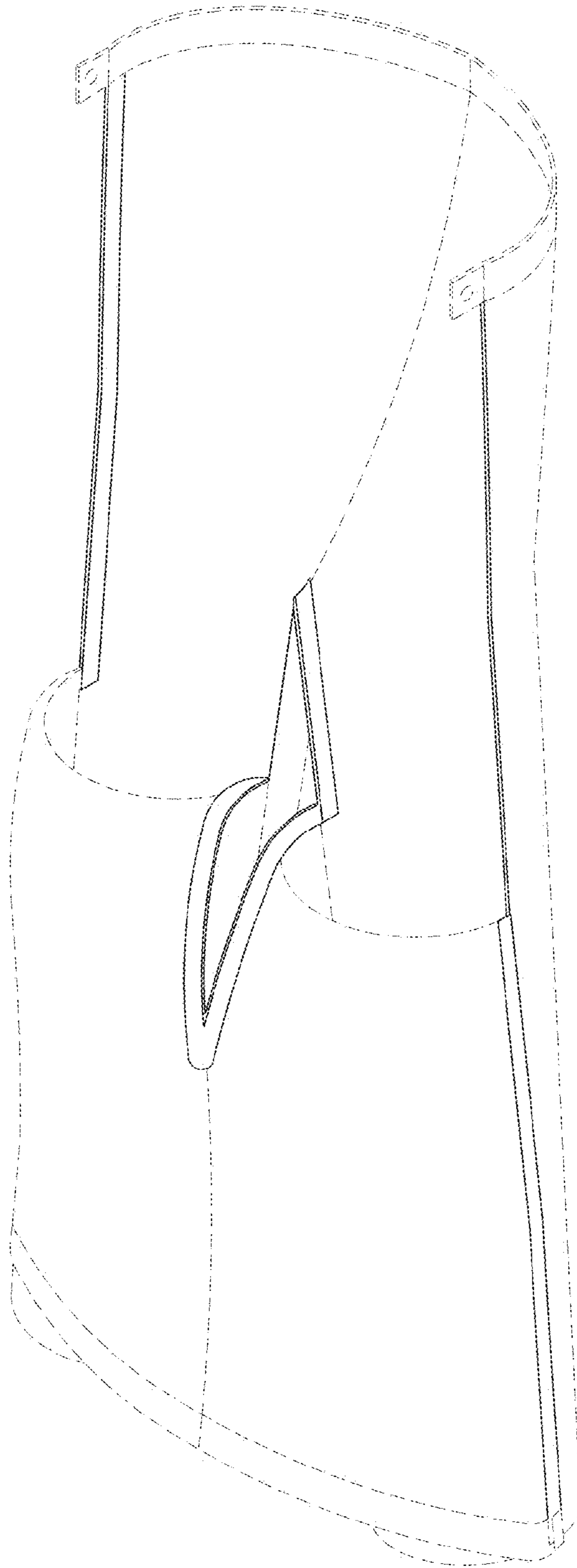


FIG. 1

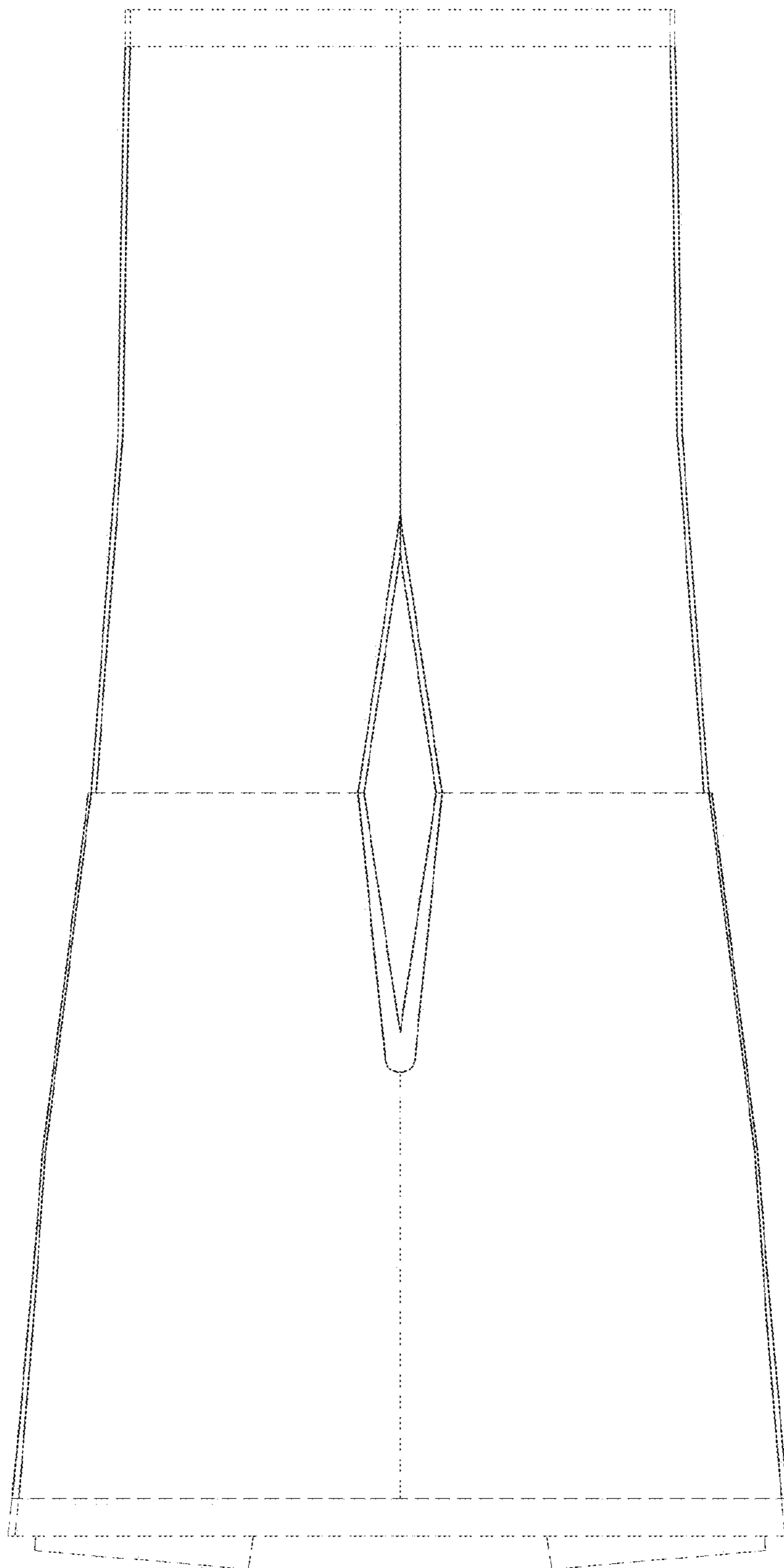


FIG. 2

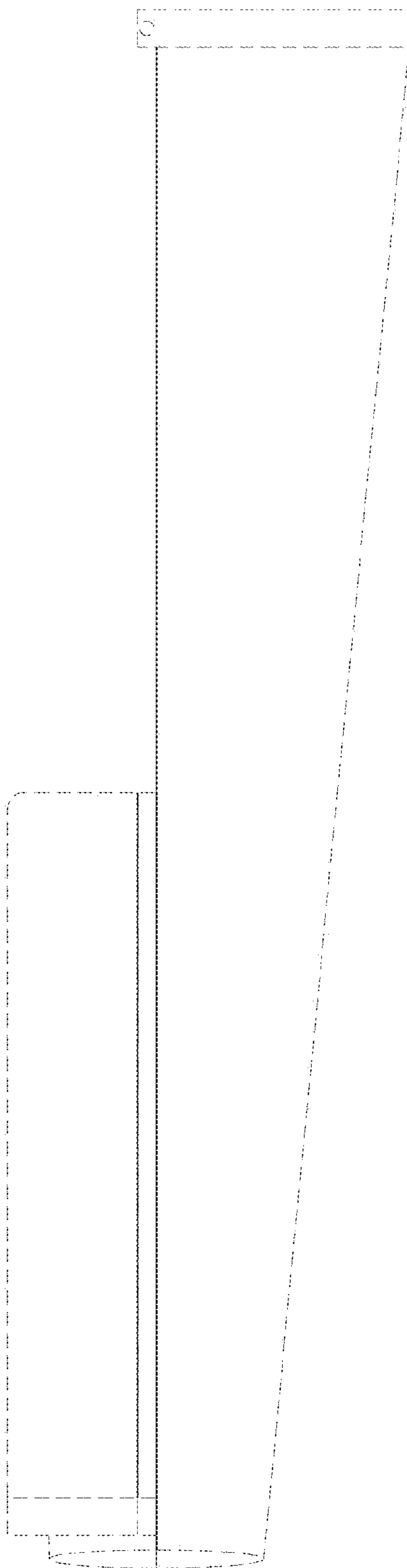


FIG. 3

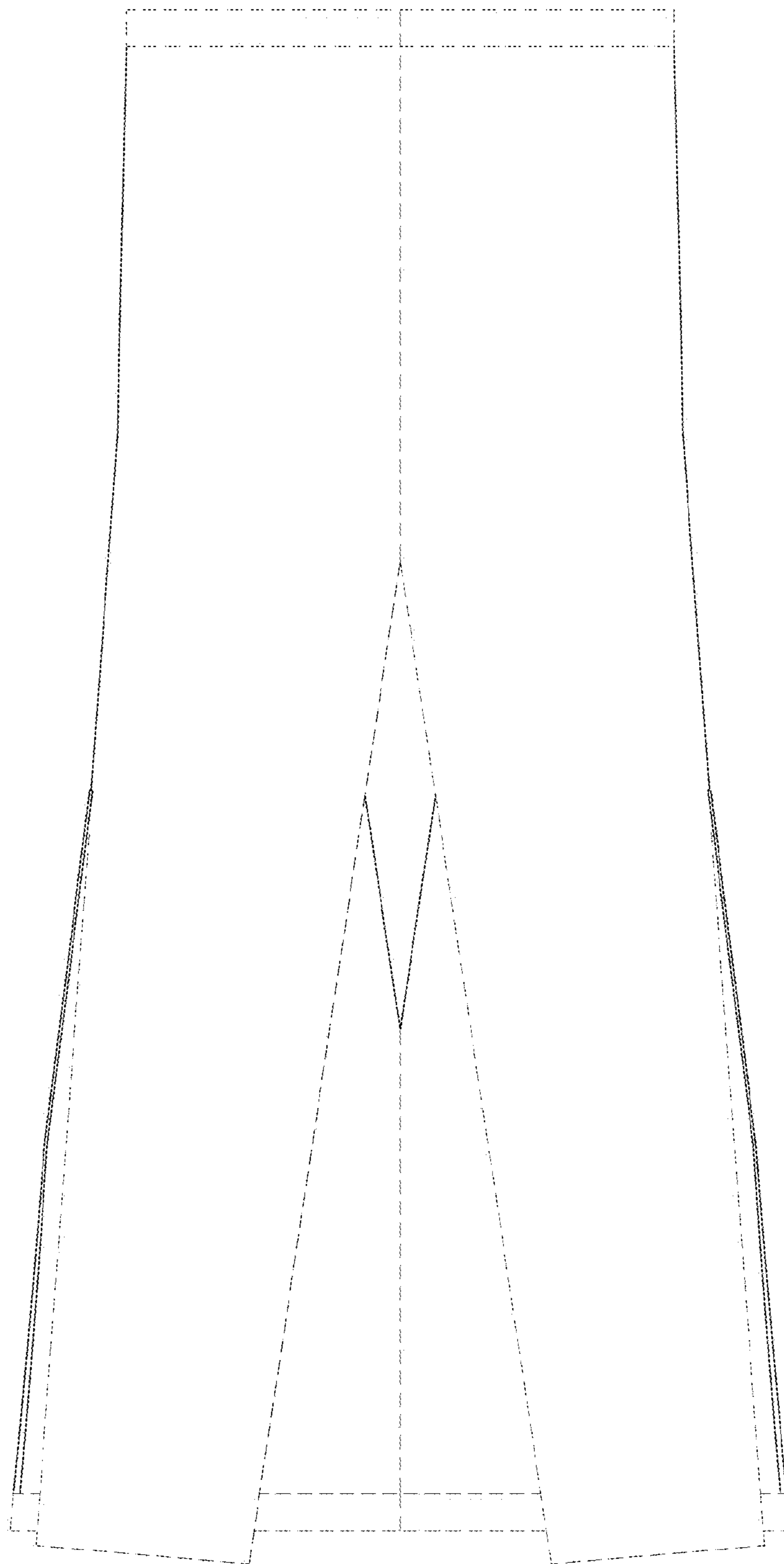


FIG. 4

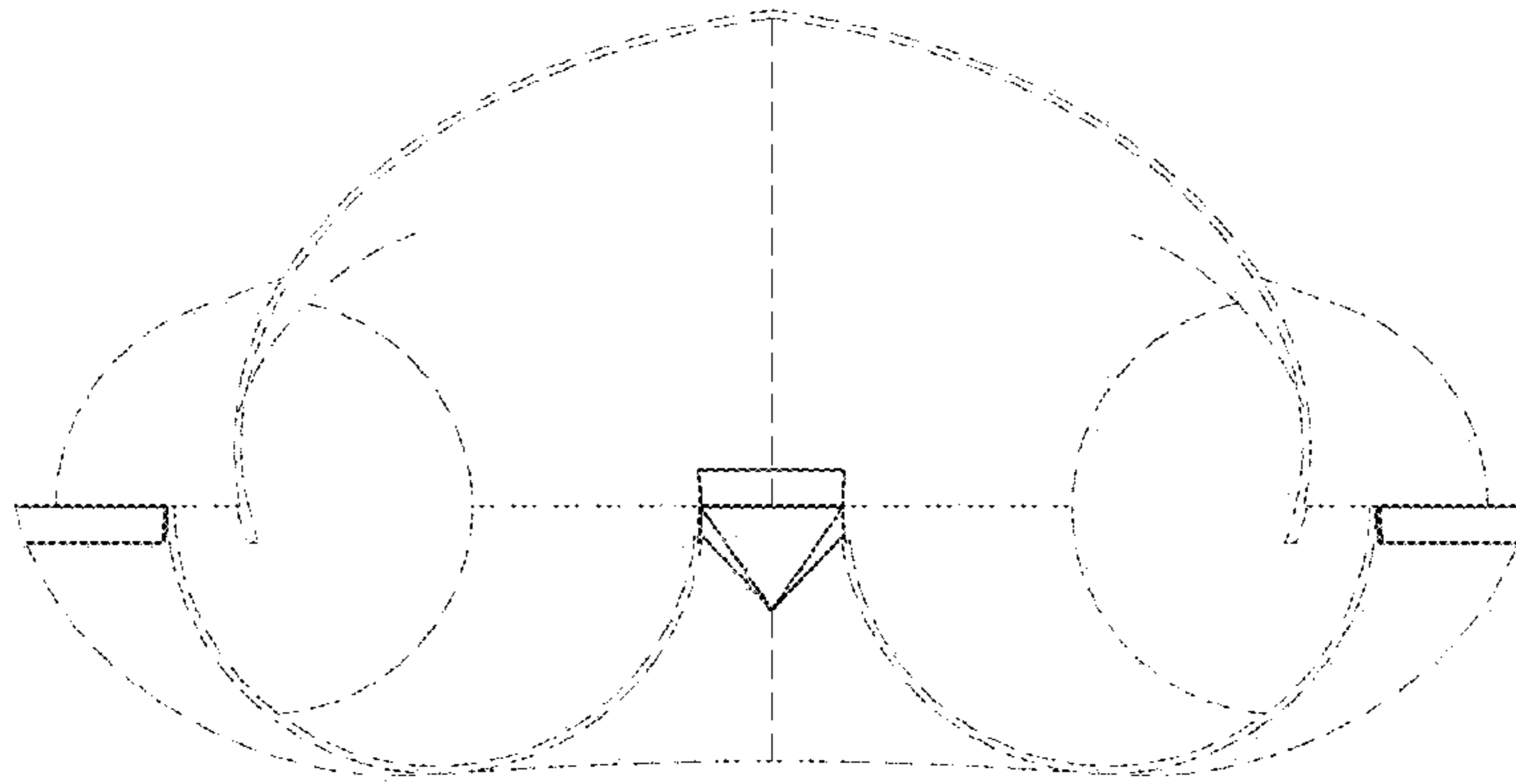


FIG. 5

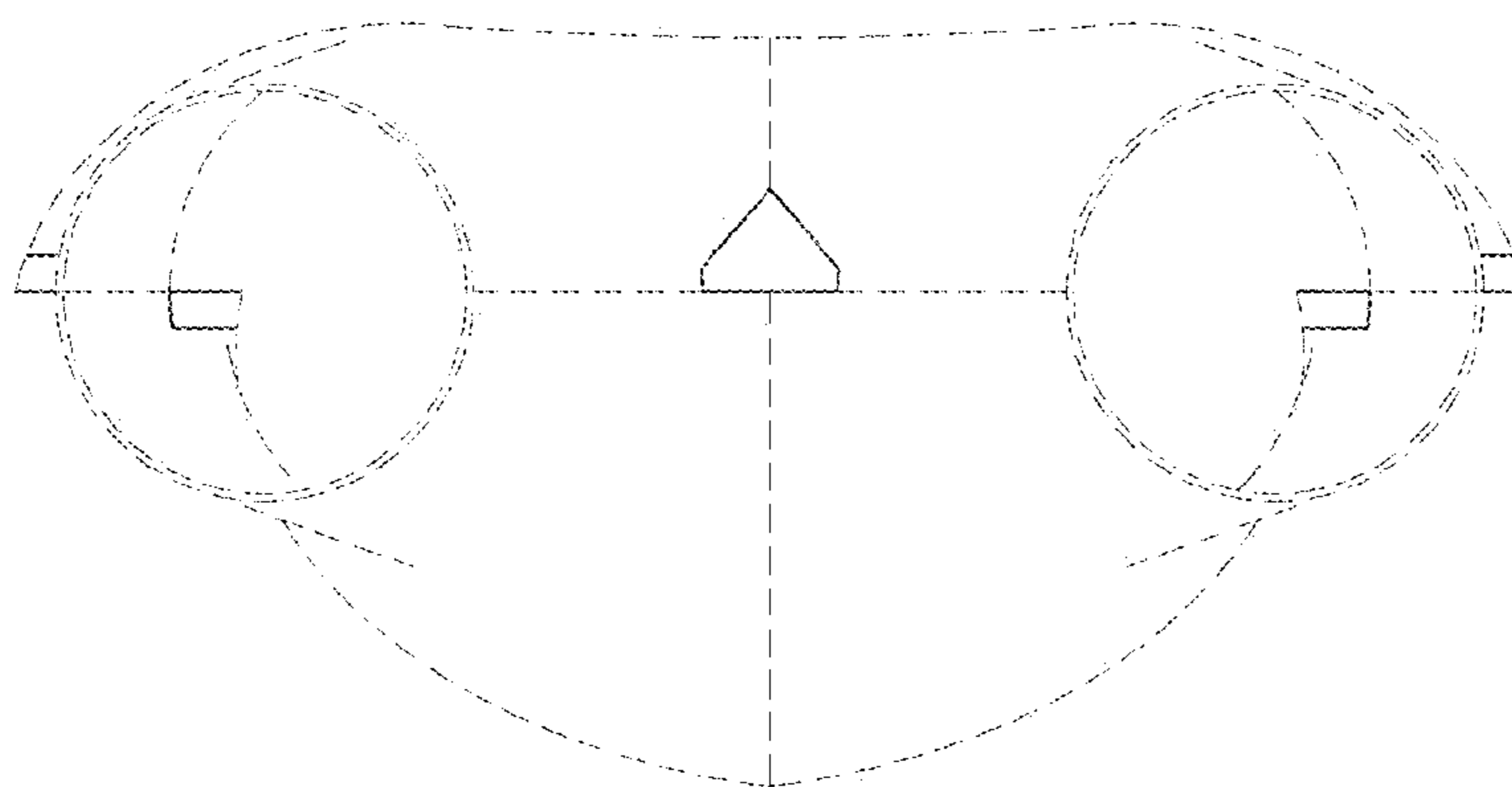


FIG. 6

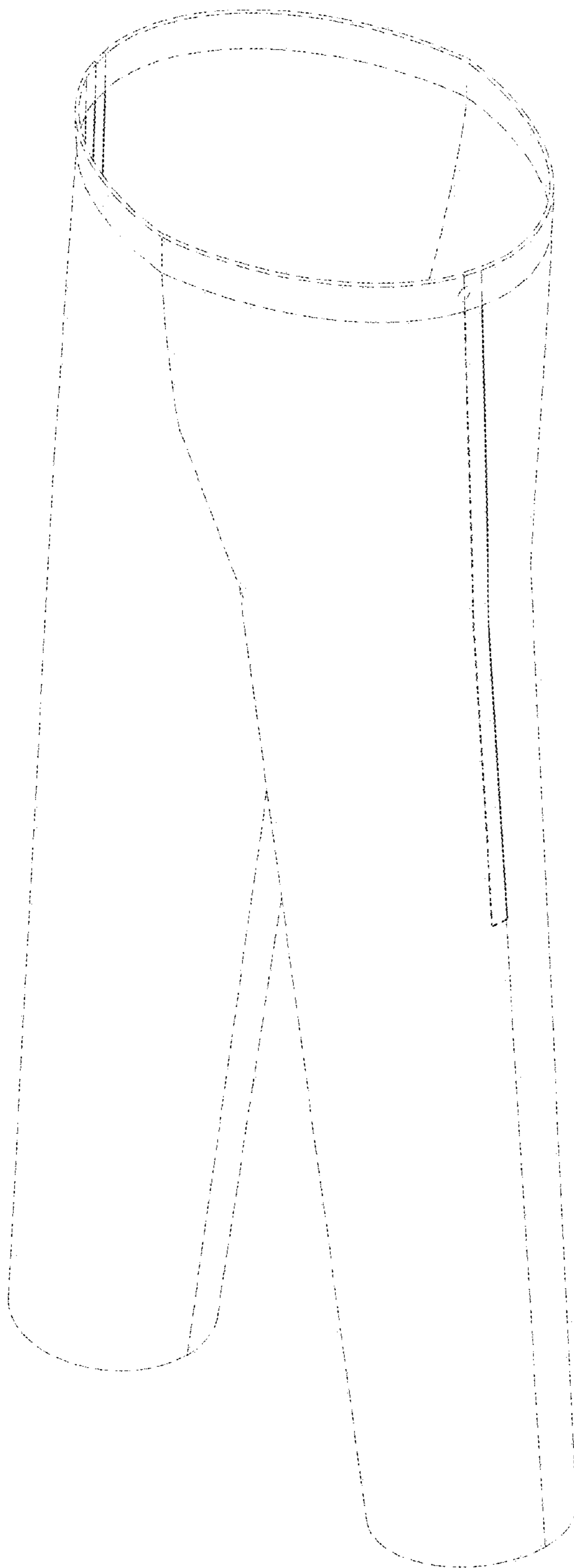


FIG. 7

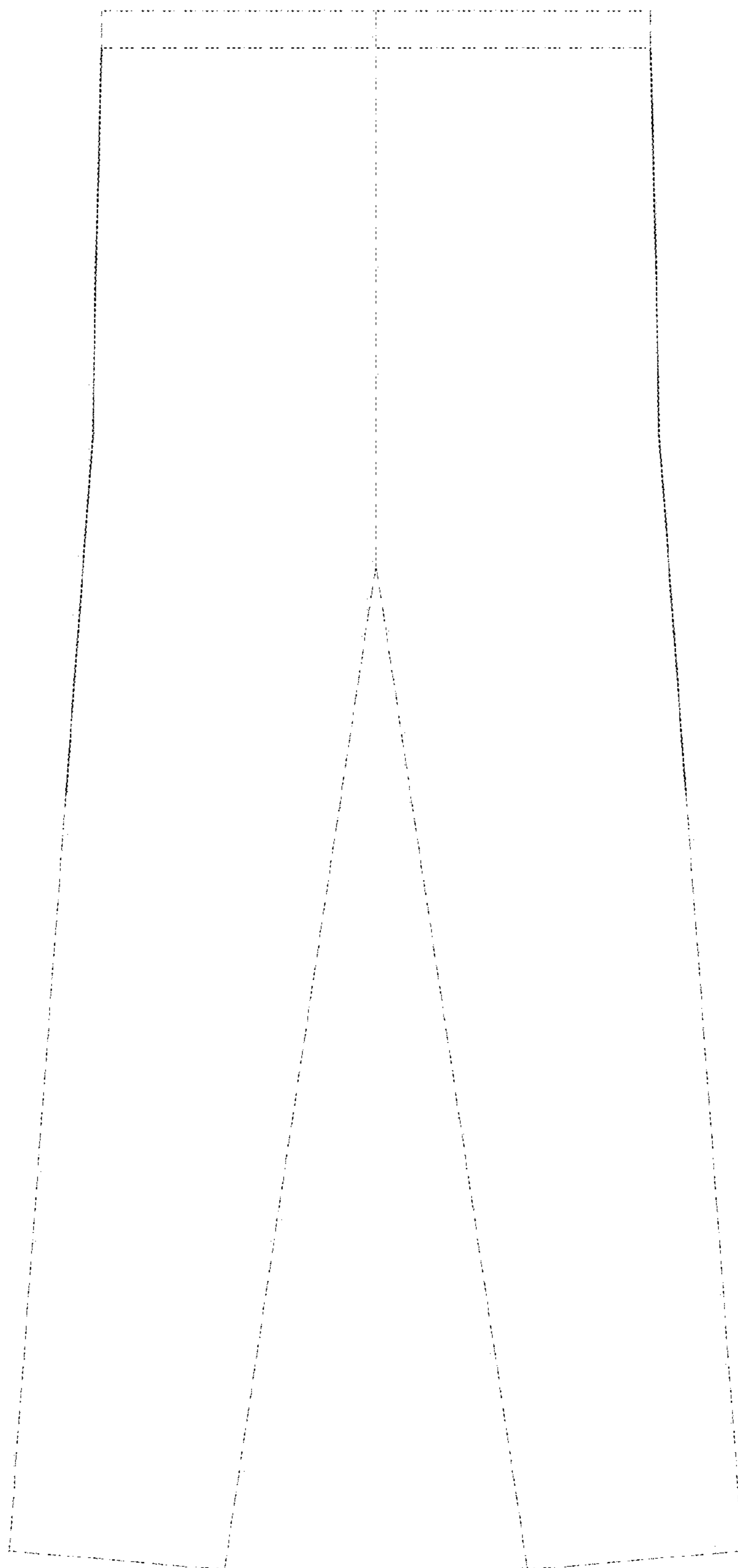


FIG. 8

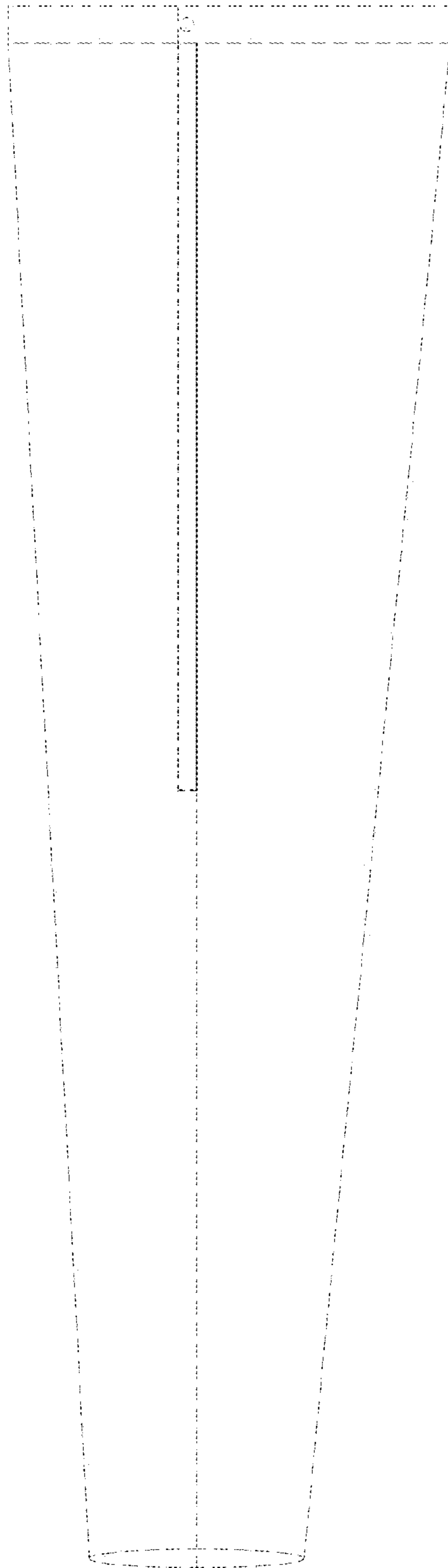


FIG. 9

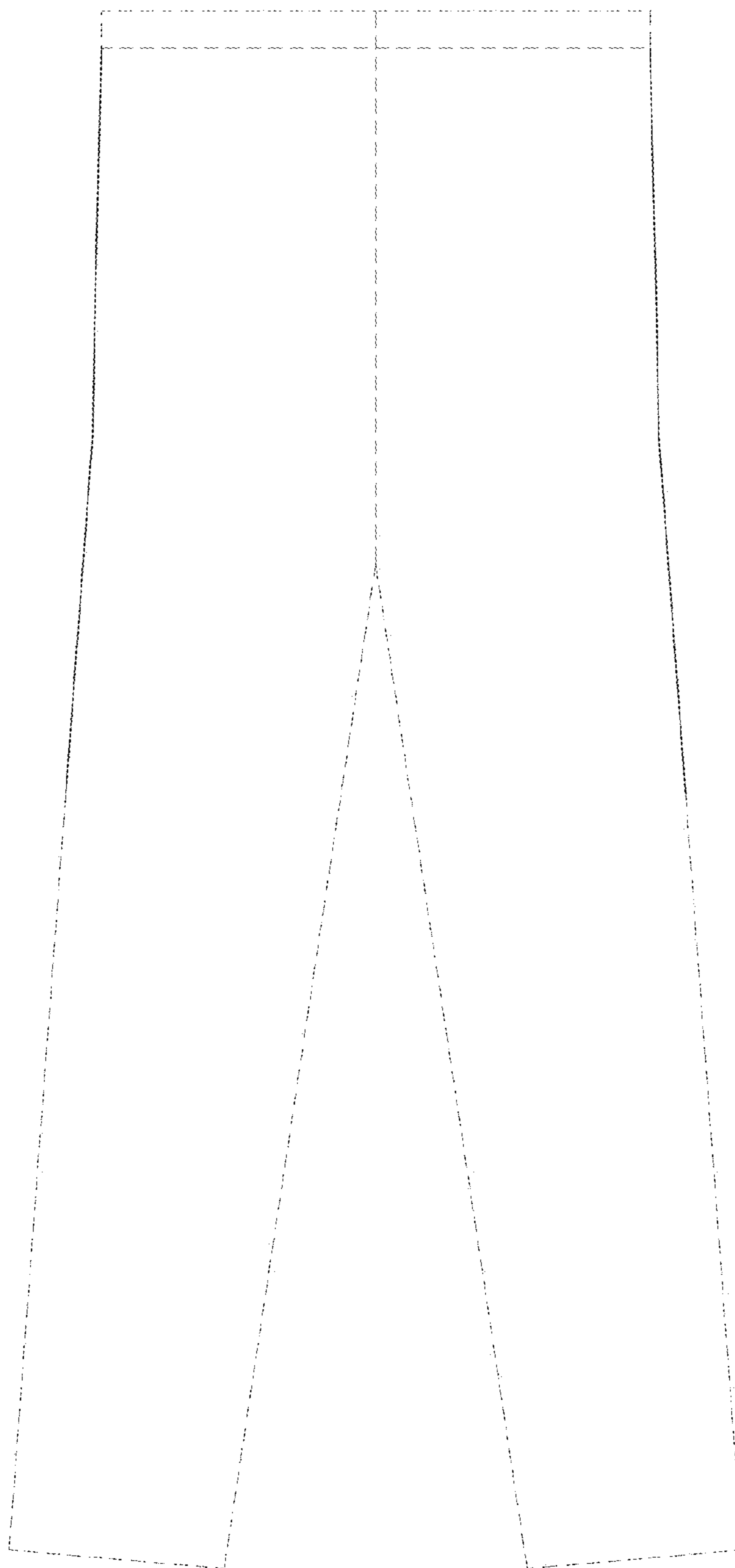


FIG. 10

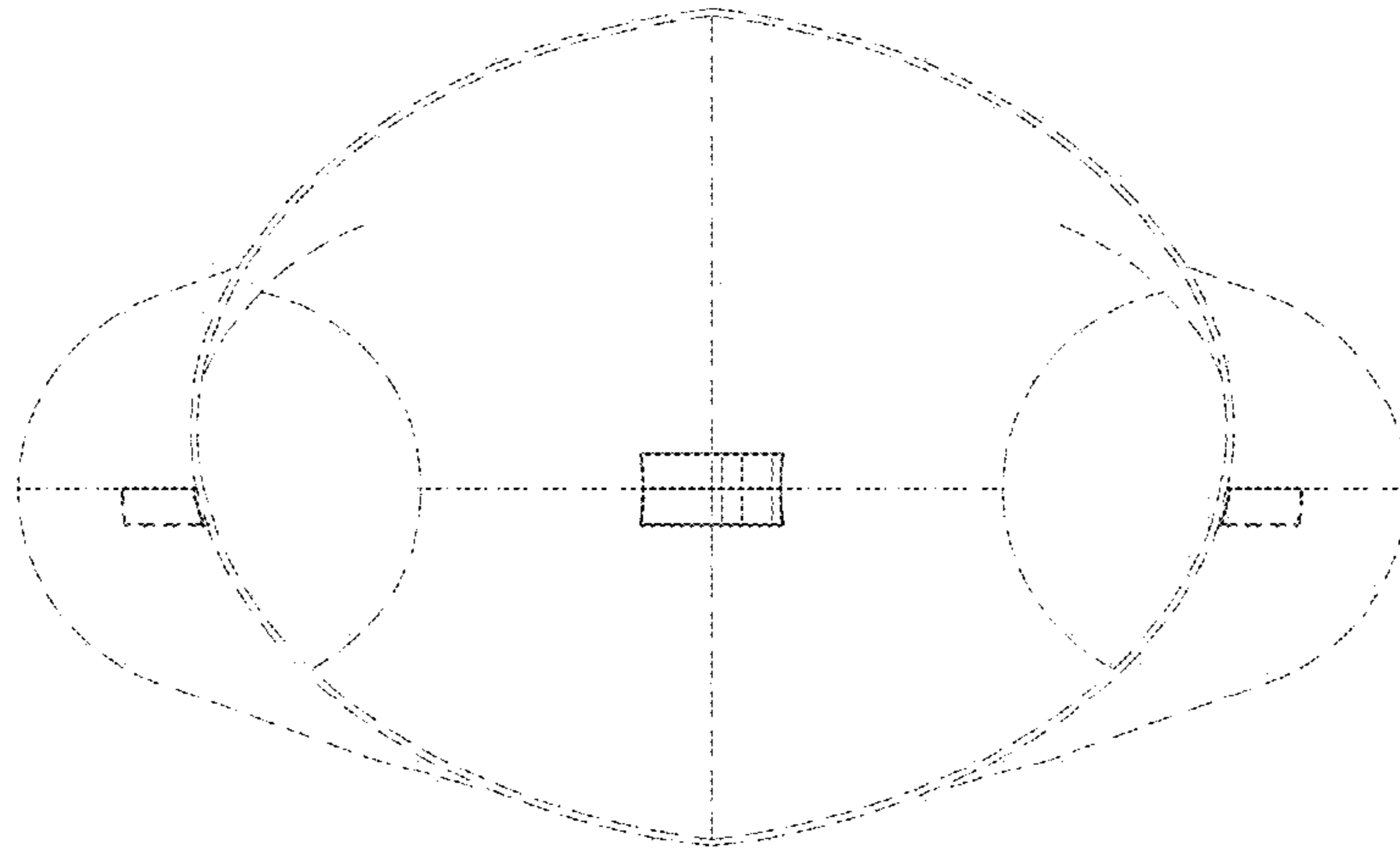


FIG. 11

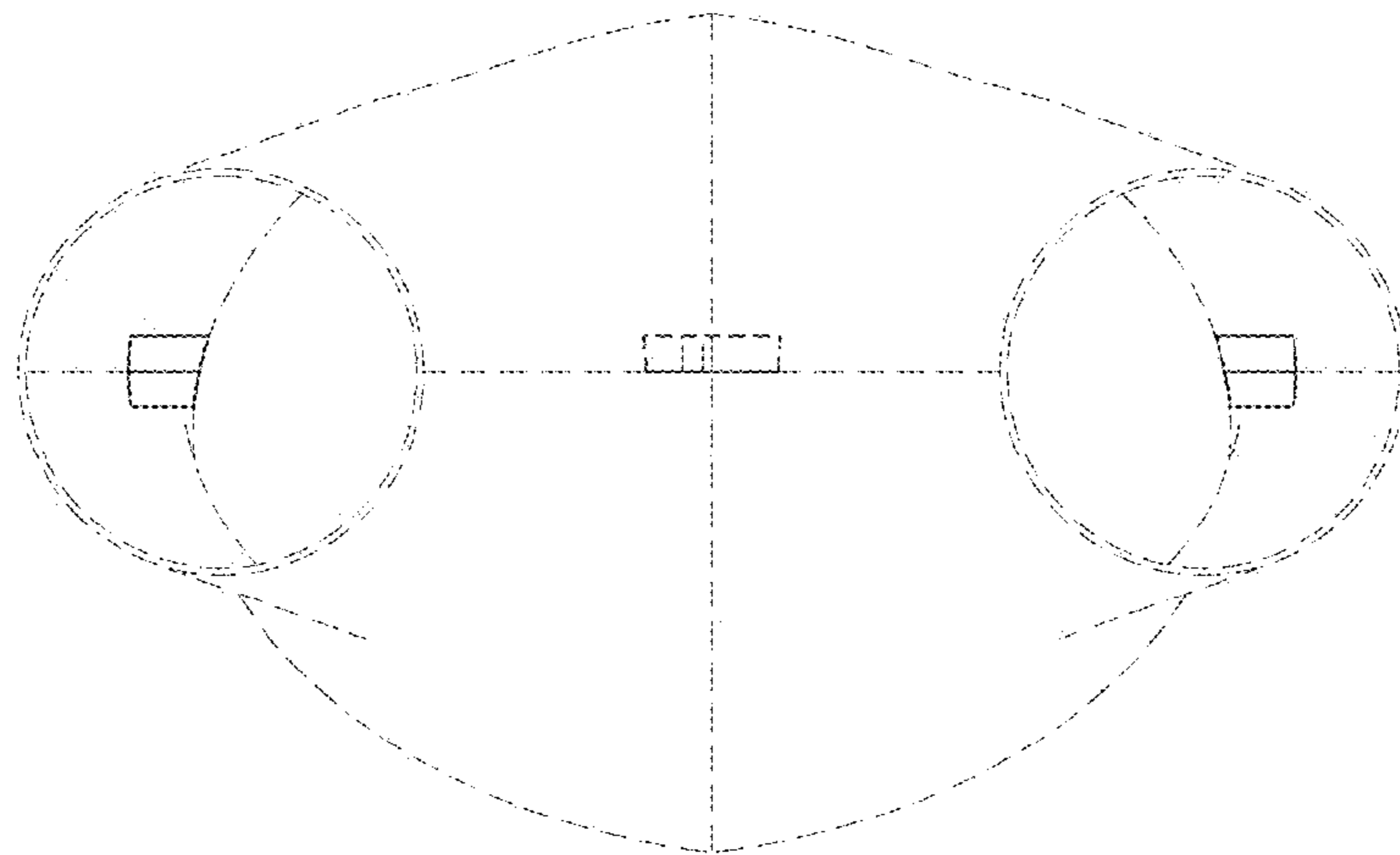


FIG. 12