



US00D721467S

(12) **United States Design Patent**  
**Tref**

(10) **Patent No.:** **US D721,467 S**  
(45) **Date of Patent:** **\*\* Jan. 27, 2015**

(54) **ROBE**  
(71) Applicant: **Fabien Tref**, Naples, FL (US)  
(72) Inventor: **Fabien Tref**, Naples, FL (US)  
(\*\*) Term: **14 Years**  
(21) Appl. No.: **29/491,337**

2010/0313323 A1 12/2010 Tennelle  
2011/0126339 A1 6/2011 Auer  
2013/0042383 A1 2/2013 Ryan

FOREIGN PATENT DOCUMENTS

CN 202407107 9/2012  
CN 103040153 4/2013  
FR 2904195 A1 \* 2/2008 ..... A41D 3/08

OTHER PUBLICATIONS

[http://www.amazon.com/Dreams-Company-Womens-Hooded-Heather/dp/B005GPS7IG/ref=sr\\_1\\_4?ie=UTF8&qid=1400265453&sr=8-4](http://www.amazon.com/Dreams-Company-Womens-Hooded-Heather/dp/B005GPS7IG/ref=sr_1_4?ie=UTF8&qid=1400265453&sr=8-4)  
&keywords=hooded+robe+with+zipper; May 16, 2014, Amazon.com.  
[http://www.amazon.com/Dreams-Company-Ultra-Soft-Fleece-Hoodie/dp/B00EFZ3R5Q/ref=sr\\_1\\_5?ie=UTF8&qid=1400265453&sr=8-5](http://www.amazon.com/Dreams-Company-Ultra-Soft-Fleece-Hoodie/dp/B00EFZ3R5Q/ref=sr_1_5?ie=UTF8&qid=1400265453&sr=8-5)  
&keywords=hooded+robe+with+zipper: May 16, 2014, Amazon.com.

(22) Filed: **May 20, 2014**  
(51) **LOC (10) Cl.** ..... **02-02**  
(52) **U.S. Cl.**  
USPC ..... **D2/724**  
(58) **Field of Classification Search**  
USPC ..... D2/724, 727, 749, 750, 800, 812; 2/69, 2/83, 84, 114  
See application file for complete search history.

(56) **References Cited**

U.S. PATENT DOCUMENTS

1,993,149 A 3/1935 Desmond  
2,102,251 A 12/1937 Arst  
2,374,643 A \* 5/1945 Boettcher ..... 2/114  
2,513,074 A 6/1950 Wolfe  
2,682,056 A 6/1954 Weber  
2,999,244 A 9/1961 Wright  
3,369,256 A \* 2/1968 Kern ..... 2/114  
3,736,595 A \* 6/1973 Siegmann ..... 2/457  
D246,746 S 12/1977 Dyer  
4,103,377 A \* 8/1978 Mayer et al. .... 2/69.5  
5,560,043 A \* 10/1996 Armstrong ..... 2/69.5  
5,611,083 A 3/1997 Arnold  
5,794,263 A 8/1998 Carman  
6,687,919 B2 2/2004 Dilworth  
7,594,279 B2 \* 9/2009 Roy ..... 2/114  
D609,432 S \* 2/2010 Jennings ..... D2/831  
7,810,170 B1 \* 10/2010 Guthrie ..... 2/69.5  
D671,714 S \* 12/2012 McCarroll ..... D2/831  
8,510,865 B2 8/2013 Pyfer  
D693,987 S \* 11/2013 Wagner et al. .... D2/719  
8,578,515 B1 11/2013 Peteren  
2005/0144695 A1 7/2005 Aldridge  
2007/0266473 A1 \* 11/2007 Issel ..... 2/84  
2009/0144878 A1 \* 6/2009 Mina ..... 2/114

\* cited by examiner

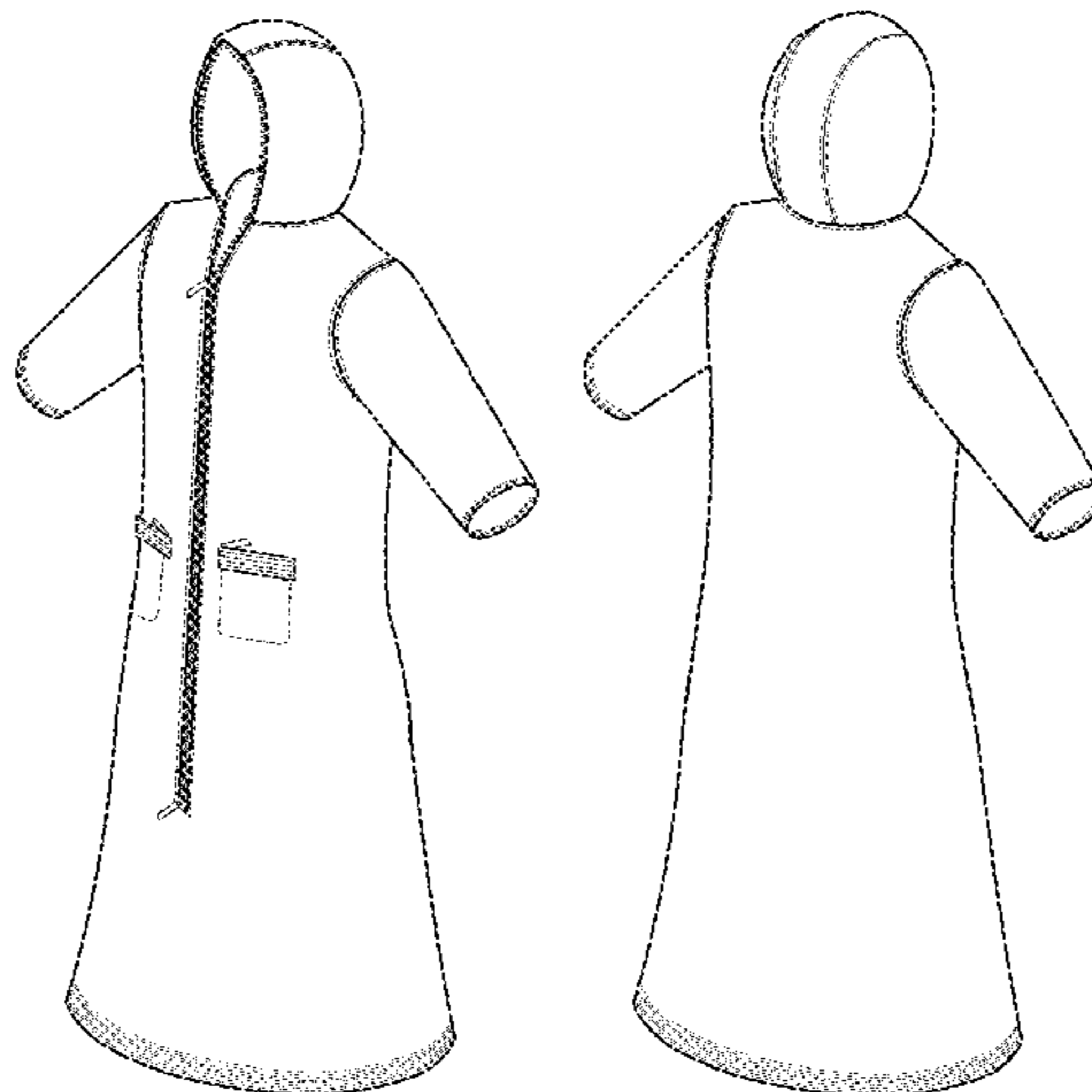
*Primary Examiner* — Rashida Johnson  
(74) *Attorney, Agent, or Firm* — Mark Terry

(57) **CLAIM**  
The ornamental design for a robe, as shown and described.

**DESCRIPTION**

FIG. 1 is a front perspective view of a robe, showing the new design;  
FIG. 2 is a rear perspective view thereof;  
FIG. 3 is a front side view thereof;  
FIG. 4 is a right side view of thereof;  
FIG. 5 is a top view thereof;  
FIG. 6 is a rear view thereof;  
FIG. 7 is a left view thereof; and,  
FIG. 8 is a bottom view thereof.  
The broken lines shown throughout the views represent stitching.

**1 Claim, 3 Drawing Sheets**



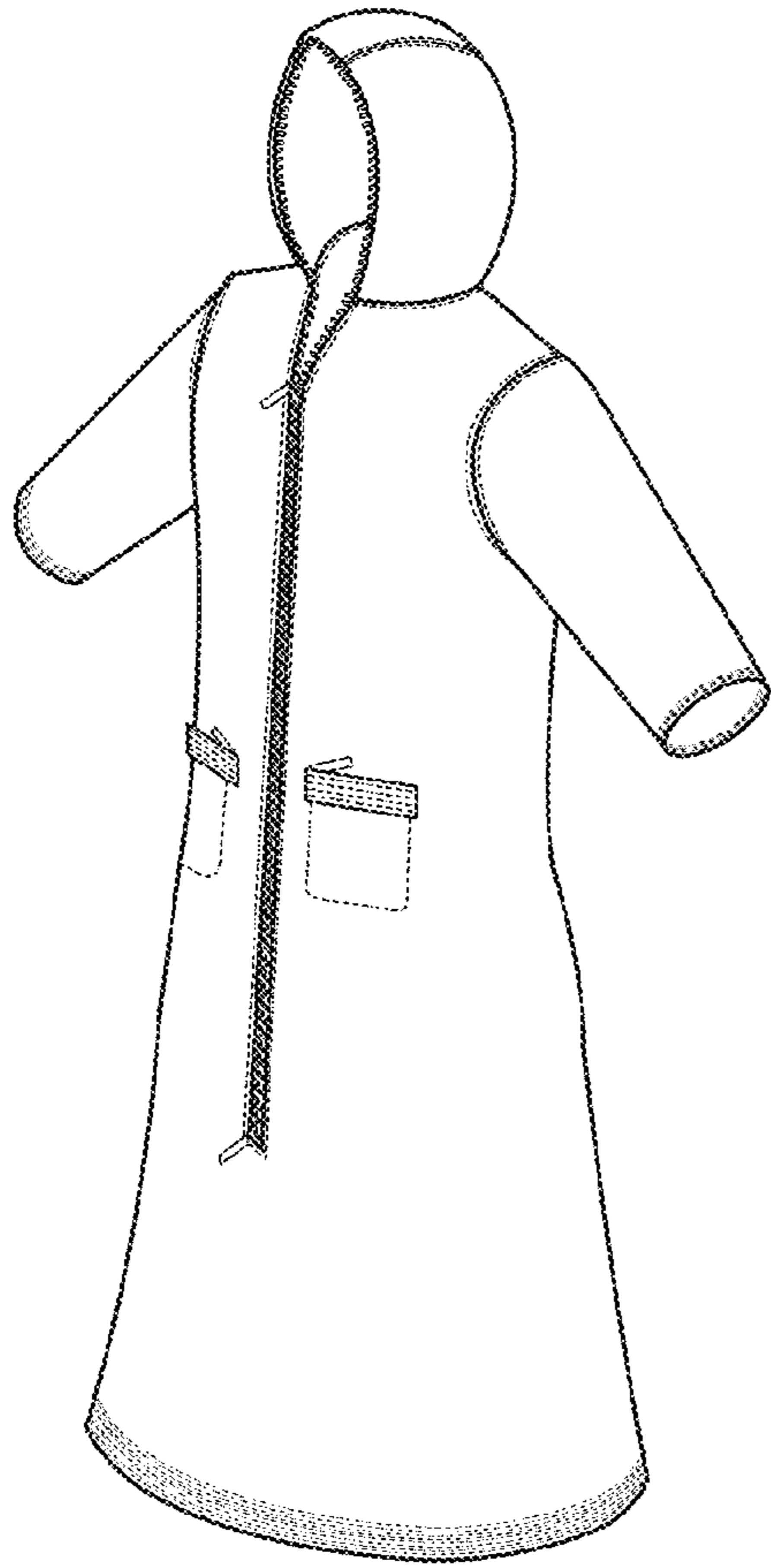


Fig. 1

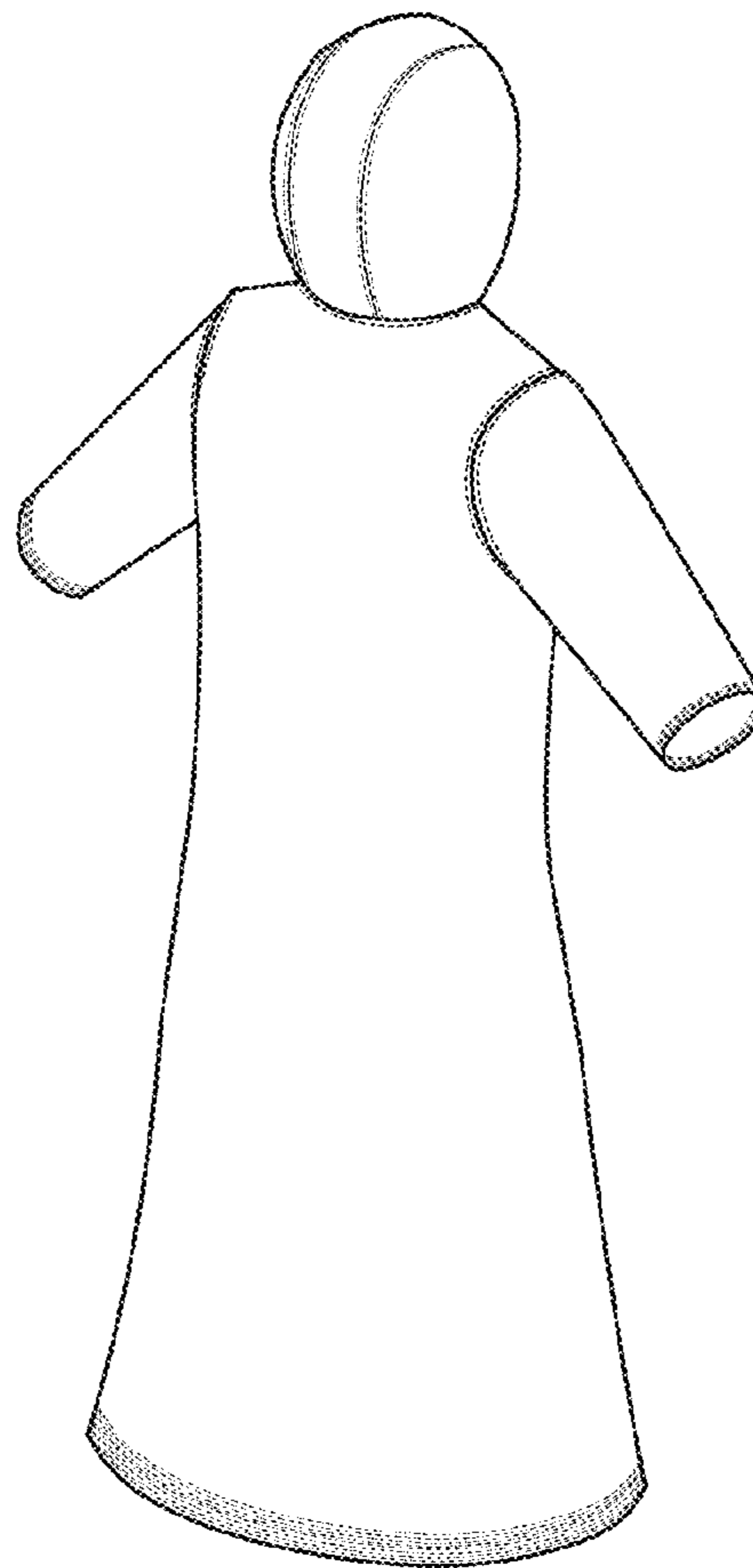


Fig. 2

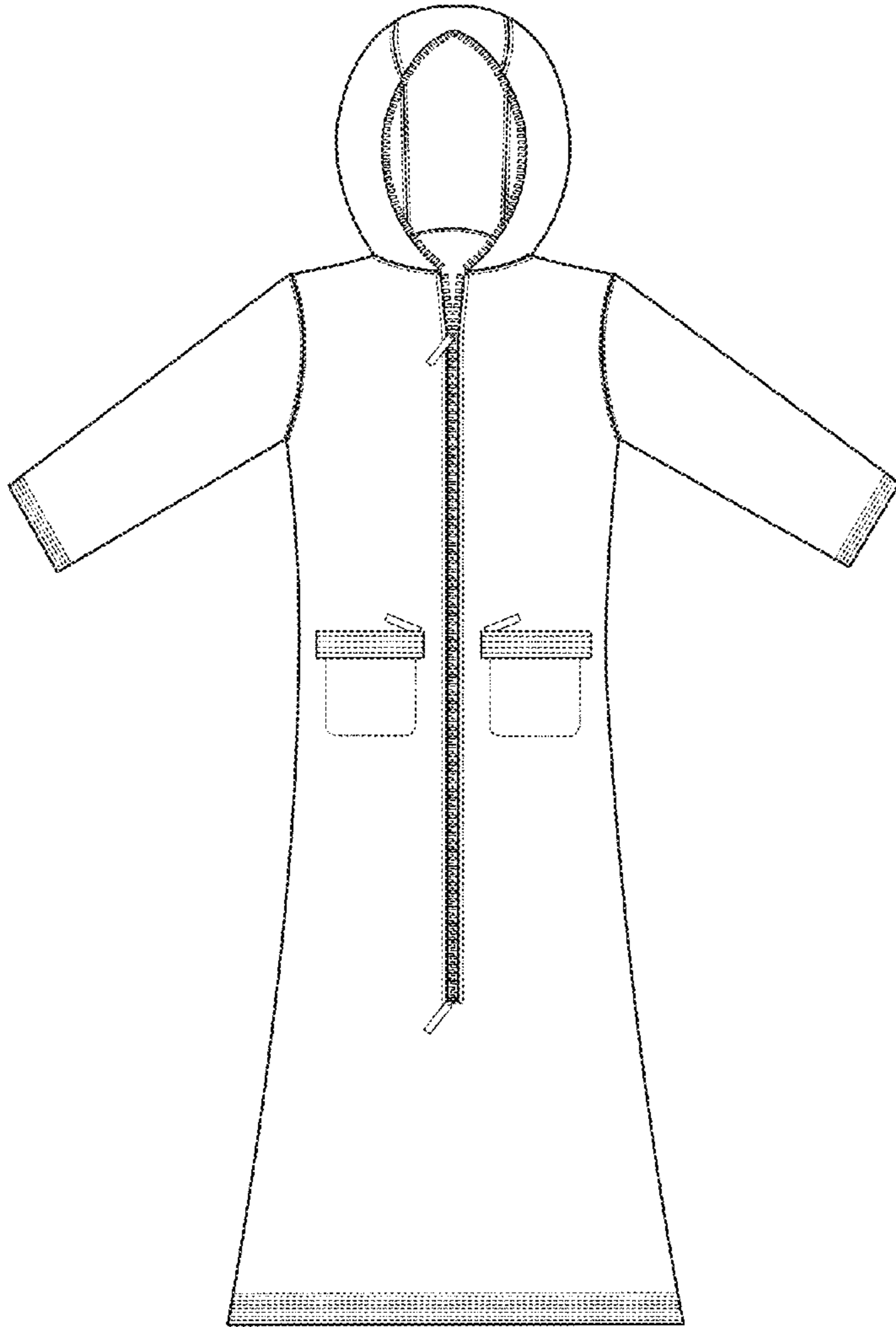


Fig. 3

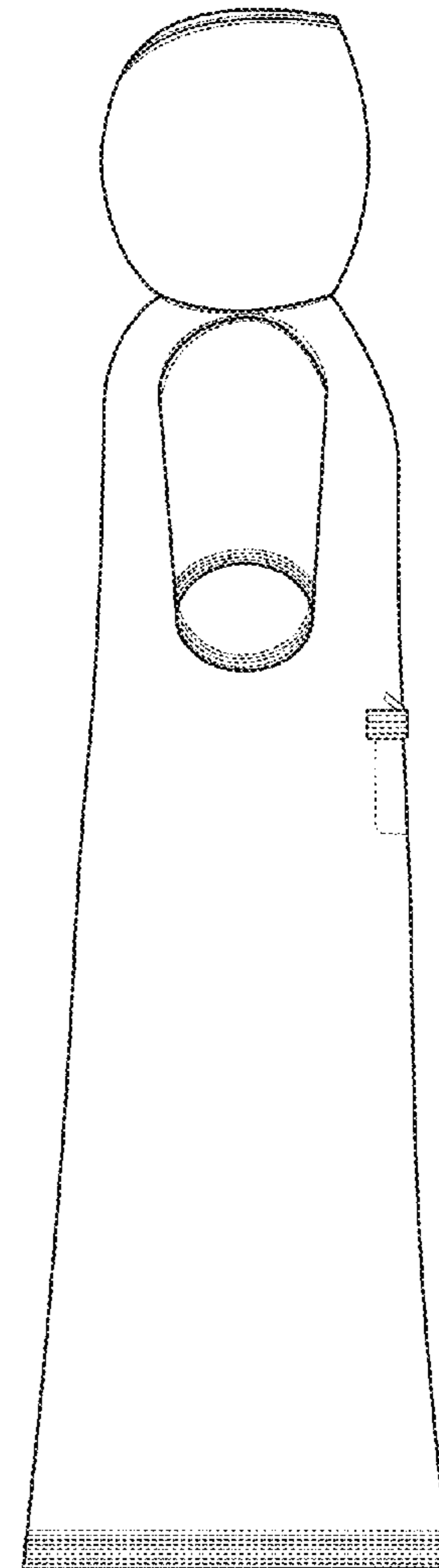


Fig. 4

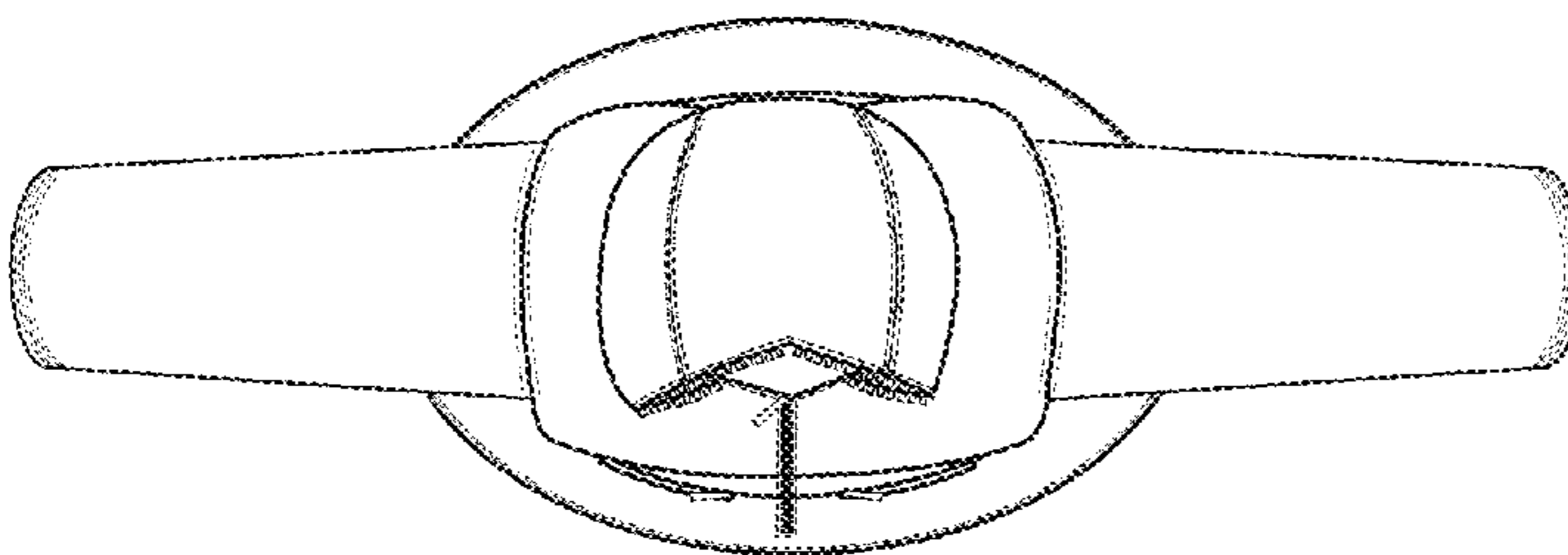


Fig. 5

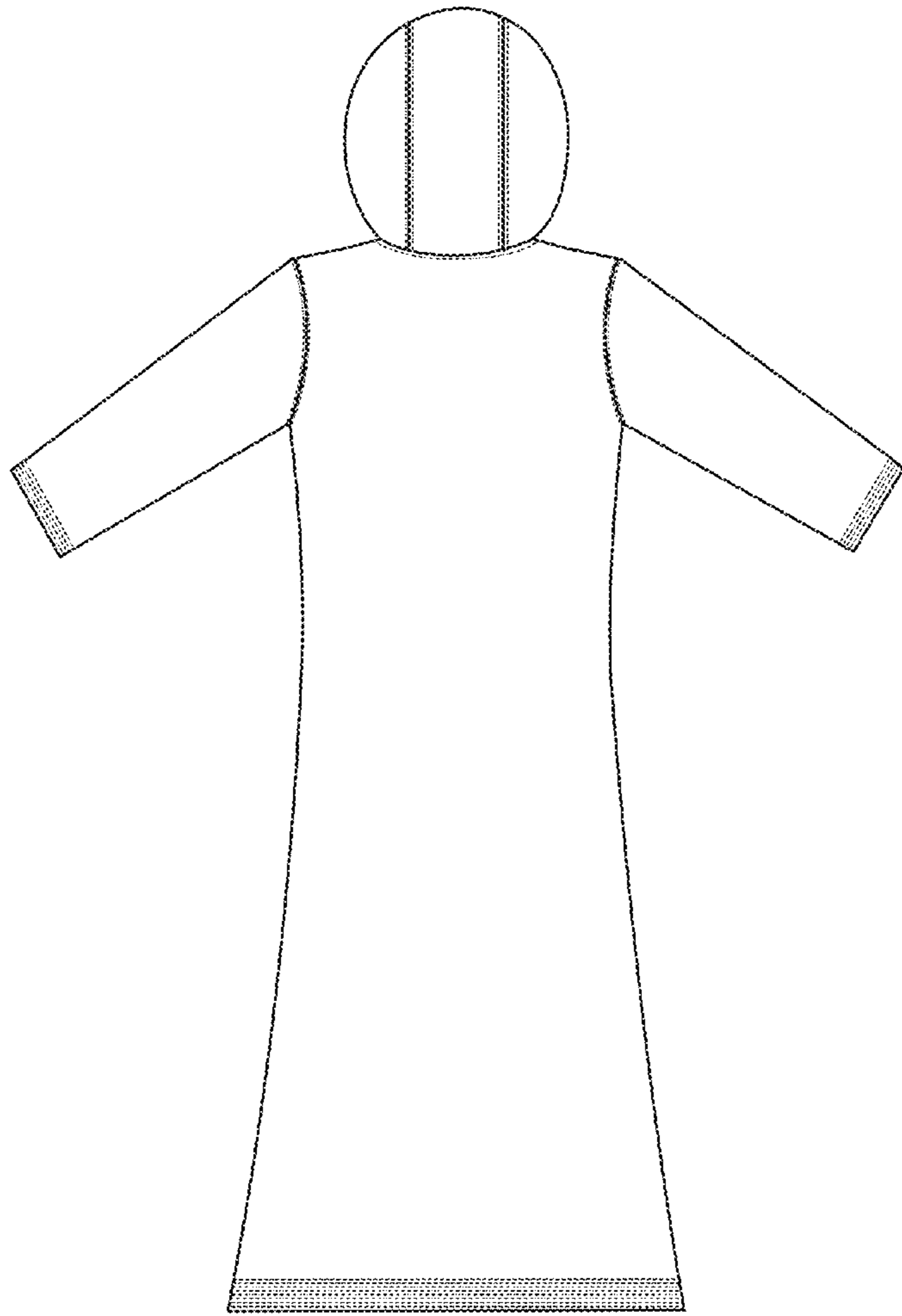


Fig. 6

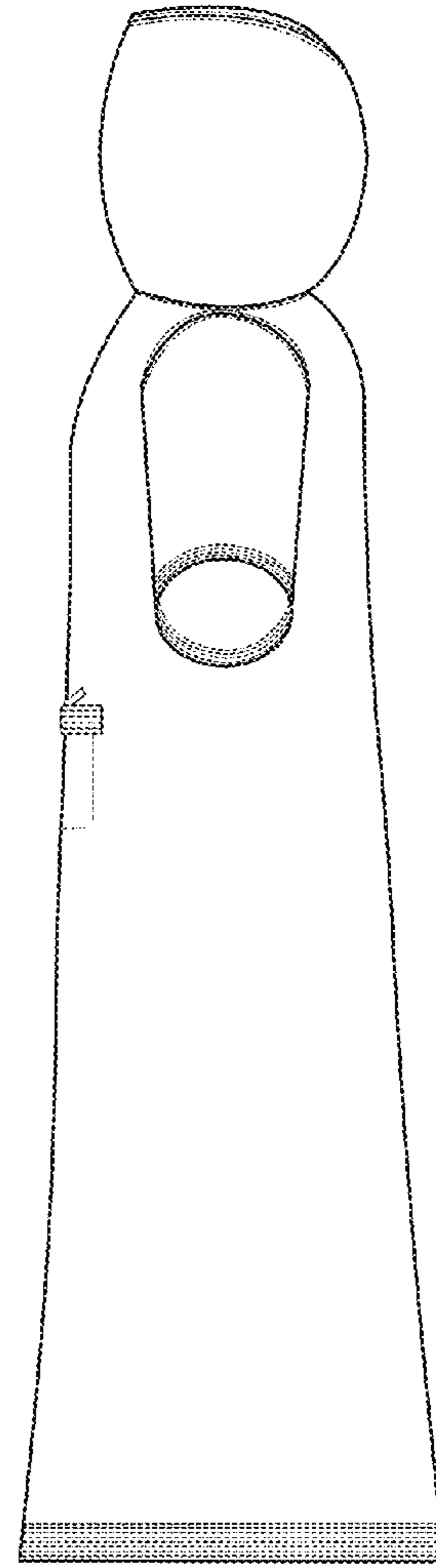


Fig. 7

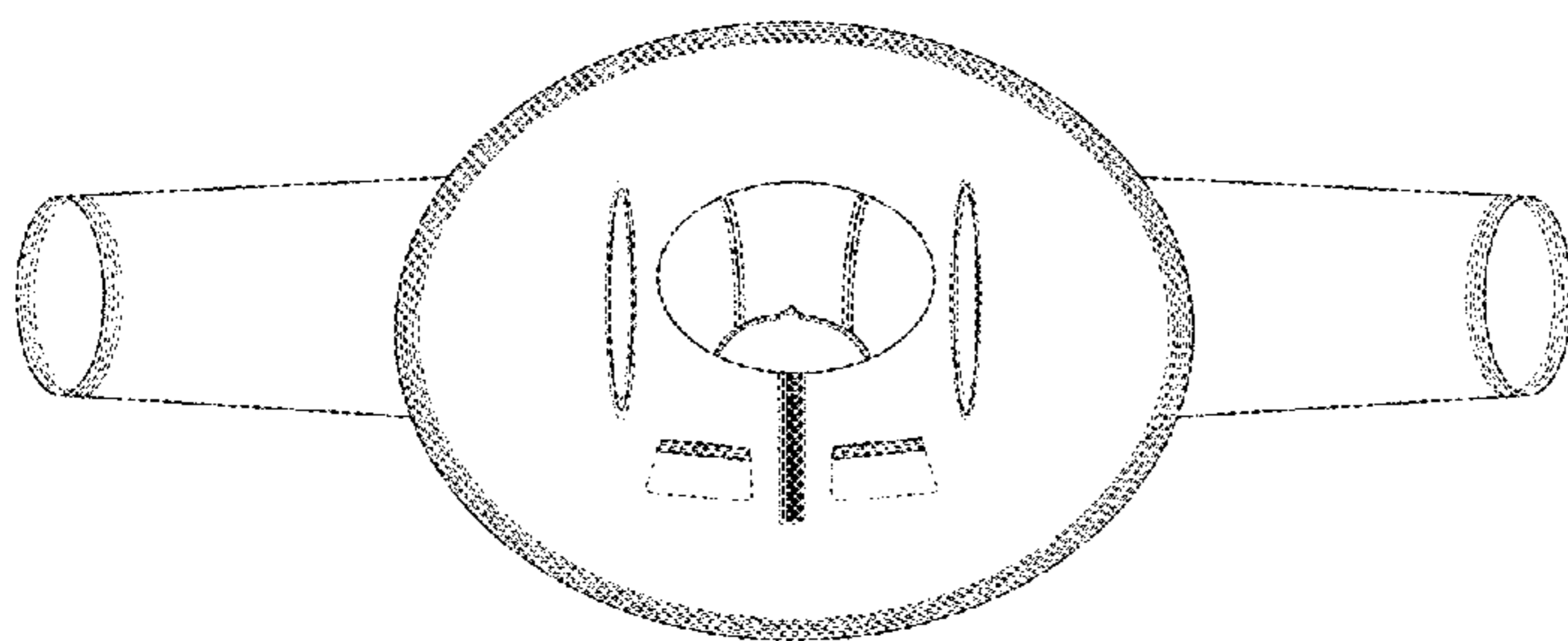


Fig. 8