



US00D721464S

(12) **United States Design Patent**
Darvish

(10) **Patent No.:** **US D721,464 S**
(45) **Date of Patent:** **** Jan. 20, 2015**

(54) **FOLDABLE SHOPPING CART**

(71) Applicant: **Daniel Darvish**, Sherman Oaks, CA
(US)

(72) Inventor: **Daniel Darvish**, Sherman Oaks, CA
(US)

(**) Term: **14 Years**

(21) Appl. No.: **29/464,322**

(22) Filed: **Aug. 15, 2013**

(51) **LOC (10) Cl.** **12-02**

(52) **U.S. Cl.**
USPC **D34/27**

(58) **Field of Classification Search**
USPC D34/12-27; 280/5.32, 33.993, 47.371,
280/641-643, 651
See application file for complete search history.

(56) **References Cited**

U.S. PATENT DOCUMENTS

3,191,956	A *	6/1965	Rizzuto	280/641
3,774,929	A *	11/1973	Stanley	280/641
4,765,646	A *	8/1988	Cheng	280/651
5,090,724	A *	2/1992	Fiore	280/643
5,294,158	A *	3/1994	Cheng	280/641
5,328,182	A *	7/1994	Kuo	280/5.32
D371,664	S *	7/1996	Ponce et al.	D34/25
5,906,383	A *	5/1999	Cortes	280/47.371
6,540,239	B2 *	4/2003	Lee, Jr.	280/33.993
6,827,364	B1 *	12/2004	Martin	280/641
6,866,289	B2 *	3/2005	Prather	280/651
6,869,097	B2 *	3/2005	Prather et al.	280/651
7,229,092	B1 *	6/2007	Parker et al.	280/647
7,246,814	B2 *	7/2007	Prather et al.	280/651
D609,422	S *	2/2010	Mulka et al.	D34/21
8,733,786	B1 *	5/2014	James	280/651

8,764,045	B1 *	7/2014	Kossowsky	280/651
2005/0156406	A1 *	7/2005	Prather	280/651
2012/0274052	A1 *	11/2012	Zhu	280/651

* cited by examiner

Primary Examiner — Cynthia Ramirez

Assistant Examiner — Gino Colan

(74) *Attorney, Agent, or Firm* — TechLaw LLP

(57) **CLAIM**

The ornamental design for a foldable shopping cart, as shown and described.

DESCRIPTION

FIG. 1 is a perspective view of the foldable shopping cart in its open configuration;

FIG. 2 is a view of the left back wheel of the foldable shopping cart, the right back wheel being a mirror image thereof. The other wheels not shown in this figure for convenience of illustration;

FIG. 3 is a perspective view of the foldable shopping cart in its folded configuration, showing a position of the wheels;

FIG. 4 is another perspective view of the foldable shopping cart in its folded configuration showing the wheels in an alternate position;

FIG. 5 is a side view of the foldable shopping cart in its folded configuration, showing a position of the wheels;

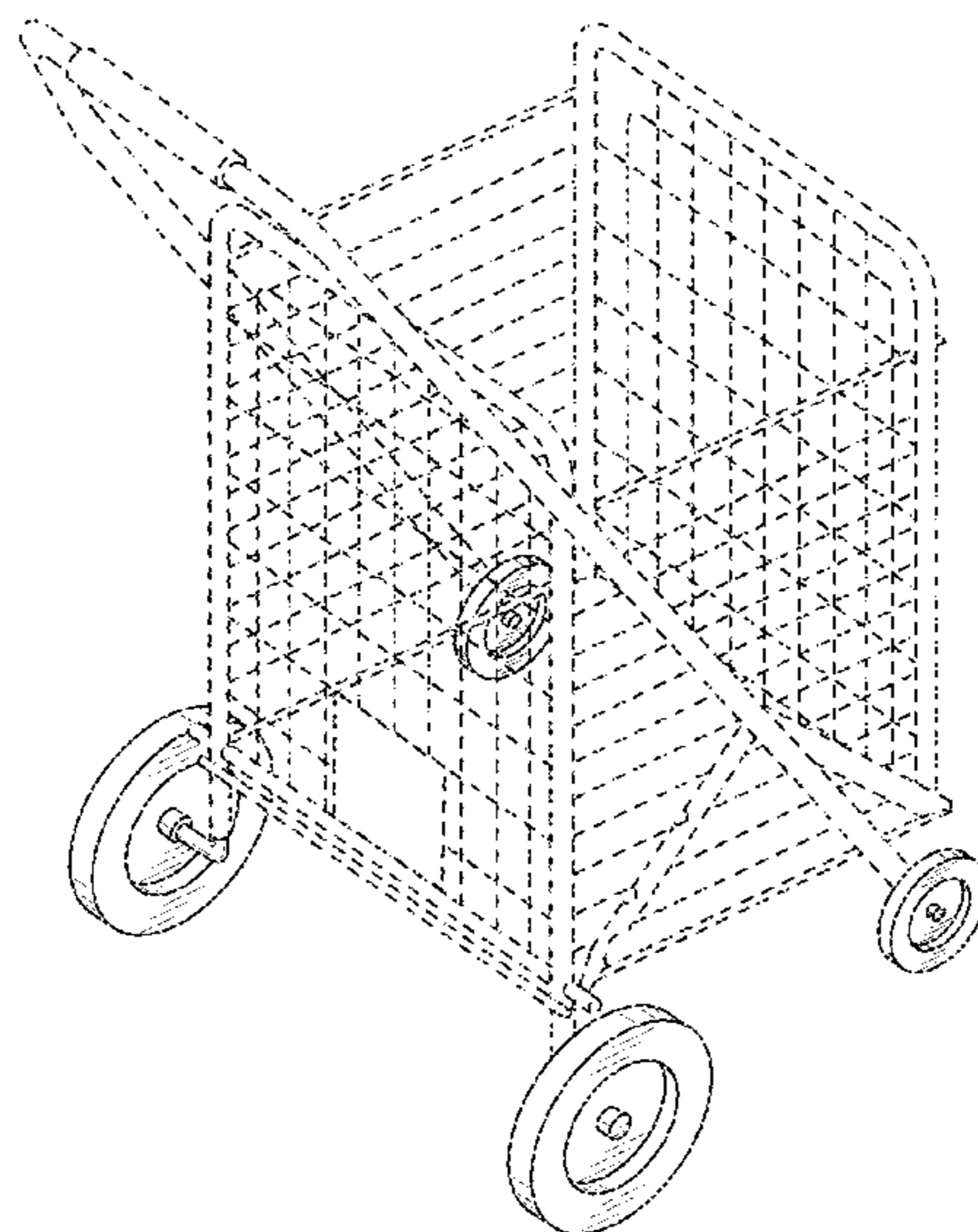
FIG. 6 is a side view of the foldable shopping cart in its folded configuration, showing the wheels in an alternate position;

FIG. 7 is a back view of the foldable shopping cart in its folded configuration, showing a position of the wheels; and,

FIG. 8 is a back view of the foldable shopping cart in its folded configuration, showing the wheels in an alternate position.

The broken line shown in the figures are included for the purpose of illustrating elements of the foldable shopping cart and form no part of the claimed design.

1 Claim, 6 Drawing Sheets



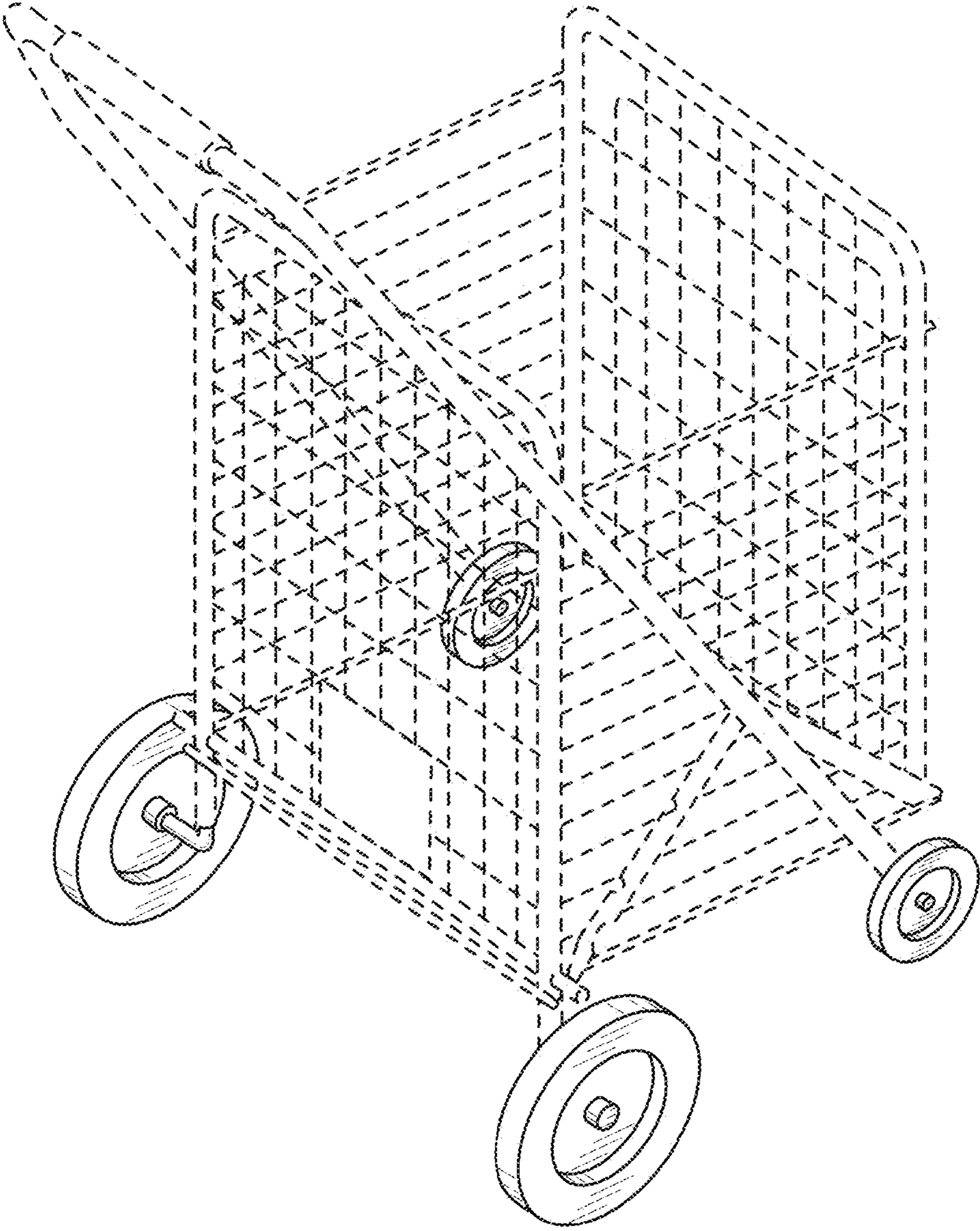


Fig. 1

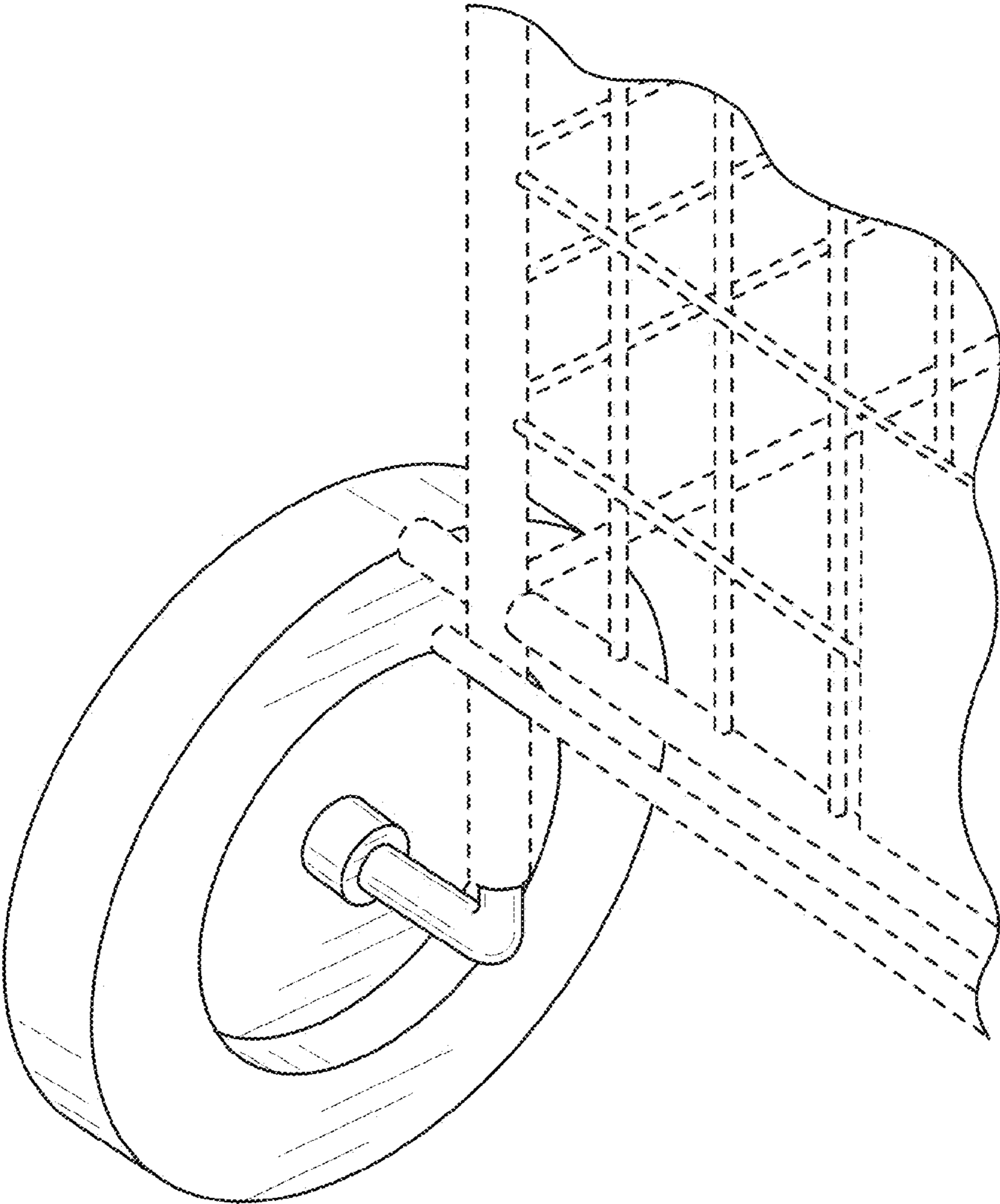


Fig. 2

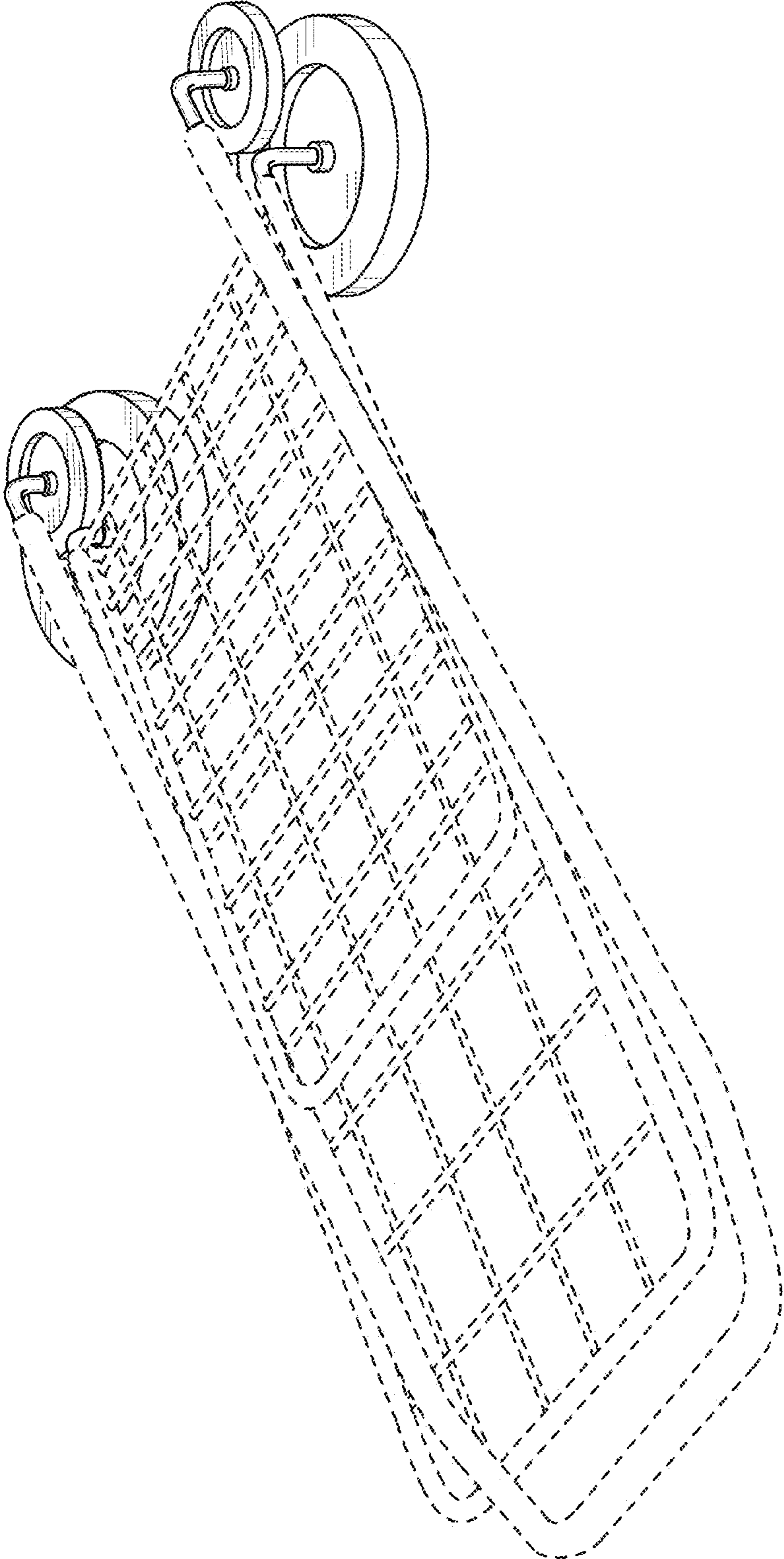


Fig. 3

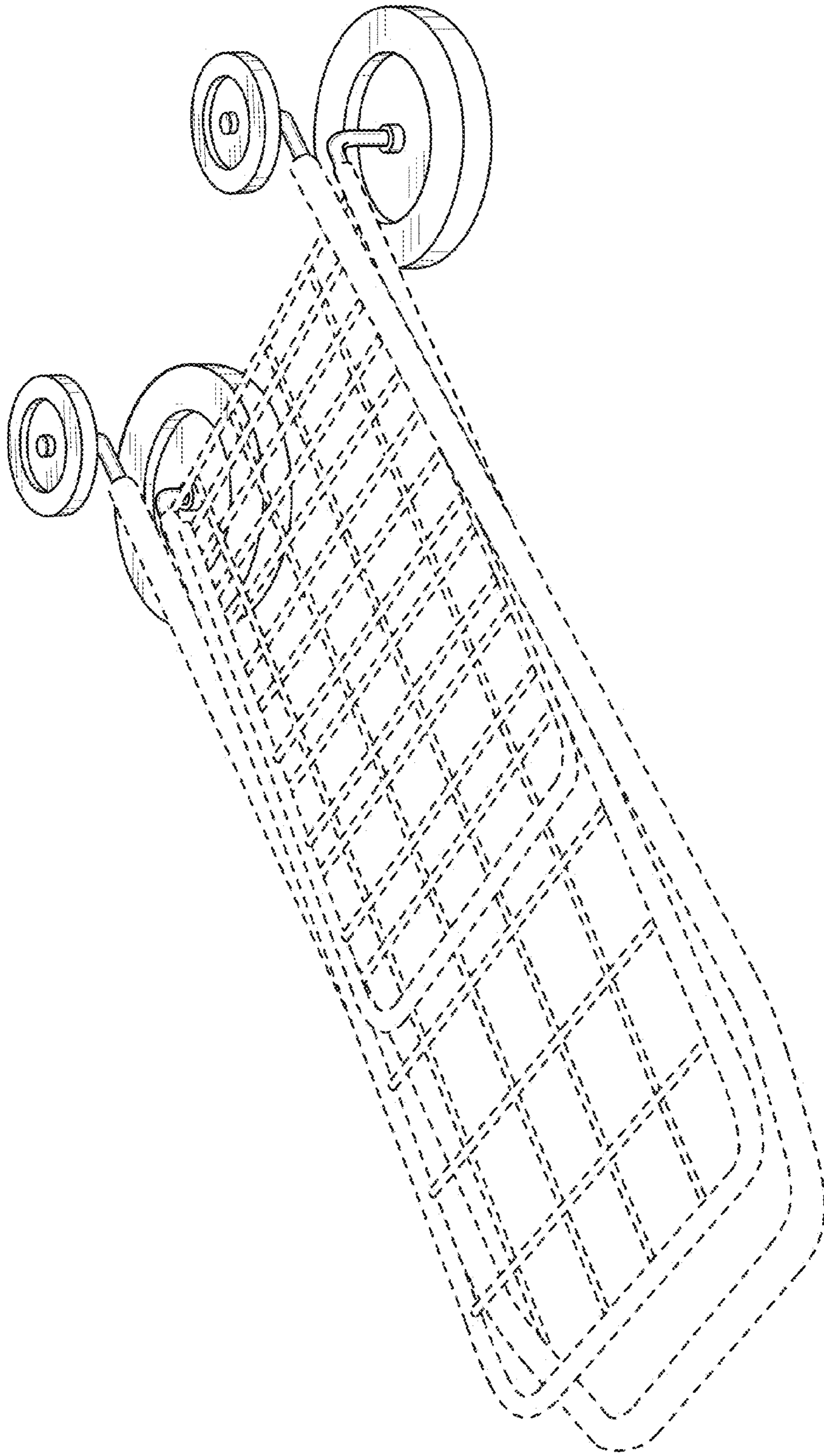


Fig. 4

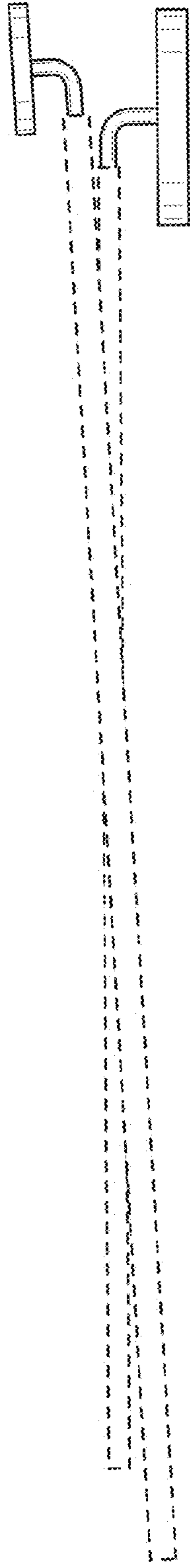


Fig. 5

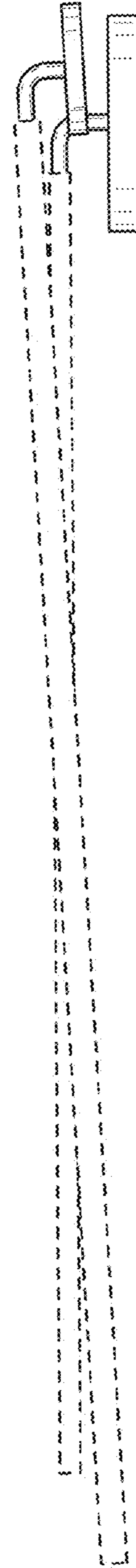


Fig. 6

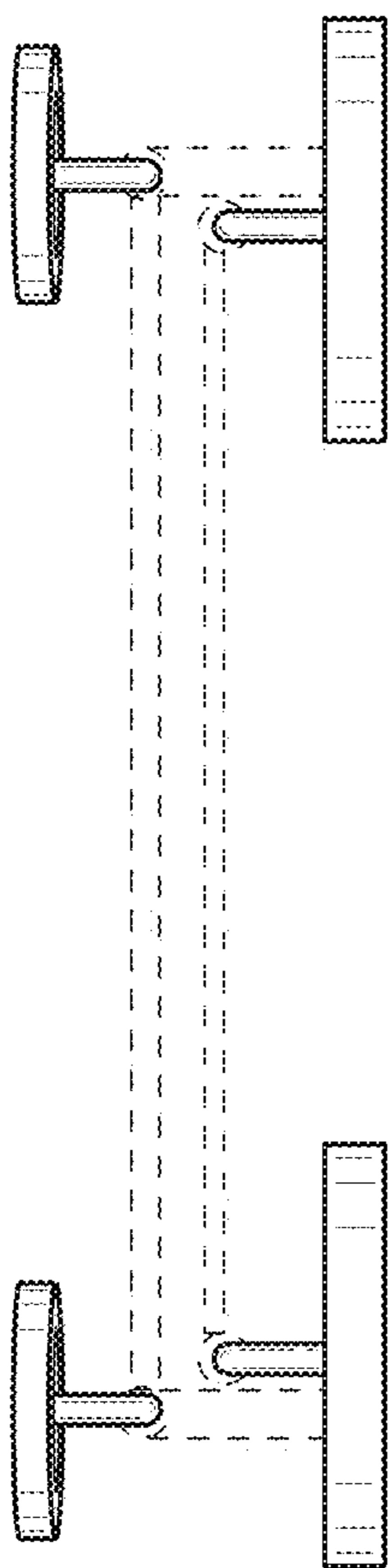


Fig. 7

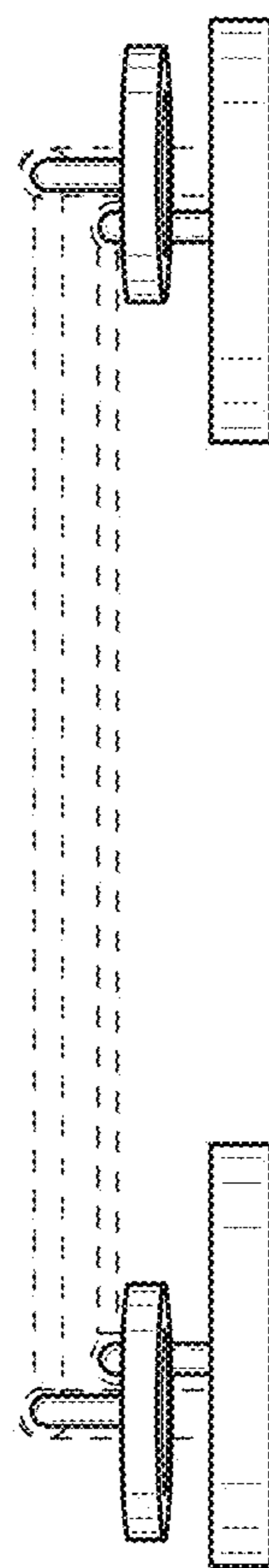


Fig. 8