



US00D721463S

(12) **United States Design Patent**
Kandasamy et al.

(10) **Patent No.:** **US D721,463 S**
(45) **Date of Patent:** **** Jan. 20, 2015**

(54) **DUSTPAN**
(71) Applicant: **Freudenberg Household Products LP,**
Aurora, IL (US)
(72) Inventors: **Balaji Kandasamy,** Naperville, IL (US);
Joseph Seifts, Naperville, IL (US)
(73) Assignee: **Freudenberg Household Products LP,**
Aurora, IL (US)

(**) Term: **14 Years**
(21) Appl. No.: **29/497,441**

(22) Filed: **Jul. 24, 2014**
(51) **LOC (10) Cl.** **07-05**
(52) **U.S. Cl.**
USPC **D32/74**
(58) **Field of Classification Search**
CPC A47L 13/52; A47L 13/51; A46B 15/00;
A46B 15/97; A46B 17/04; A46B 5/04;
A46B 5/00; A46B 2200/302
USPC D32/74, 41; D30/162; D7/691, 688;
D4/116; 15/257.5, 257.3, 257.2, 257.1;
134/6
See application file for complete search history.

(56) **References Cited**
U.S. PATENT DOCUMENTS
D466,262 S * 11/2002 Chemtob D32/74
D470,289 S * 2/2003 Petner D32/74

D475,828 S * 6/2003 Libman et al. D32/74
D508,760 S * 8/2005 Berti D32/74
D510,165 S * 9/2005 Berti D32/74
D586,970 S * 2/2009 Berti D32/74
D630,401 S * 1/2011 Libman et al. D32/74
D630,403 S * 1/2011 Raven D32/74
D667,191 S * 9/2012 Libman et al. D32/74
D667,192 S * 9/2012 Libman et al. D32/74
D687,204 S * 7/2013 Vasilakes et al. D32/74
D711,609 S * 8/2014 Libman et al. D32/74

* cited by examiner

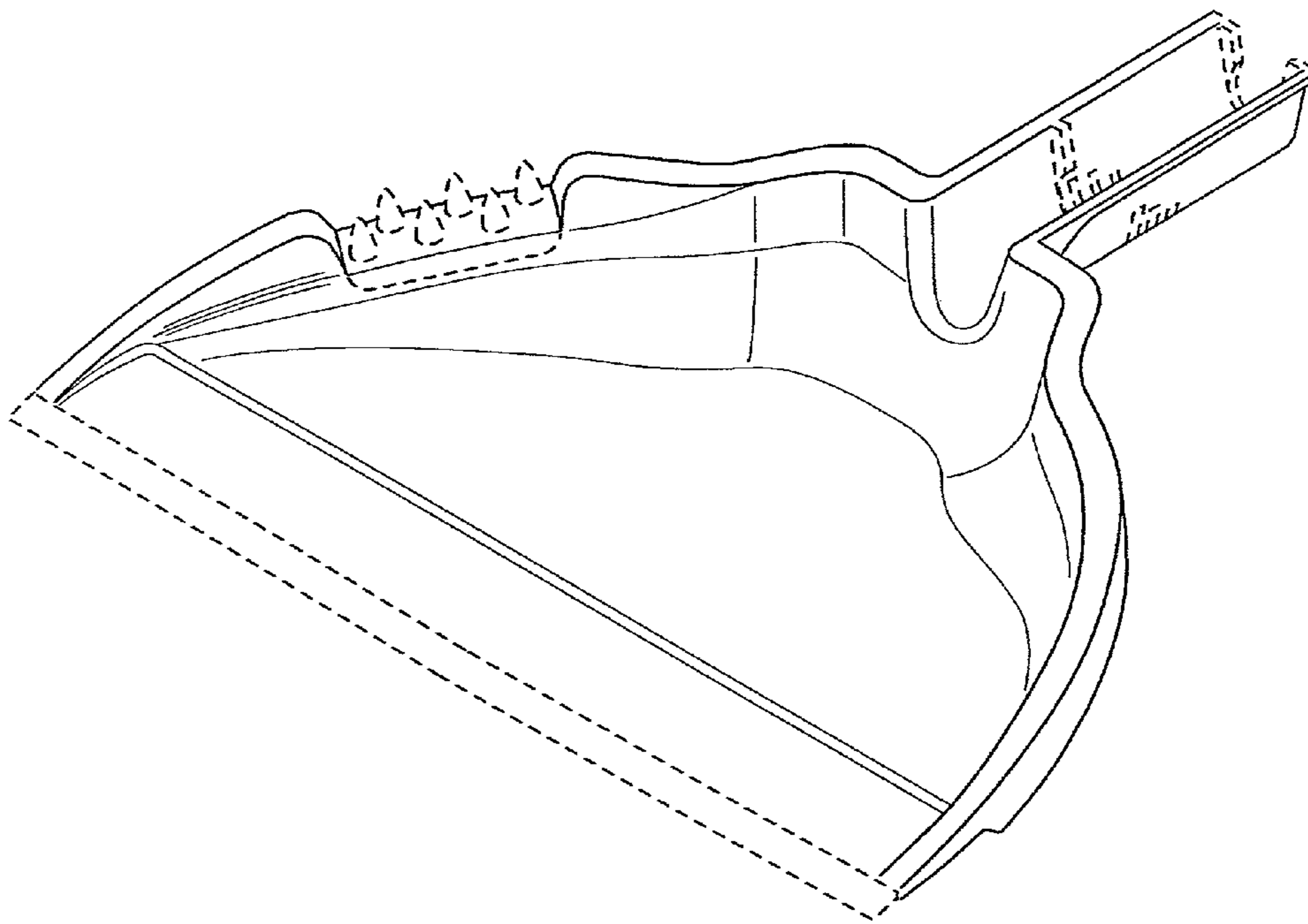
Primary Examiner — Austin Murphy
(74) *Attorney, Agent, or Firm* — Leydig, Voit & Mayer, Ltd.

(57) **CLAIM**
The ornamental design for a dustpan, as shown and described.

DESCRIPTION

FIG. 1 is a perspective view taken from the top, front, and right side of a dustpan showing our new design; FIG. 2 is a top plan view of the dustpan shown in FIG. 1; FIG. 3 is a bottom view of the dustpan shown in FIG. 1; FIG. 4 is a front elevational view of the dustpan shown in FIG. 1; FIG. 5 is a rear elevational view of the dustpan shown in FIG. 1; FIG. 6 is a left elevational side view of the dustpan shown in FIG. 1; and, FIG. 7 is a right elevational side view of the dustpan shown in FIG. 1.
The broken lines are for illustration purposes only and form no part of the claimed design.

1 Claim, 5 Drawing Sheets



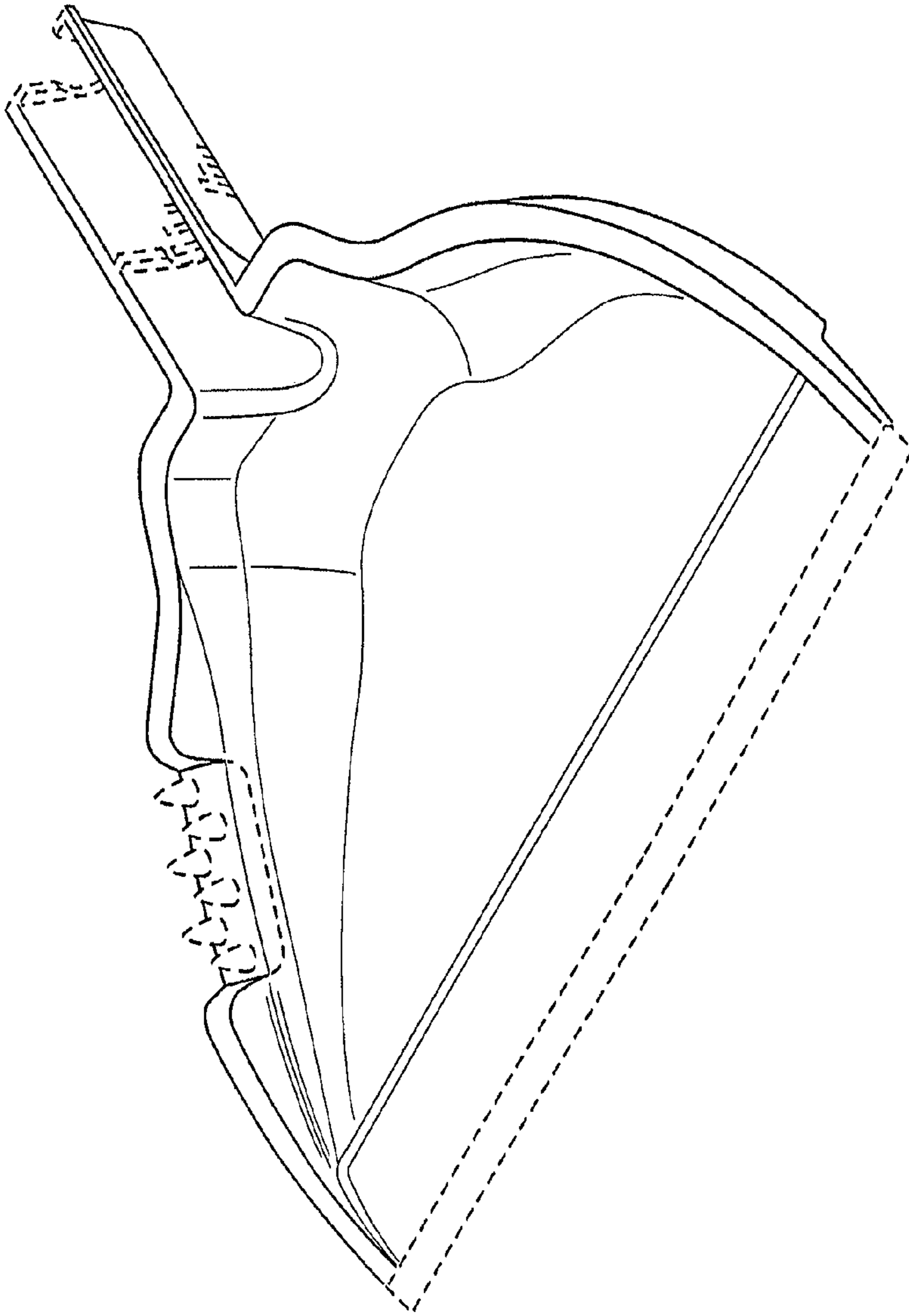


FIG. 1

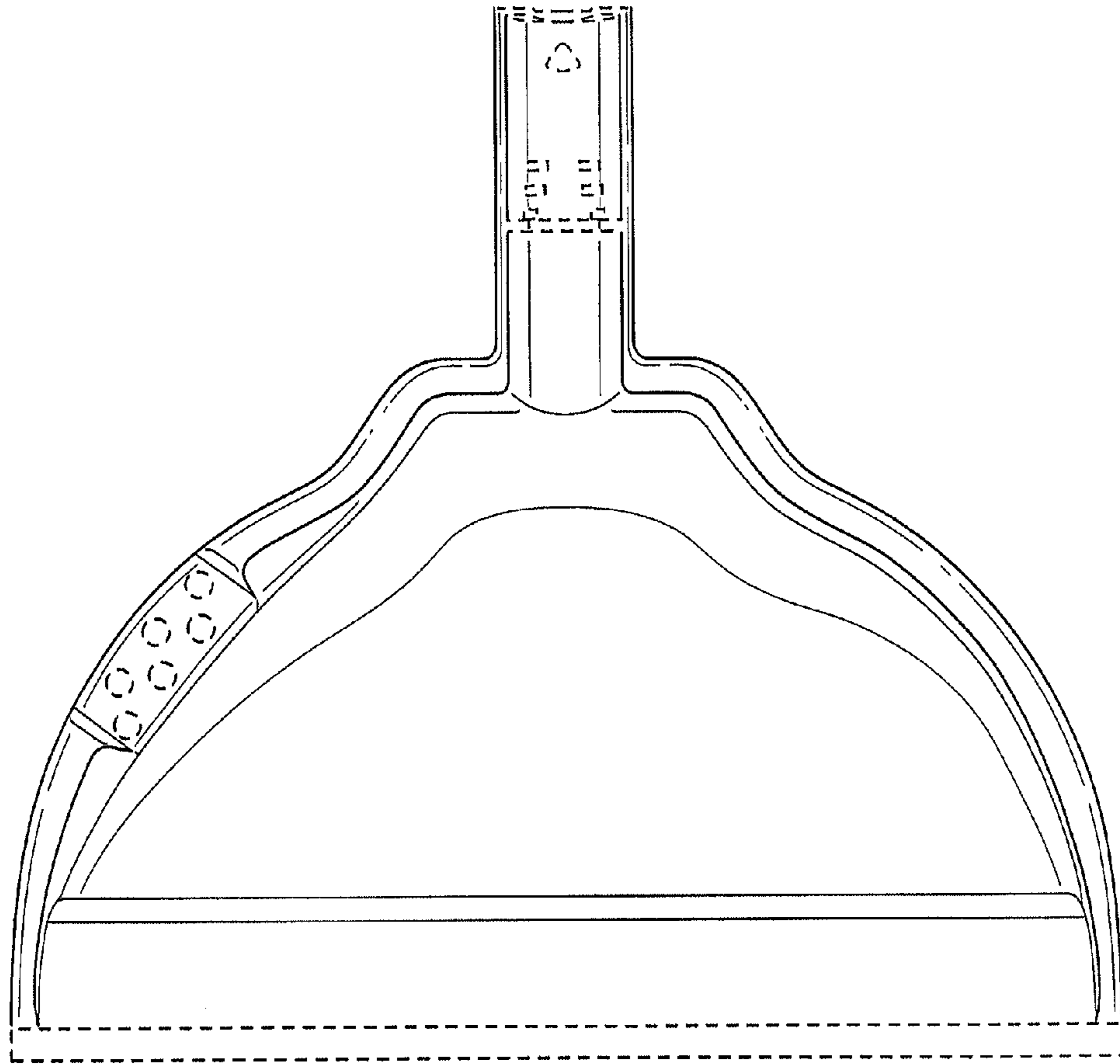


FIG. 2

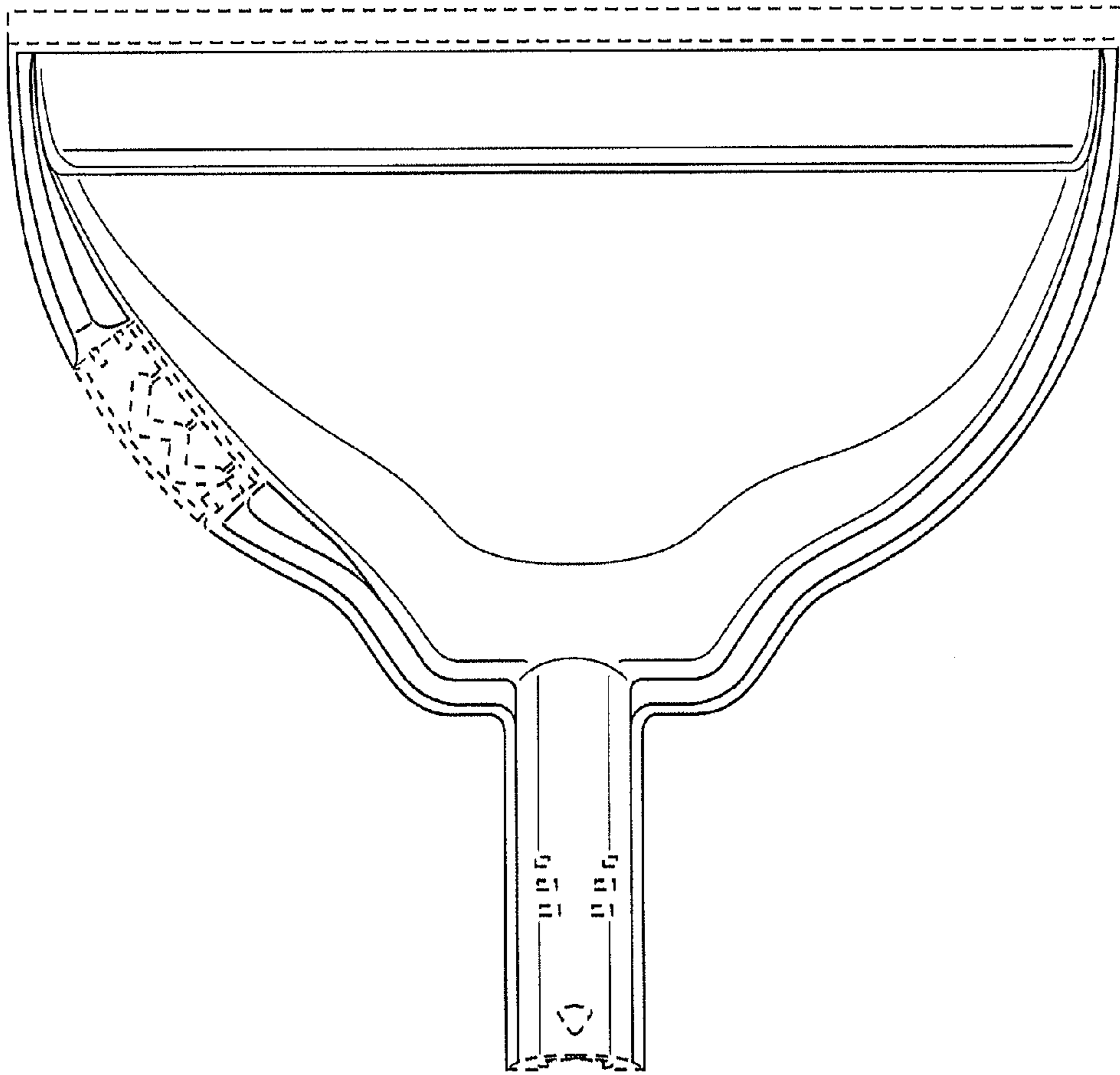


FIG. 3

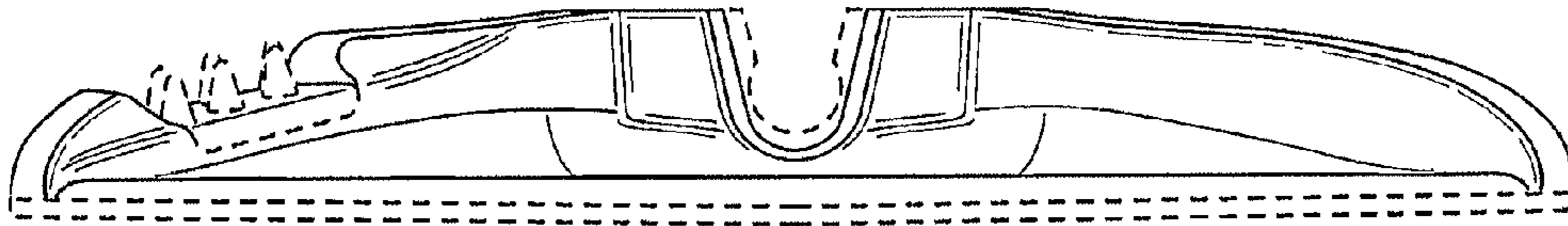


FIG. 4

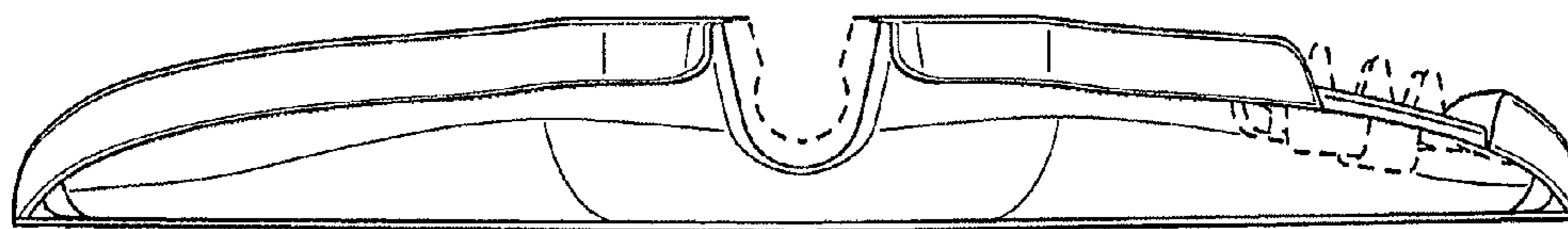


FIG. 5

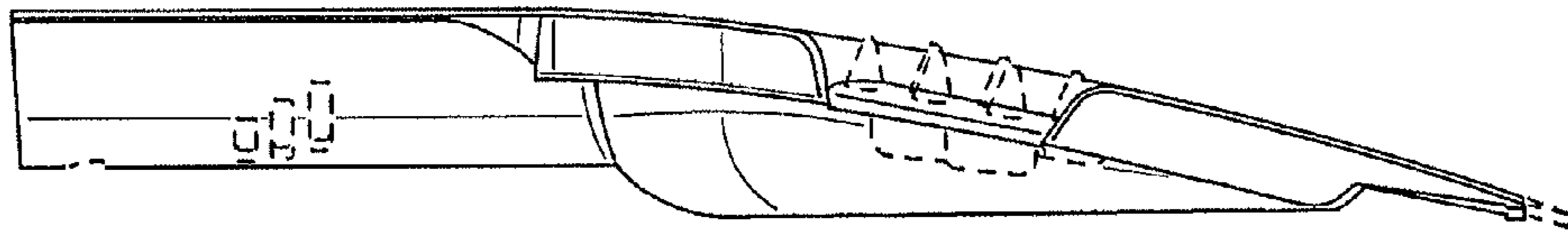


FIG. 6

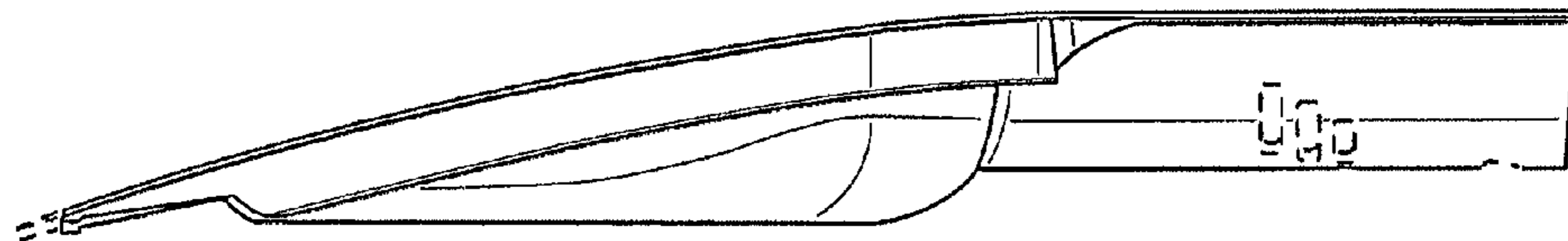


FIG. 7