

US00D721462S

(12) **United States Design Patent**
Muhl

(10) **Patent No.:** **US D721,462 S**
(45) **Date of Patent:** **** Jan. 20, 2015**

(54) **MOP**
(71) Applicant: **Carl Freudenberg KG**, Weinheim (DE)
(72) Inventor: **Till Muhl**, Hamburg (DE)
(73) Assignee: **Carl Freudenberg KG**, Weinheim (DE)
(**) Term: **14 Years**
(21) Appl. No.: **29/497,591**
(22) Filed: **Jul. 25, 2014**

(30) **Foreign Application Priority Data**
Jan. 29, 2014 (EM) 002394106-0001
Jan. 29, 2014 (EM) 002394106-0002
Jan. 29, 2014 (EM) 002394106-0003

(51) **LOC (10) Cl.** **04-01**
(52) **U.S. Cl.**
USPC **D32/50; D32/51**
(58) **Field of Classification Search**
USPC D32/40-45, 50-52; 15/118, 244.1,
15/244.2, 244.3, 244.4, 116.1, 116.2,
15/119.1, 119.2, 104.9, 228, 229.2, 229.4;
401/135-140
See application file for complete search history.

(56) **References Cited**
U.S. PATENT DOCUMENTS
D245,473 S * 8/1977 Heninger D32/50
D280,248 S * 8/1985 Hanson, Jr. D32/50
4,682,558 A * 7/1987 Broersz 114/222
D374,750 S * 10/1996 Vanderhoef et al. D32/50
5,896,613 A * 4/1999 Courtney et al. 15/119.2
D460,232 S * 7/2002 Weihrauch D32/50

D471,334 S * 3/2003 Reede D32/50
7,065,838 B2 * 6/2006 Mitchell et al. 16/436
D544,667 S * 6/2007 Nelson et al. D32/50
D547,069 S * 7/2007 Braithwaite et al. D4/137
D549,415 S * 8/2007 Trotter et al. D32/50
D576,367 S * 9/2008 Anderson et al. D32/50
D589,668 S * 3/2009 Byrne D32/50
7,540,056 B2 * 6/2009 Dotterman et al. 15/228
D599,518 S * 9/2009 Vrdoljak D32/40
D606,719 S * 12/2009 Robertson et al. D32/50

(Continued)

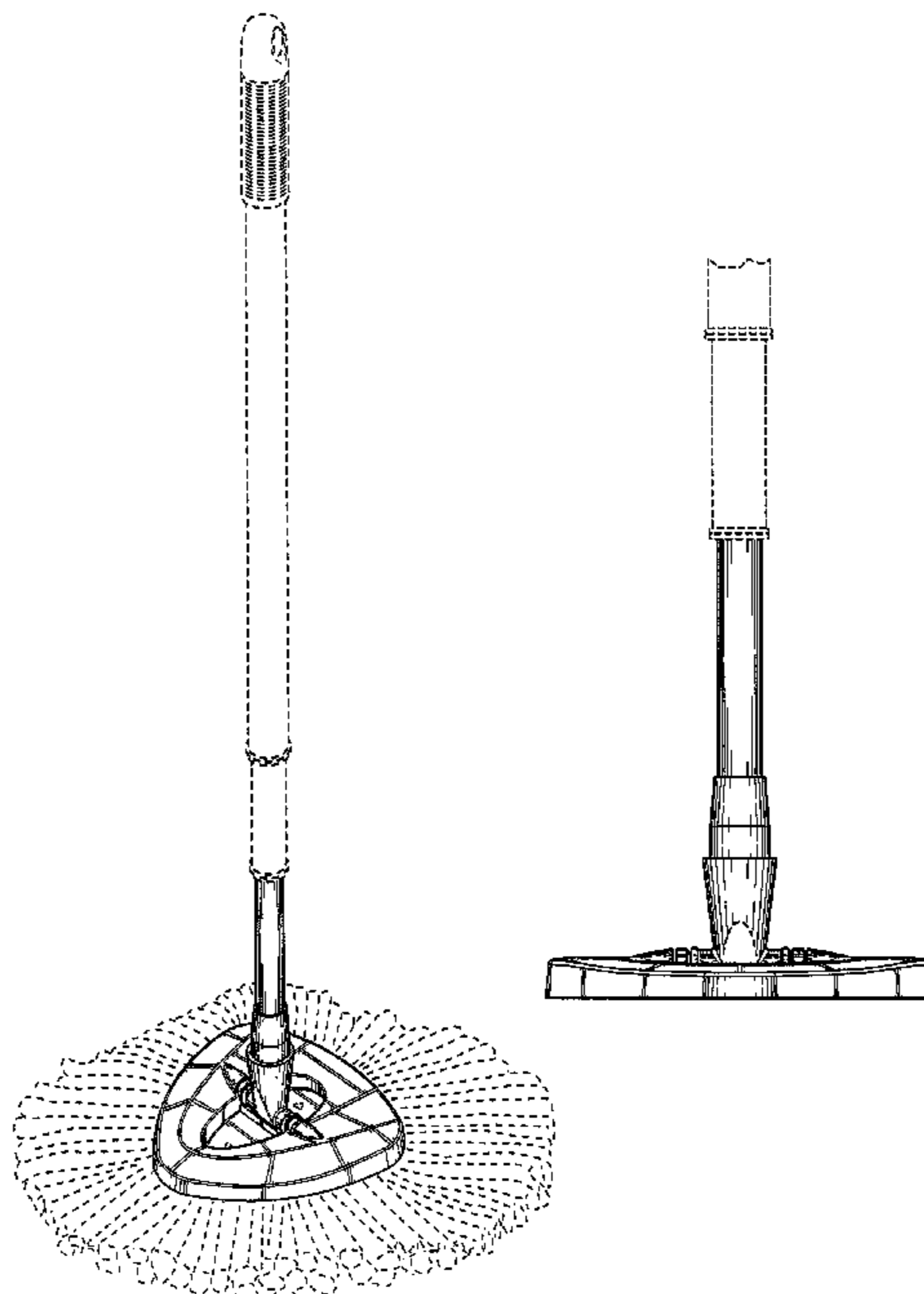
Primary Examiner — John Windmuller
(74) *Attorney, Agent, or Firm* — Leydig, Voit & Mayer, Ltd.

(57) **CLAIM**
The ornamental design for a mop, as shown and described.

DESCRIPTION

FIG. 1 is a perspective view taken from the top, front, and right side of a mop in accordance with my new design.
FIG. 2 is a front view of the mop of FIG. 1.
FIG. 3 is a rear view of the mop of FIG. 1.
FIG. 4 is a left side elevational view of the mop of FIG. 1.
FIG. 5 is a top view of the mop of FIG. 1.
FIG. 6 is a bottom view of the mop of FIG. 1.
FIG. 7 is a perspective view taken from the top, front, and right side of a mop in accordance with my design in an alternate environment.
FIG. 8 is a front view of the mop of FIG. 7.
FIG. 9 is a rear view of the mop of FIG. 7.
FIG. 10 is a left side elevational view of the mop of FIG. 7.
FIG. 11 is a top view of the mop of FIG. 7; and,
FIG. 12 is a bottom view of the mop of FIG. 7.
The broken lines shown represent unclaimed subject matter and form no part of the claimed design.

1 Claim, 9 Drawing Sheets



US D721,462 S

Page 2

(56)

References Cited

U.S. PATENT DOCUMENTS

D611,212 S * 3/2010 Kaminer et al. D32/40
D611,214 S * 3/2010 Kaminer et al. D32/50
D631,217 S * 1/2011 Lavy D32/45

D634,497 S * 3/2011 Robertson et al. D32/51
D647,677 S * 10/2011 Dammkoehler D32/51
D702,906 S * 4/2014 Michels et al. D32/50

* cited by examiner

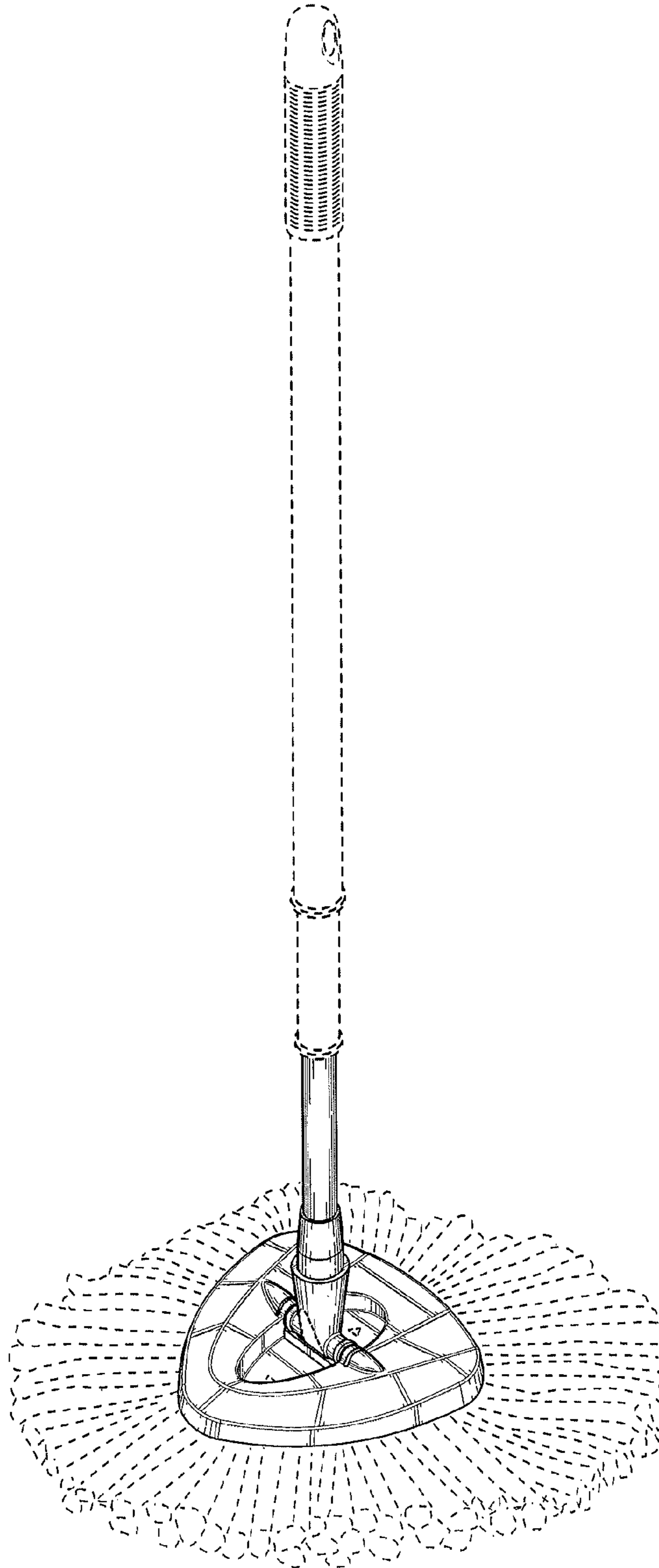


FIG. 1

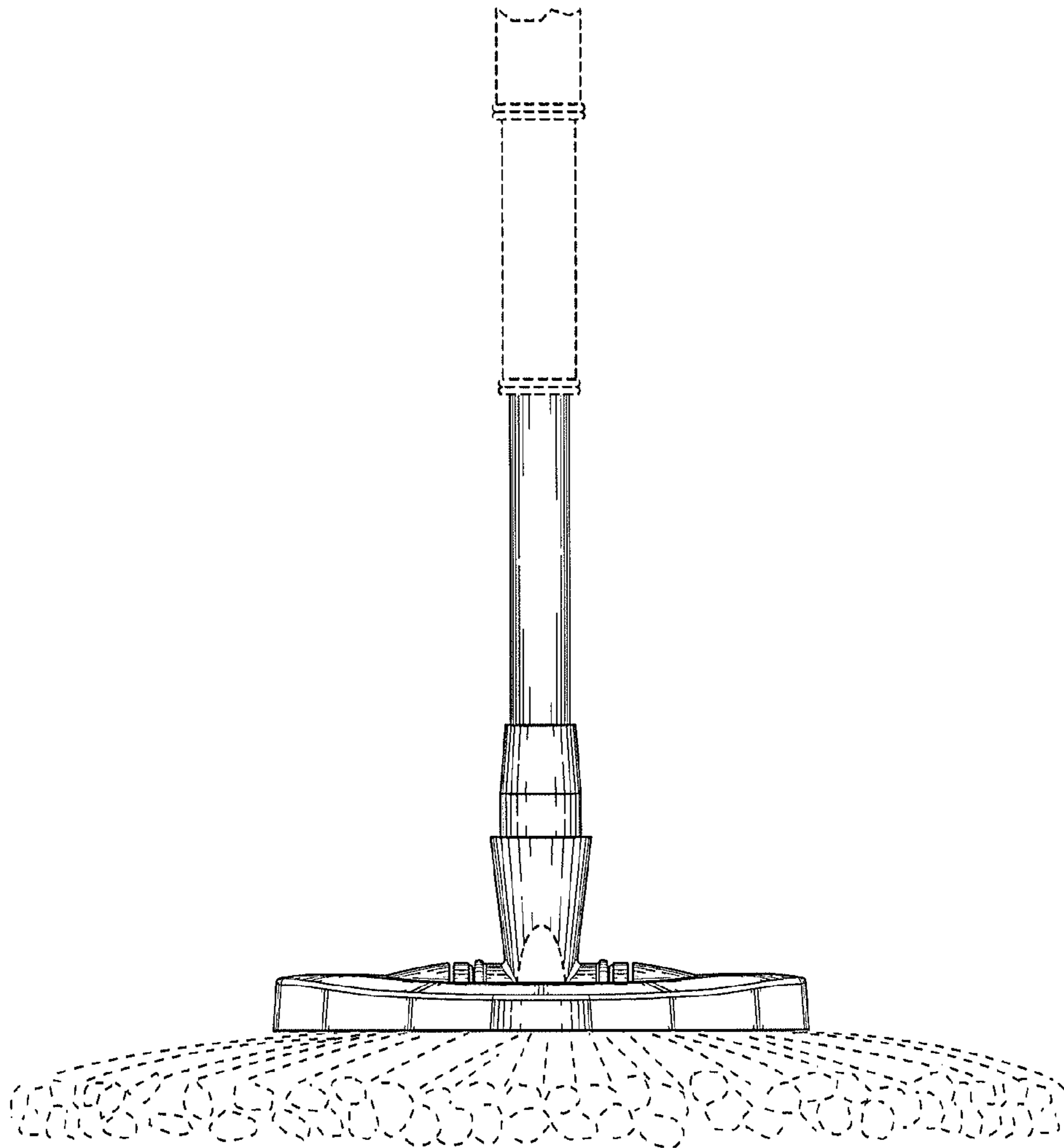


FIG. 2

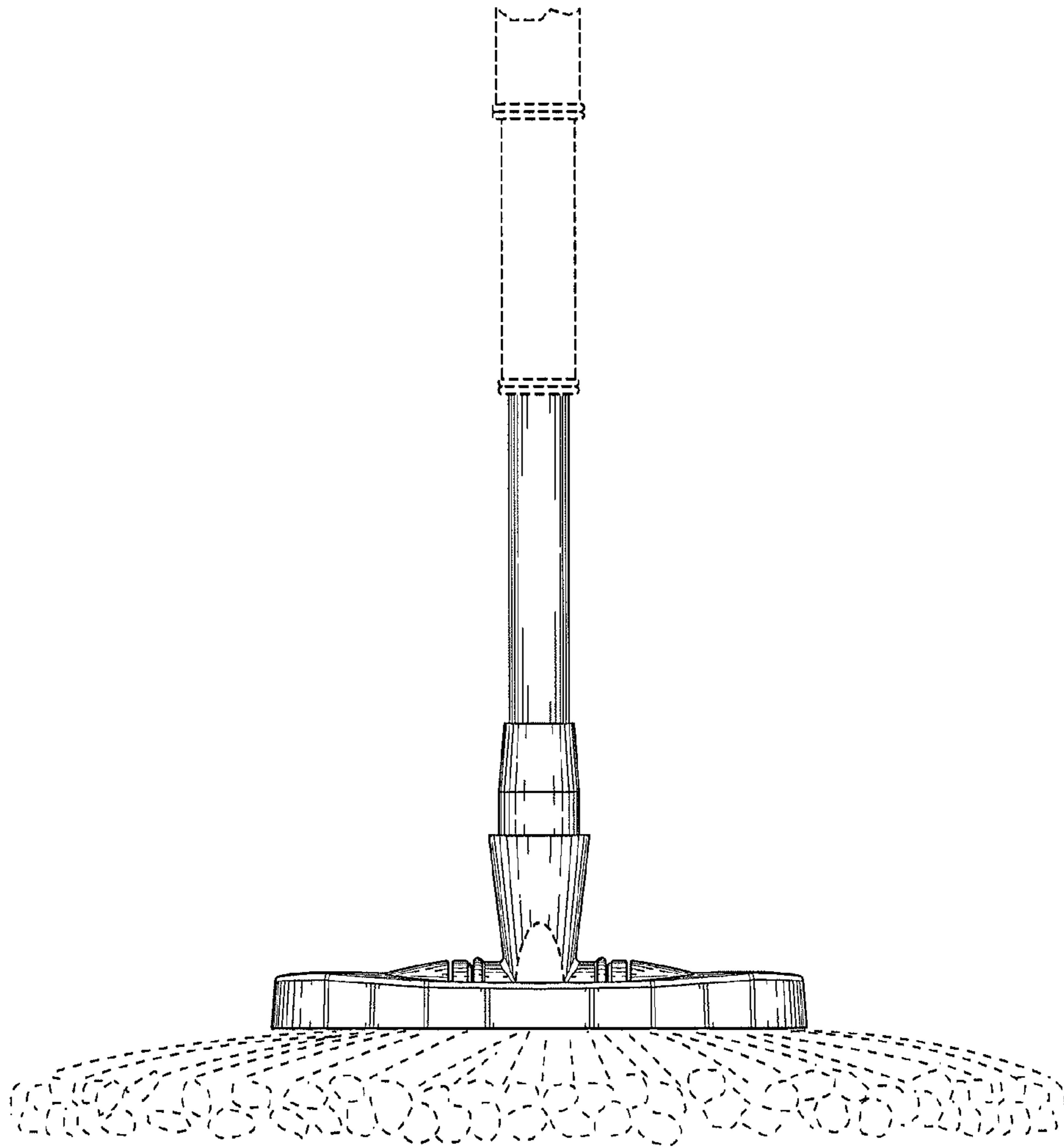


FIG. 3

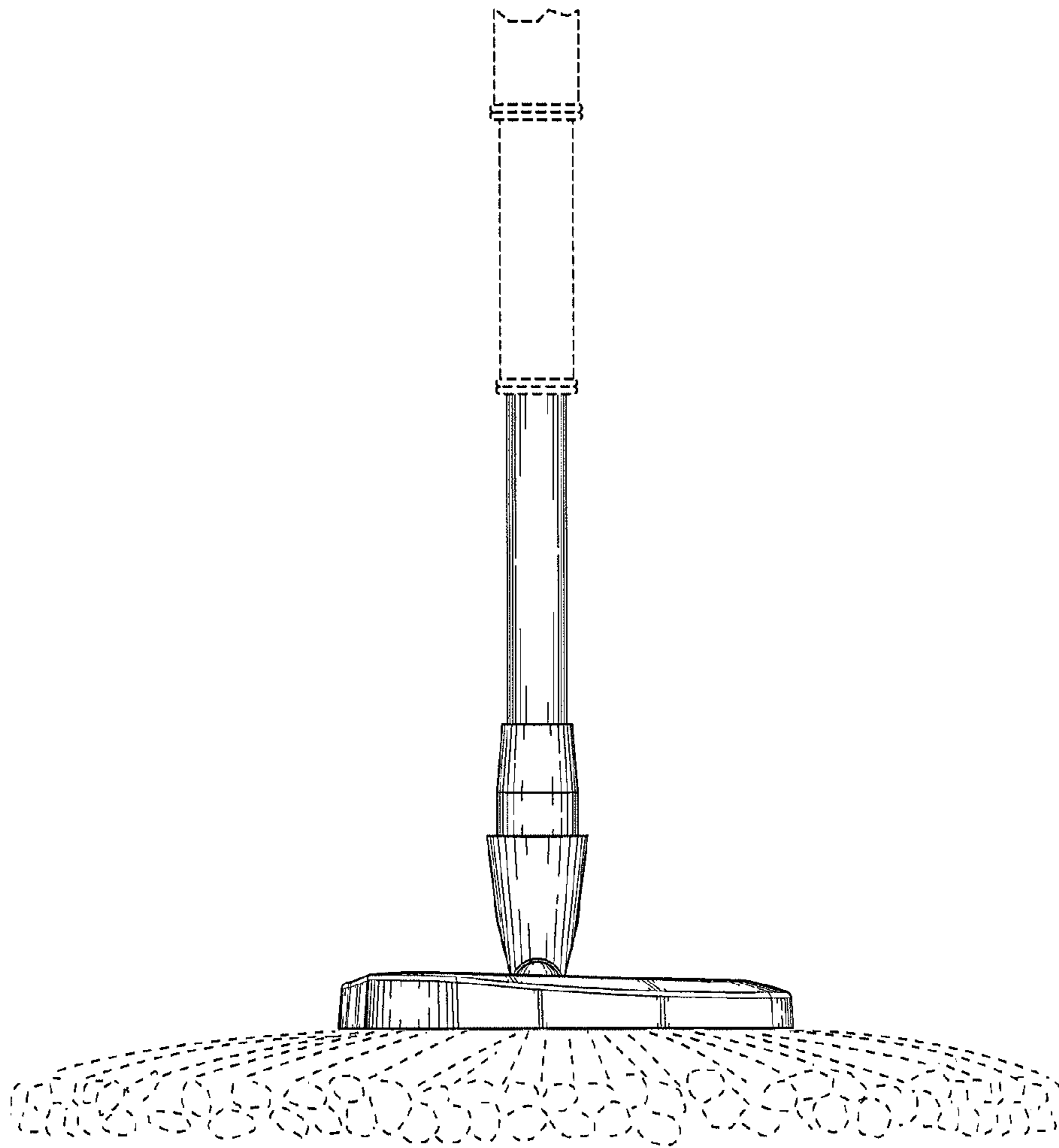


FIG. 4

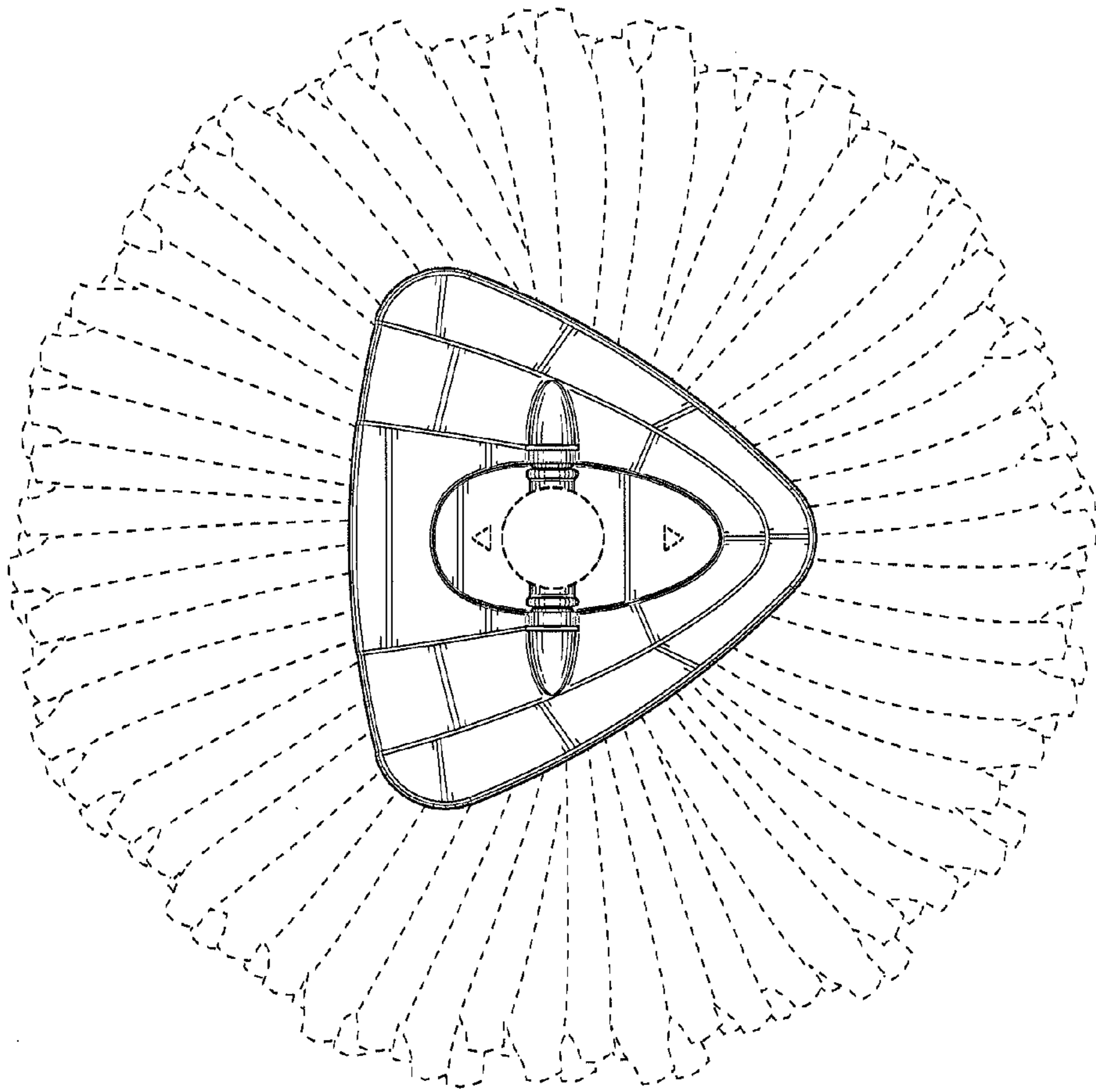


FIG. 5

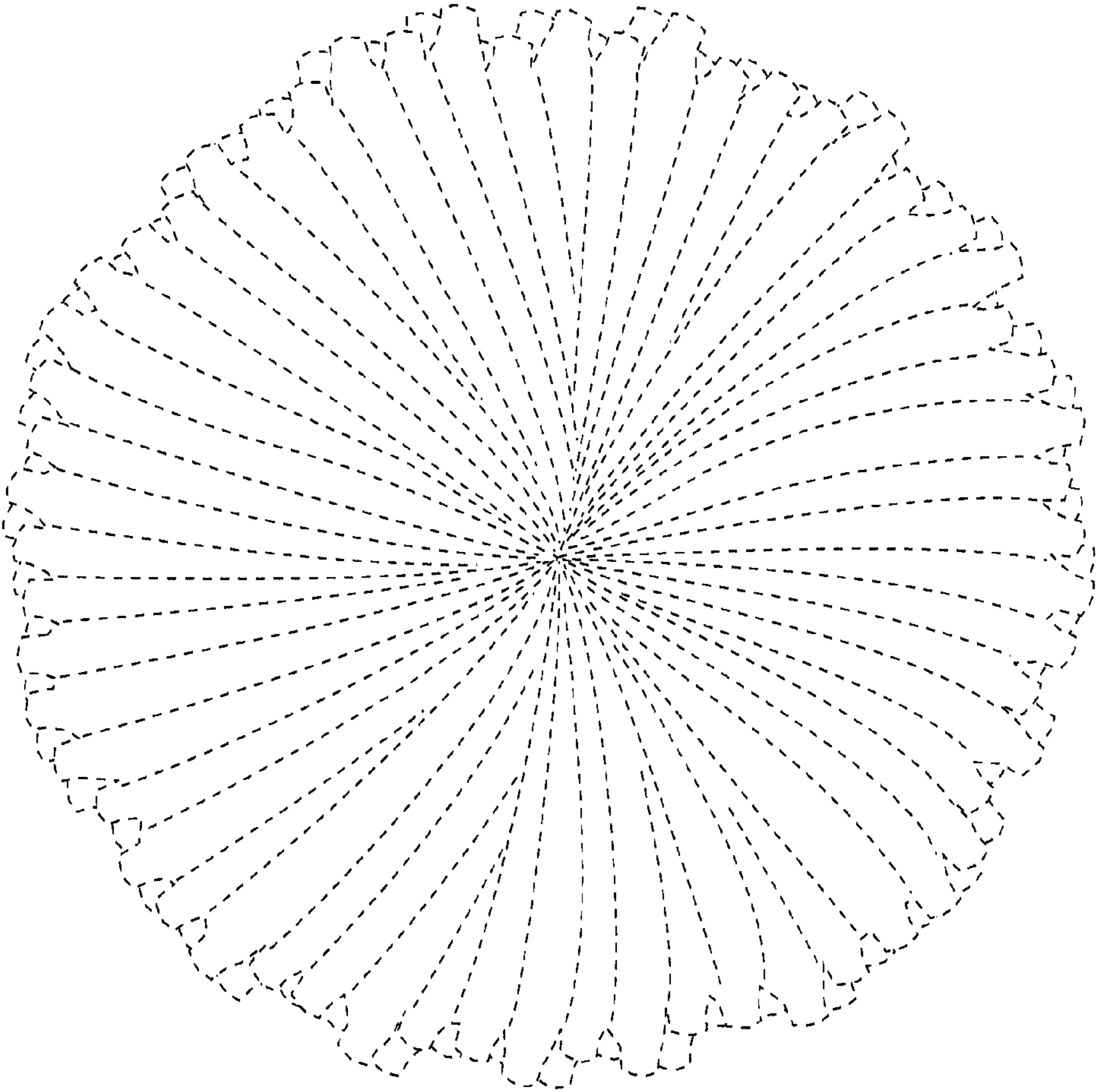


FIG. 6

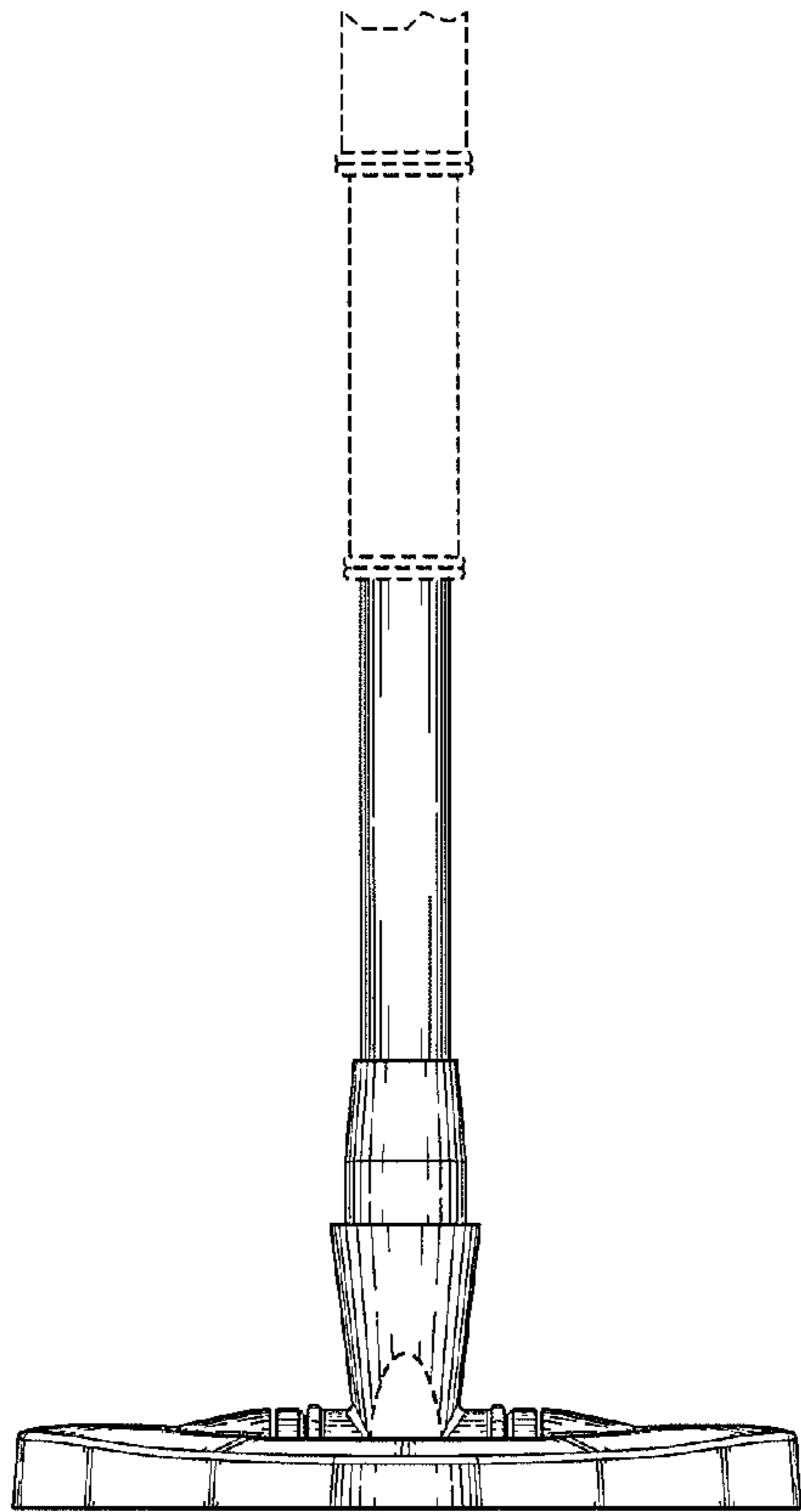


FIG. 7

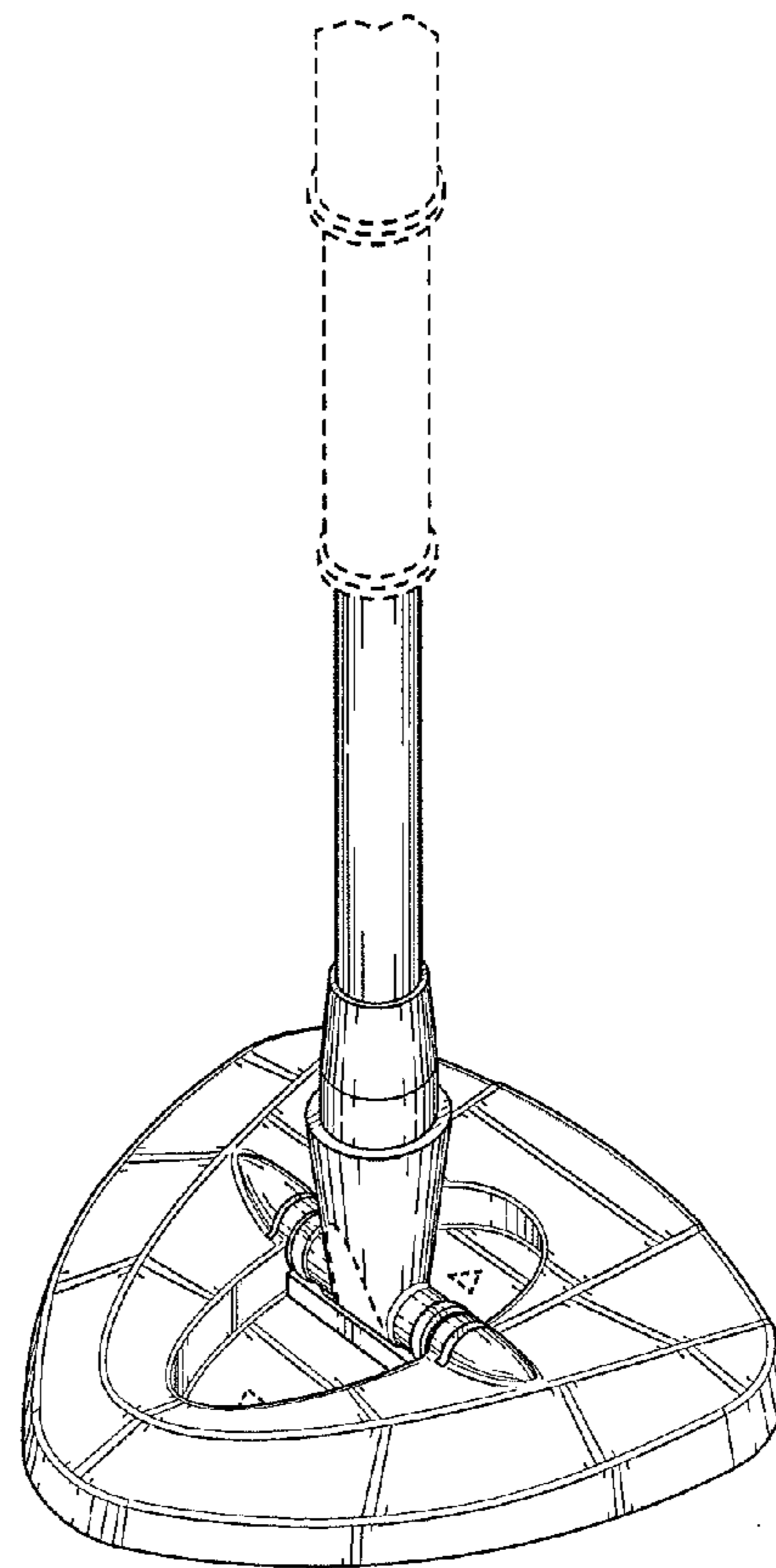


FIG. 8

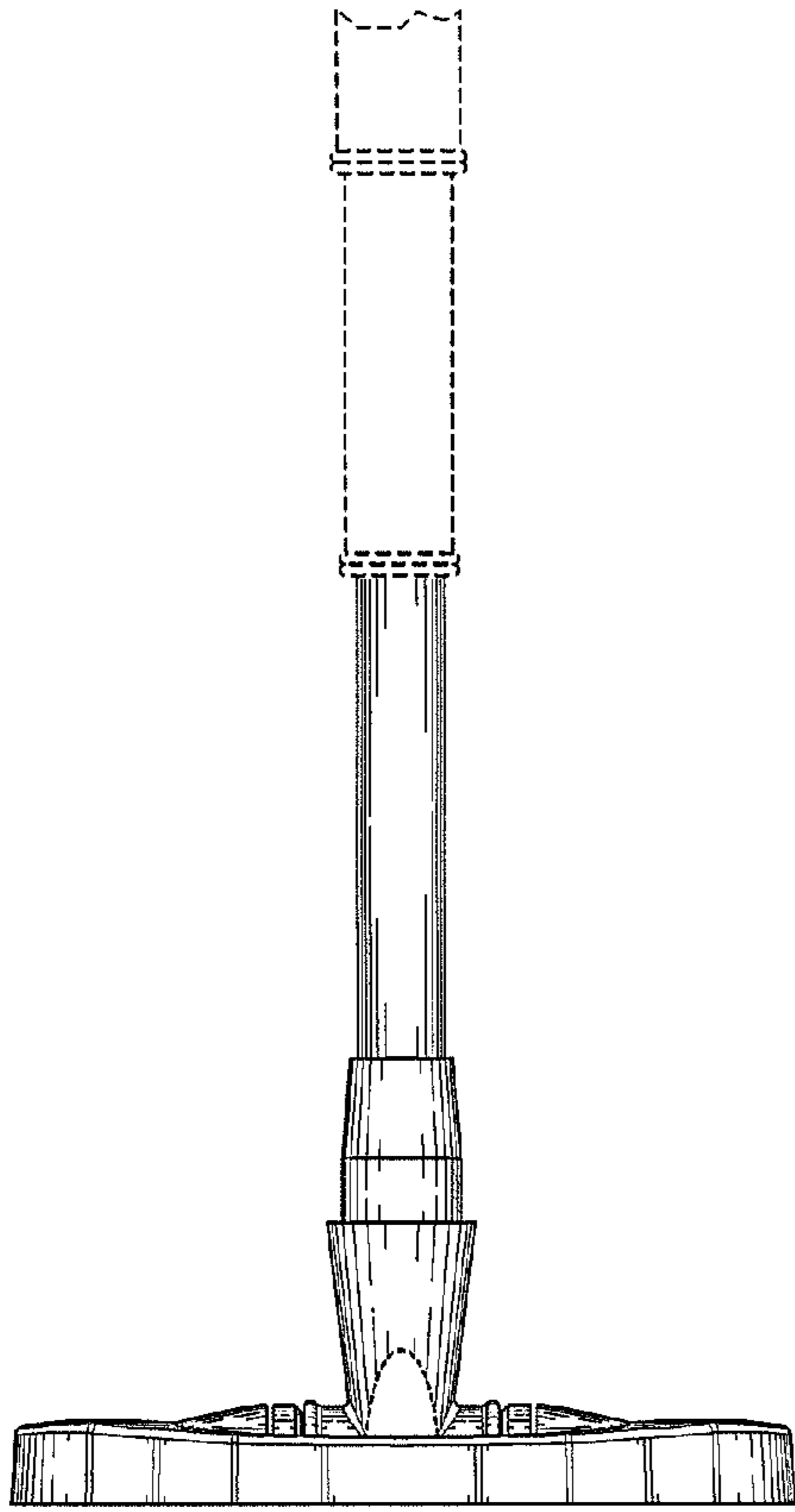


FIG. 9

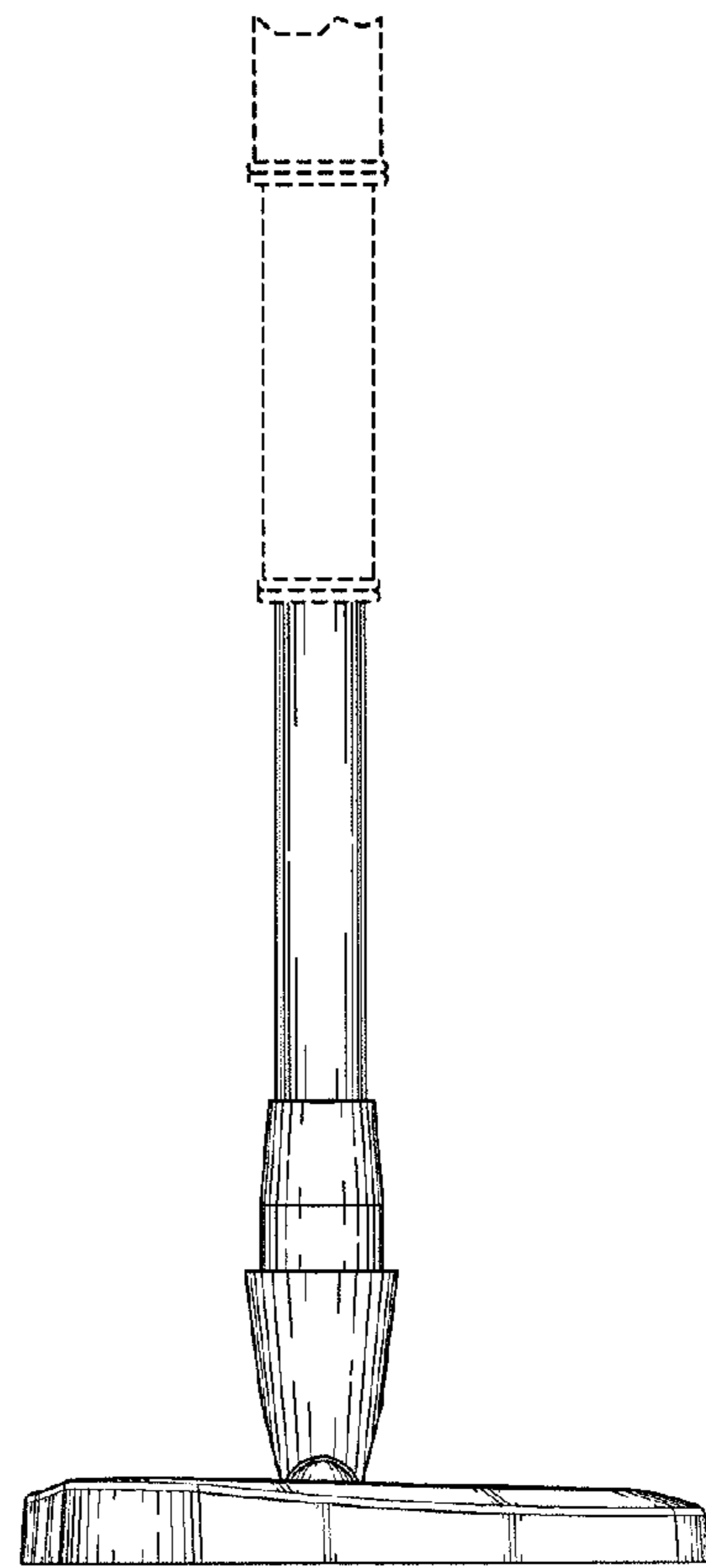


FIG. 10

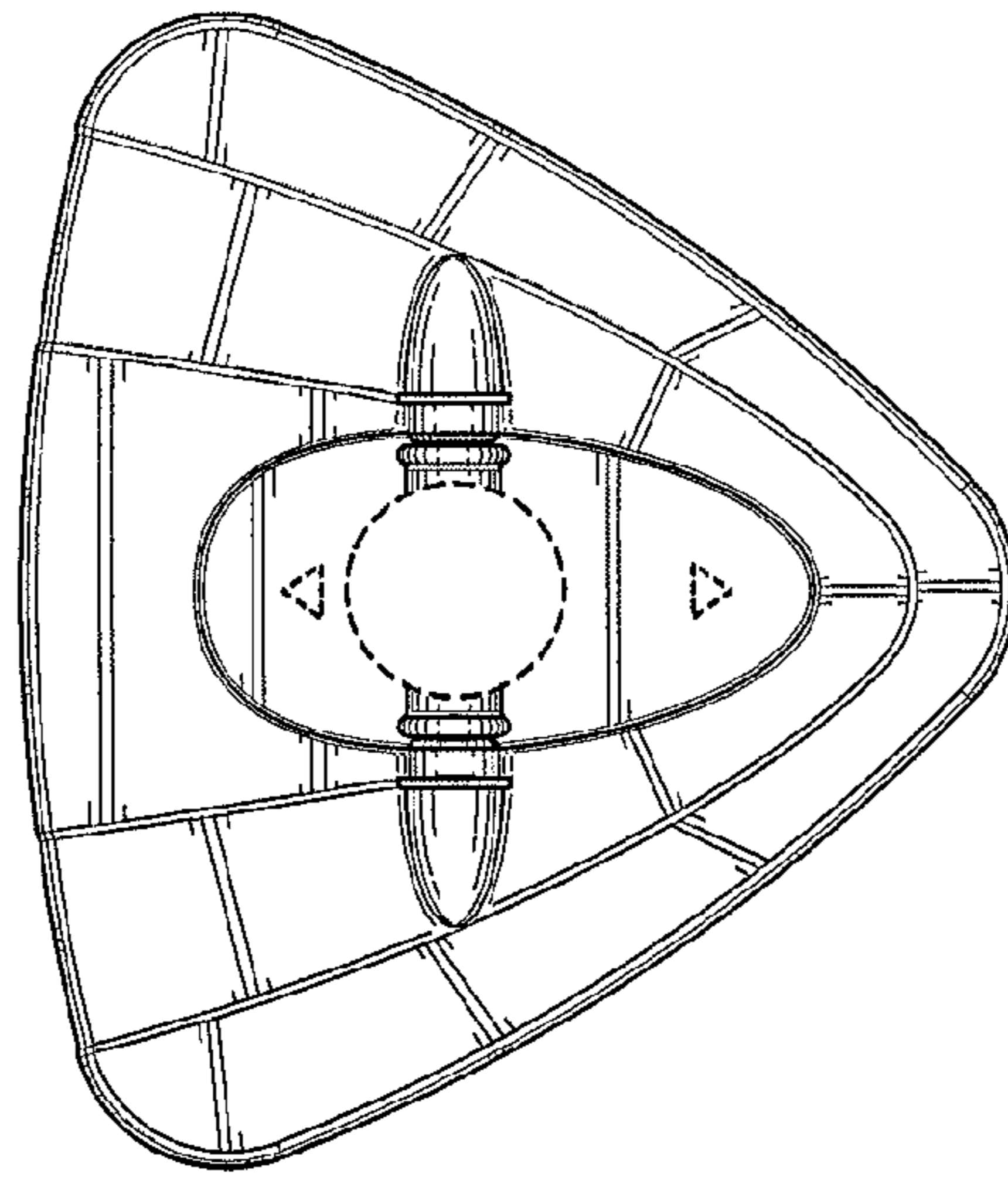


FIG. 11

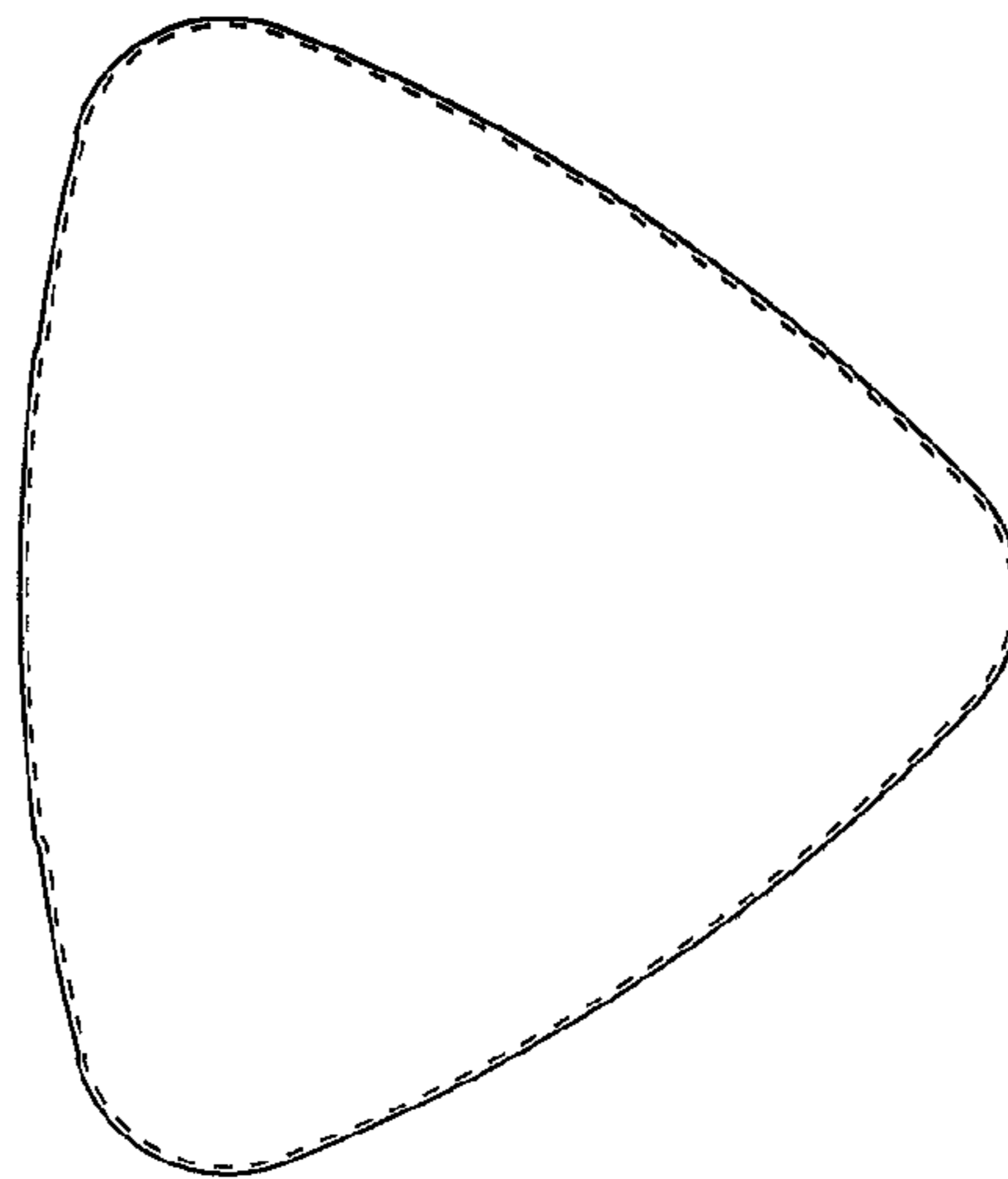


FIG. 12