



US00D721460S

(12) **United States Design Patent**  
**Hanan et al.**

(10) **Patent No.:** **US D721,460 S**  
(45) **Date of Patent:** **\*\* Jan. 20, 2015**

(54) **POOL CLEANING VEHICLE**

- (71) Applicant: **Aqua Products, Inc.**, Cedar Grove, NJ (US)
- (72) Inventors: **Ethan Hanan**, Teaneck, NJ (US); **Kamesh Durvasula**, Lyndhurst, NJ (US); **William Londono Correa**, Bloomfield, NJ (US); **Aleksandr Klebanov**, Bloomfield, NJ (US); **Jason Zerweck**, Media, PA (US); **Tony Gatta**, Longano (IT)
- (73) Assignee: **Aqua Products, Inc.**, Cedar Grove, NJ (US)
- (\*\*) Term: **14 Years**
- (21) Appl. No.: **29/449,166**
- (22) Filed: **Mar. 14, 2013**

**Related U.S. Application Data**

- (63) Continuation-in-part of application No. 13/681,918, filed on Nov. 20, 2012.
- (51) **LOC (10) Cl.** ..... **15-05**
- (52) **U.S. Cl.**  
USPC ..... **D32/21**
- (58) **Field of Classification Search**  
USPC ..... D32/18, 21, 22, 31; 15/1, 7, 344;  
210/167.1, 241, 167.12, 167.15,  
210/167.16

See application file for complete search history.

(56) **References Cited**

U.S. PATENT DOCUMENTS

D418,640	S	*	1/2000	Veloskey et al.	.....	D32/1
D421,512	S	*	3/2000	Campbell	.....	D32/1
D445,225	S	*	7/2001	Schaub	.....	D32/15
D471,330	S	*	3/2003	Campbell	.....	D32/21
D575,915	S	*	8/2008	Dreyer	.....	D32/15
D598,168	S	*	8/2009	Sumonthee	.....	D32/21
D599,967	S	*	9/2009	Blanc-Tailleur	.....	D32/1
D630,808	S	*	1/2011	Dye et al.	.....	D32/21
8,117,704	B2	*	2/2012	Schneider et al.	.....	15/1.7
8,141,191	B2	*	3/2012	Hui	.....	15/1.7
8,555,445	B2	*	10/2013	Fu et al.	.....	15/1.7
8,595,880	B2	*	12/2013	Pichon et al.	.....	15/1.7
2011/0302728	A1	*	12/2011	Sumonthee	.....	15/1.7
2012/0102664	A1	*	5/2012	Hui et al.	.....	15/1.7
2012/0279001	A1	*	11/2012	Fu et al.	.....	15/1.7
2013/0091641	A1	*	4/2013	Ben Zion	.....	15/1.7

\* cited by examiner

*Primary Examiner* — Ruth McInroy

(74) *Attorney, Agent, or Firm* — Rathe Lindenbaum LLP

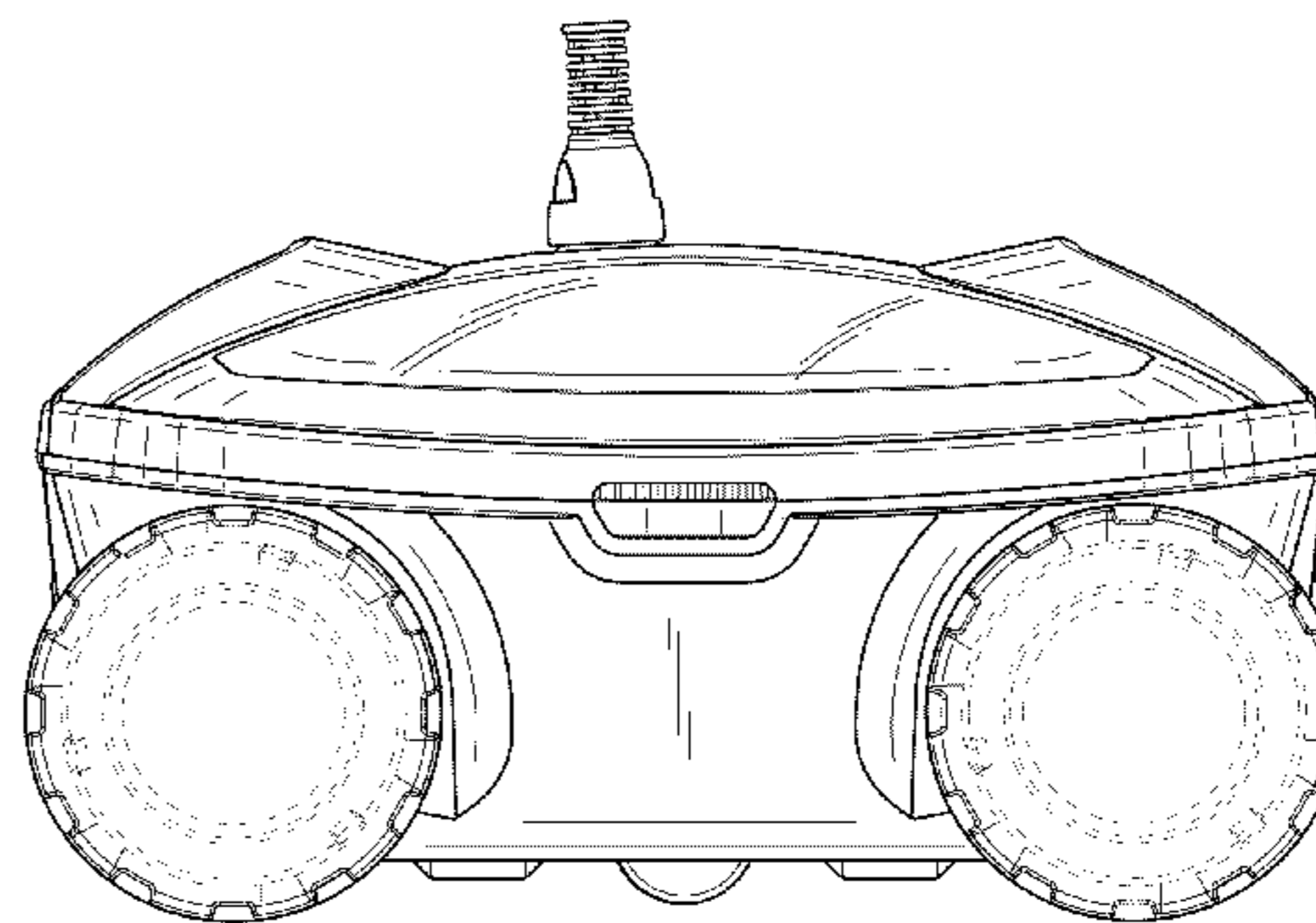
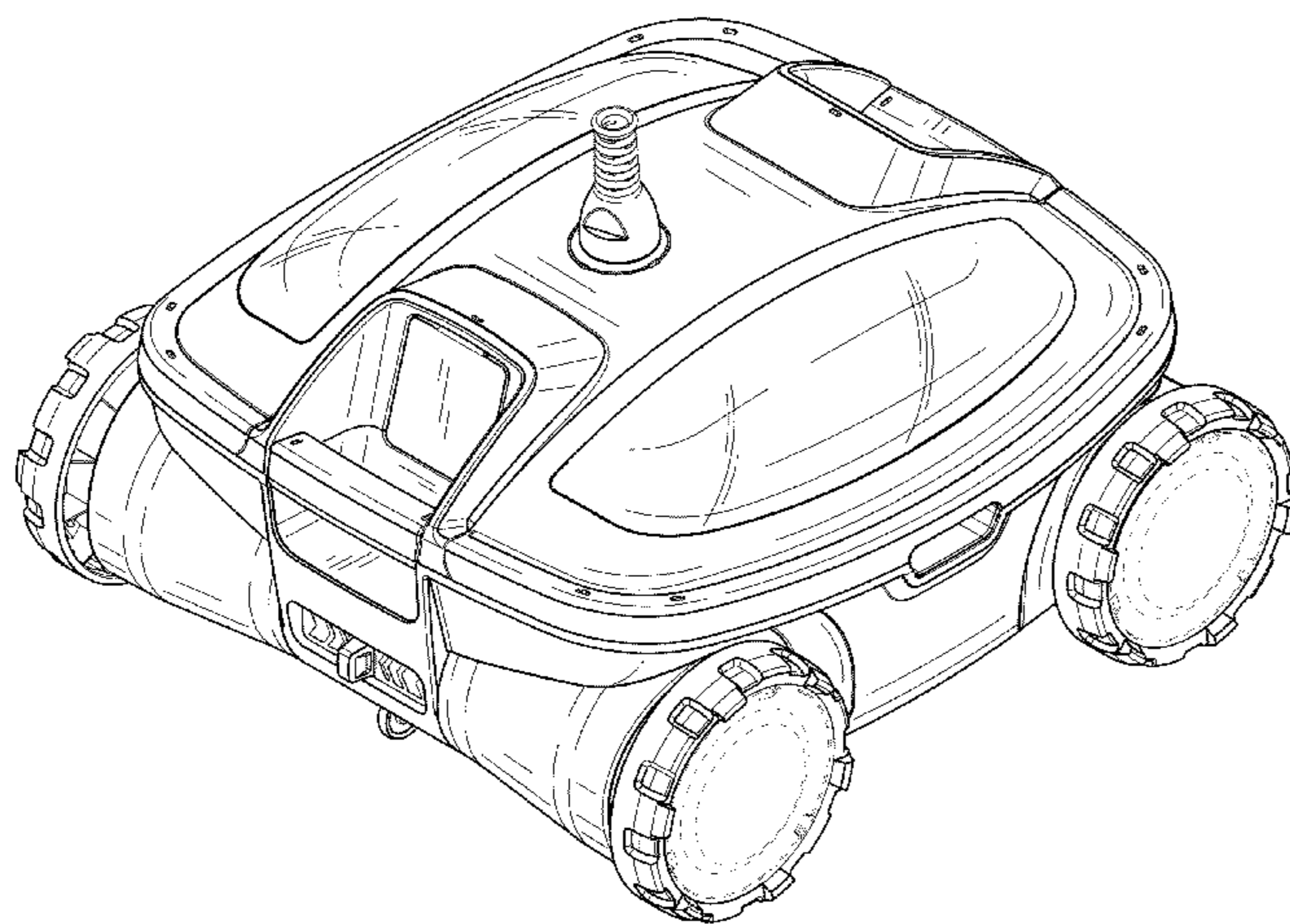
(57) **CLAIM**

We claim the ornamental design for a pool cleaning vehicle, as shown and described.

**DESCRIPTION**

FIG. 1 is a front perspective view of a pool cleaning vehicle showing our new design;  
 FIG. 2 is a side view thereof;  
 FIG. 3 is a front view thereof;  
 FIG. 4 is a rear view thereof; and,  
 FIG. 5 is a top view thereof.  
 The details shown in broken lines form no part of the claimed design.

**1 Claim, 5 Drawing Sheets**



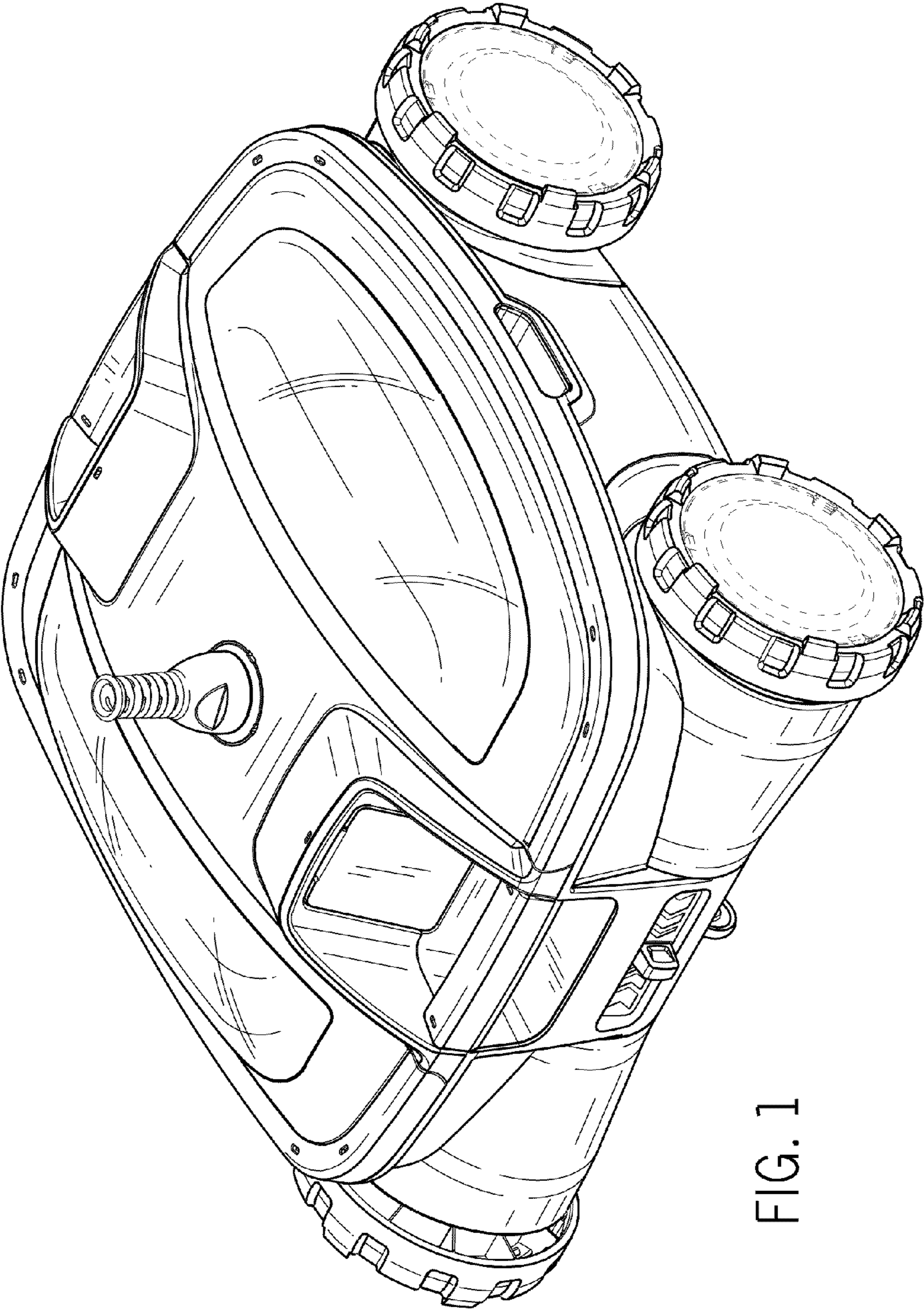


FIG. 1

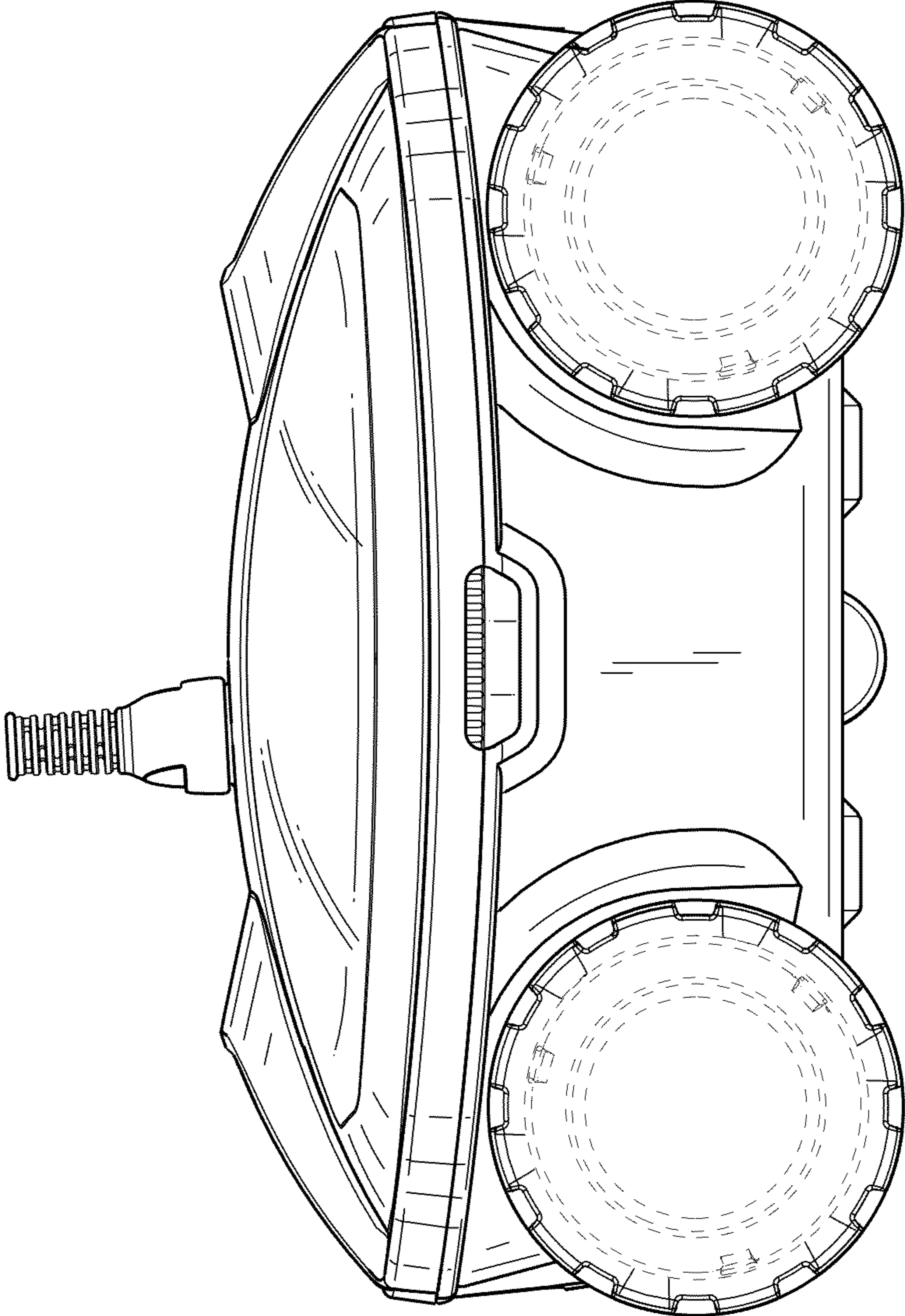


FIG. 2

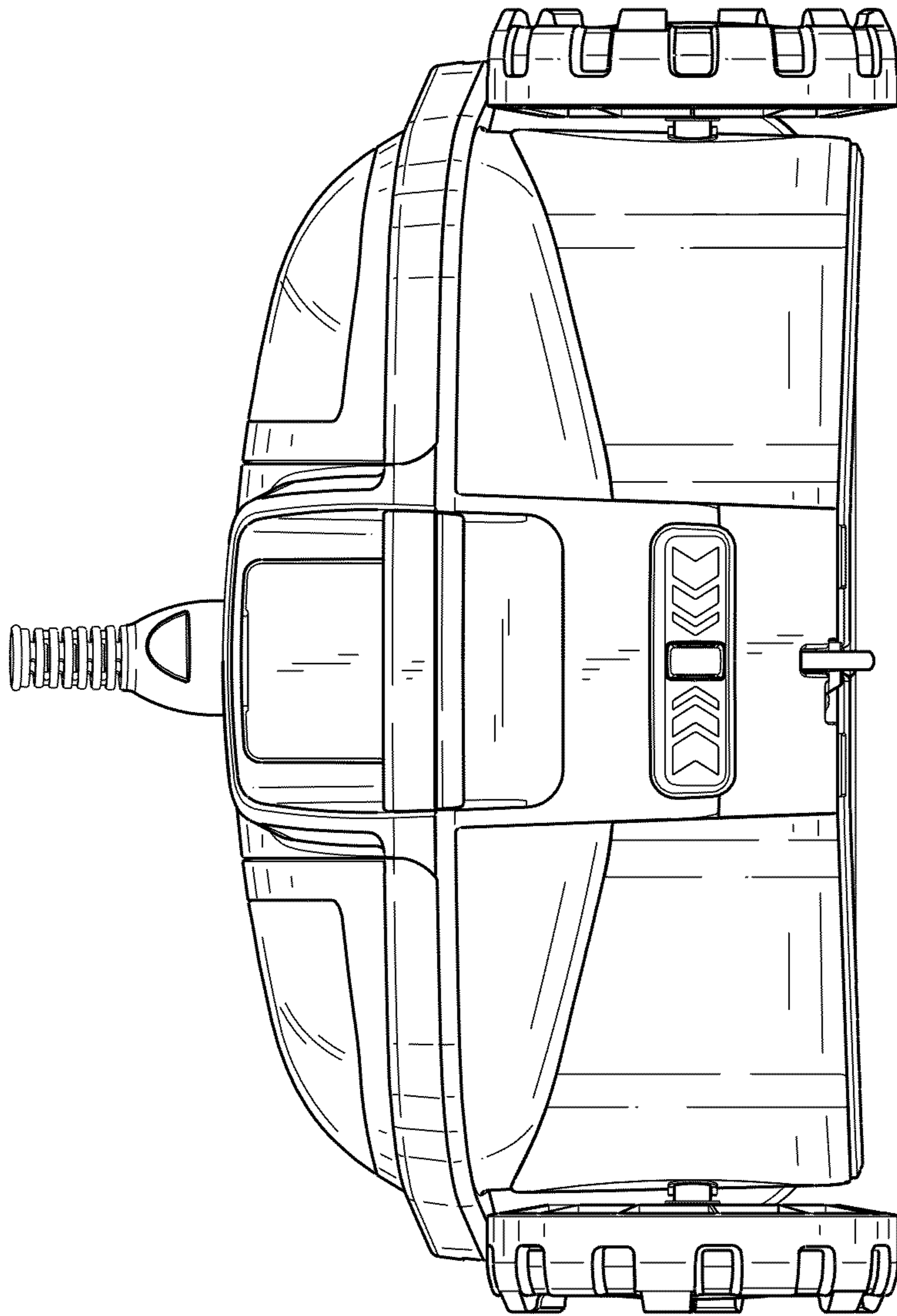


FIG. 3

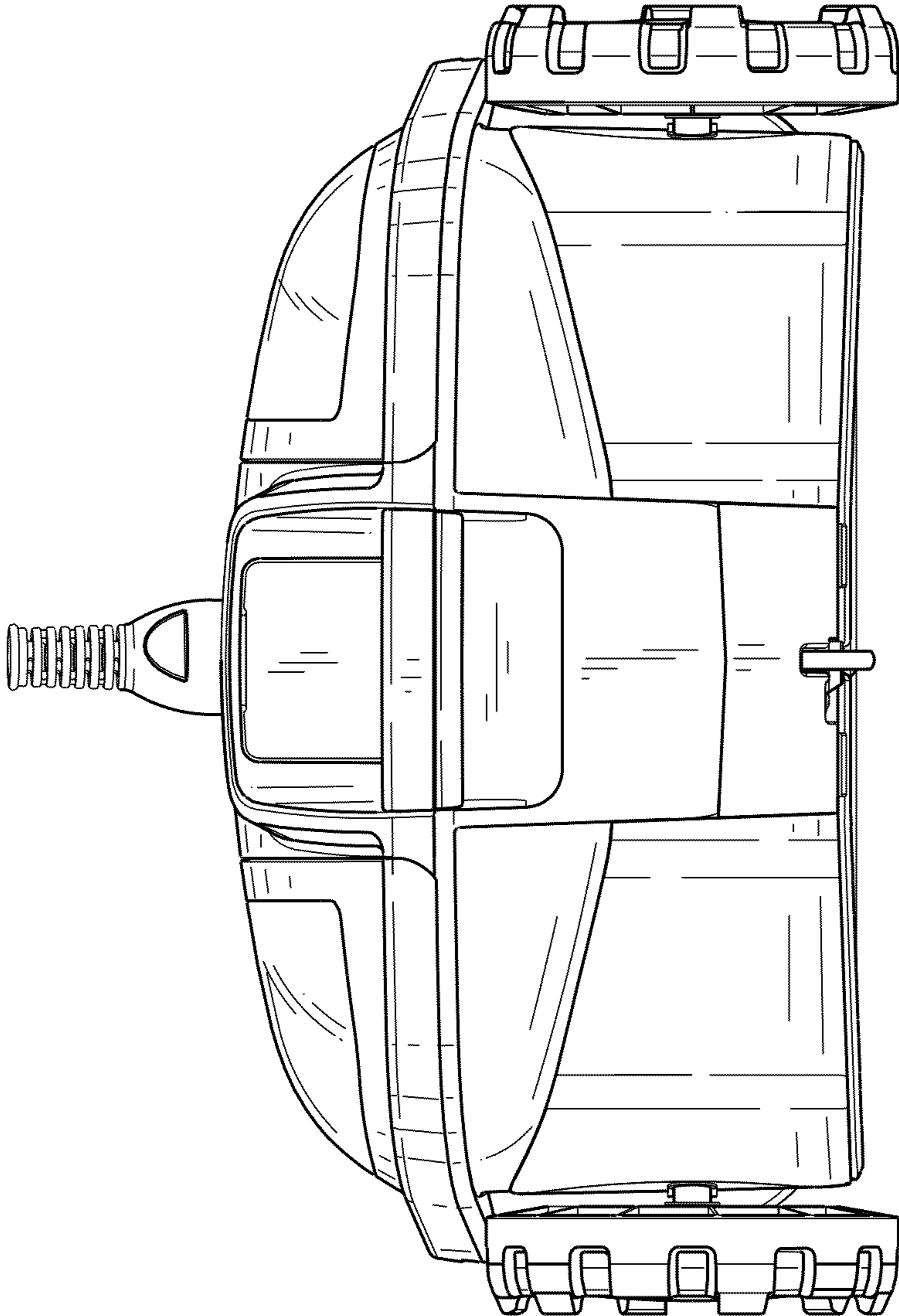


FIG. 4

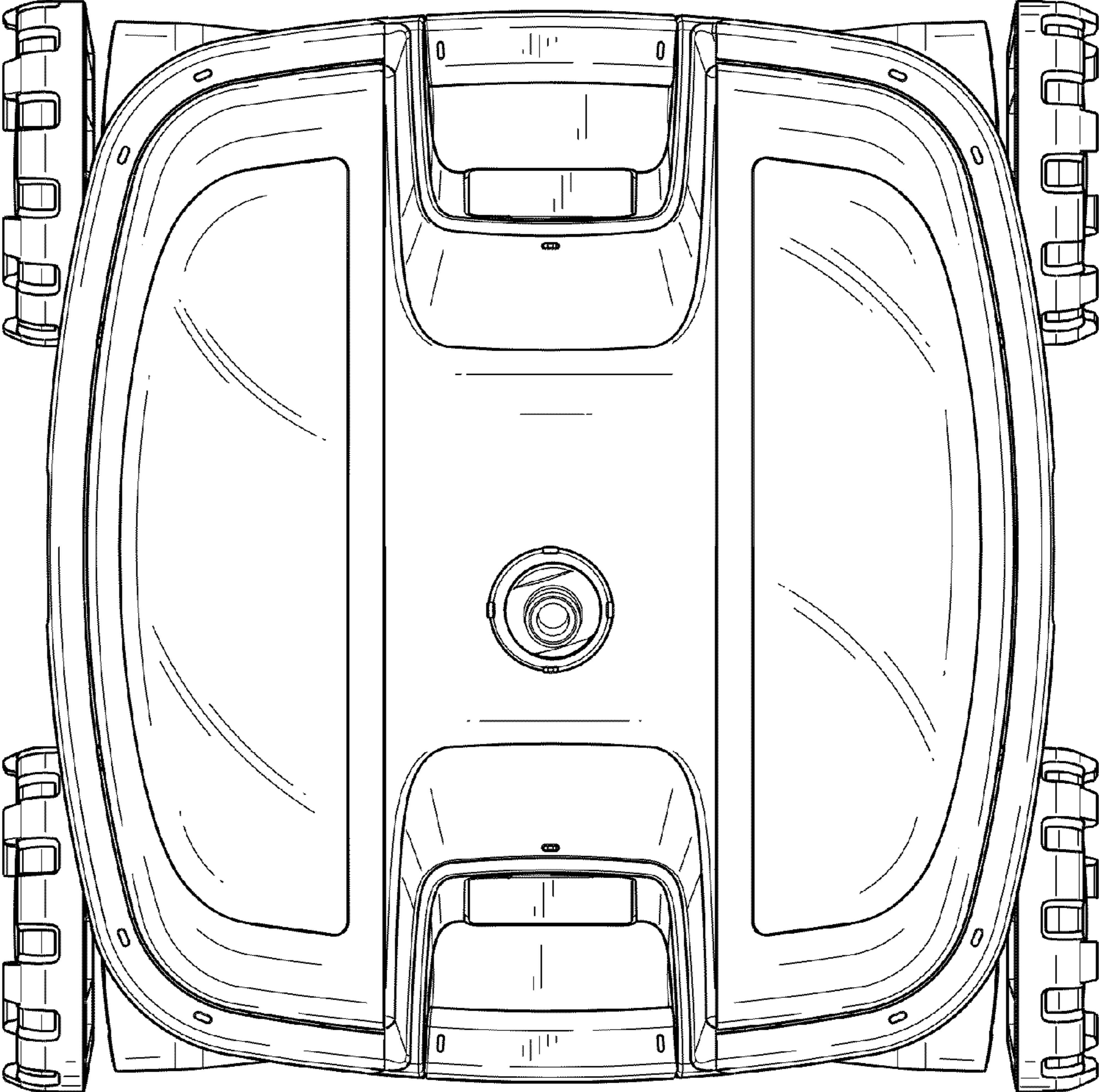


FIG. 5