



US00D721458S

(12) **United States Design Patent**
Votel et al.

(10) **Patent No.:** **US D721,458 S**
(45) **Date of Patent:** **** Jan. 20, 2015**

(54) **BRIM AND NECK SHADE WITH STRAPS**

(56) **References Cited**

(71) Applicant: **Tenacious Holdings, Inc.**, St. Paul, MN (US)

U.S. PATENT DOCUMENTS

(72) Inventors: **Thomas Votel**, Sunfish Lake, MN (US);
Chelsea Votel, Minneapolis, MN (US)

5,664,261 A *	9/1997	Lacy	2/172
5,701,609 A *	12/1997	Bridges	2/422
7,406,721 B2 *	8/2008	Husbands et al.	2/172
D619,788 S *	7/2010	Lacy	D2/879
D627,521 S *	11/2010	Lofton	D29/122
D691,350 S *	10/2013	Pearson	D2/882

(73) Assignee: **Tenacious Holdings, Inc.**, St. Paul, MN (US)

* cited by examiner

(**) Term: **14 Years**

Primary Examiner — Randall Gholson

(21) Appl. No.: **29/497,400**

(74) *Attorney, Agent, or Firm* — Skaar Ulbrich Macari, P.A.

(22) Filed: **Jul. 24, 2014**

(57) **CLAIM**

(51) **LOC (10) Cl.** **29-02**

We claim the ornamental design for a brim and neck shade with straps, as shown and described.

(52) **U.S. Cl.**

DESCRIPTION

USPC **D29/122**

(58) **Field of Classification Search**

USPC D29/102–107, 109, 111, 122; 2/6.1, 2/6.3, 6.5, 6.7, 414, 421–425, 427, 468, 2/209.13, 175.6, 184.5, 10; D2/882, 886, D2/893

FIG. 1 is a left side top front perspective view of our new design for a brim and neck shade with straps.

FIG. 2 is a left side view thereof.

FIG. 3 is a front view thereof.

FIG. 4 is a rear view thereof.

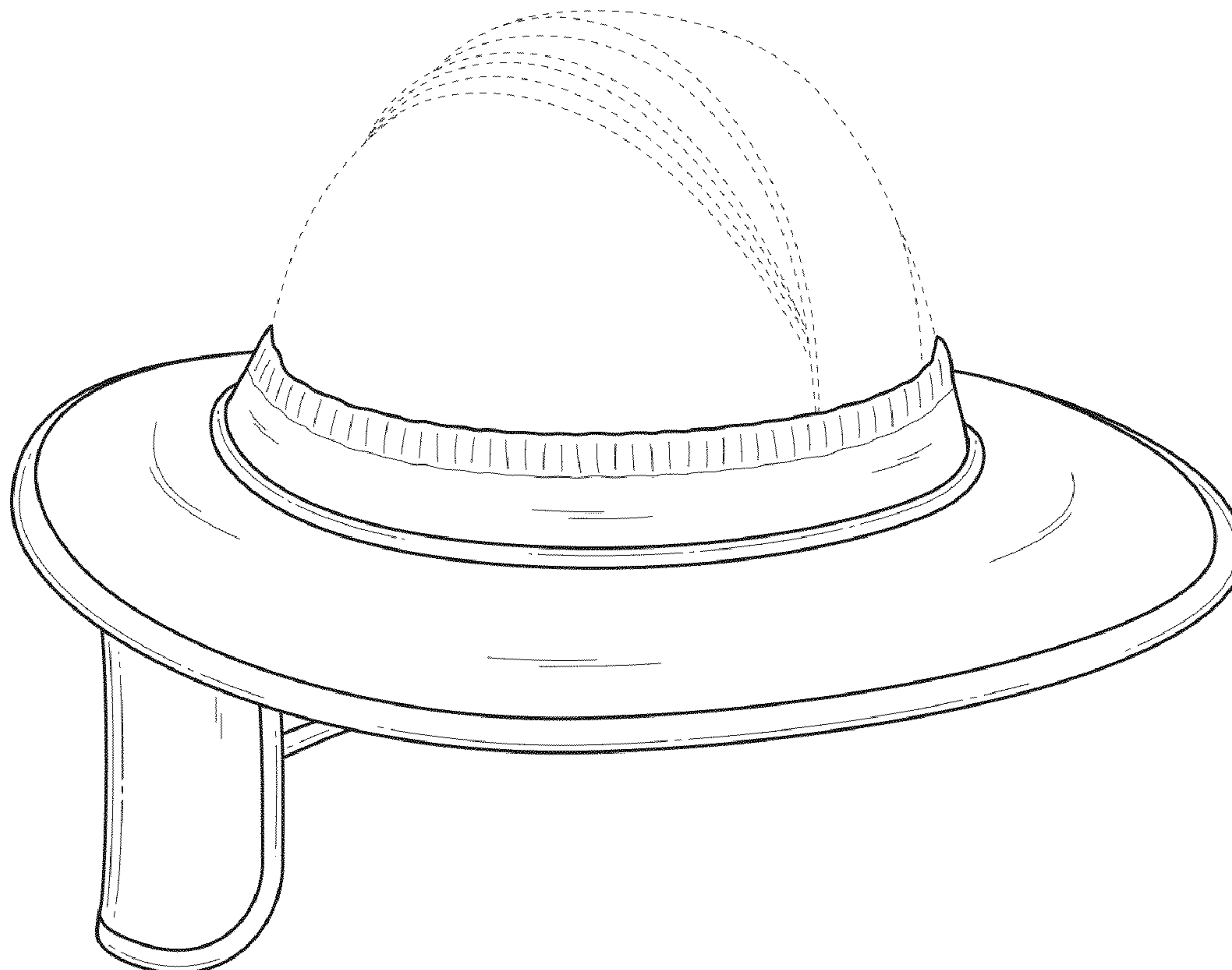
FIG. 5 is a top view thereof; and,

FIG. 6 is a bottom view thereof.

The broken lines shown in the drawings show unclaimed subject matter only and form no part of the claimed design.

See application file for complete search history.

1 Claim, 4 Drawing Sheets



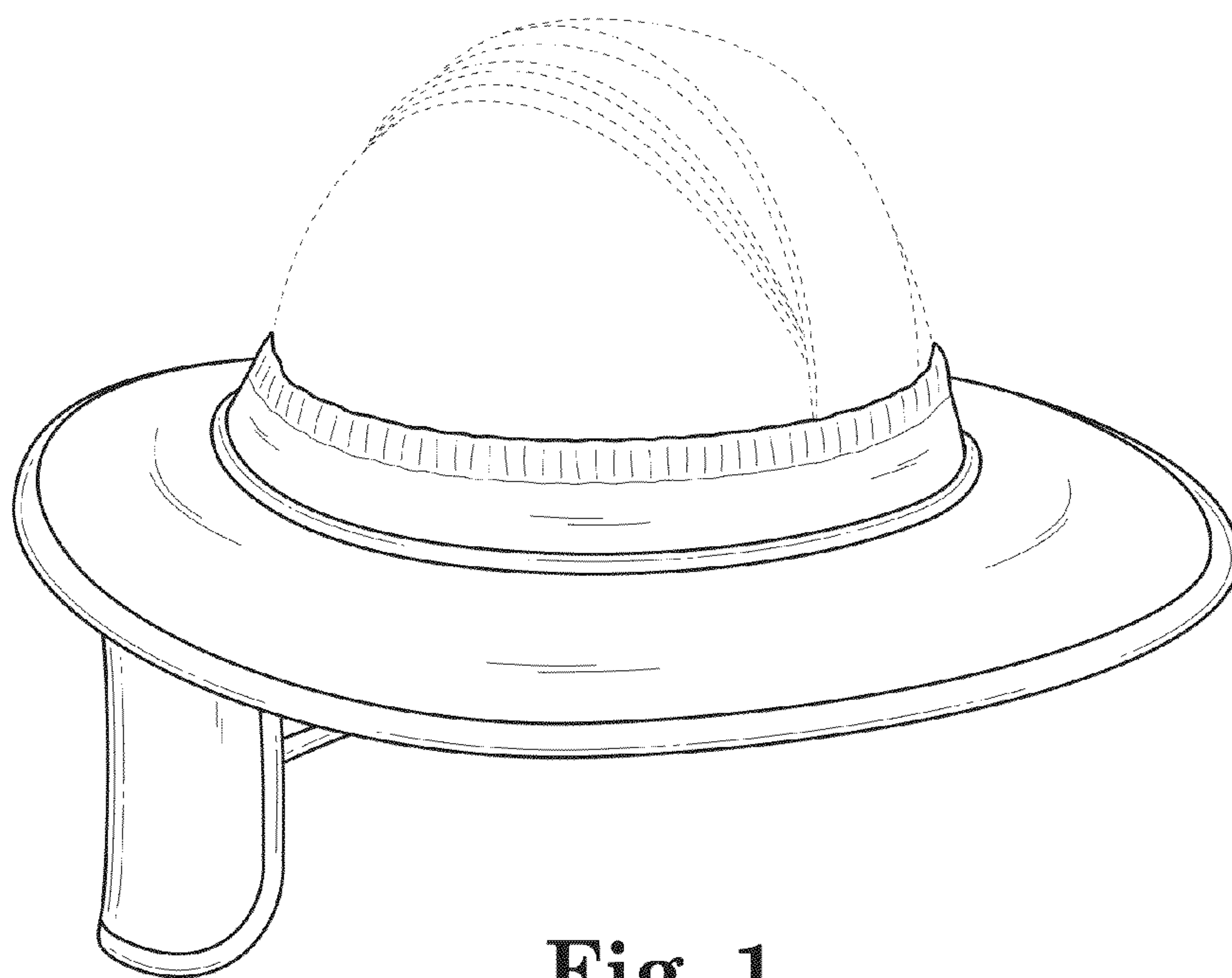


Fig. 1

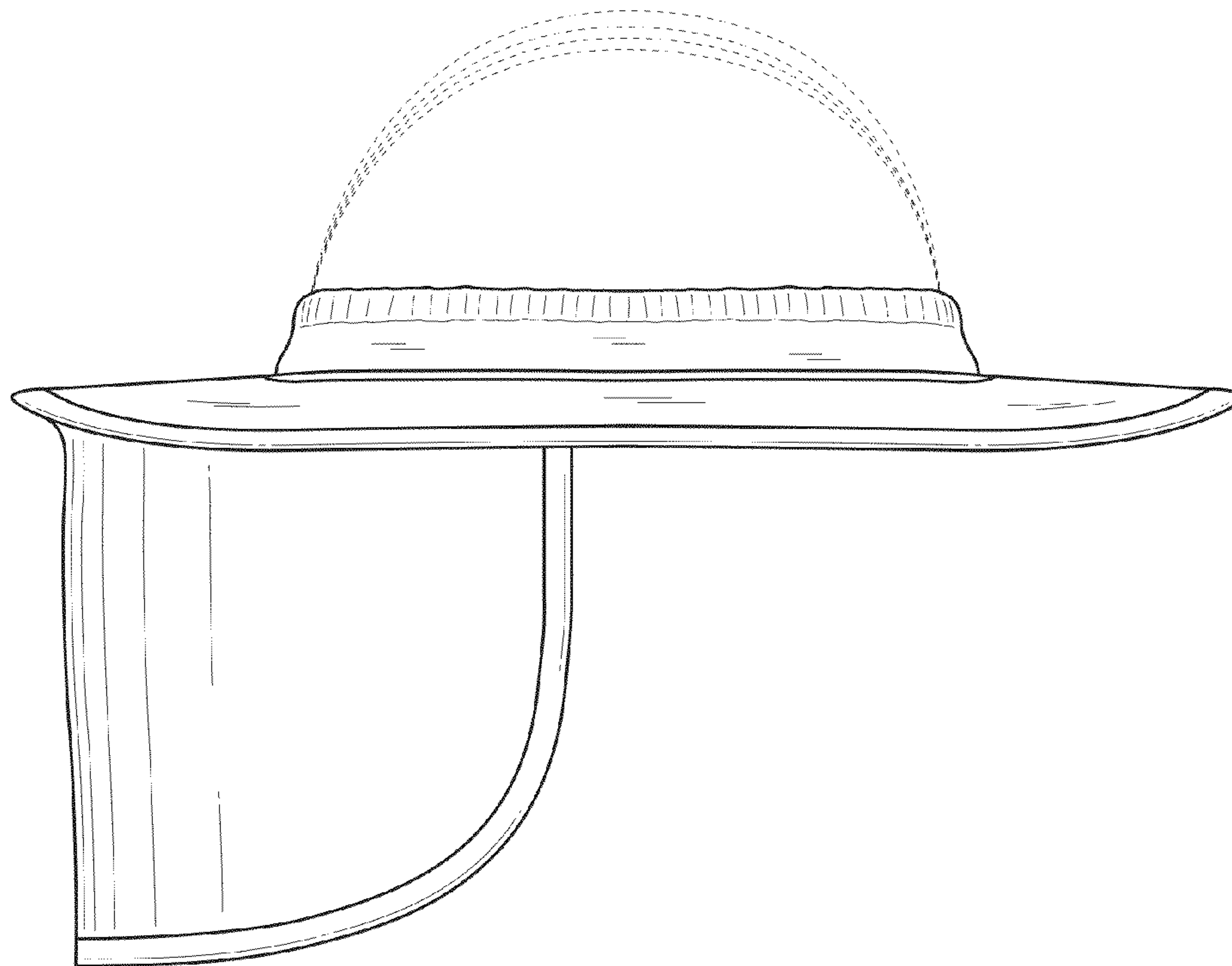


Fig. 2

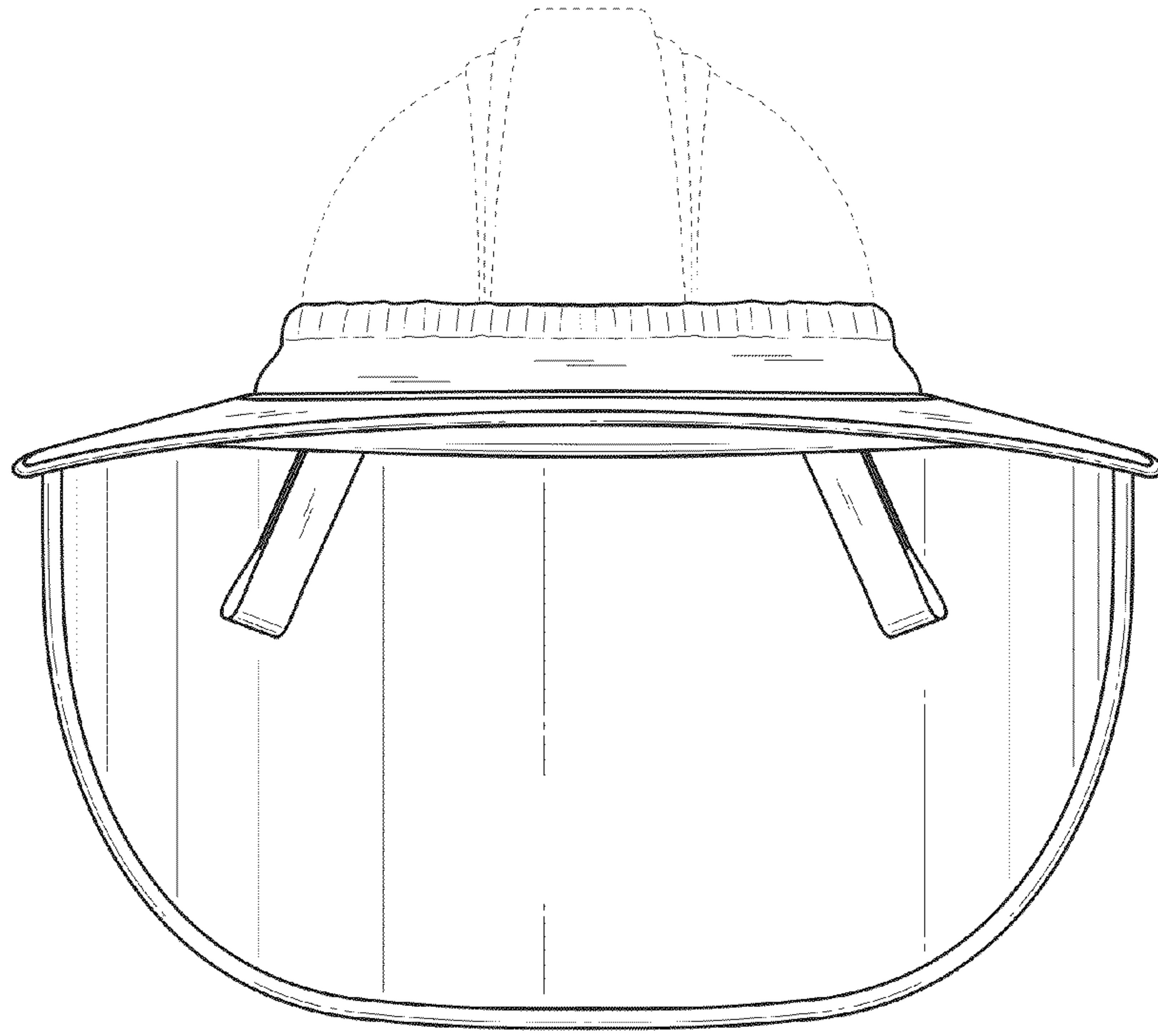


Fig. 3

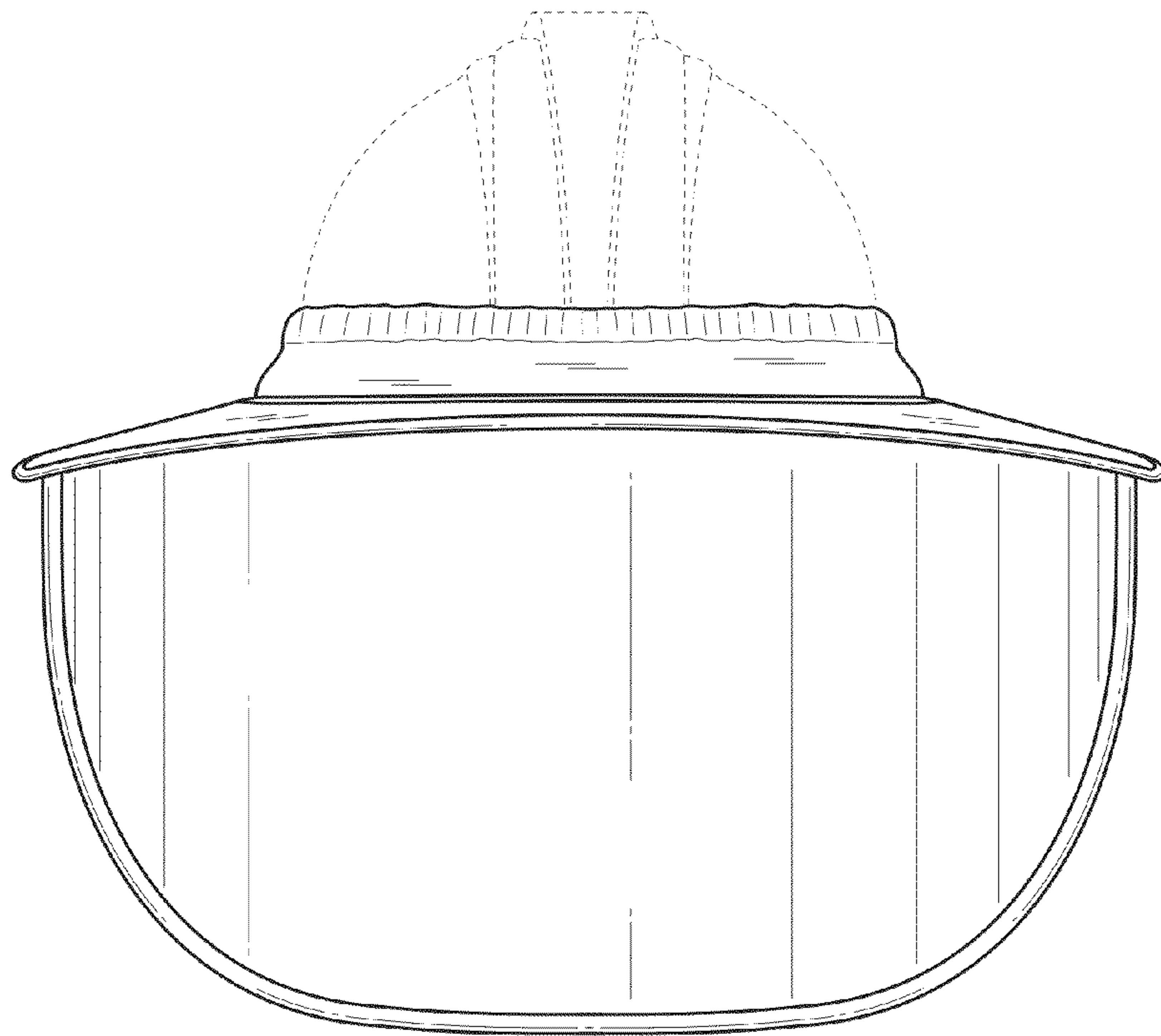


Fig. 4

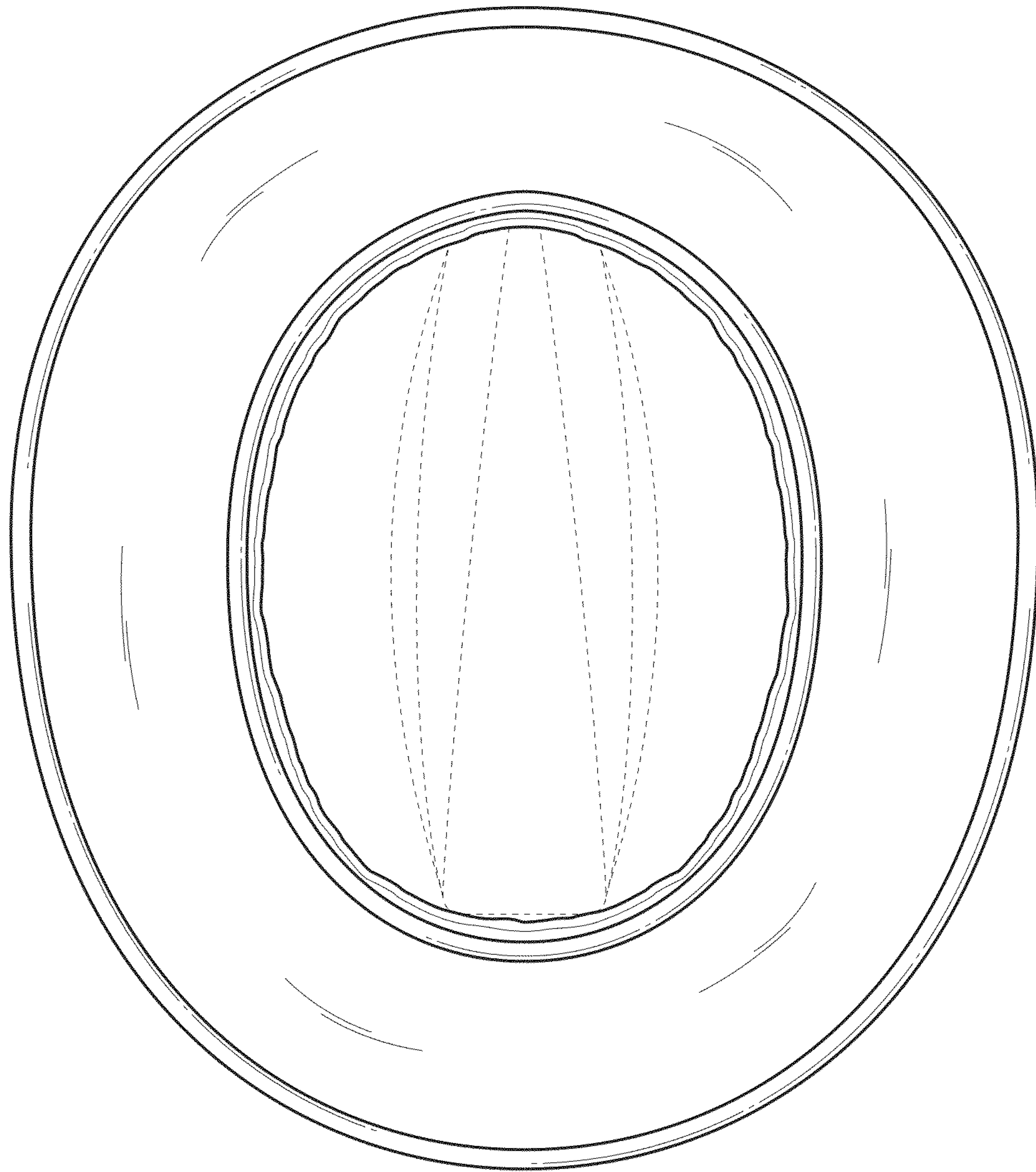


Fig. 5

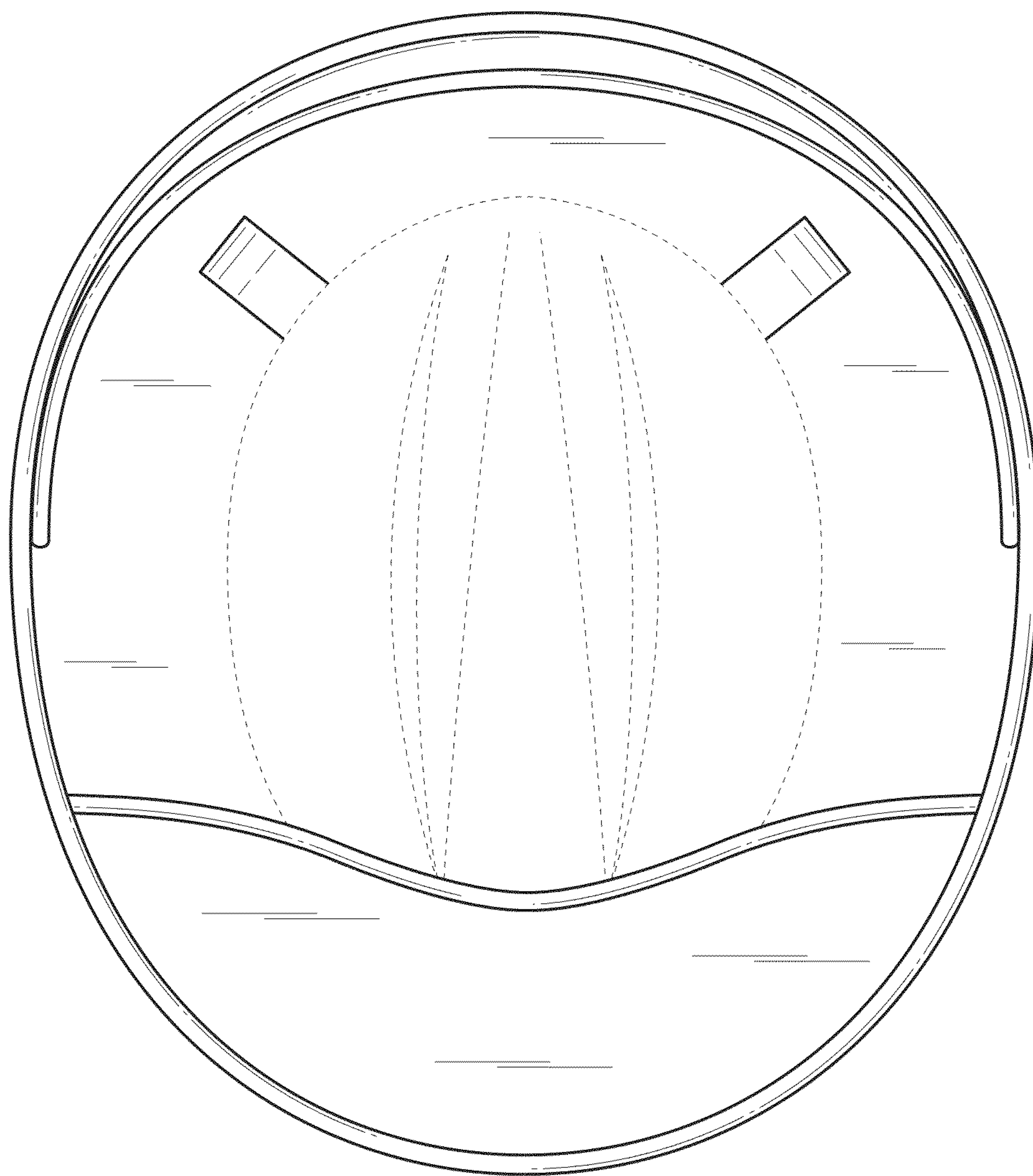


Fig. 6