



US00D721457S

(12) **United States Design Patent**
Milea et al.

(10) **Patent No.:** **US D721,457 S**
(45) **Date of Patent:** **** Jan. 20, 2015**

(54) **MOUNT ARM**

(71) Applicant: **Gentex Corporation**, Carbondale, PA (US)

(72) Inventors: **Eduard Milea**, Irvine, CA (US); **David Rogers**, Boston, MA (US); **Desmond Walsh**, Duxbury, MA (US)

(73) Assignee: **Gentex Corporation**, Simpson, PA (US)

(**) Term: **14 Years**

(21) Appl. No.: **29/491,102**

(22) Filed: **May 16, 2014**

(51) **LOC (10) Cl.** **29-02**

(52) **U.S. Cl.**
USPC **D29/122**

(58) **Field of Classification Search**
USPC D29/100, 101.1, 102, 103, 105, 106,
D29/108, 111, 122; 2/455, 456, 410, 422,
2/424, 425, 10, 9, 171, 206, 909, 918
See application file for complete search history.

(56) **References Cited**

U.S. PATENT DOCUMENTS

D262,326	S	*	12/1981	Lonnstedt	D29/122
D264,141	S	*	5/1982	Hellberg	D29/122
D276,950	S	*	1/1985	Hellberg	D29/122
D277,237	S	*	1/1985	Lonnstedt	D29/122
5,471,678	A	*	12/1995	Dor	2/6.7
D368,988	S	*	4/1996	Lonnstedt	D29/122
5,581,806	A	*	12/1996	Capdepuy et al.	2/6.2
5,658,065	A	*	8/1997	Jamieson	362/106
6,662,370	B1	*	12/2003	Buchanan, Jr.	2/6.2
6,842,913	B1	*	1/2005	Song	2/424
6,862,748	B2	*	3/2005	Prendergast	2/422
D526,448	S	*	8/2006	Rigler	D29/122
D617,055	S	*	6/2010	Higgins	D29/122
D622,007	S	*	8/2010	Higgins	D29/122

D675,789	S	*	2/2013	Wanhainen	D29/122
D686,373	S	*	7/2013	Isobe	D29/122
D692,620	S	*	10/2013	Gendron	D29/122
2006/0282939	A1	*	12/2006	Rogers et al.	2/422
2010/0012692	A1	*	1/2010	Harris et al.	224/181
2010/0083413	A1	*	4/2010	McGovern	2/6.6

OTHER PUBLICATIONS

BAE Systems to provide new helmet display for F-35 pilots; <http://www.gizmag.com/f-35-helmet-display-bae/20216/picture/145524/>; accessed May 2, 2014.

* cited by examiner

Primary Examiner — Elizabeth J Oswecki

(74) *Attorney, Agent, or Firm* — Morgan, Lewis & Bockius LLP

(57) **CLAIM**

The ornamental design for a mount arm, as shown and described.

DESCRIPTION

FIG. 1 is a front perspective view of a mount arm showing our new design;

FIG. 2 is a front elevational view of the mount arm shown in FIG. 1;

FIG. 3 is a rear elevational view of the mount arm shown in FIG. 1;

FIG. 4 is a right-side elevational view of the mount arm shown in FIG. 1;

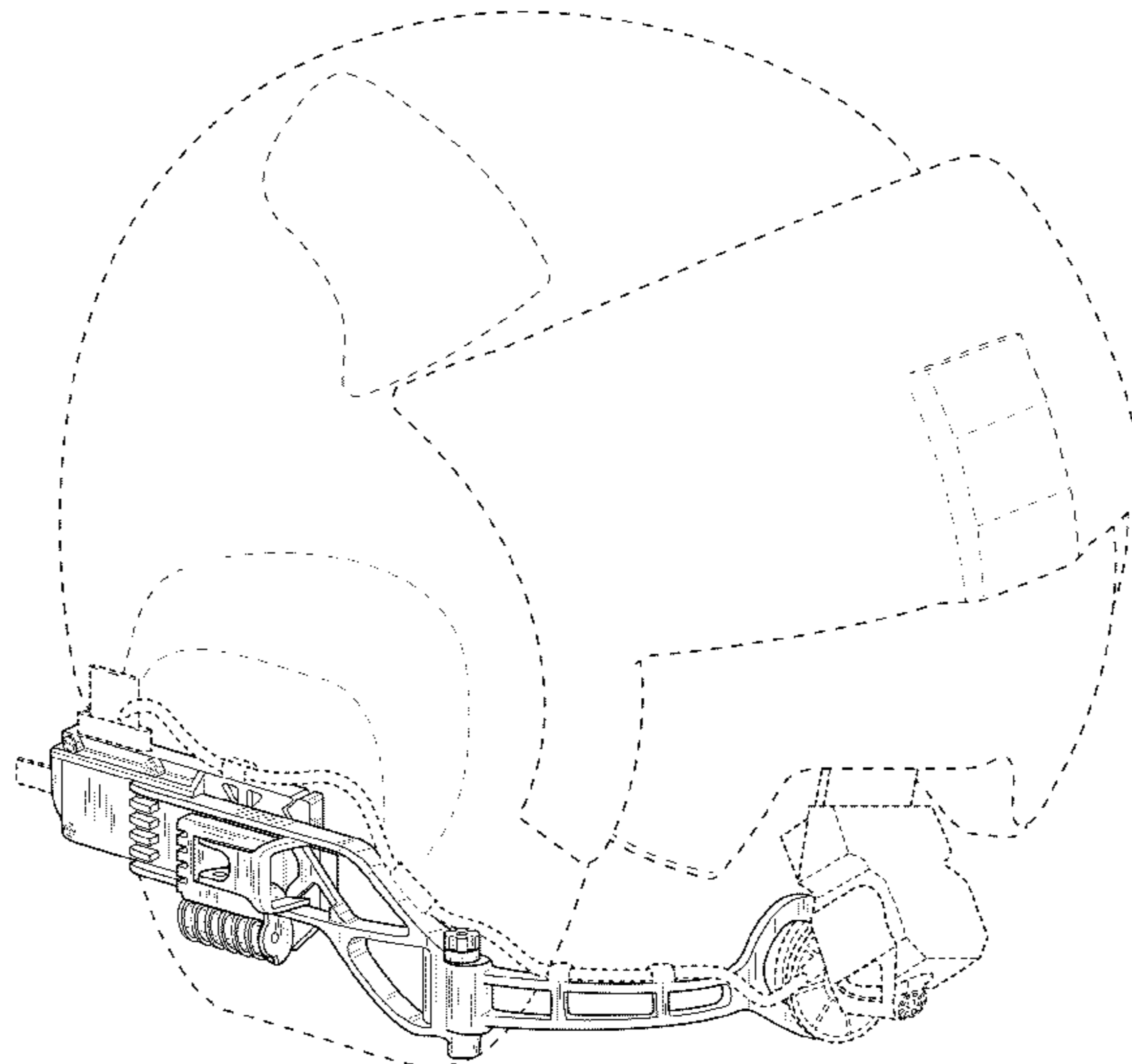
FIG. 5 is a left-side elevational view of the mount arm shown in FIG. 1;

FIG. 6 is a top plan view of the mount arm shown in FIG. 1; and,

FIG. 7 is a bottom plan view of the mount arm shown in FIG. 1.

The broken lines shown in the drawings represent portions of the mount arm that form no part of the claimed design.

1 Claim, 7 Drawing Sheets



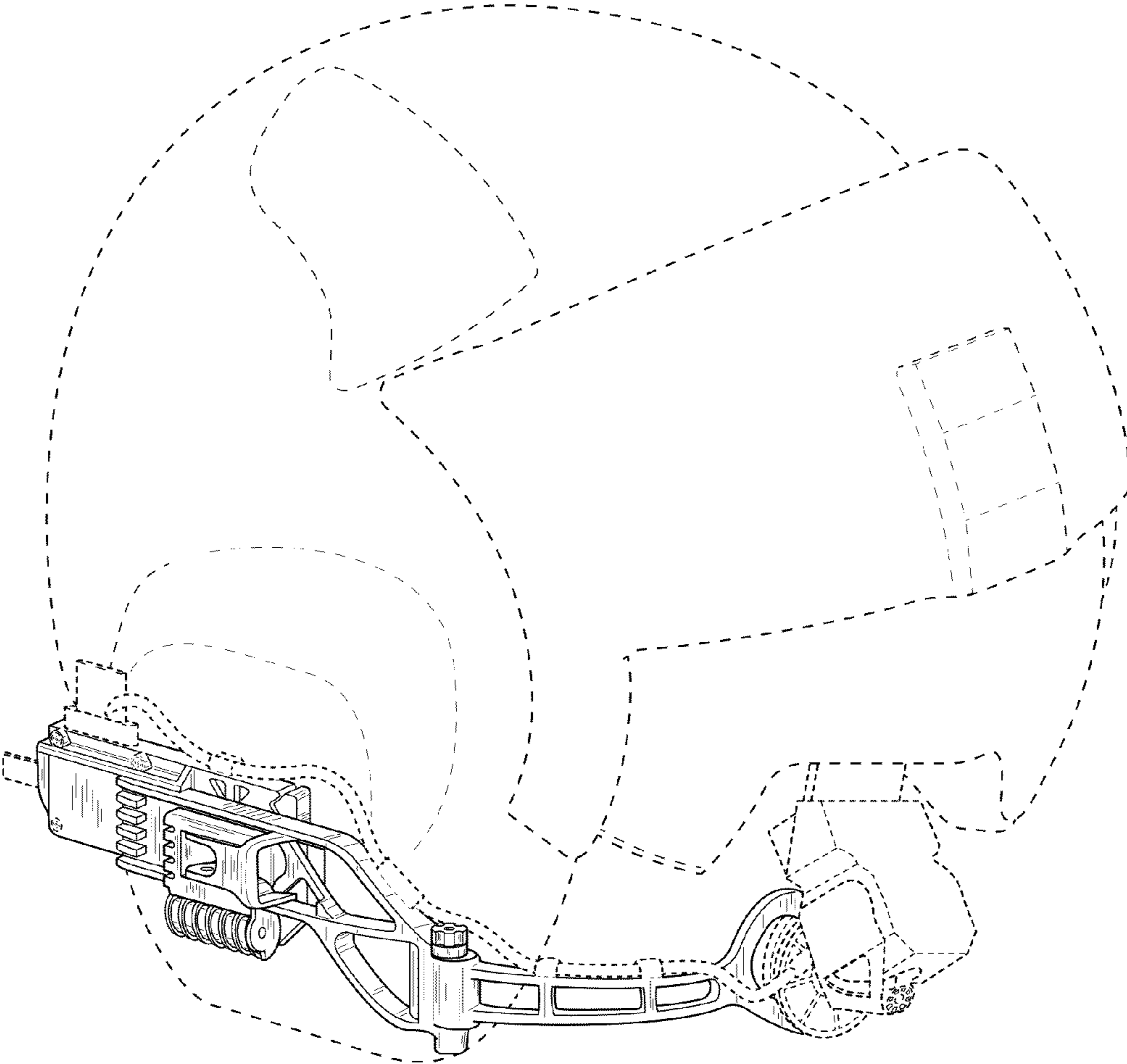


FIG. 1

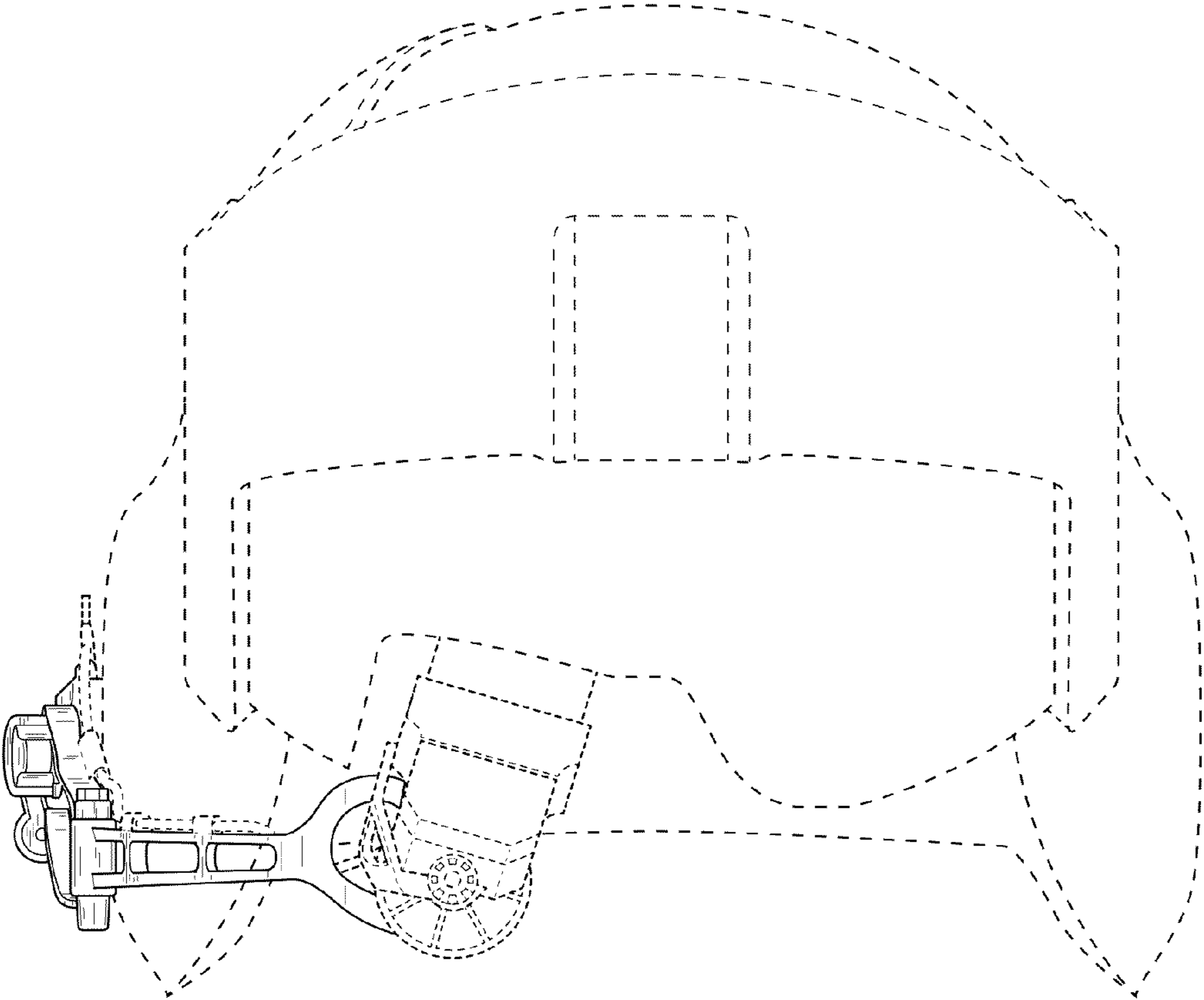


FIG. 2

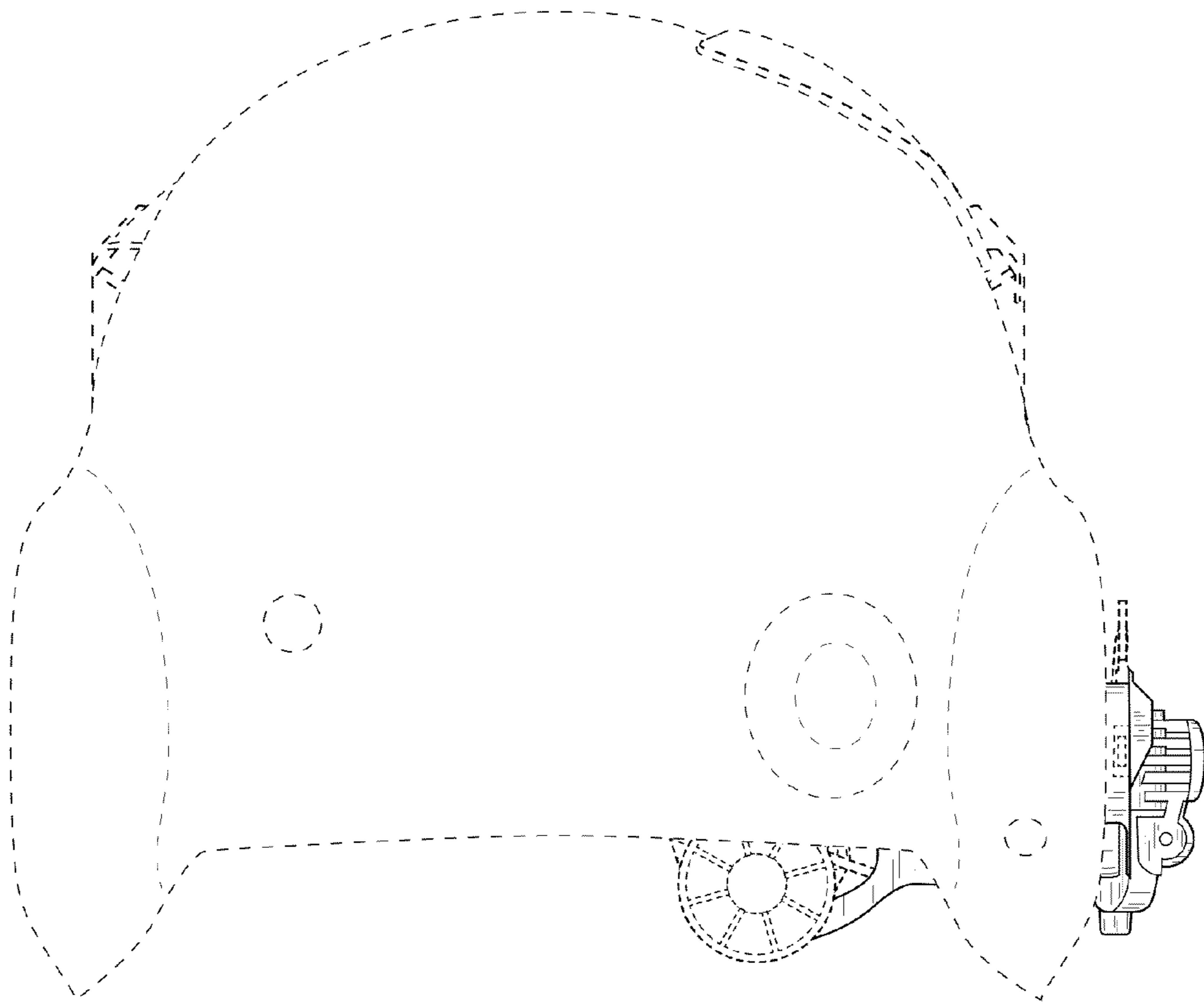


FIG. 3

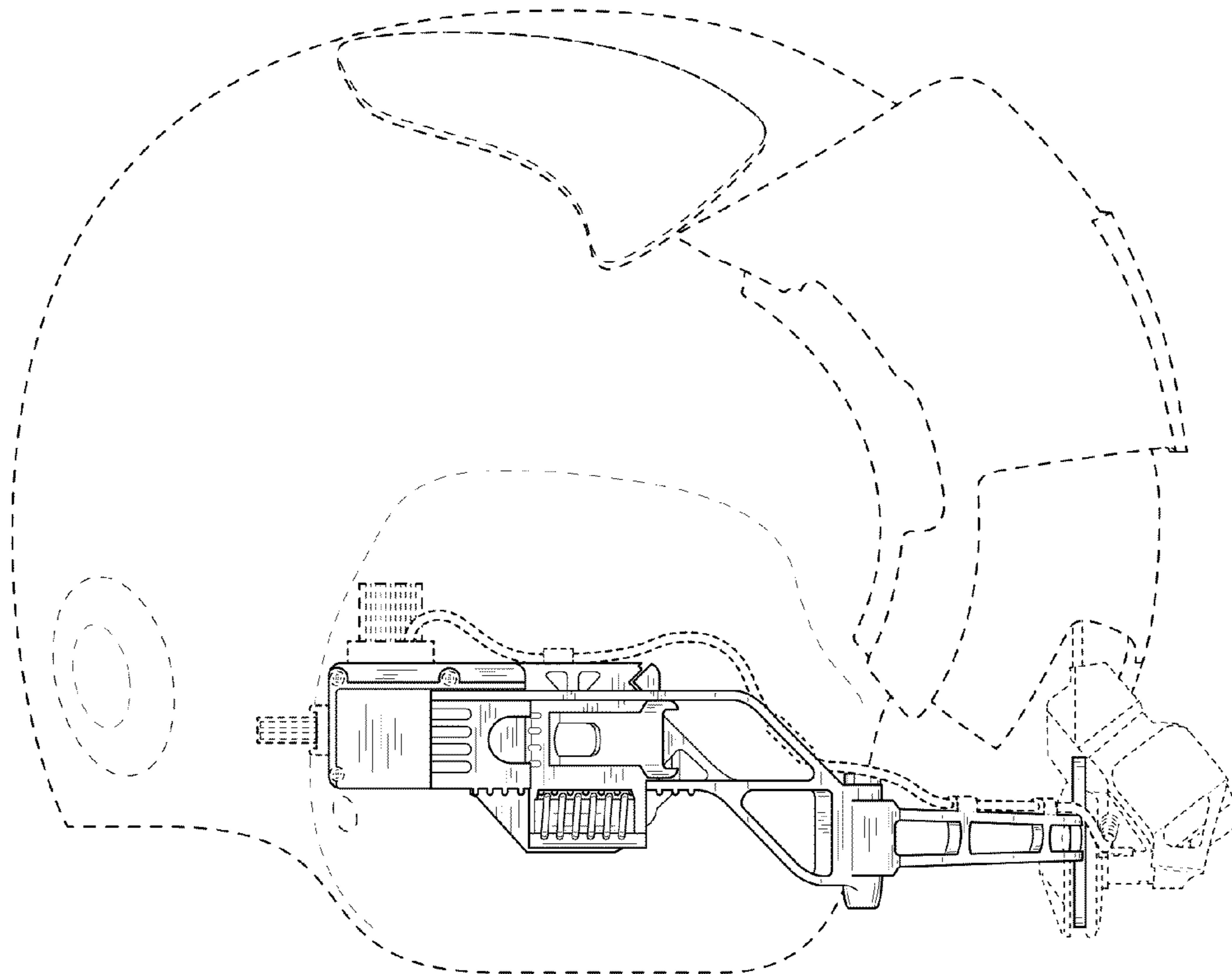


FIG. 4

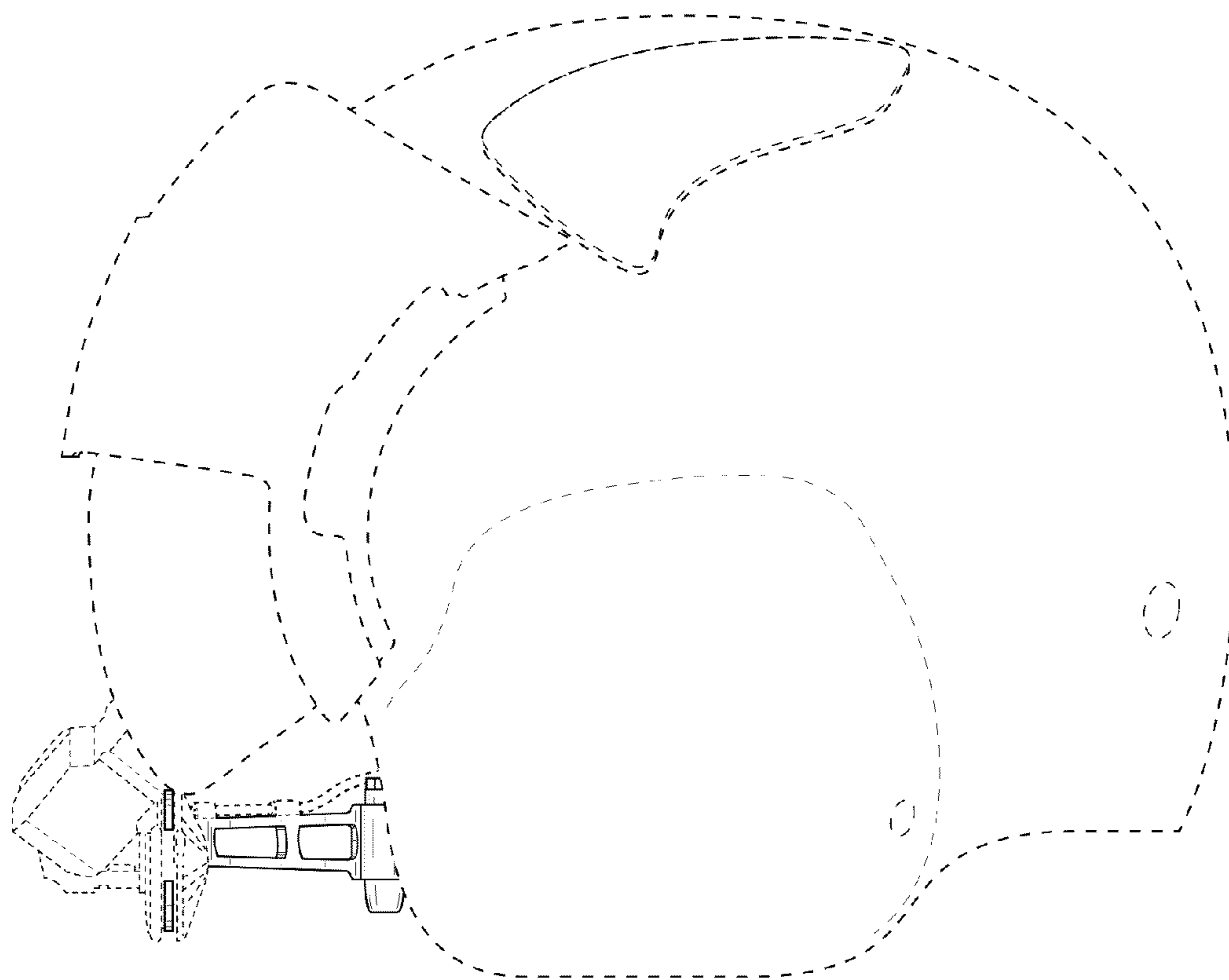


FIG. 5

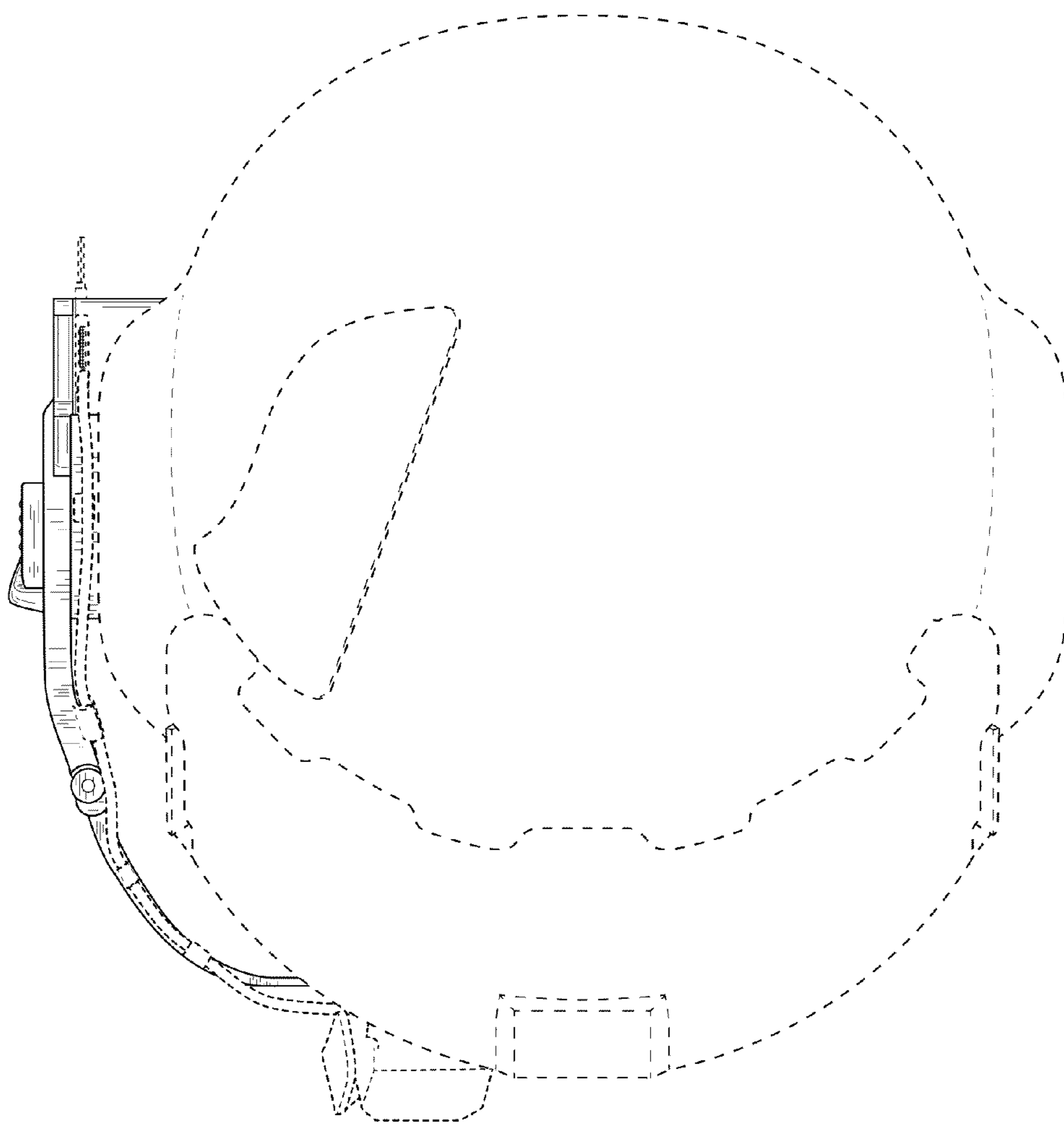


FIG. 6

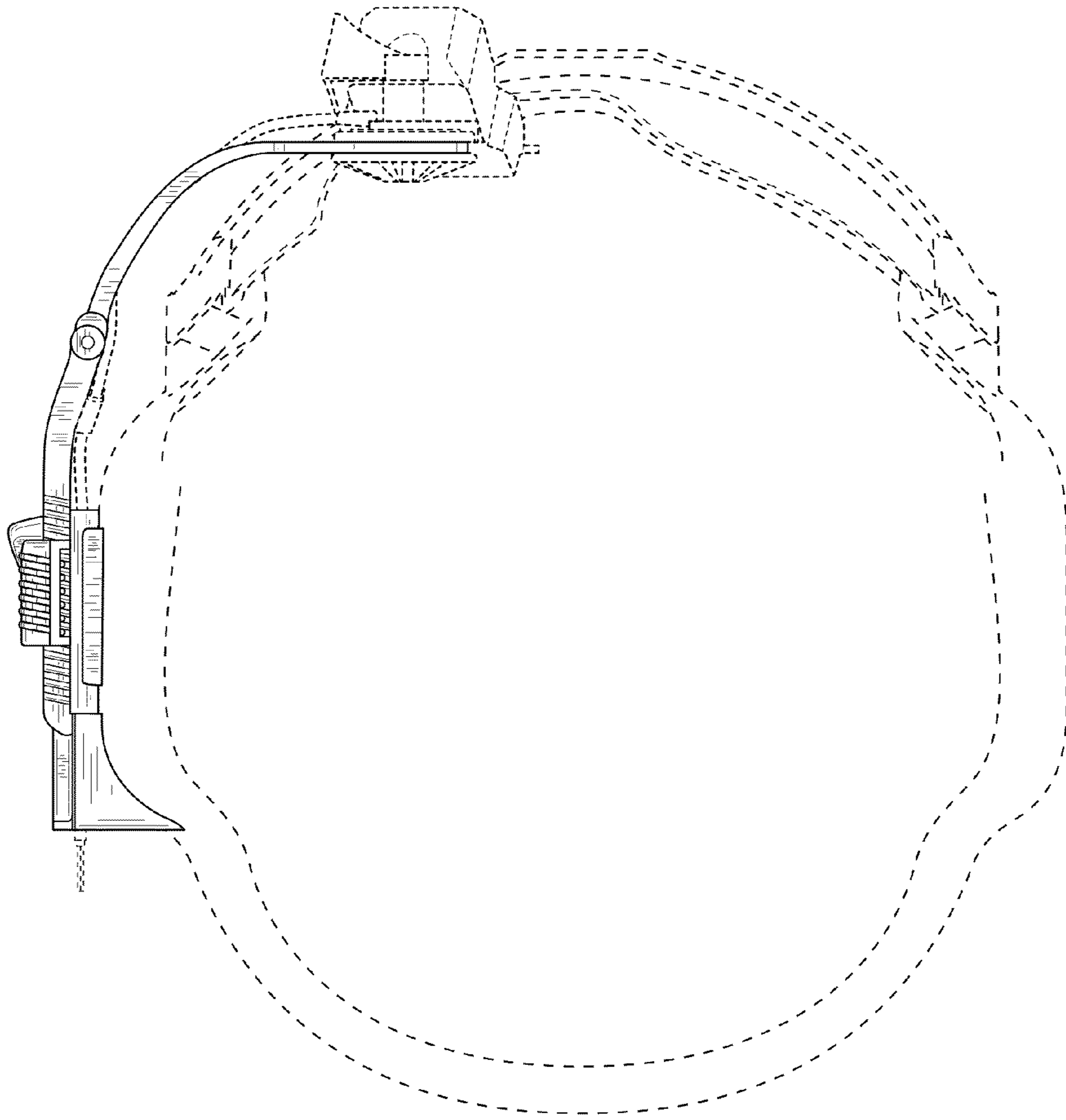


FIG. 7