

US00D721456S

(12) **United States Design Patent**
Sayers et al.

(10) **Patent No.:** **US D721,456 S**
(45) **Date of Patent:** **** Jan. 20, 2015**

(54) **NOZZLE**

(56) **References Cited**

(71) Applicant: **Jemella Group Limited**, Leeds (GB)

U.S. PATENT DOCUMENTS

(72) Inventors: **Stephen Anthony Sayers**, Weston
Turville (GB); **Daniel Brady**, Old
Windsor (GB)

D341,224 S *	11/1993	Drake et al.	D28/18
D536,482 S *	2/2007	Koenemann	D28/13
D600,405 S *	9/2009	Soresina et al.	D28/13
D627,923 S *	11/2010	Korach	D28/18
D651,342 S *	12/2011	Kim	D28/13
D676,600 S *	2/2013	Thrasher, Jr.	D28/18

(73) Assignee: **Jemella Group Limited**, Leeds (GB)

* cited by examiner

(**) Term: **14 Years**

Primary Examiner — Zenia Bennett

(21) Appl. No.: **29/479,453**

(74) *Attorney, Agent, or Firm* — Michael J. Brown

(22) Filed: **Jan. 16, 2014**

(57) **CLAIM**

The ornamental design for a nozzle, as shown and described.

(30) **Foreign Application Priority Data**

DESCRIPTION

Jul. 19, 2013 (EM) 002278218-0004

(51) **LOC (10) Cl.** **28-03**

(52) **U.S. Cl.**

USPC **D28/18**

(58) **Field of Classification Search**

CPC A45D 20/12

USPC D28/12-19; 34/96-101; 392/380-385;
219/222

FIG. 1 is a front perspective view of the new ornamental nozzle of the present invention.

FIG. 2 is a front view thereof.

FIG. 3 is a right side view thereof.

FIG. 4 is a rear perspective view thereof.

FIG. 5 is a rear view thereof.

FIG. 6 is a left side view thereof.

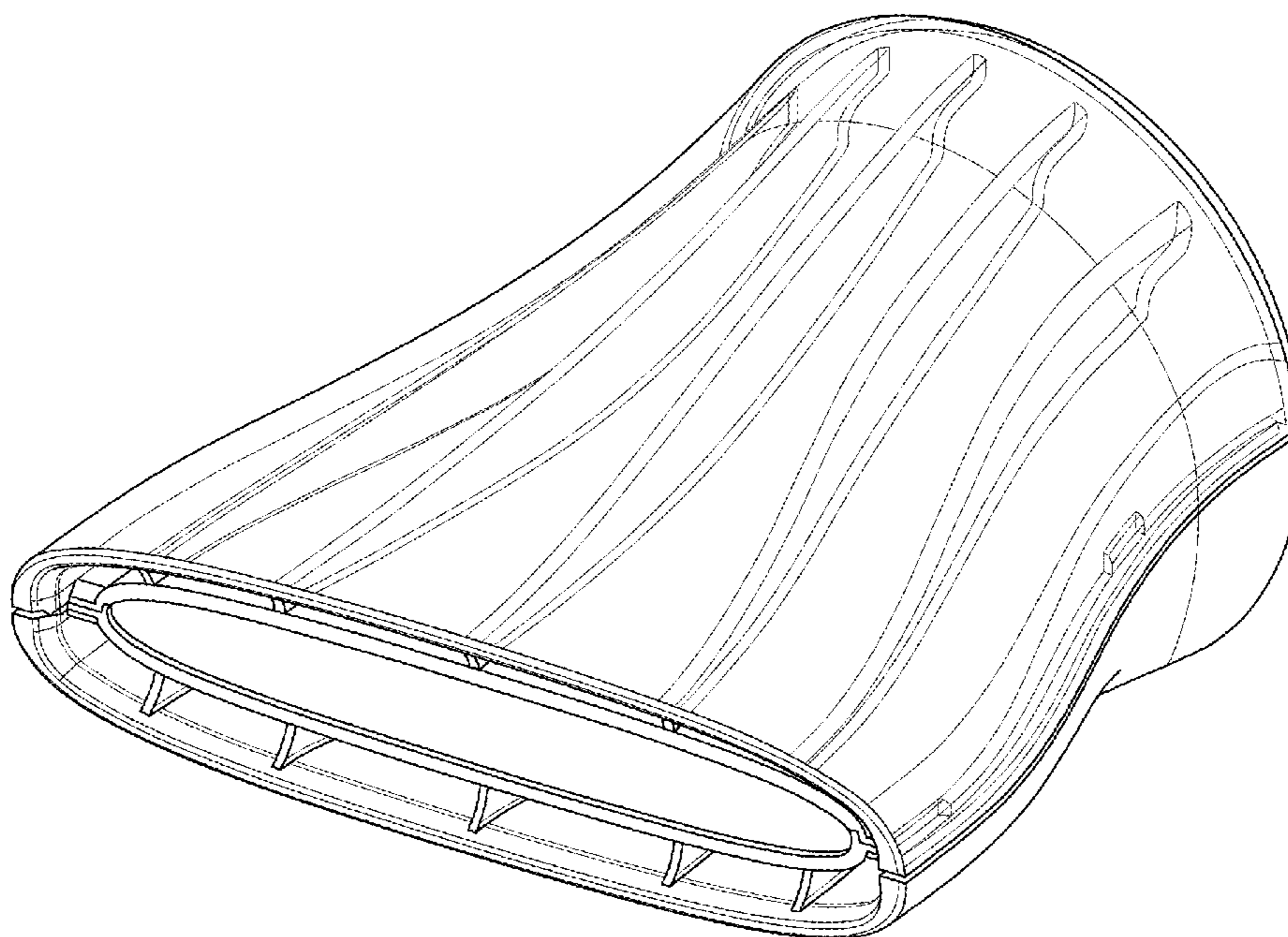
FIG. 7 is a top view thereof; and,

FIG. 8 is a bottom view thereof.

The exterior surface of the nozzle design is semi-transparent, with semi-transparent ribs separating the exterior surface from the interior.

See application file for complete search history.

1 Claim, 8 Drawing Sheets



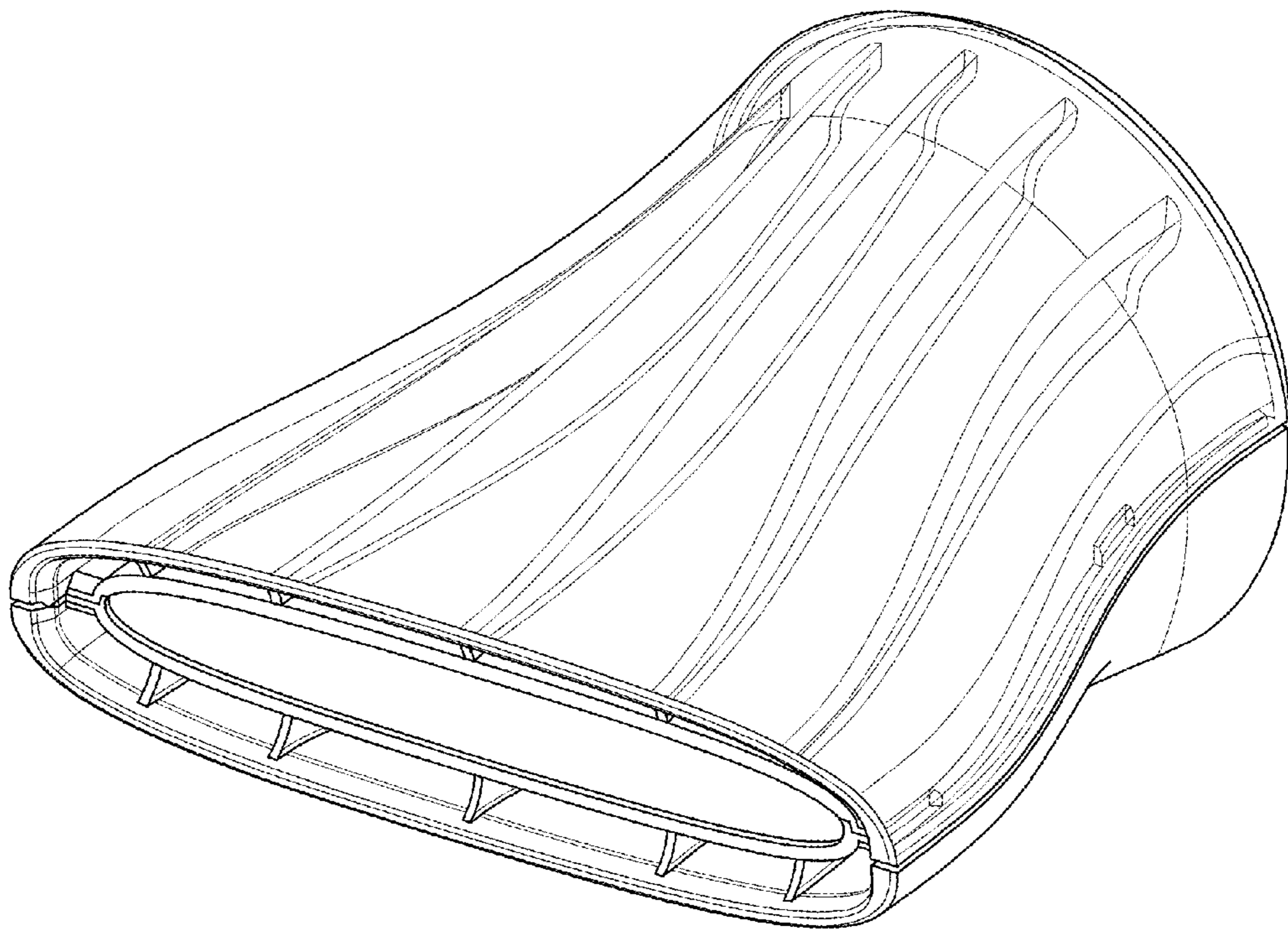


FIG. 1

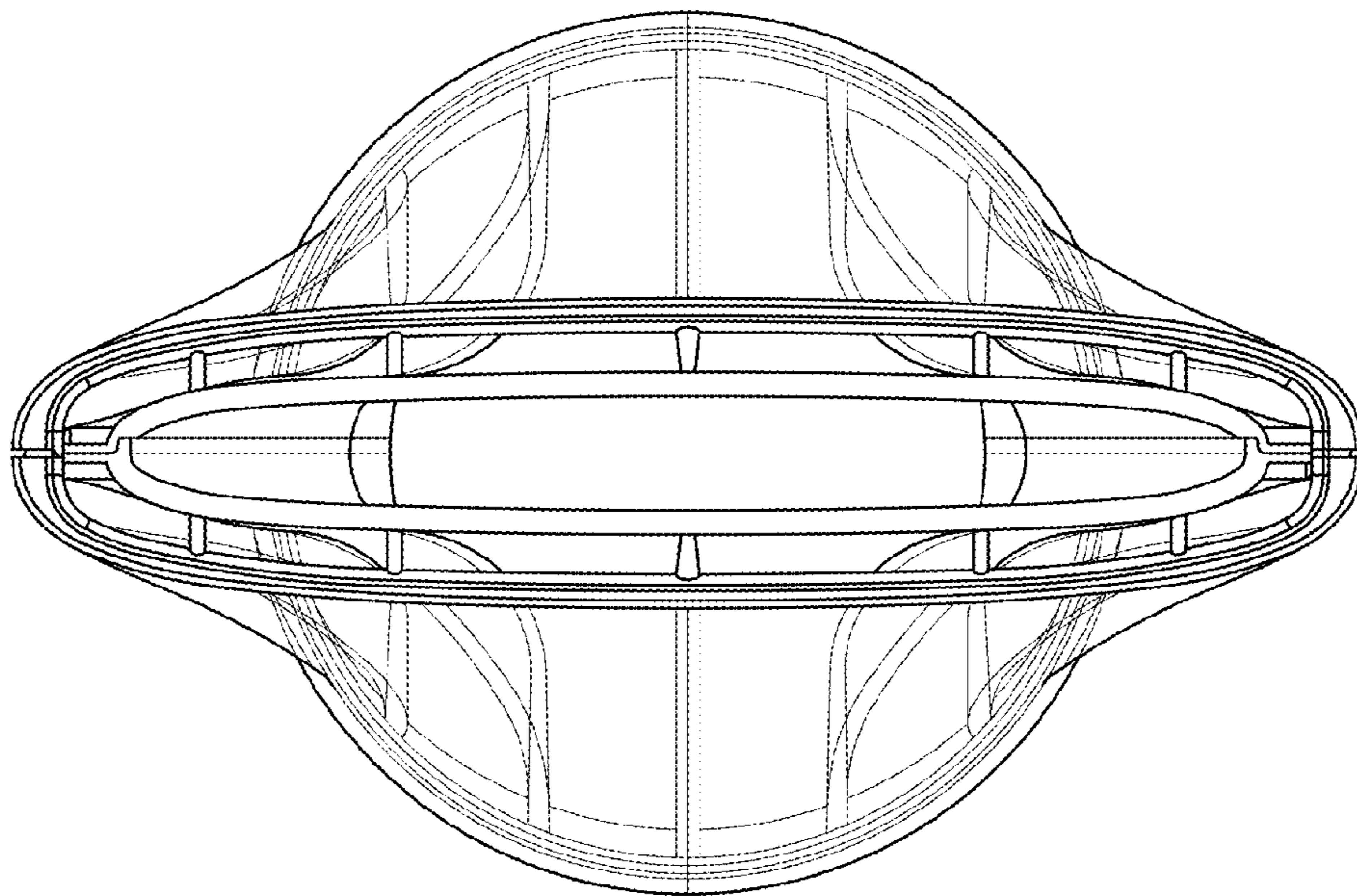


FIG. 2

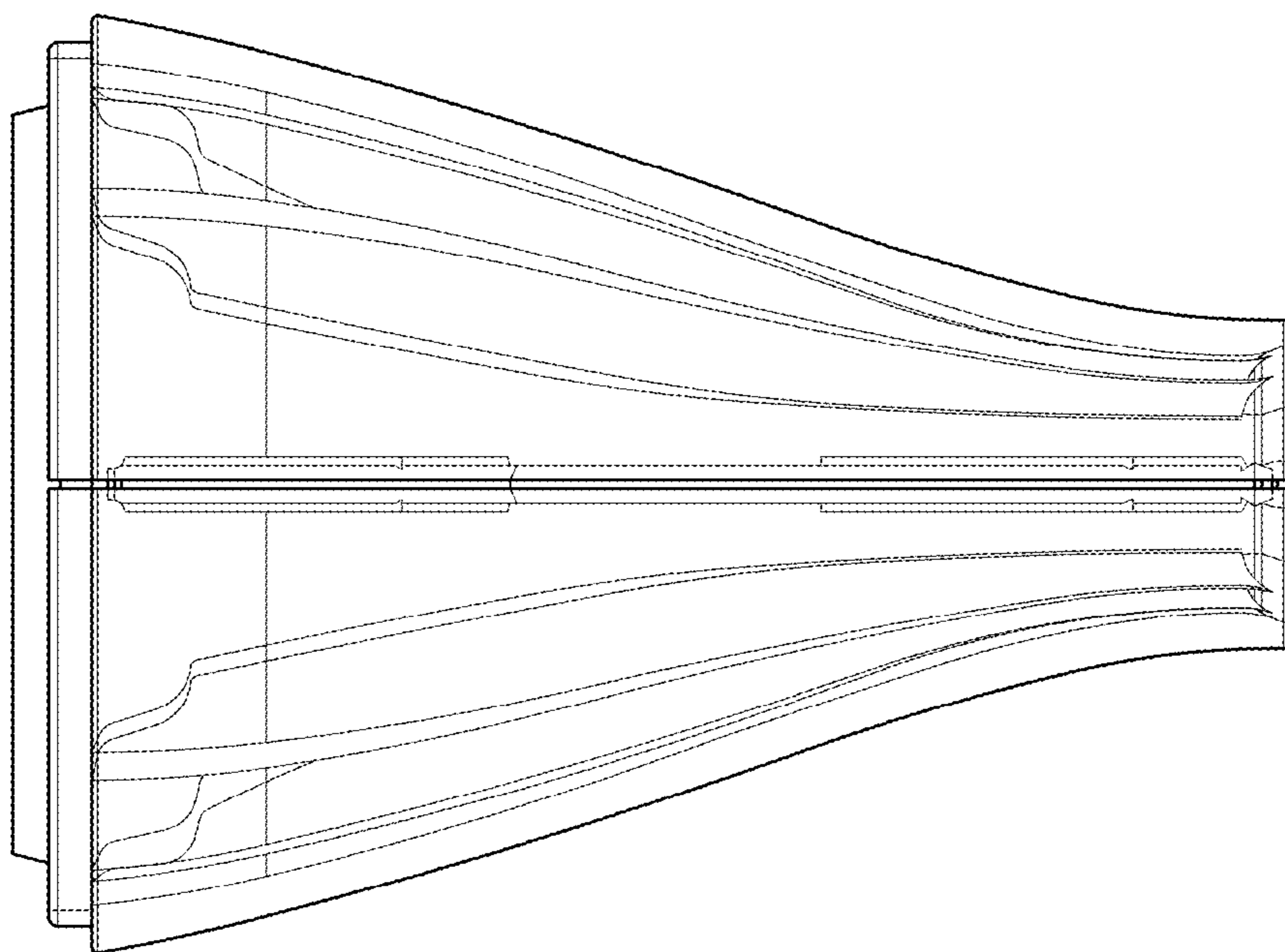


FIG. 3

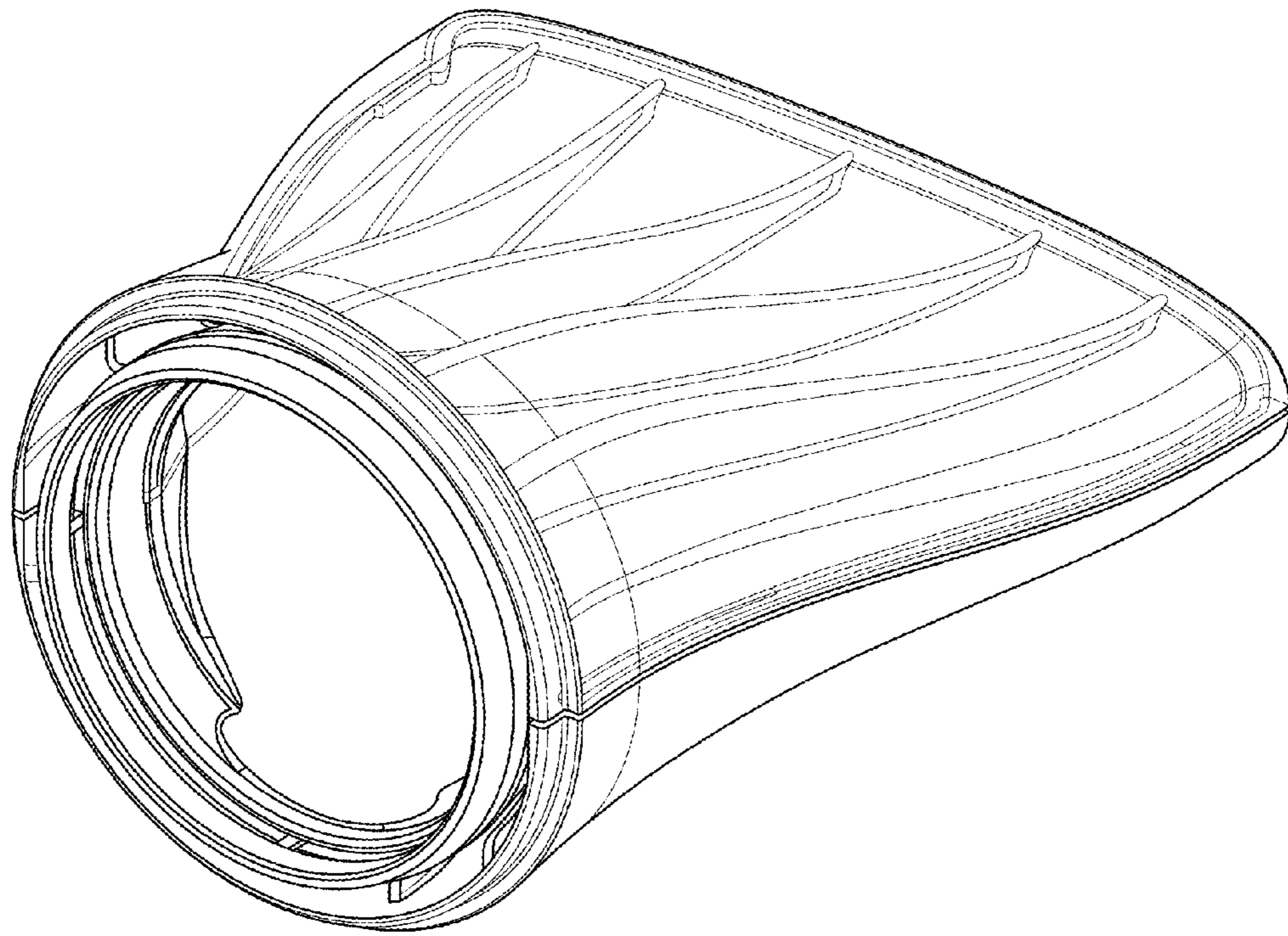


FIG.4

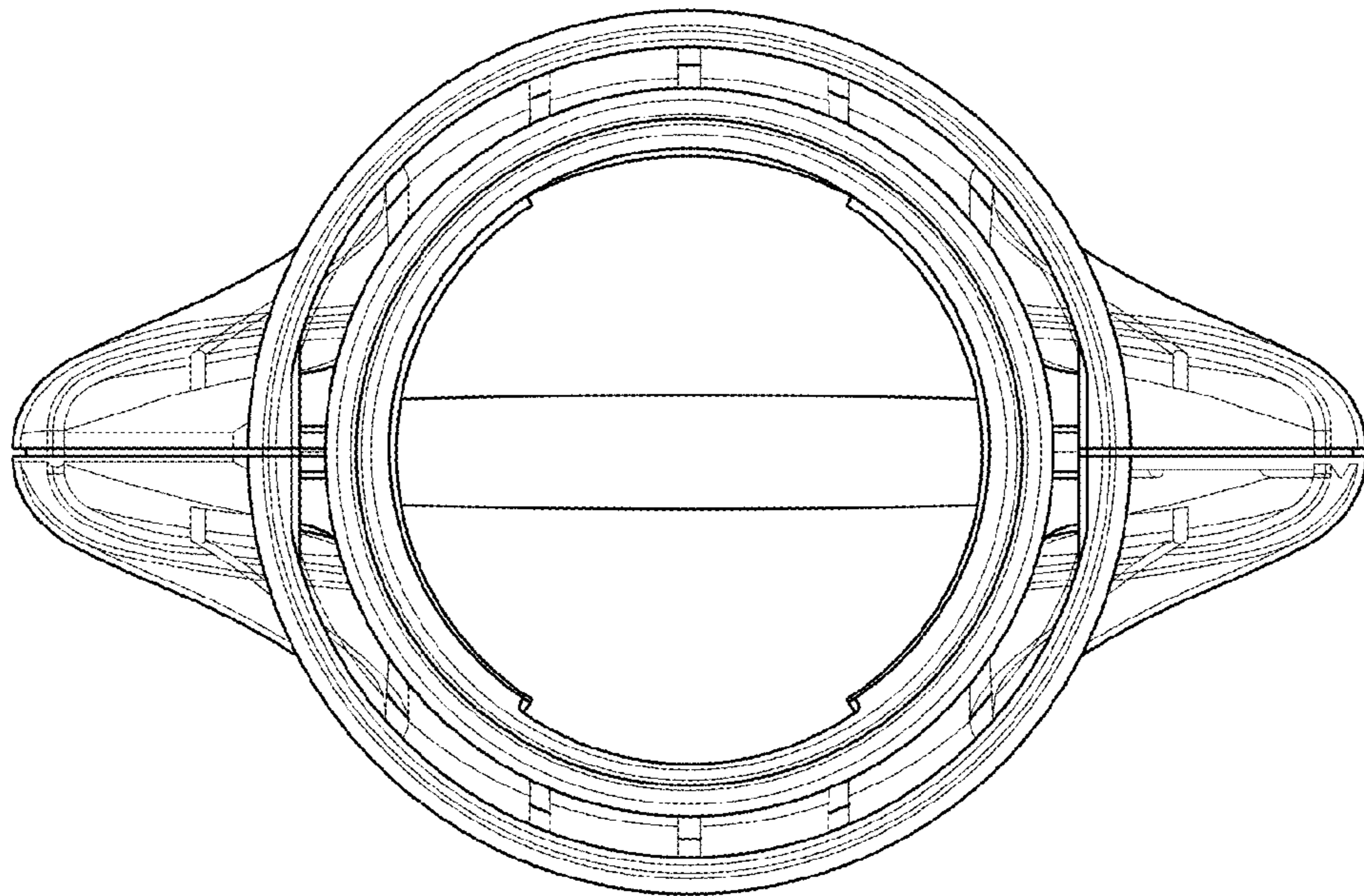


FIG.5

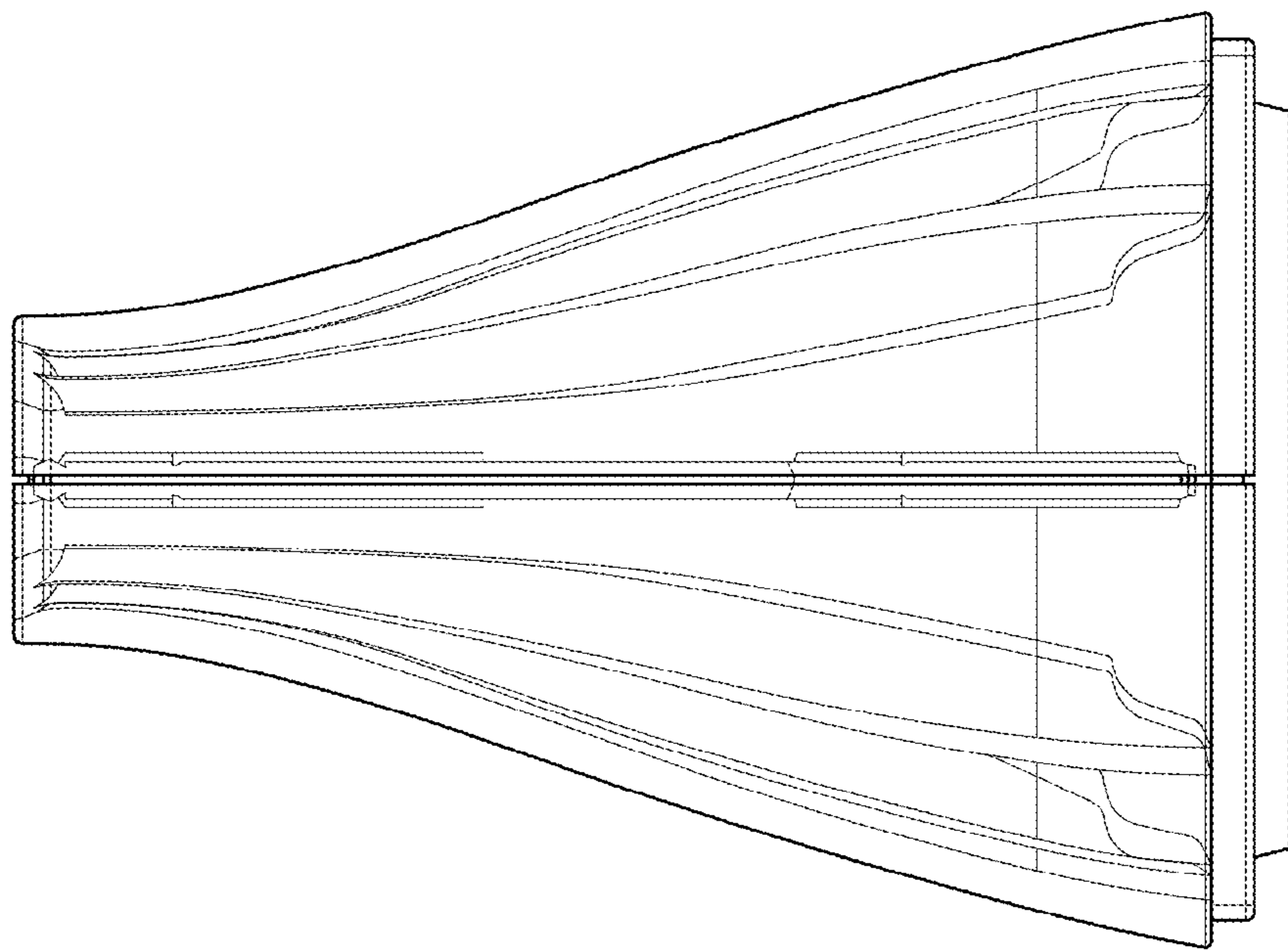


FIG. 6

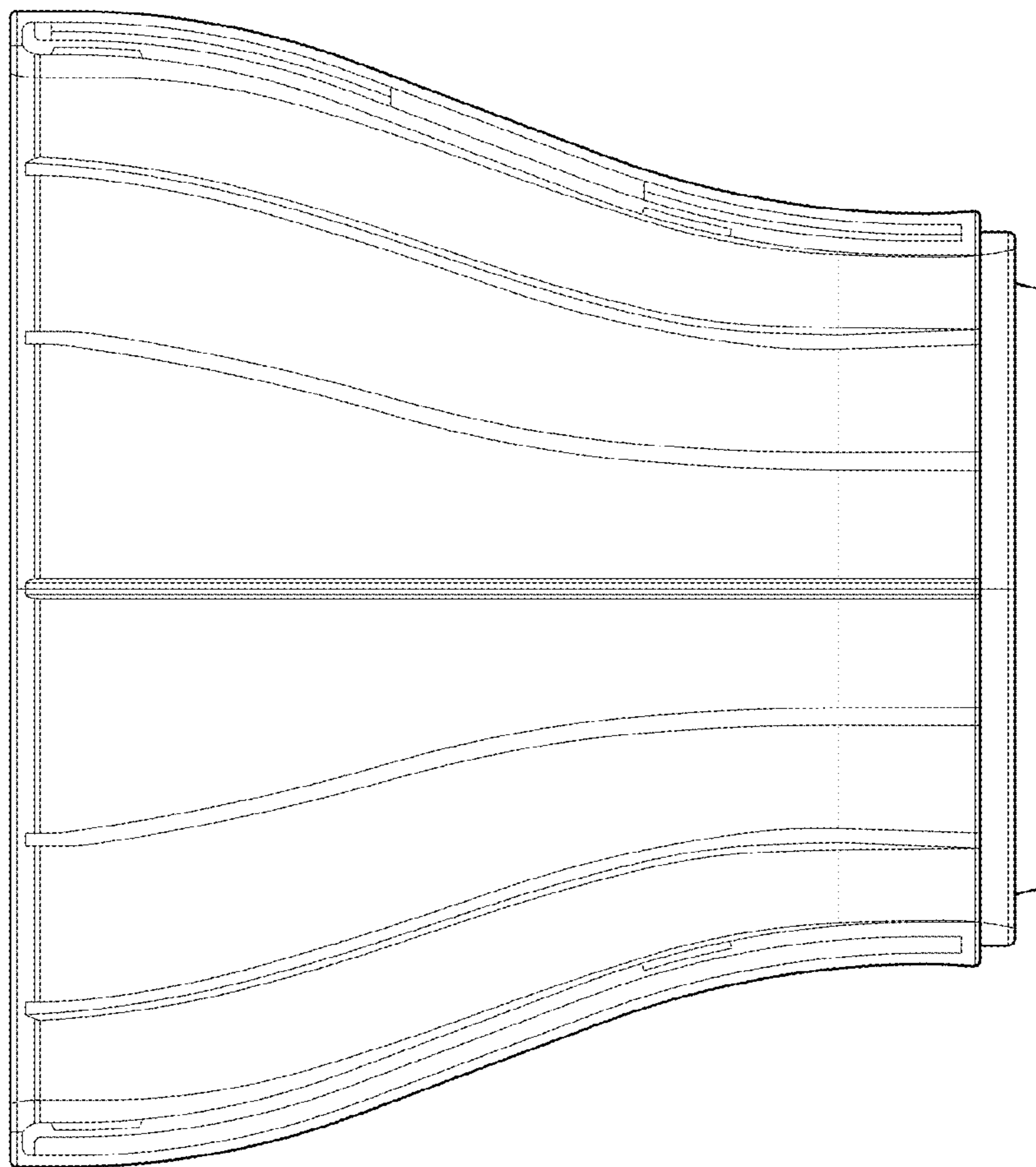


FIG. 7

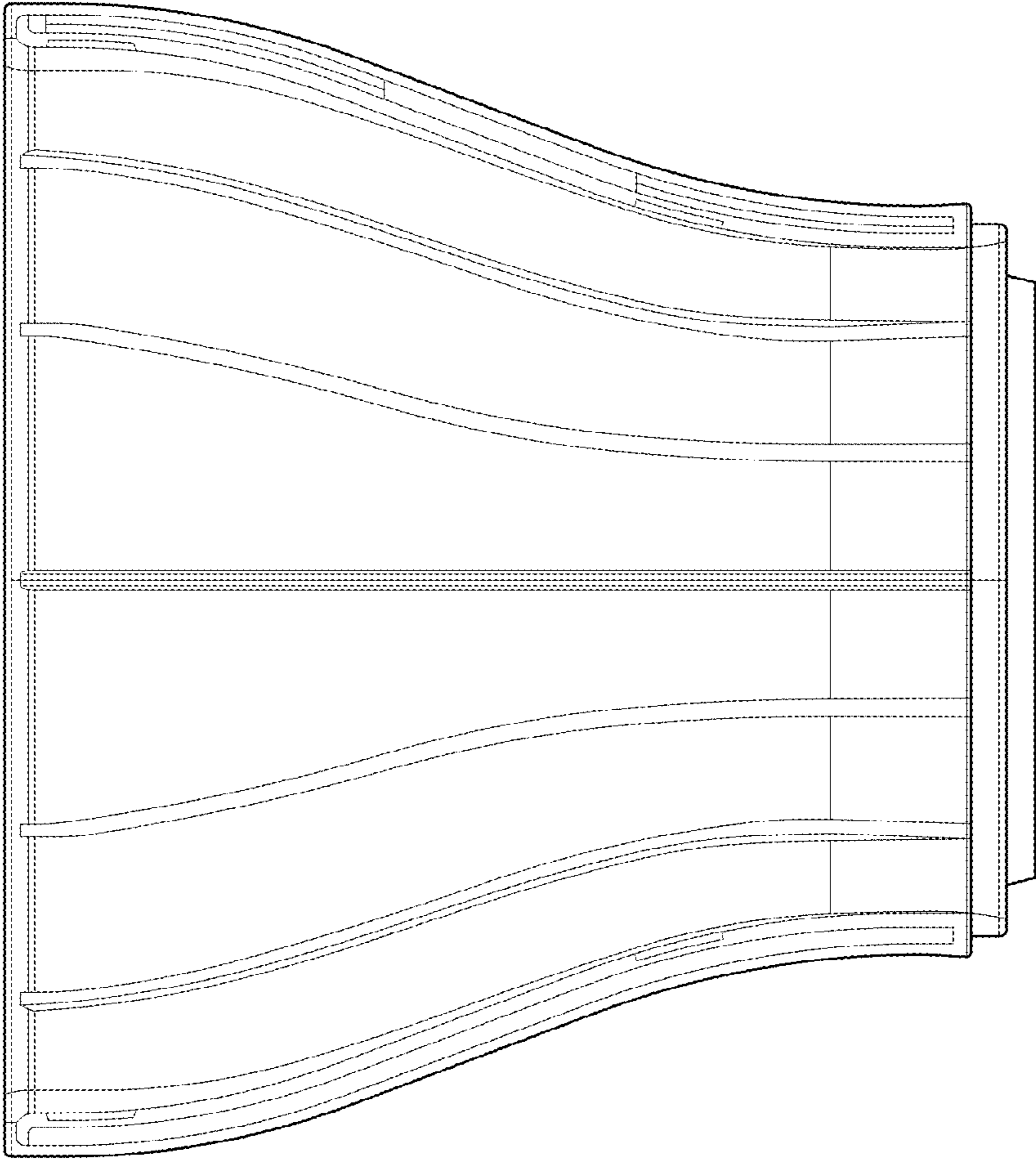


FIG.8