



US00D721452S

(12) **United States Design Patent**
Anastassiades

(10) **Patent No.:** **US D721,452 S**
(45) **Date of Patent:** **** Jan. 20, 2015**

(54) **WALL LAMP**

(71) Applicant: **FLOS S.p.A**, Bovezzo, Brescia (IT)

(72) Inventor: **Michael Anastassiades**, Brescia (IT)

(73) Assignee: **FLOS S.p.A**, Bovezzo (Brescia) (IT)

(**) Term: **14 Years**

(21) Appl. No.: **29/468,107**

(22) Filed: **Sep. 26, 2013**

(30) **Foreign Application Priority Data**

Mar. 29, 2013 (IT) BS2013O0010

(51) **LOC (10) Cl.** **26-03**

(52) **U.S. Cl.**
USPC **D26/87**

(58) **Field of Classification Search**
USPC D26/72, 85, 87, 90, 91, 118, 120;
362/147, 432, 404-408
See application file for complete search history.

(56) **References Cited**

U.S. PATENT DOCUMENTS

D38,316 S *	11/1906	Duenkel	D26/87
D43,203 S *	10/1912	Phinney	D26/87
1,271,091 A *	7/1918	Sito	362/352
D94,409 S *	1/1935	Chapman	D26/107
D103,557 S *	3/1937	Adams et al.	D26/24
D231,679 S *	5/1974	Keller	D26/87

D232,966 S *	9/1974	Shemitz	D26/87
D261,558 S *	10/1981	Palka et al.	D26/87
D261,559 S *	10/1981	Palka et al.	D26/87
D285,978 S *	9/1986	Rice	D26/107
5,251,118 A *	10/1993	Budnovitch et al.	362/362
5,275,366 A *	1/1994	Simmons	248/205.1
D441,488 S *	5/2001	Benghozi	D26/87
D588,296 S *	3/2009	Sabernig	D26/87
D626,275 S *	10/2010	Sabernig	D26/85
D643,565 S *	8/2011	Gilad	D26/87
D703,364 S *	4/2014	Meise et al.	D26/87

* cited by examiner

Primary Examiner — Clare E Heflin

(74) *Attorney, Agent, or Firm* — Thomas|Horstemeyer, LLP

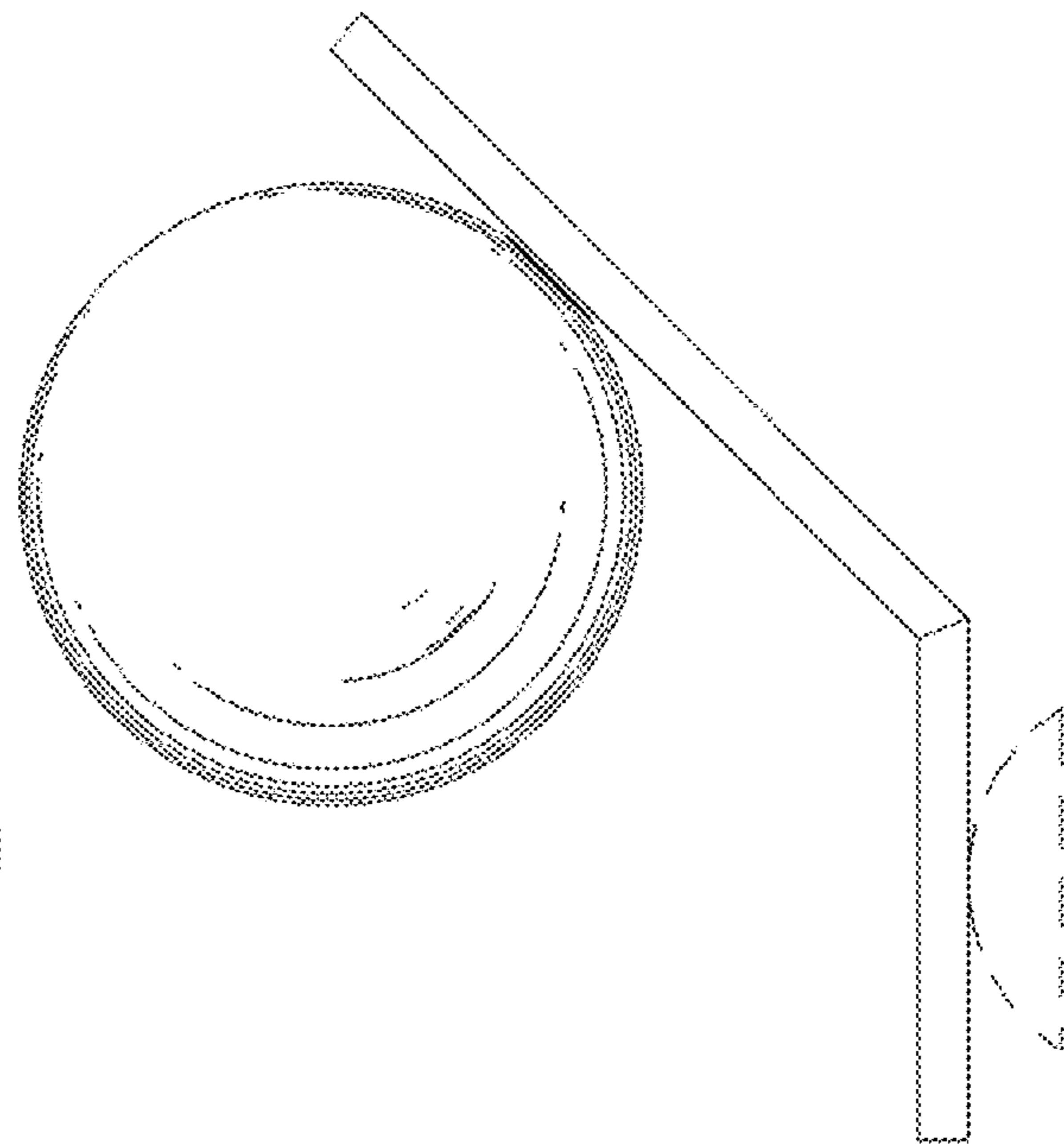
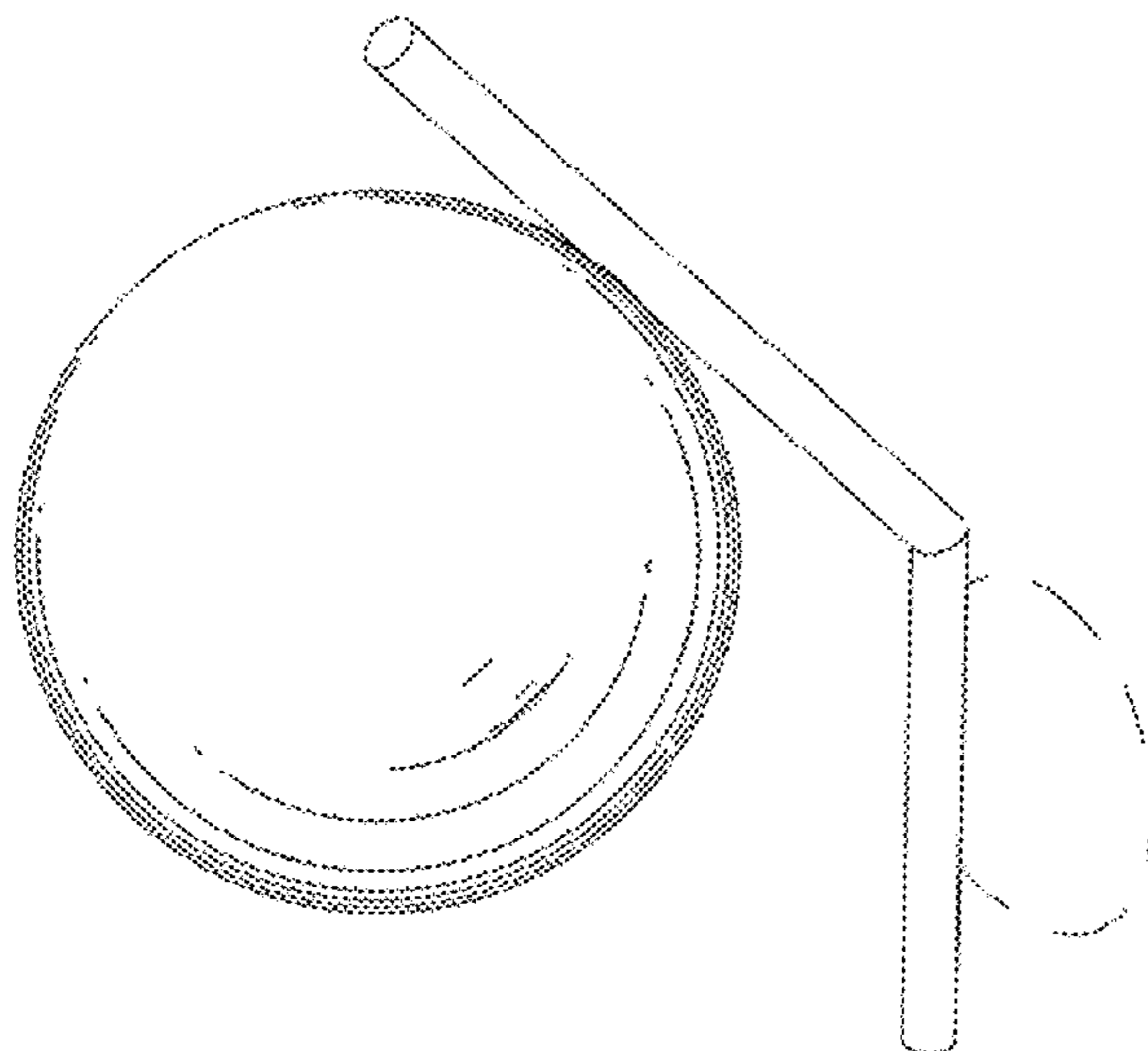
(57) **CLAIM**

The ornamental design for a wall lamp, as shown and described.

DESCRIPTION

FIG. 1 is a perspective view of my new wall lamp;
 FIG. 2 is a front elevational view of my new wall lamp;
 FIG. 3 is a rear elevational view of my new wall lamp, opposite that of FIG. 2;
 FIG. 4 is a side elevational view of my new wall lamp;
 FIG. 5 is another side elevational view of my new wall lamp from a side opposite that of FIG. 4;
 FIG. 6 is a top view of my new wall lamp; and,
 FIG. 7 is a bottom view of my new wall lamp.
 The broken line showing of portions of the wall lamp in the figures is included for the purpose of illustrating environmental structure and forms no part of the claimed design.

1 Claim, 7 Drawing Sheets



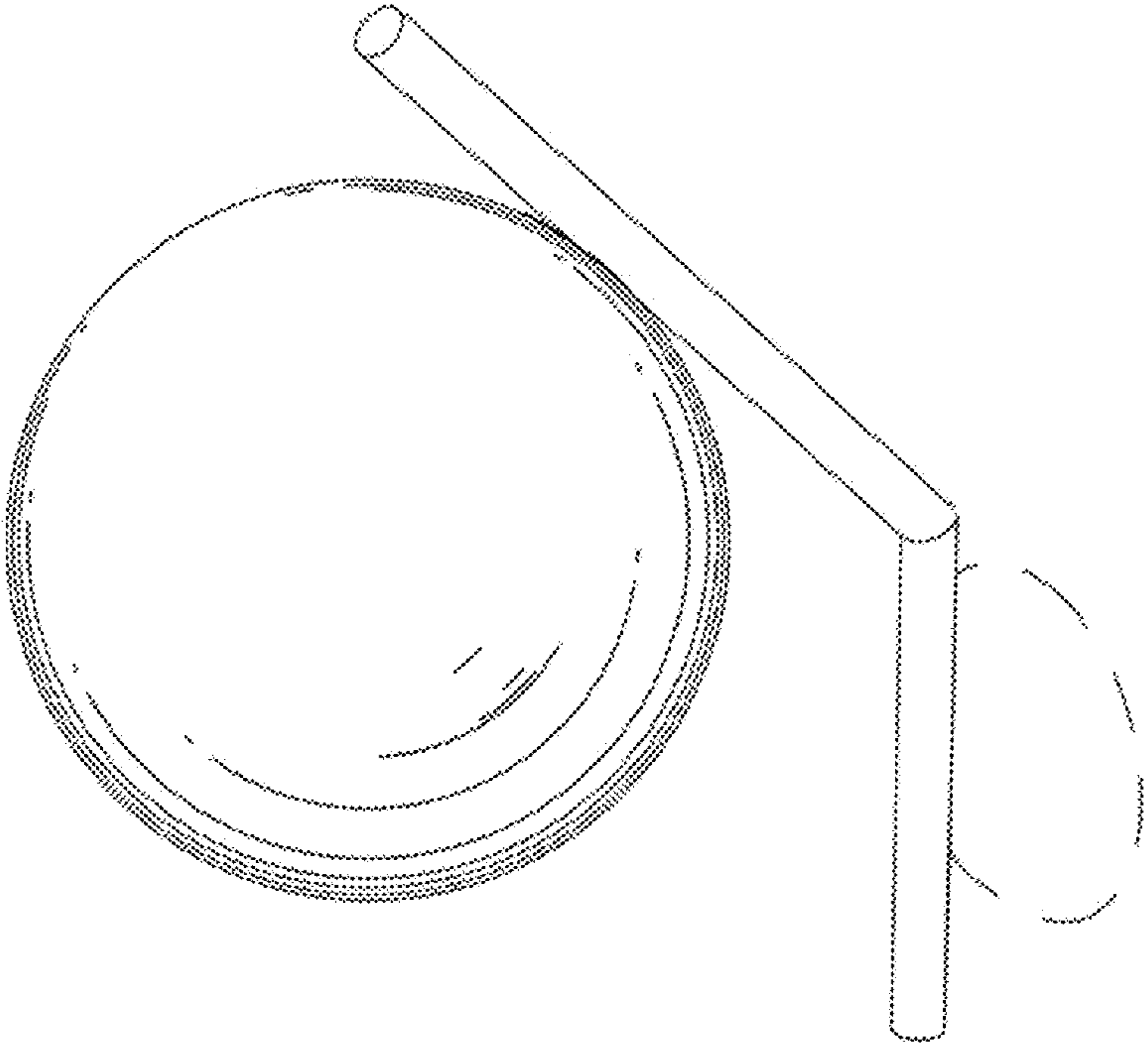


FIG. 1

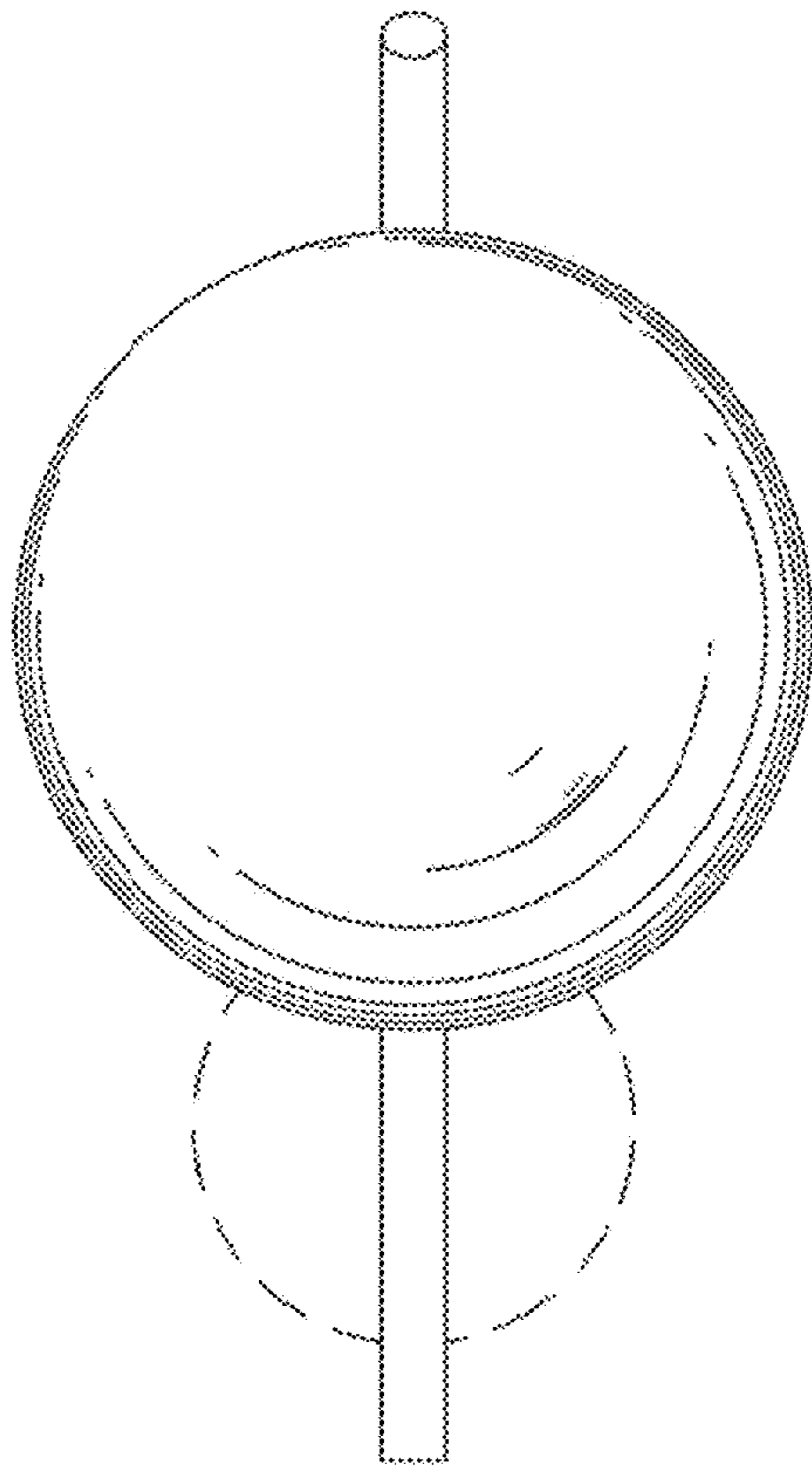


FIG. 2

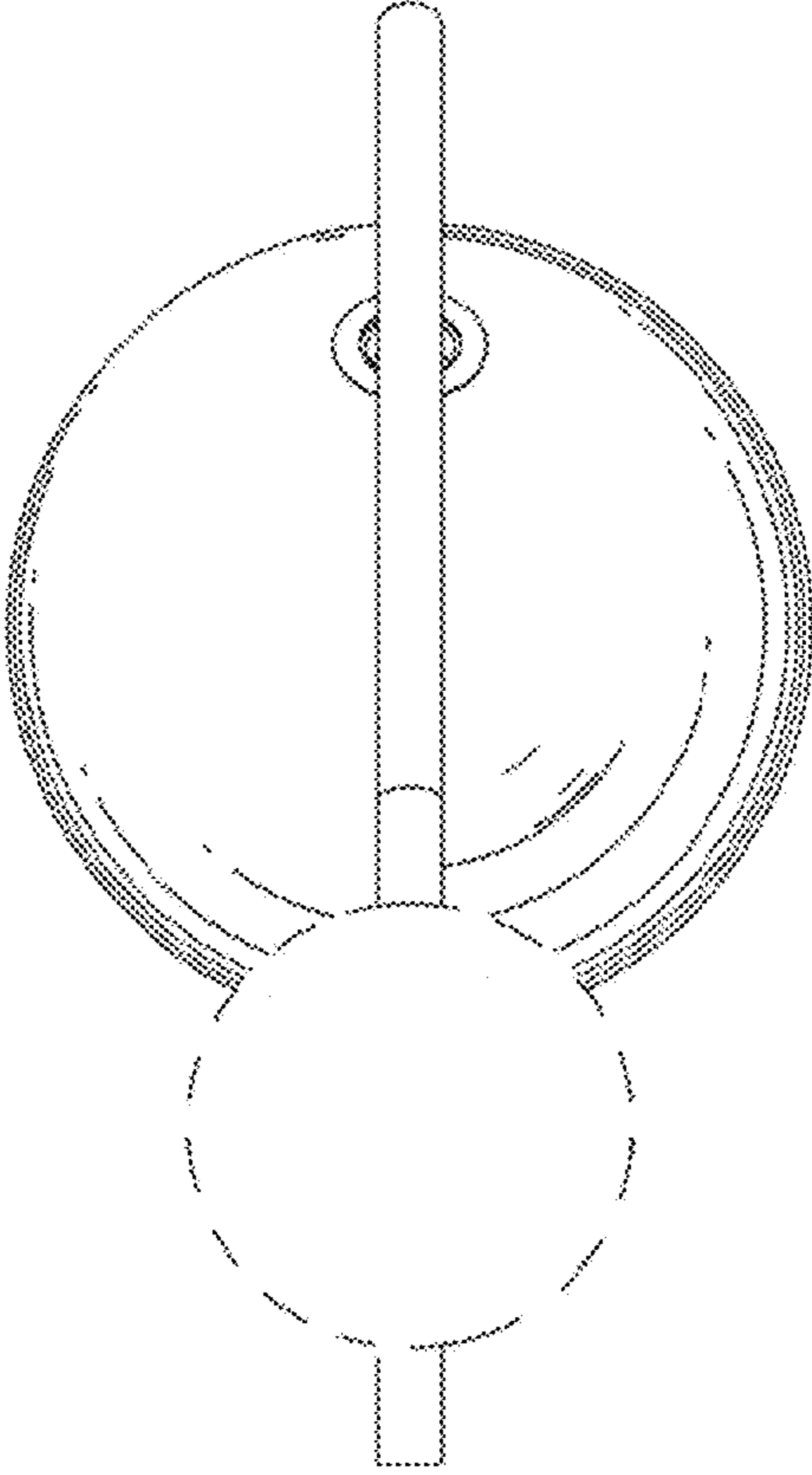


FIG. 3

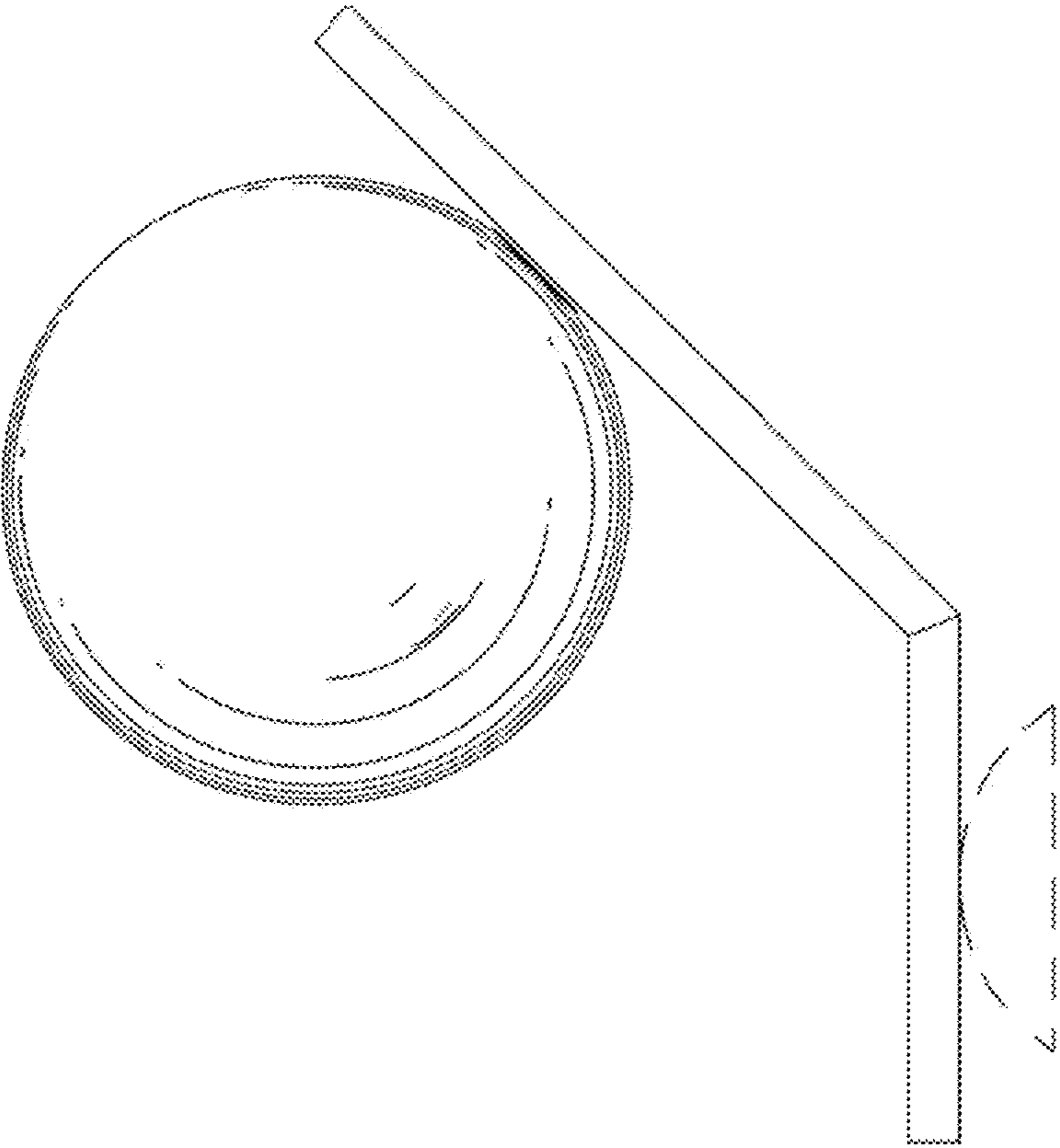


FIG. 4

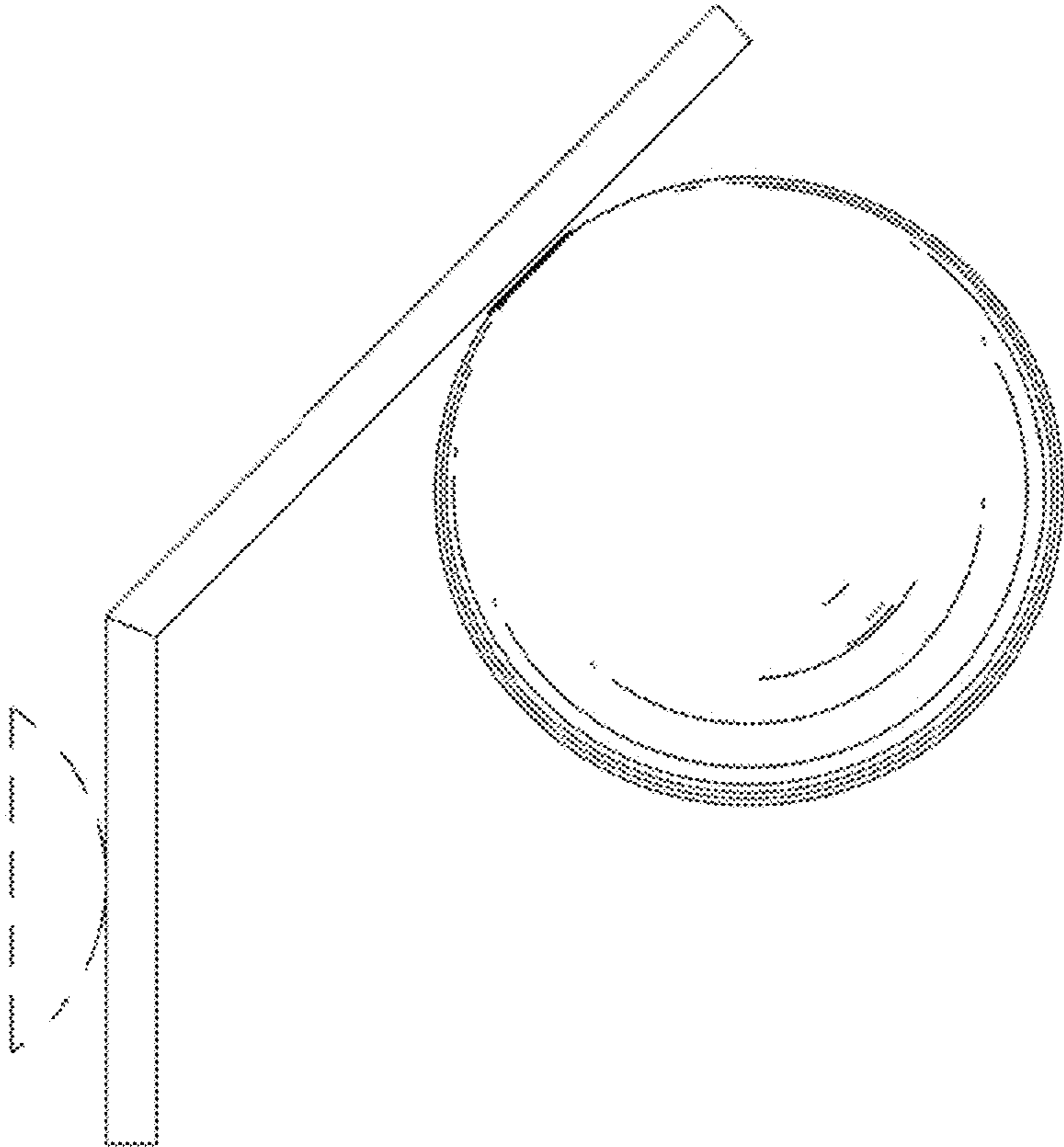


FIG. 5

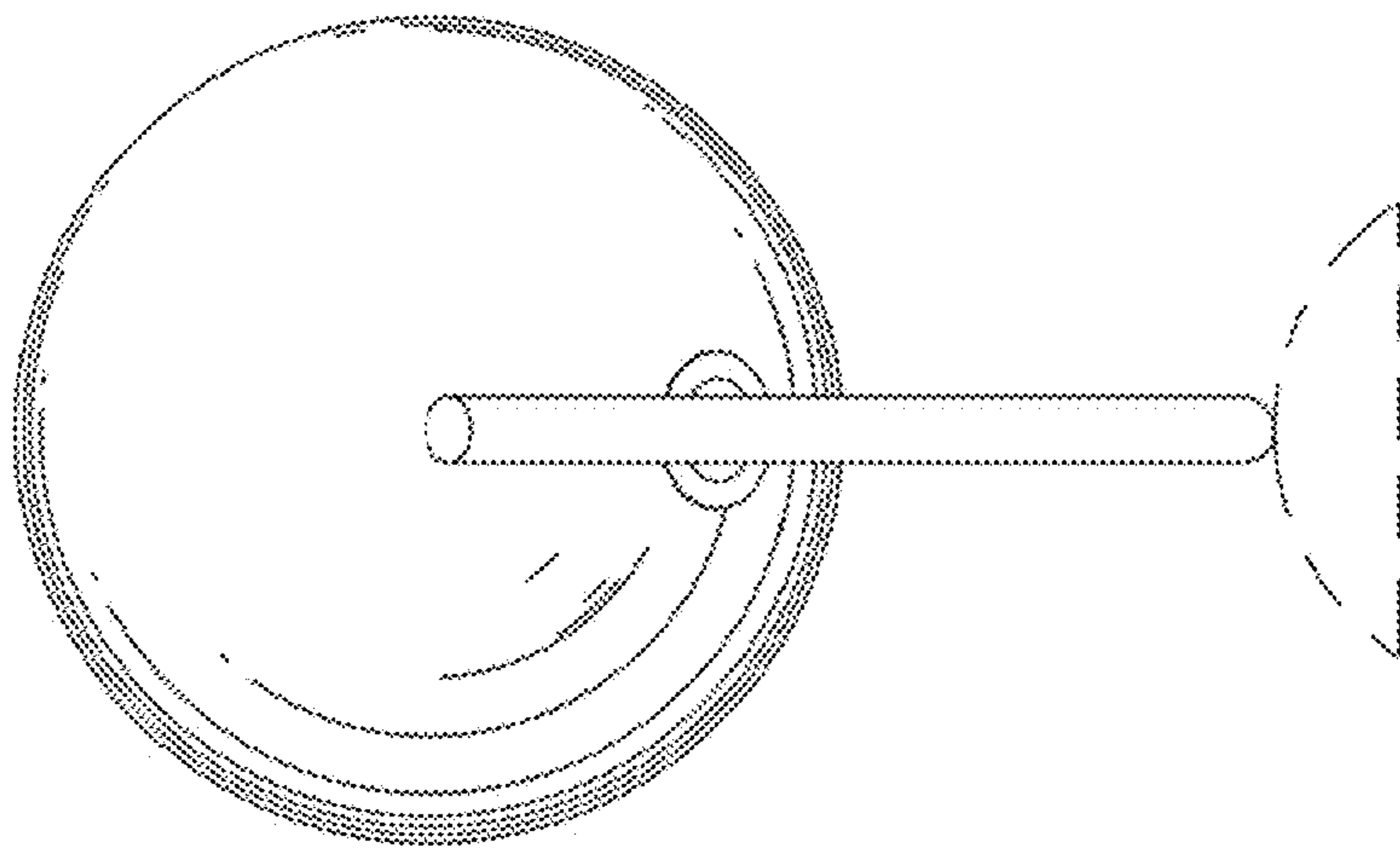


FIG. 6

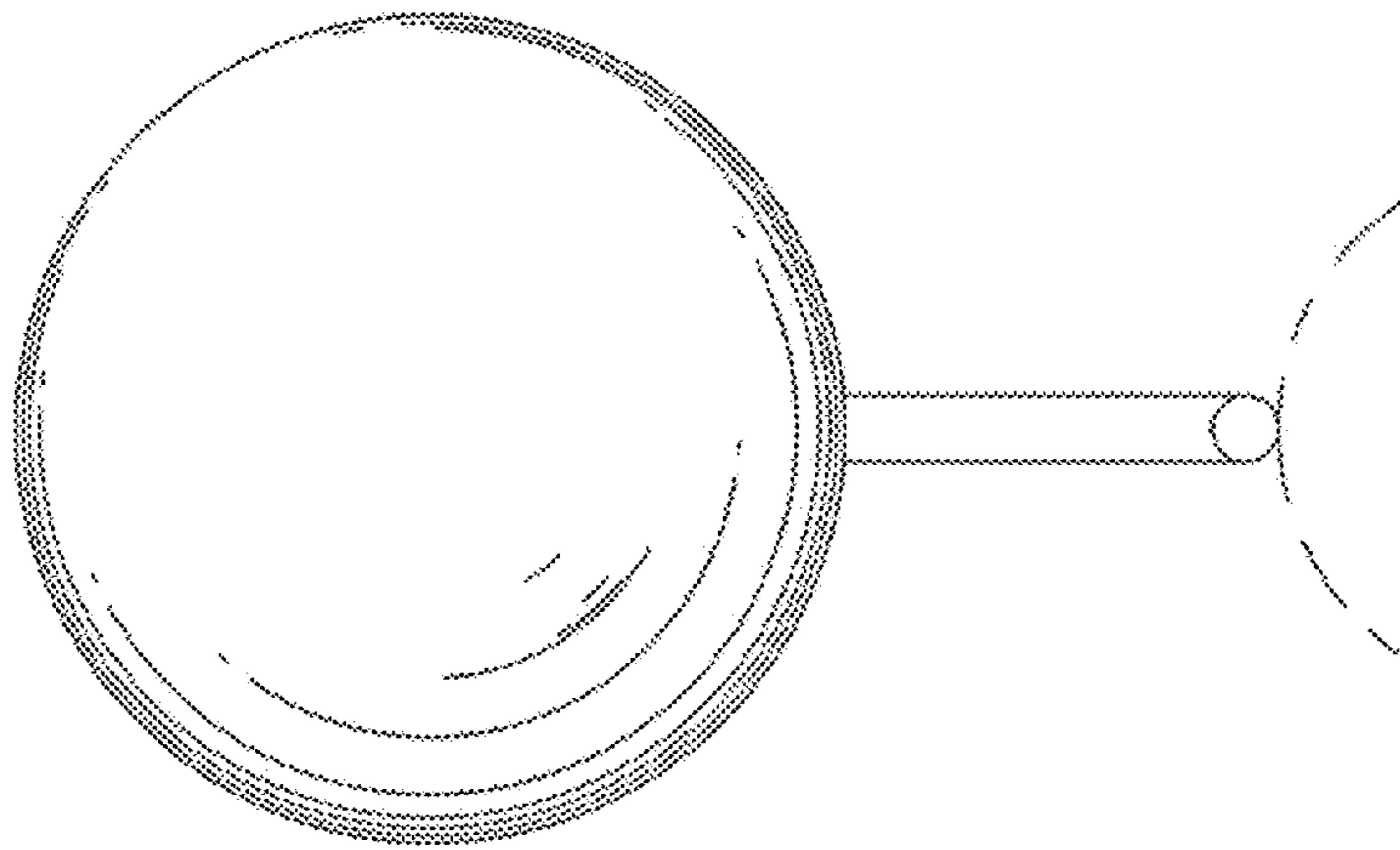


FIG. 7