



US00D721449S

(12) **United States Design Patent**
Chen

(10) **Patent No.:** **US D721,449 S**

(45) **Date of Patent:** **** Jan. 20, 2015**

(54) **NIGHTLIGHT**

(71) Applicant: **Chi Gon Chen**, Guang Zhou (CN)

(72) Inventor: **Chi Gon Chen**, Guang Zhou (CN)

(73) Assignee: **International Development LLC**,
Roanoke, TX (US)

(**) Term: **14 Years**

(21) Appl. No.: **29/443,814**

(22) Filed: **Jan. 23, 2013**

(51) **LOC (10) Cl.** **26-05**

(52) **U.S. Cl.**
USPC **D26/26**

(58) **Field of Classification Search**
CPC .. F21Y 2101/02; F21S 8/035; F21V 23/0442;
F21W 2121/00; H01R 2103/00
USPC D26/1, 2, 5-7, 24, 26, 28, 37, 38, 51,
D26/59, 63, 67, 68, 72-74, 81-89, 93,
D26/103-109, 113, 118-124;
D23/355-370; 362/640-643, 652
See application file for complete search history.

(56) **References Cited**

U.S. PATENT DOCUMENTS

| | | | |
|---------------|---------|-------------------|---------|
| D157,798 S * | 3/1950 | Slatkin | D23/362 |
| 3,902,877 A * | 9/1975 | Swaim | D23/366 |
| D271,424 S * | 11/1983 | Young et al. | D26/26 |
| D335,531 S * | 5/1993 | Kunze et al. | D23/366 |
| D384,430 S * | 9/1997 | Lecluze | D26/63 |
| D489,812 S * | 5/2004 | Huang | D26/59 |
| D525,697 S * | 7/2006 | Ertze | D26/59 |

| | | | |
|-------------------|---------|-----------------------|---------|
| D525,698 S * | 7/2006 | Wang | D26/59 |
| D527,451 S * | 8/2006 | Glasbrenner | D26/59 |
| 7,481,691 B2 * | 1/2009 | Sze et al. | 446/45 |
| D614,321 S * | 4/2010 | Yang | D26/2 |
| D615,698 S * | 5/2010 | Weiss | D26/142 |
| D656,599 S * | 3/2012 | Browder | D23/366 |
| D656,600 S | 3/2012 | Browder | |
| D662,583 S | 6/2012 | Browder | |
| D663,406 S | 7/2012 | Browder | |
| D673,254 S | 12/2012 | Browder | |
| D678,496 S * | 3/2013 | Browder | D23/366 |
| 8,412,029 B2 | 4/2013 | Browder et al. | |
| D691,753 S * | 10/2013 | Smarslik | D26/28 |
| 2006/0194504 A1 * | 8/2006 | Ragonetti et al. | 446/46 |

* cited by examiner

Primary Examiner — Garth Rademaker

Assistant Examiner — Llorellys Martinez-Rivera

(74) *Attorney, Agent, or Firm* — Brian Harris

(57) **CLAIM**

The ornamental design for a nightlight, as shown and described.

DESCRIPTION

FIG. 1 is a front perspective view of a nightlight showing my new design;

FIG. 2 is a front view thereof;

FIG. 3 is a back view thereof;

FIG. 4 is a bottom view thereof;

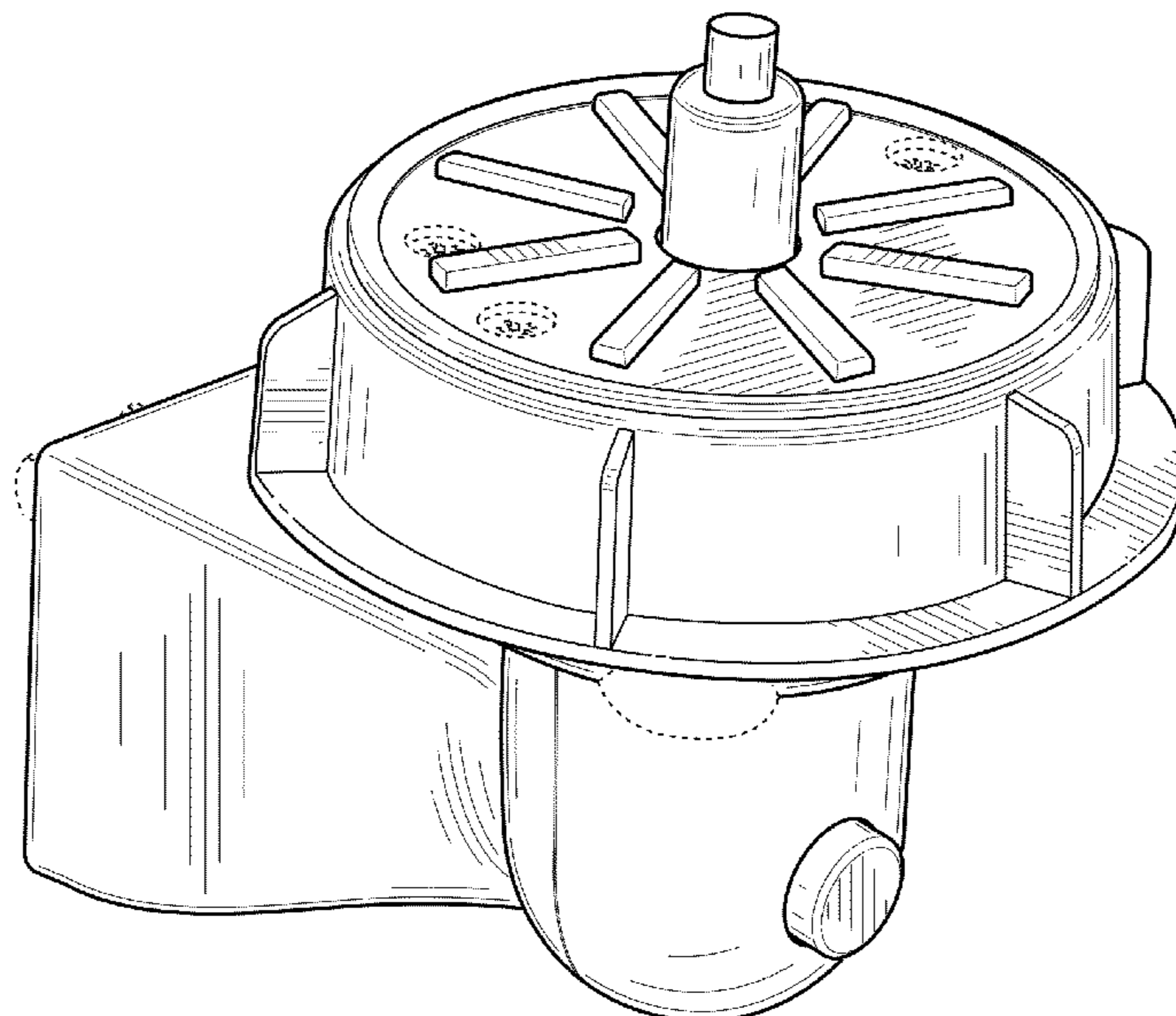
FIG. 5 is a top view thereof;

FIG. 6 is a left side view thereof; and,

FIG. 7 is a right side view thereof.

In the drawings, the broken lines depict portions of the nightlight which form no part of the claimed design.

1 Claim, 7 Drawing Sheets



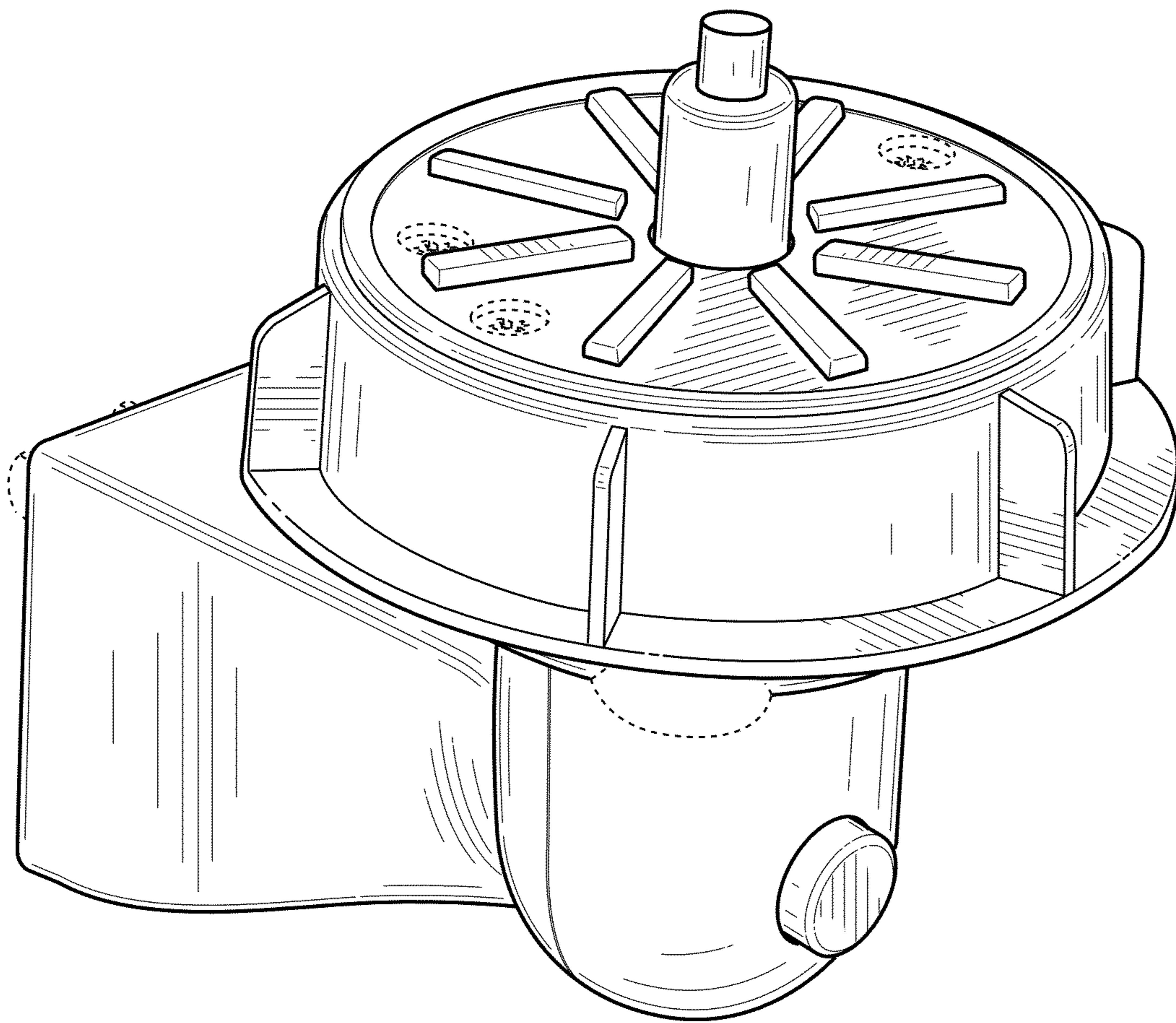


FIG. 1

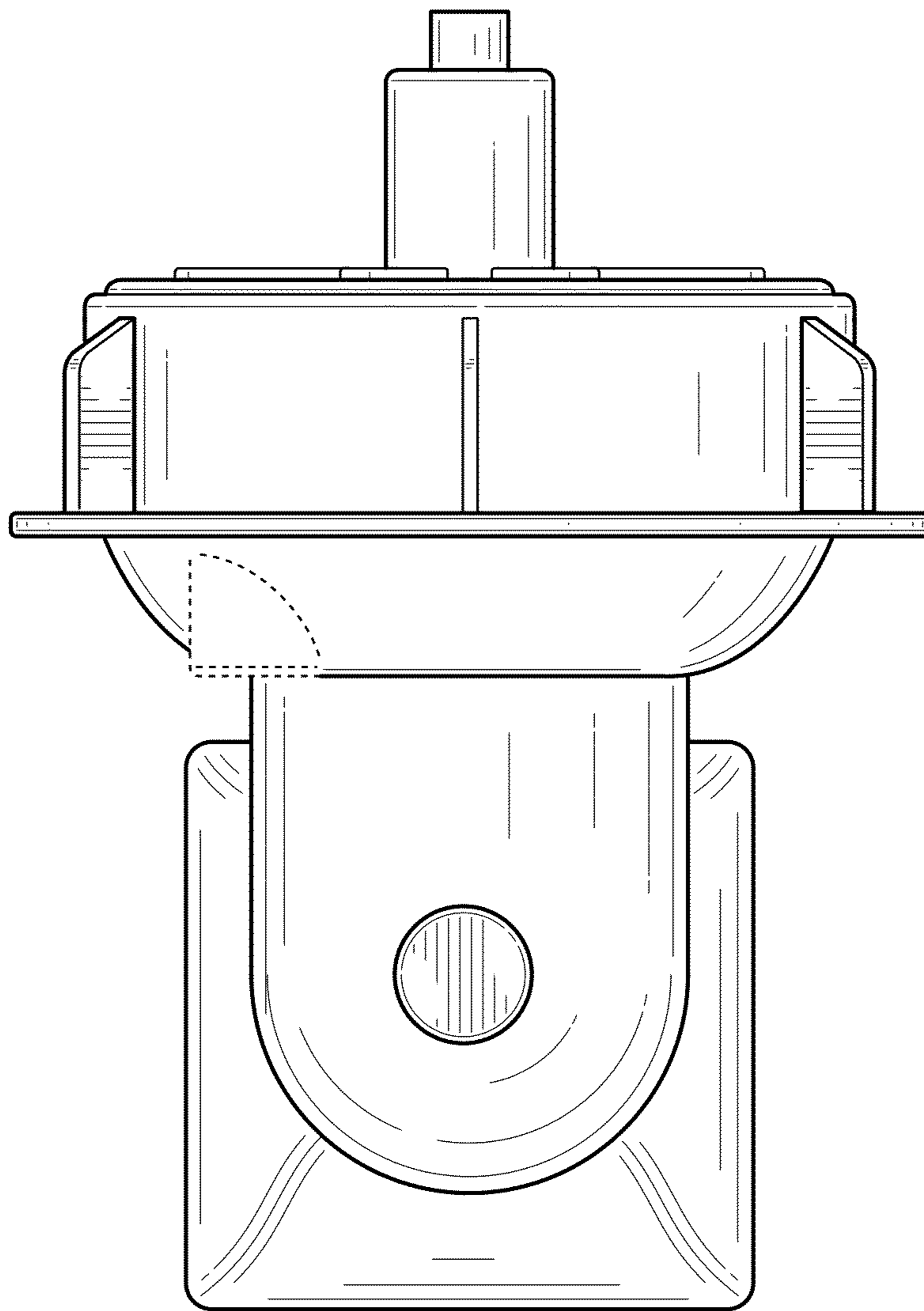


FIG. 2

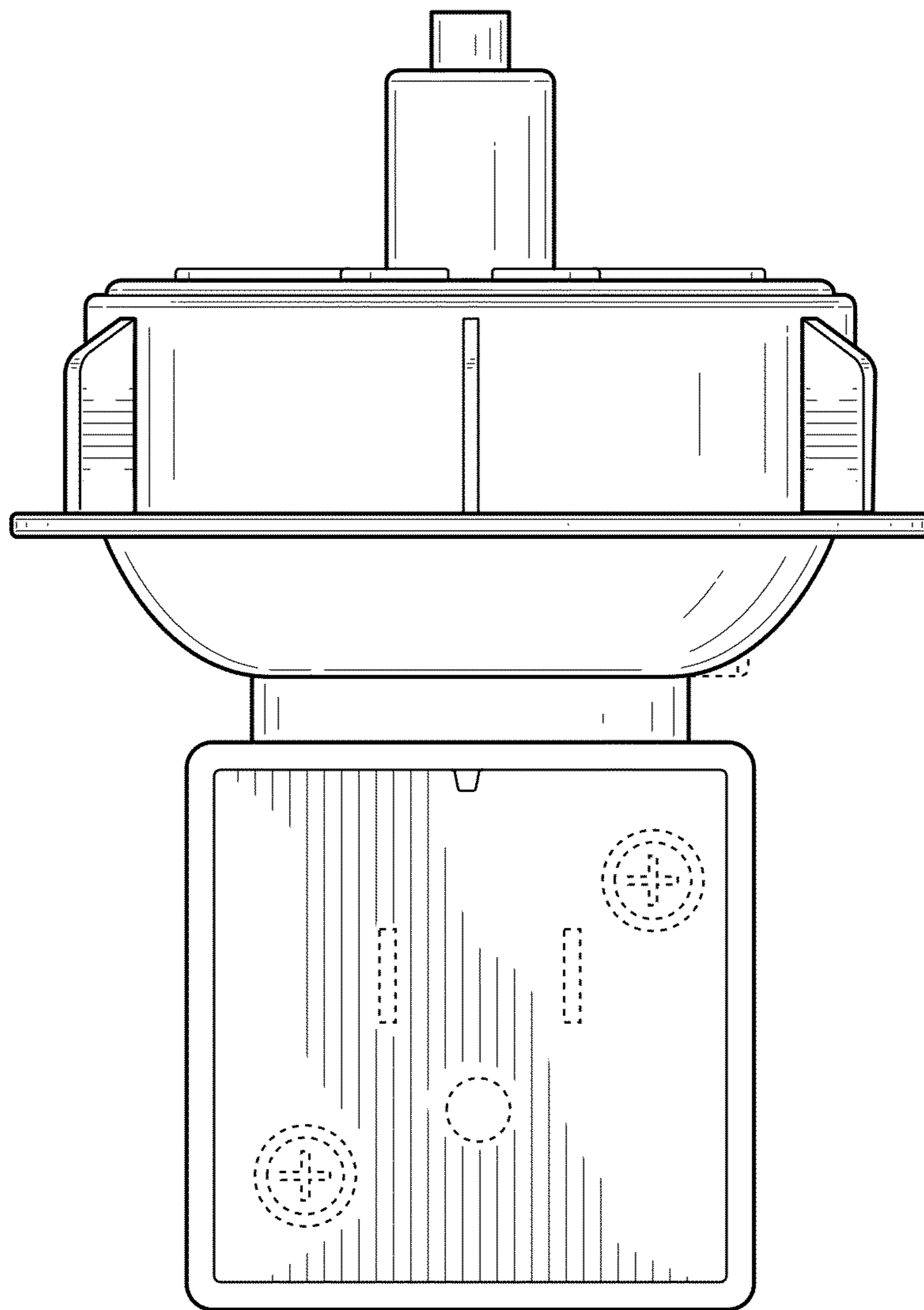


FIG. 3

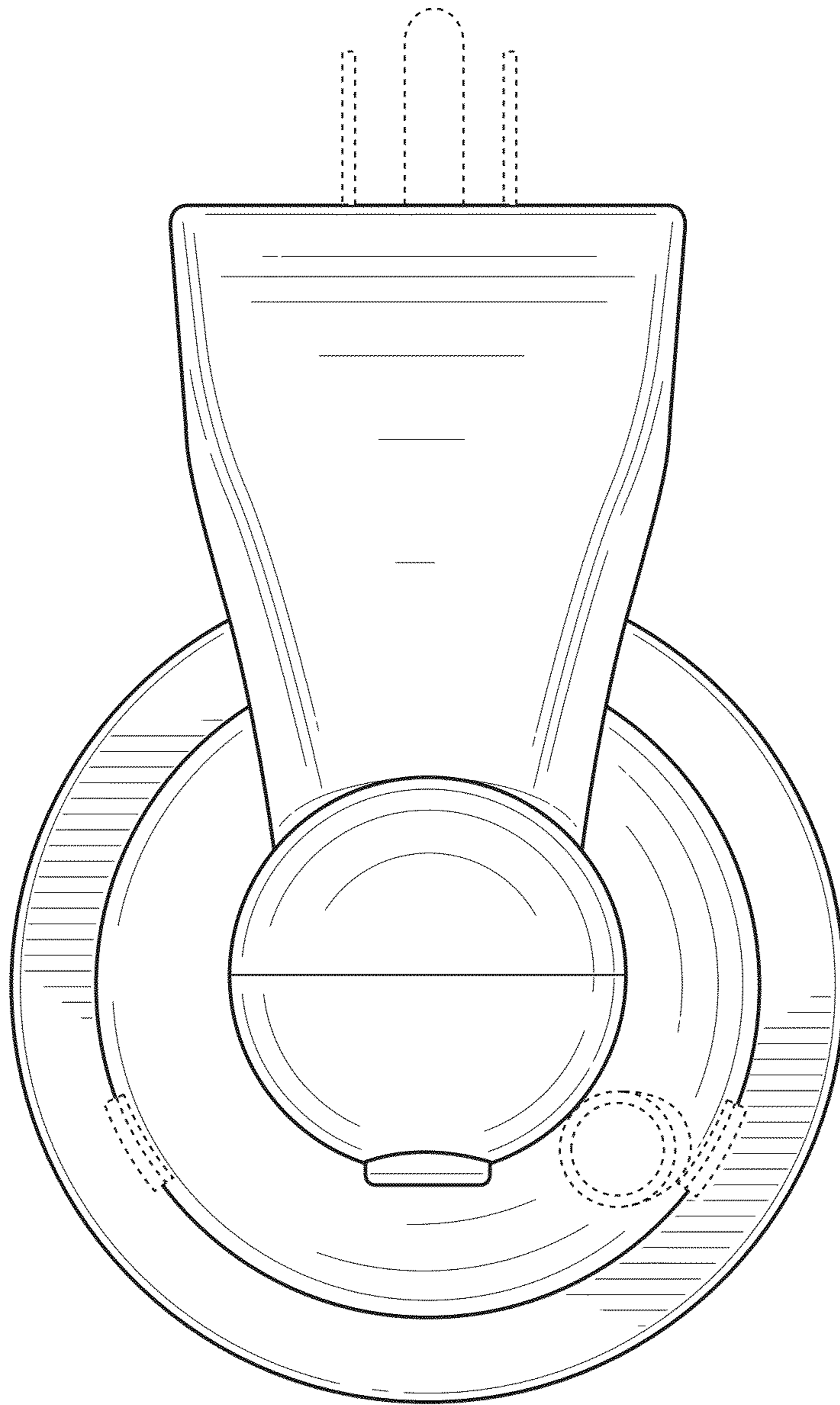


FIG. 4

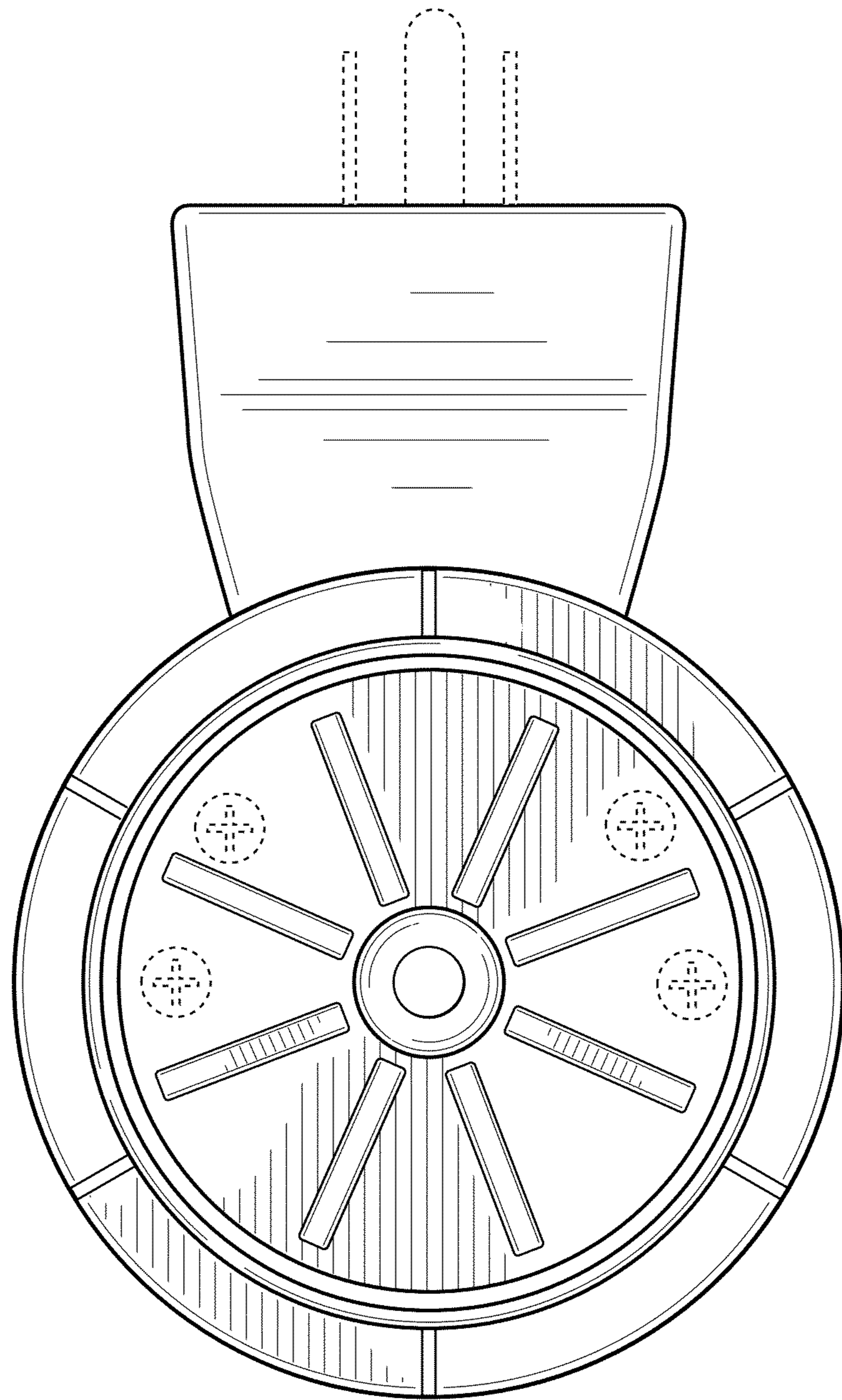


FIG. 5

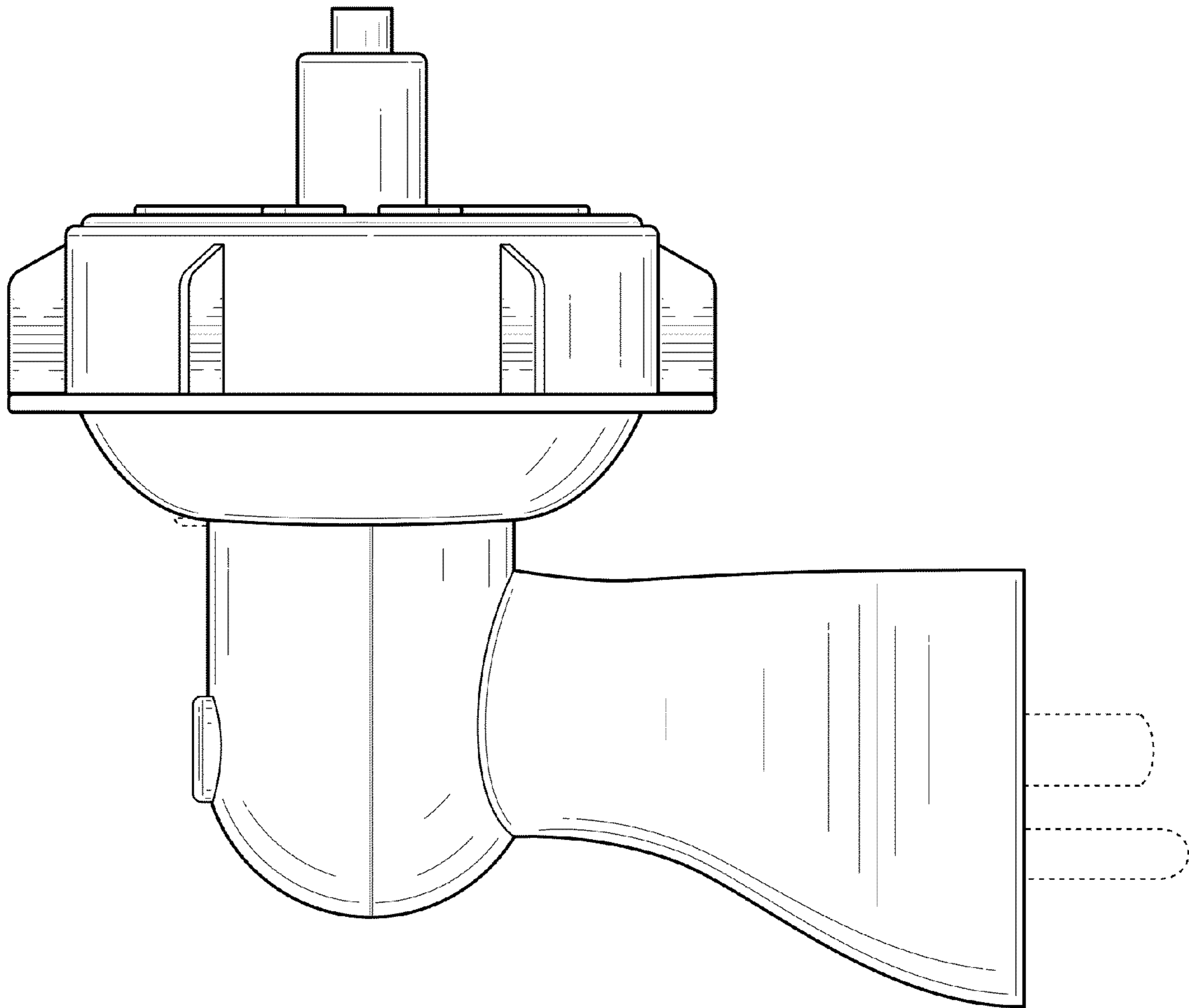


FIG. 6

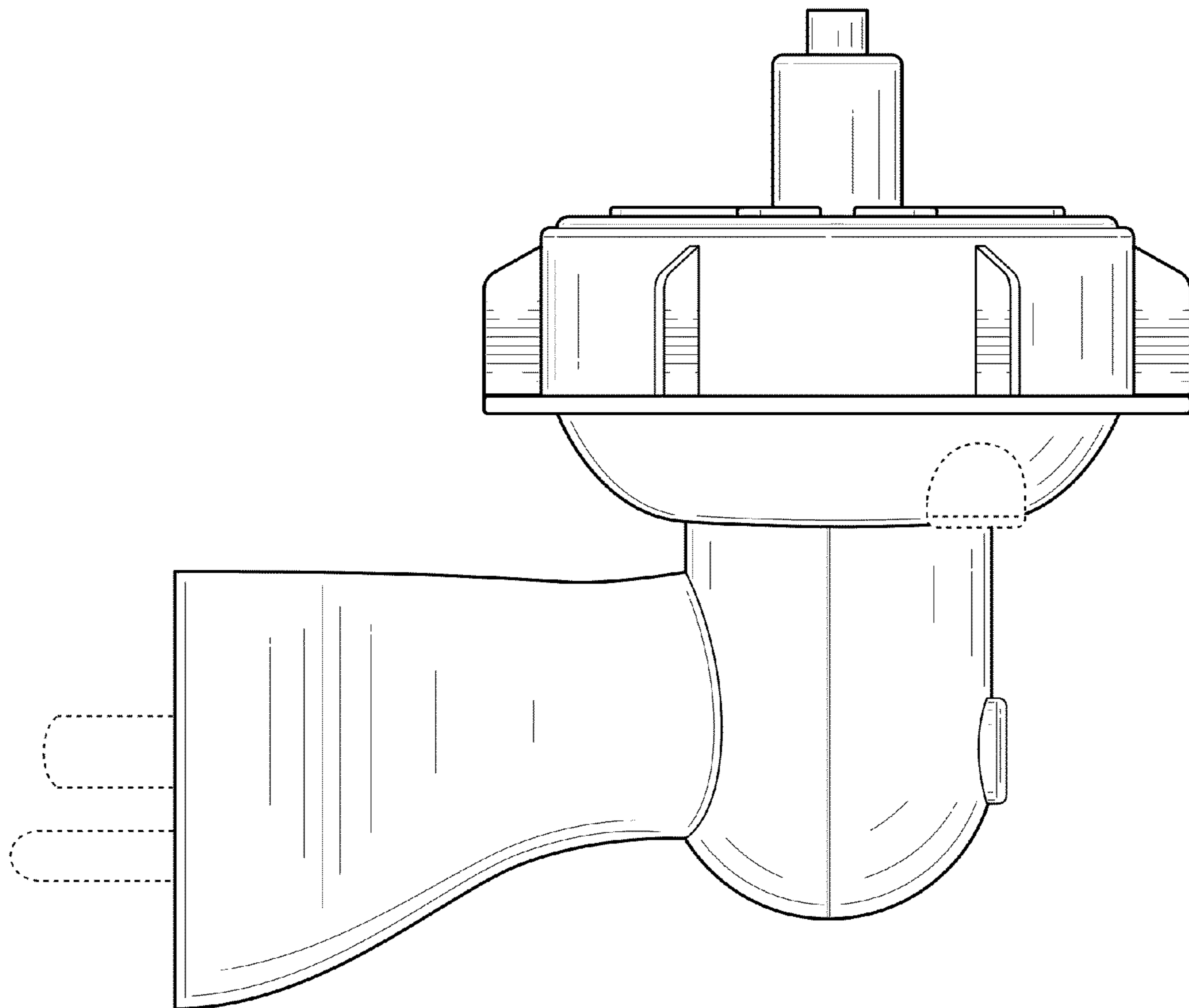


FIG. 7