



US00D721442S

(12) **United States Design Patent**
Wang

(10) **Patent No.:** **US D721,442 S**
(45) **Date of Patent:** **** Jan. 20, 2015**

- (54) **SAWHORSE**
- (71) Applicant: **Desheng Wang**, Zhejiang Province (CN)
- (72) Inventor: **Desheng Wang**, Zhejiang Province (CN)
- (**) Term: **14 Years**
- (21) Appl. No.: **29/446,015**
- (22) Filed: **Feb. 19, 2013**
- (51) **LOC (10) Cl.** **25-04**
- (52) **U.S. Cl.**
USPC **D25/67**
- (58) **Field of Classification Search**
USPC D15/141; D25/67
See application file for complete search history.

D392,746 S *	3/1998	Dickinson et al.	D25/67
5,954,156 A *	9/1999	Cooke	182/153
D425,210 S *	5/2000	DuRapau	D25/67
6,612,401 B1 *	9/2003	Price et al.	182/186.3
D634,858 S *	3/2011	Landau et al.	D25/67
D638,141 S *	5/2011	Busschaert et al.	D25/67
D708,351 S *	7/2014	Ken-Dror et al.	D25/67
2010/0282540 A1 *	11/2010	Moss et al.	182/119

* cited by examiner

Primary Examiner — Patricia Palasik

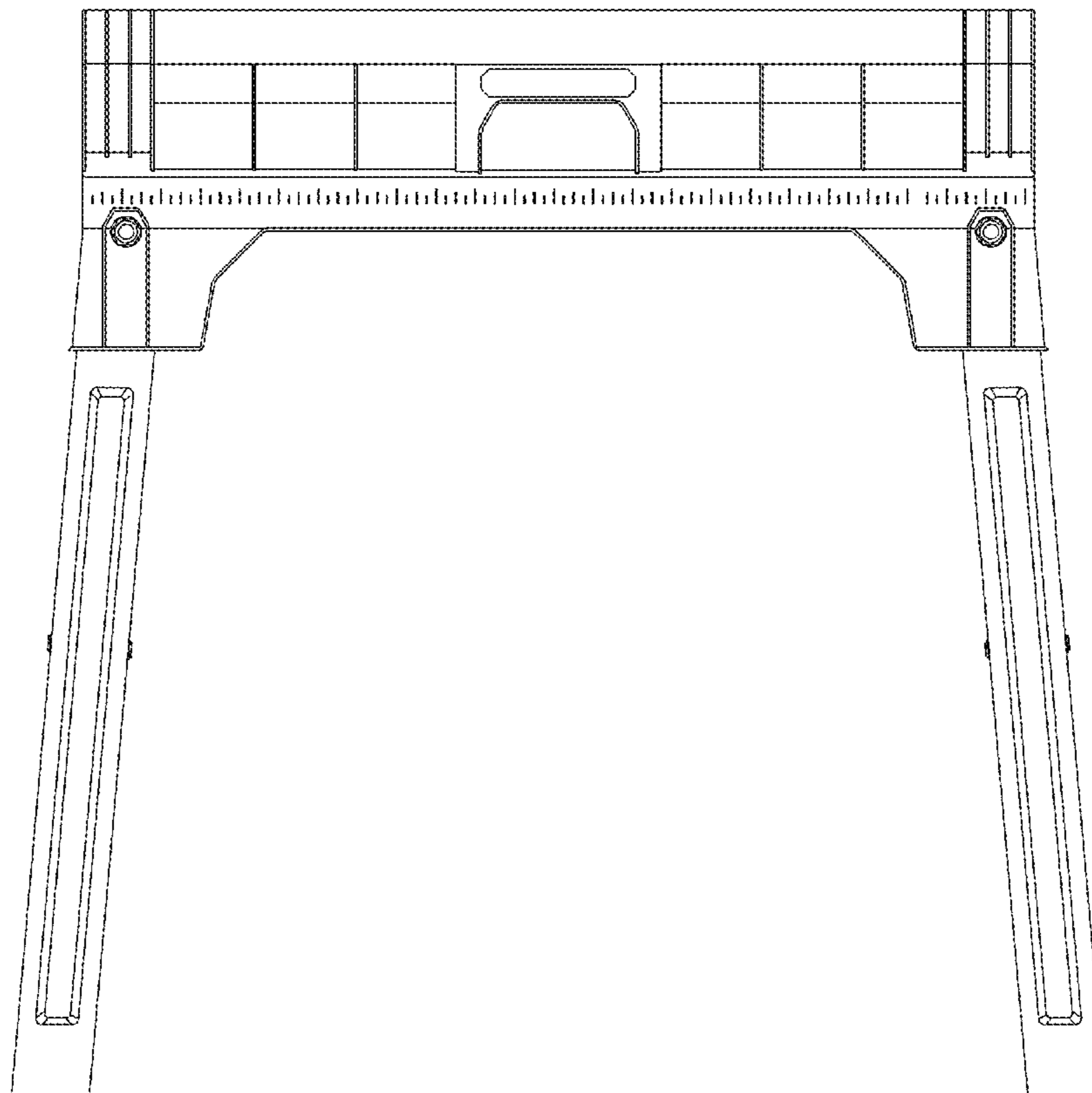
(57) **CLAIM**
The ornamental design for a sawhorse, as shown.

DESCRIPTION

FIG. 1 is a front elevational view of a sawhorse showing my new design;
FIG. 2 is a rear elevational view thereof;
FIG. 3 is a left side view thereof;
FIG. 4 is a right side view thereof;
FIG. 5 is a top plan view thereof; and,
FIG. 6 is a bottom plan view thereof.

1 Claim, 5 Drawing Sheets

- (56) **References Cited**
U.S. PATENT DOCUMENTS
5,101,932 A * 4/1992 Trudgeon 182/129
5,439,073 A * 8/1995 Johnson 182/153
RE35,627 E * 10/1997 Estrem 144/329



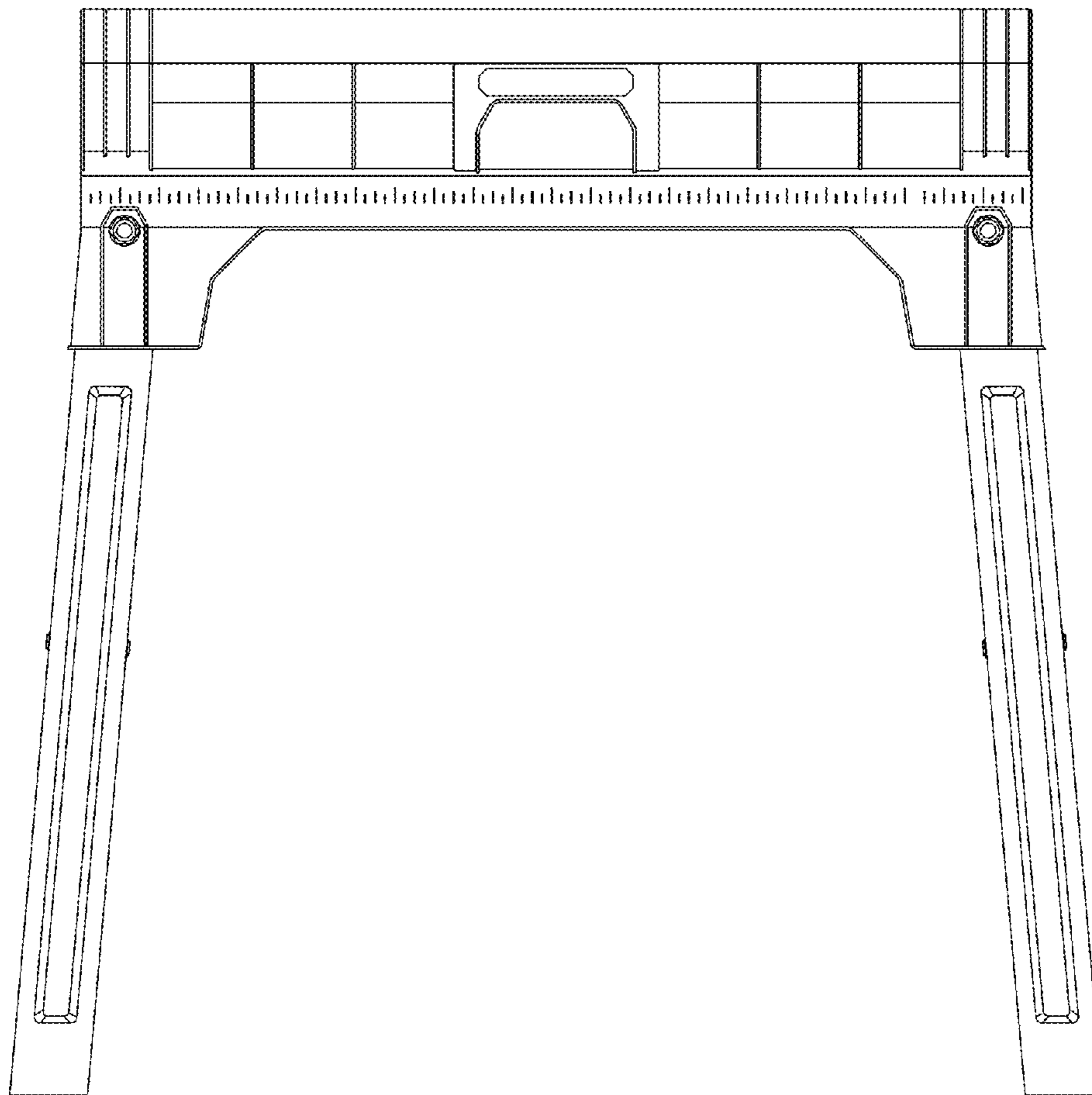


FIG. 1

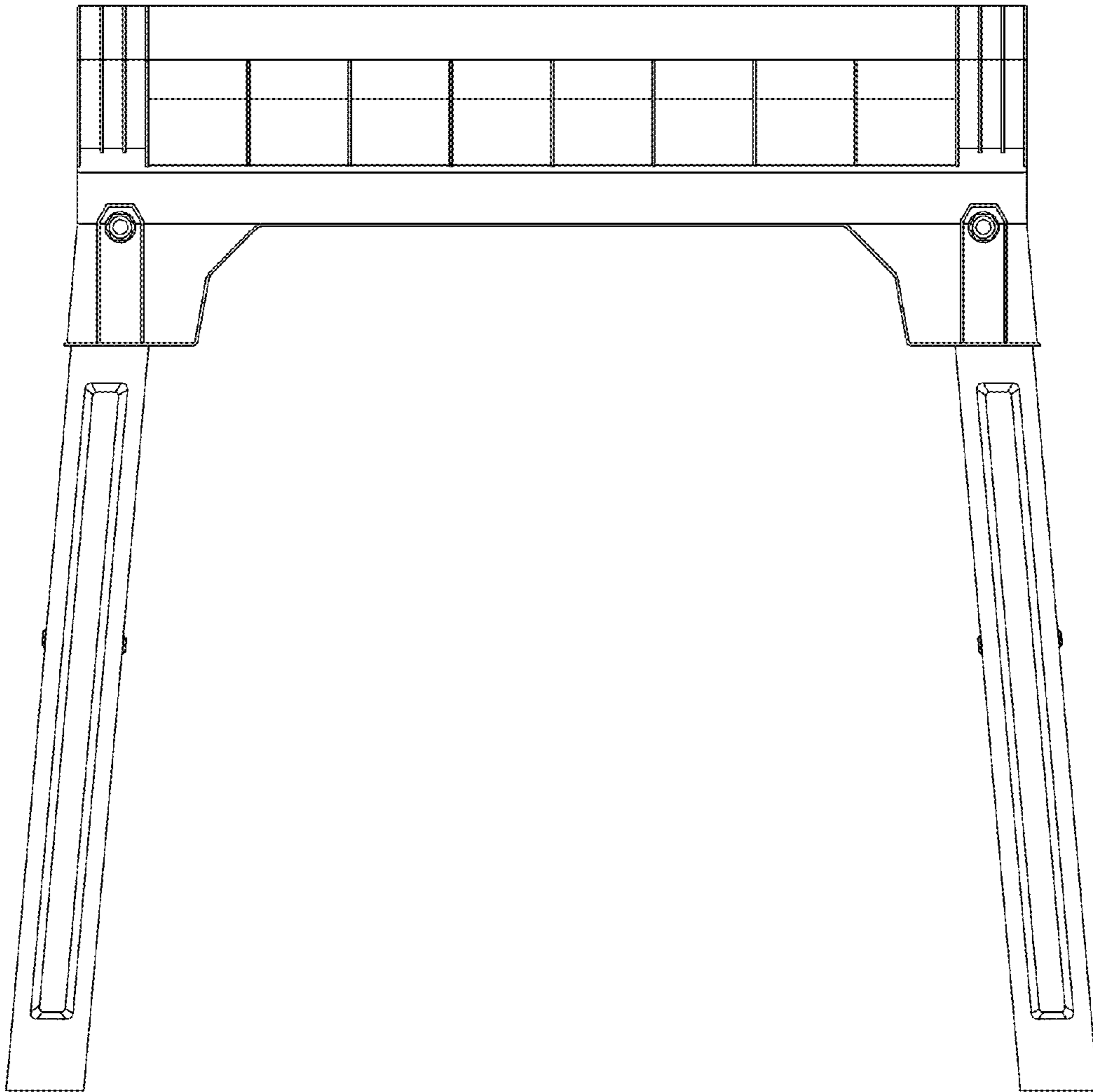


FIG. 2

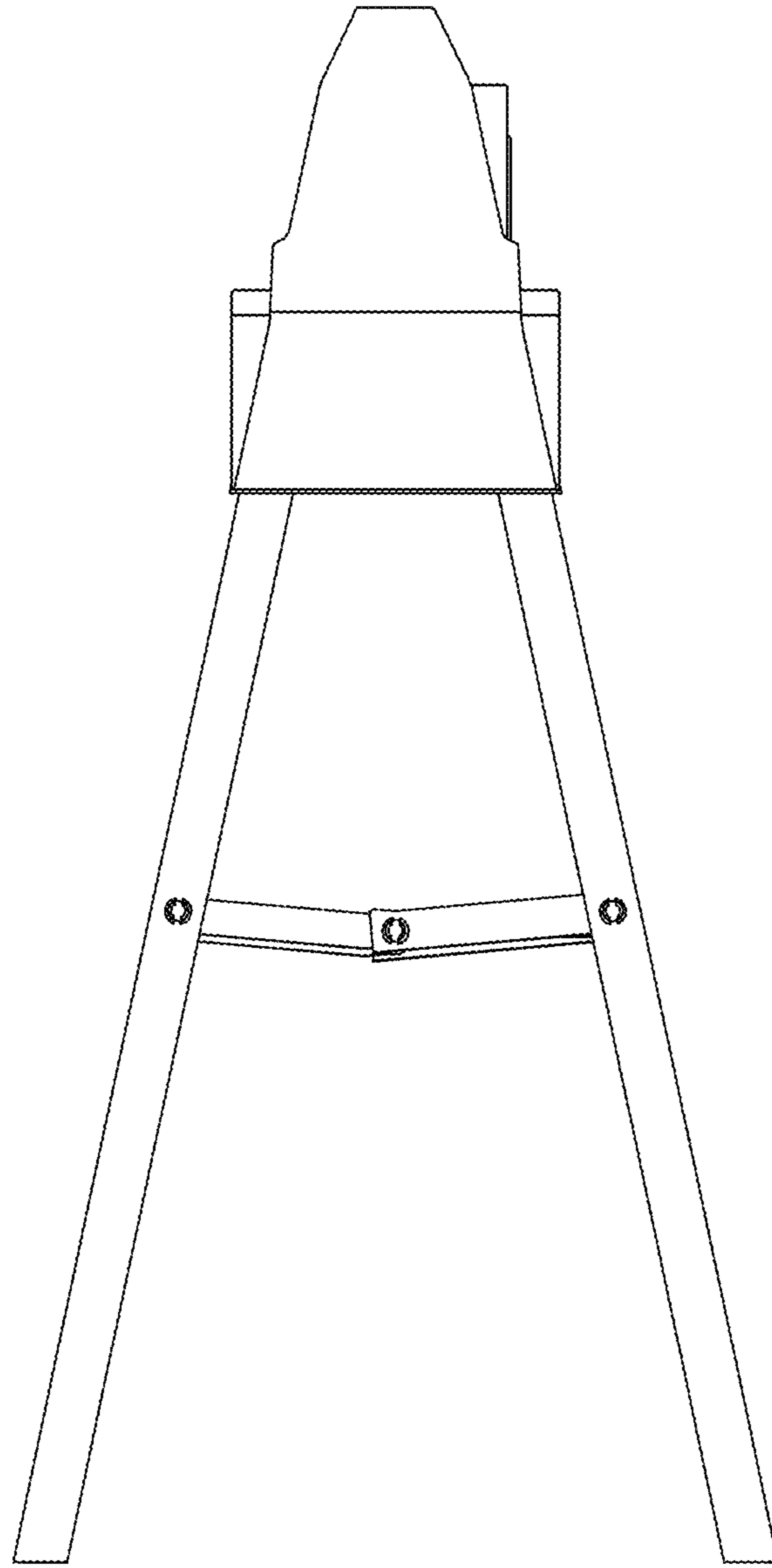


FIG. 3

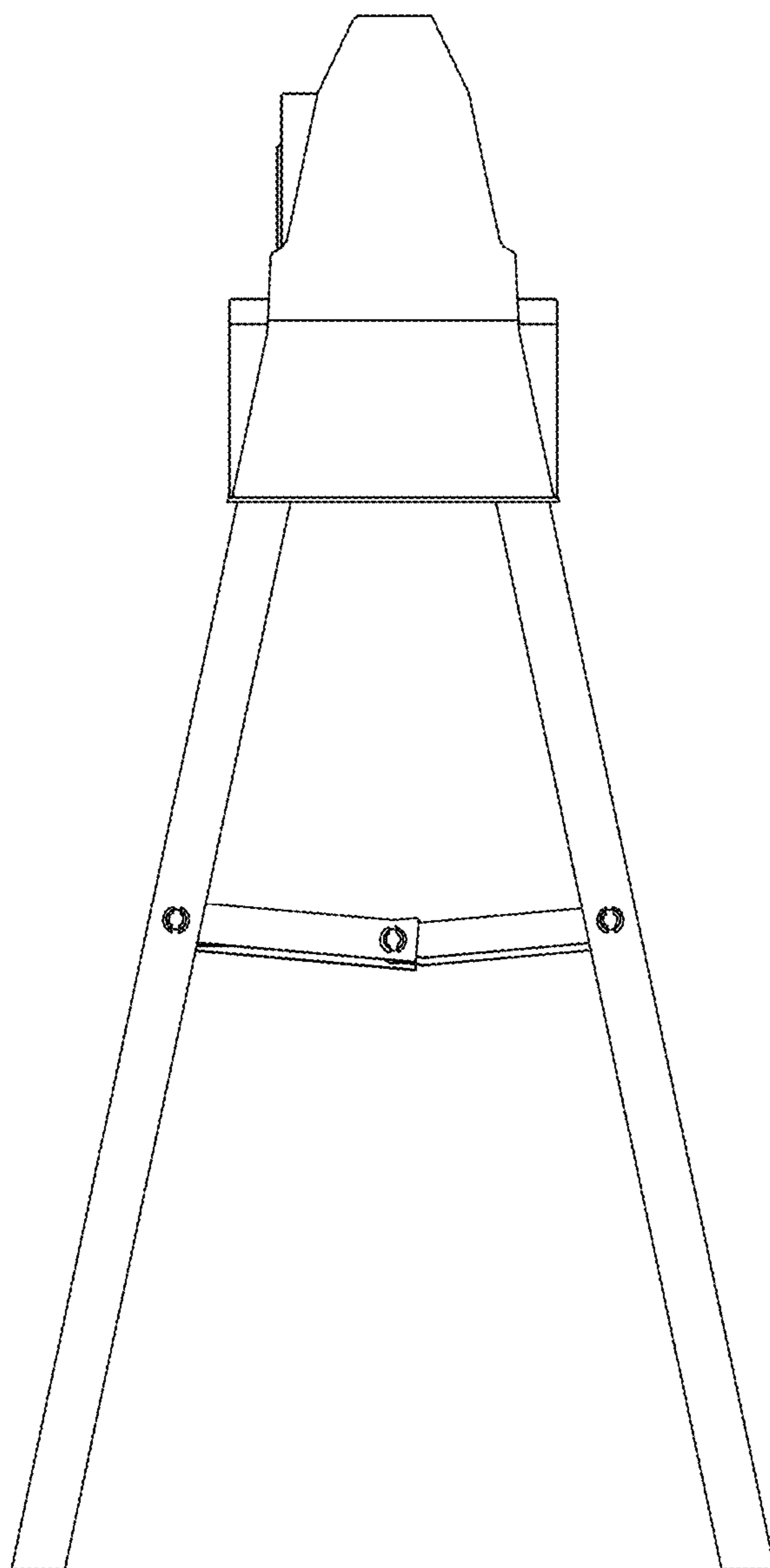


FIG. 4

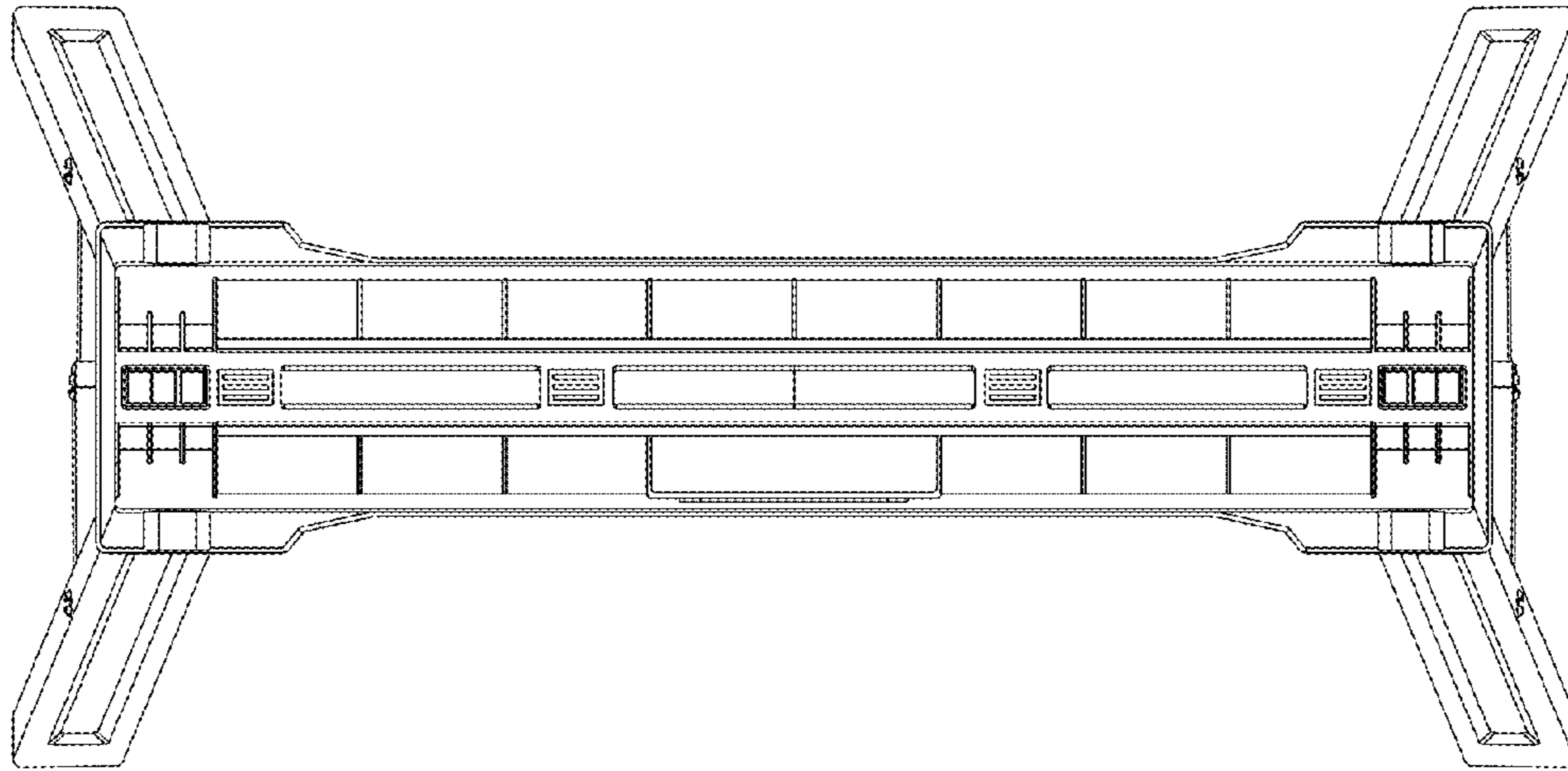


FIG. 5

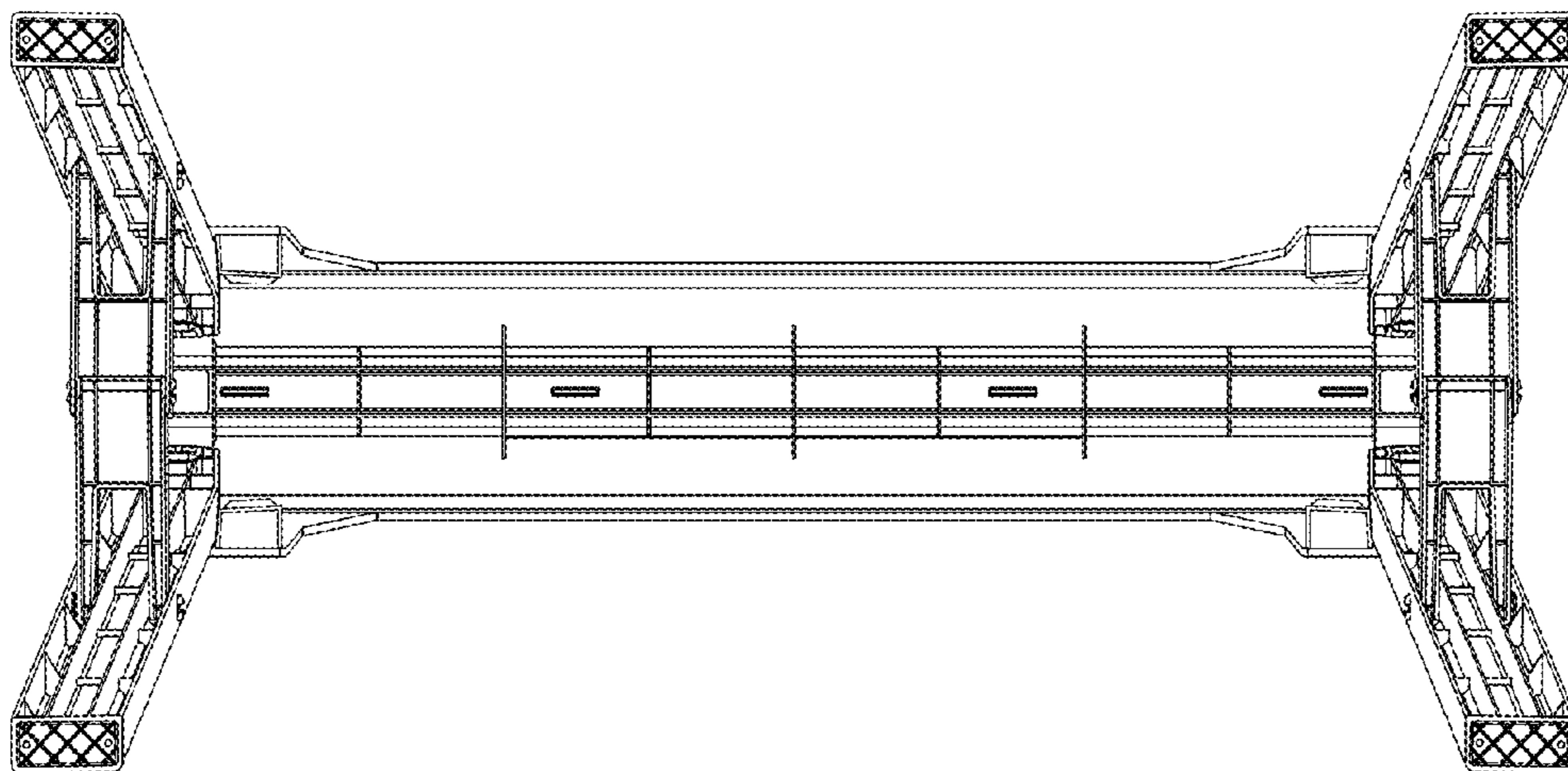


FIG. 6