



US00D721441S

(12) **United States Design Patent**
Tipton et al.

(10) **Patent No.:** **US D721,441 S**
(45) **Date of Patent:** **** Jan. 20, 2015**

(54) **STERILIZATION CASSETTE**

FOREIGN PATENT DOCUMENTS

(71) Applicant: **Hu-Friedy Mfg. Co., LLC**, Chicago, IL (US)

DE 2713094 A1 10/1978
DE 19535823 A1 3/1997

(72) Inventors: **David W. Tipton**, Chicago, IL (US);
Timothy J. Fischer, Chicago, IL (US);
David K. Platt, Mount Prospect, IL (US);
Chantel D. Willis, Munster, IN (US);
Jennifer Radovich Naylor, Batavia, IL (US);
Marjavis J. Matthis, Chicago, IL (US);
Mark Kurth, Beverly Shores, IN (US);
Timothy Payne, Chicago, IL (US);
Philip Anthony, Chicago, IL (US)

(Continued)

OTHER PUBLICATIONS

Applicant's co-pending U.S. Appl. No. 29/424,877, filed Jun. 16, 2012, entitled Sterilization Cassette, Tipton, et al.

Primary Examiner — Anhdao Doan

(74) *Attorney, Agent, or Firm* — Marshall, Gerstein & Borun LLP

(73) Assignee: **Hu-Friedy Mfg. Co., LLC**, Chicago, IL (US)

(57) **CLAIM**

The ornamental design for sterilization cassette, as shown and described.

(**) Term: **14 Years**

(21) Appl. No.: **29/485,585**

DESCRIPTION

(22) Filed: **Mar. 20, 2014**

Related U.S. Application Data

(62) Division of application No. 29/452,322, filed on Apr. 15, 2013, now Pat. No. Des. 705,442.

(51) **LOC (10) Cl.** **24-01**

(52) **U.S. Cl.**
USPC **D24/217**

(58) **Field of Classification Search**
USPC D24/216, 217, 218, 224, 227, 231, 194,
D24/197; D3/203.1, 264, 294; D9/420, 423,
D9/432; 422/20, 21, 22, 24, 26, 297, 300,
422/303; 220/529, 735; 206/370, 438;
D32/1; D7/326, 538, 629; D5/1, 2, 5,
D5/54, 59, 61; D25/153, 155, 157, 158
See application file for complete search history.

FIG. 1 is a perspective view of the sterilization cassette of the present invention;

FIG. 2 is a front plan view of the sterilization cassette illustrated in FIG. 1;

FIG. 3 is a right side elevational view of the sterilization cassette illustrated in FIG. 1, with the left side elevational view being a mirror image thereof;

FIG. 4 is a top plan view of the sterilization cassette illustrated in FIG. 1, with the bottom view being a mirror image thereof;

FIG. 5 is a perspective view of the sterilization cassette in accordance with a second embodiment of the present invention;

FIG. 6 is a front plan view of the sterilization cassette illustrated in FIG. 5;

FIG. 7 is a right side elevational view of the sterilization cassette illustrated in FIG. 5, with the left side elevational view being a mirror image thereof; and,

FIG. 8 is a top plan view of the sterilization cassette illustrated in FIG. 5, with the bottom view being a mirror image thereof. The broken lines in the drawing views are included for the purpose of illustrating portions of the sterilization cassette that form no part of the claimed design.

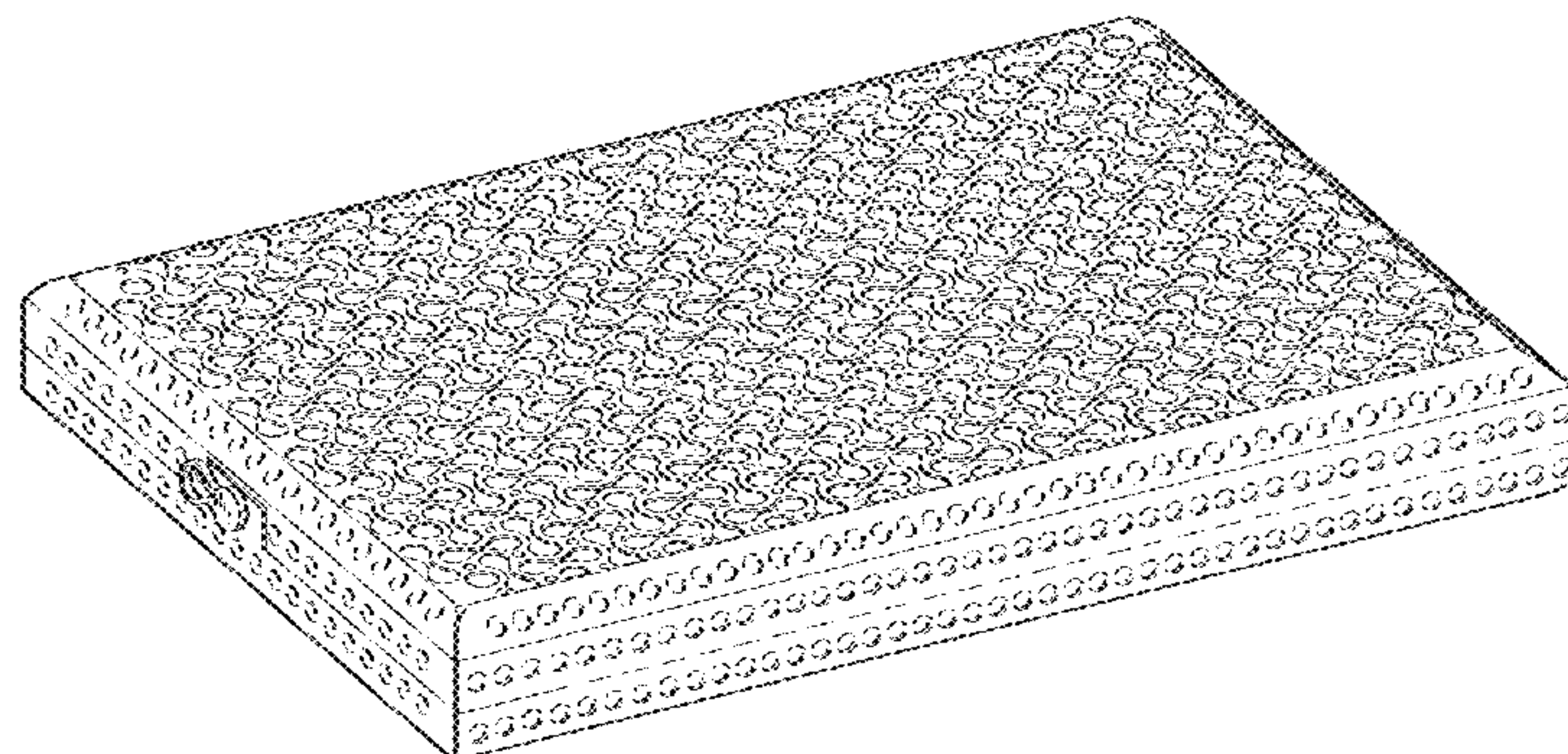
(56) **References Cited**

U.S. PATENT DOCUMENTS

1,228,464 A 6/1917 Mazzei
3,133,635 A 5/1964 Gordon

(Continued)

1 Claim, 4 Drawing Sheets



(56)

References Cited

U.S. PATENT DOCUMENTS

D209,577 S 12/1967 Pompili
 4,043,754 A 8/1977 Sklar
 4,135,868 A 1/1979 Schainholz
 4,541,992 A 9/1985 Jerge et al.
 D295,075 S 4/1988 Jerge et al.
 4,774,063 A 9/1988 Runnells
 4,798,292 A 1/1989 Hauze
 4,854,475 A 8/1989 Riihimaki et al.
 5,084,251 A 1/1992 Thomas
 5,173,273 A 12/1992 Brewer
 5,215,726 A 6/1993 Kudla et al.
 5,268,970 A 12/1993 Tanaka
 5,279,800 A 1/1994 Berry, Jr.
 5,281,400 A 1/1994 Berry, Jr.
 5,284,632 A 2/1994 Kudla et al.
 5,294,413 A 3/1994 Riihimaki et al.
 5,340,551 A 8/1994 Berry, Jr.
 5,346,677 A 9/1994 Risk
 5,376,677 A 12/1994 Trah
 5,384,103 A 1/1995 Miller
 5,407,069 A 4/1995 Schmieding et al.
 5,422,067 A 6/1995 Barney
 5,424,048 A 6/1995 Riley
 D360,697 S 7/1995 Riihimaki et al.
 5,433,929 A 7/1995 Riihimaki et al.
 5,451,379 A 9/1995 Bowlin, Jr.
 5,482,067 A 1/1996 Wittrock et al.
 5,492,671 A 2/1996 Krafft
 5,505,916 A 4/1996 Berry, Jr.
 D371,203 S 6/1996 Deeds
 D371,444 S 7/1996 Madjar
 5,725,097 A 3/1998 Bettenhausen et al.
 5,732,821 A 3/1998 Stone et al.
 5,759,502 A 6/1998 Spencer et al.
 5,762,202 A 6/1998 Atad
 5,840,261 A 11/1998 Monch
 5,843,387 A 12/1998 Dane et al.
 5,882,612 A 3/1999 Riley
 5,918,740 A 7/1999 Berry, Jr.
 D421,309 S 2/2000 Riley et al.
 D427,881 S 7/2000 Weinerman et al.
 6,099,812 A 8/2000 Allen et al.
 6,138,850 A 10/2000 Berry, III
 D437,060 S 1/2001 Mayer
 6,193,932 B1 2/2001 Wu et al.
 6,217,835 B1 4/2001 Riley et al.
 D441,457 S 5/2001 Neiner et al.
 6,264,902 B1 7/2001 Howlett
 6,331,280 B1 12/2001 Wood
 D454,691 S 3/2002 Proot et al.
 6,365,115 B1 4/2002 Wood
 6,368,565 B1 4/2002 Michaelson et al.

6,382,575 B1 5/2002 Frush et al.
 D458,033 S 6/2002 Cassingham
 D458,448 S 6/2002 Jakab
 6,468,482 B1 10/2002 Frieze et al.
 D472,057 S 3/2003 Cassingham
 6,534,000 B1 3/2003 Michaelson et al.
 6,585,942 B1 7/2003 Bussell et al.
 6,634,499 B2 10/2003 Allen et al.
 D487,315 S * 3/2004 Picot et al. D24/217
 6,713,029 B1 3/2004 Krafft et al.
 D489,595 S 5/2004 Gleichauf et al.
 6,783,004 B1 8/2004 Rinner
 6,827,913 B2 12/2004 Wood
 D516,318 S * 3/2006 Hasenoehrl et al. D5/1
 D526,064 S 8/2006 Wood
 D530,824 S 10/2006 Bennison
 D531,035 S 10/2006 Pugne
 D537,950 S 3/2007 Haunschild et al.
 D542,928 S 5/2007 Bauer
 D548,970 S 8/2007 Huang
 D557,814 S 12/2007 Glenn et al.
 D558,977 S 1/2008 Peart et al.
 D579,117 S 10/2008 Weiss et al.
 D586,557 S 2/2009 Jalet
 7,544,336 B2 6/2009 Powell
 7,717,264 B2 5/2010 Bettenhausen et al.
 7,748,529 B2 7/2010 Foreman et al.
 7,871,582 B2 1/2011 Riley et al.
 7,905,353 B2 3/2011 Baker et al.
 8,069,998 B2 12/2011 Thomas
 D658,777 S 5/2012 Sweet, II et al.
 2003/0011849 A1 1/2003 Farmer et al.
 2005/0016135 A1 1/2005 Heikaus
 2005/0161355 A1 7/2005 Matthis et al.
 2008/0149512 A1 6/2008 Dane
 2009/0223972 A1 9/2009 Allen
 2010/0065456 A1 3/2010 Junk et al.
 2011/0071572 A1 3/2011 Sixto et al.
 2012/0085720 A1 4/2012 Bettenhausen et al.

FOREIGN PATENT DOCUMENTS

DE 19851239 A1 5/2000
 DE 202005015459 U1 12/2005
 DE 102005047097 A1 4/2007
 DE 102005047099 A1 4/2007
 DE 202007010742 U1 11/2007
 DE 102007003223 A1 7/2008
 EP 633101 A1 1/1995
 EP 1281369 A1 2/2003
 GB 2105591 A 3/1983
 GB 2328680 A 3/1999
 JP 2010063889 A 3/2010
 WO WO-940105 A1 1/1994

* cited by examiner

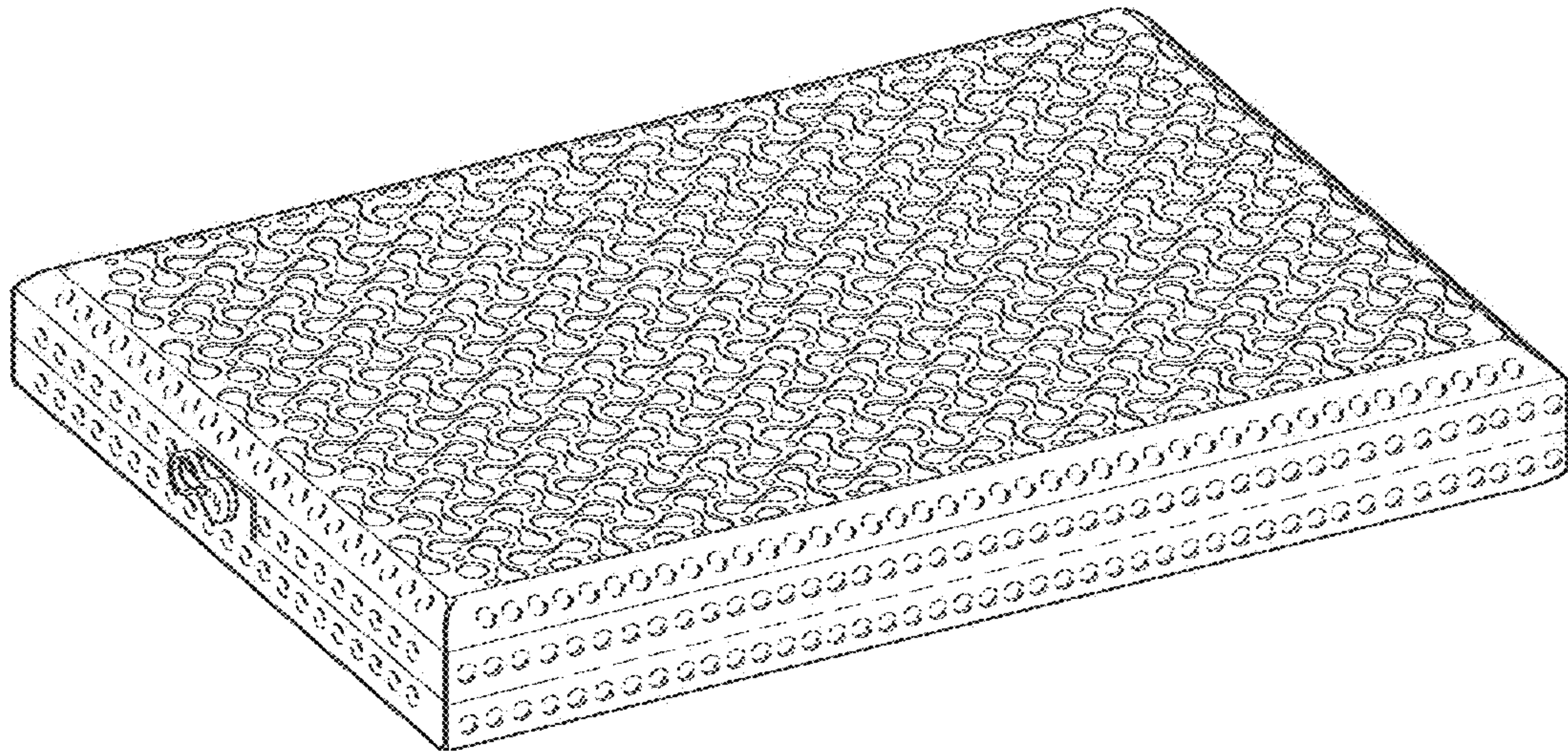


FIG. 1

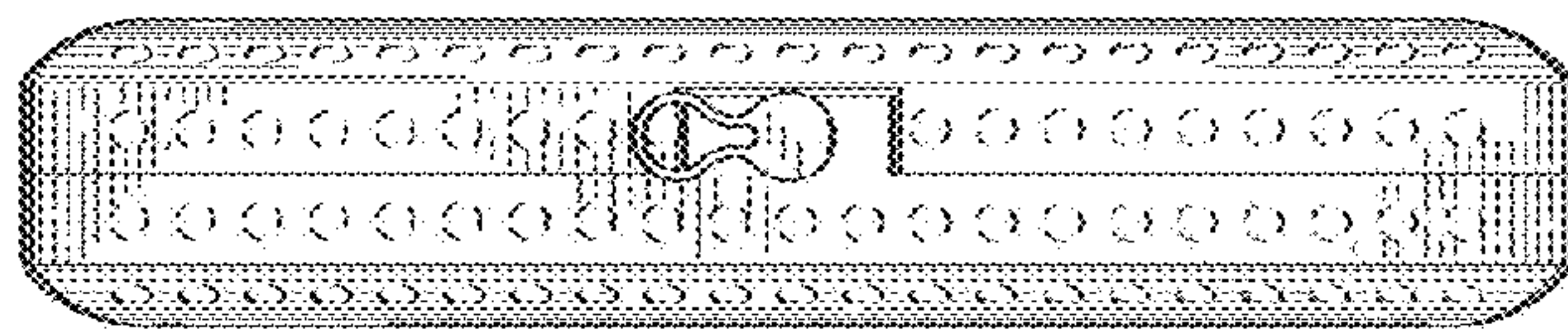


FIG. 2

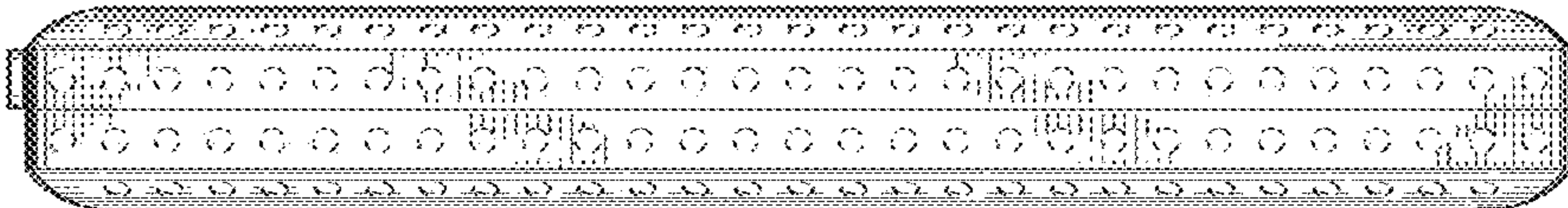


FIG. 3

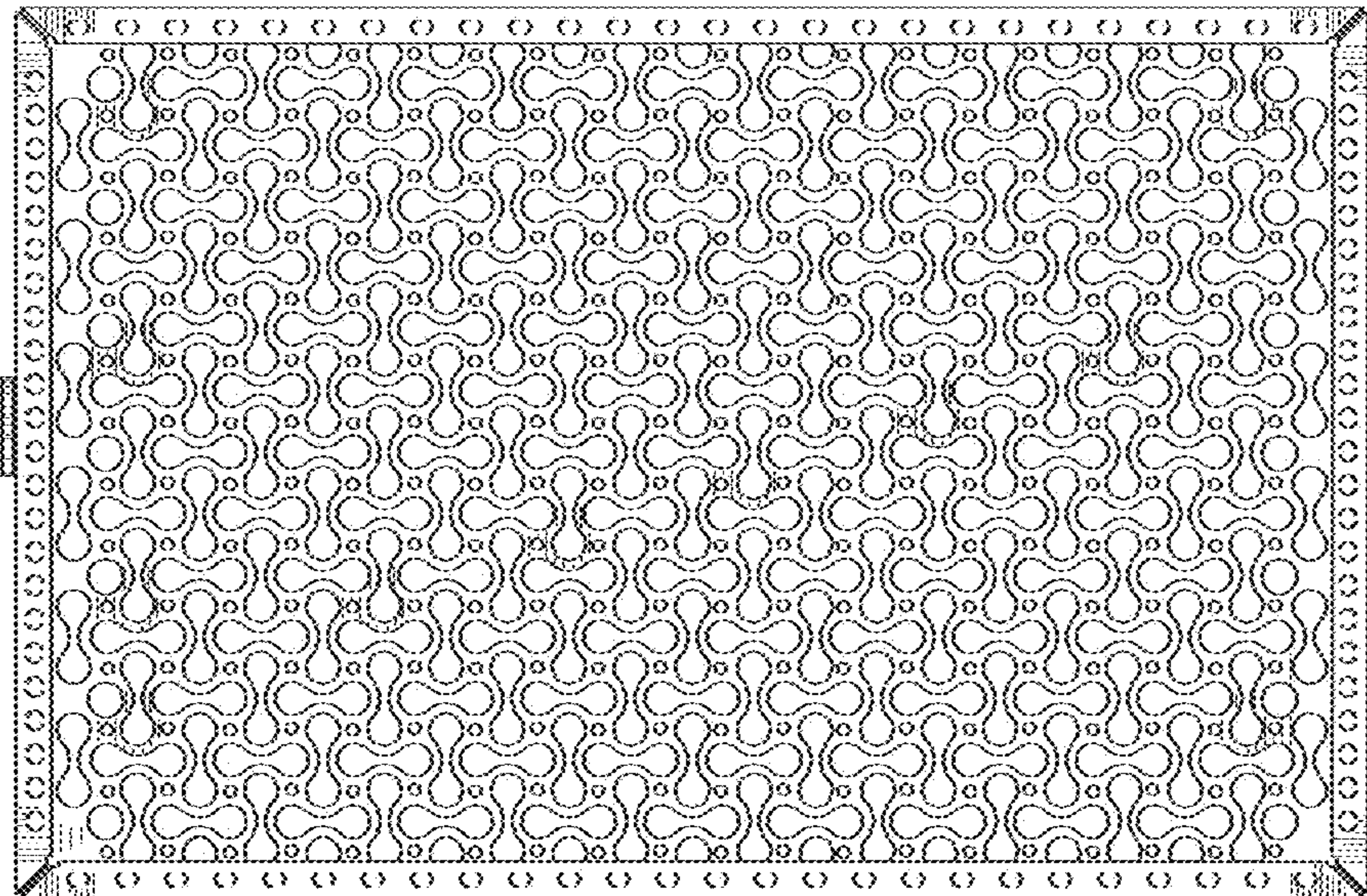


FIG. 4

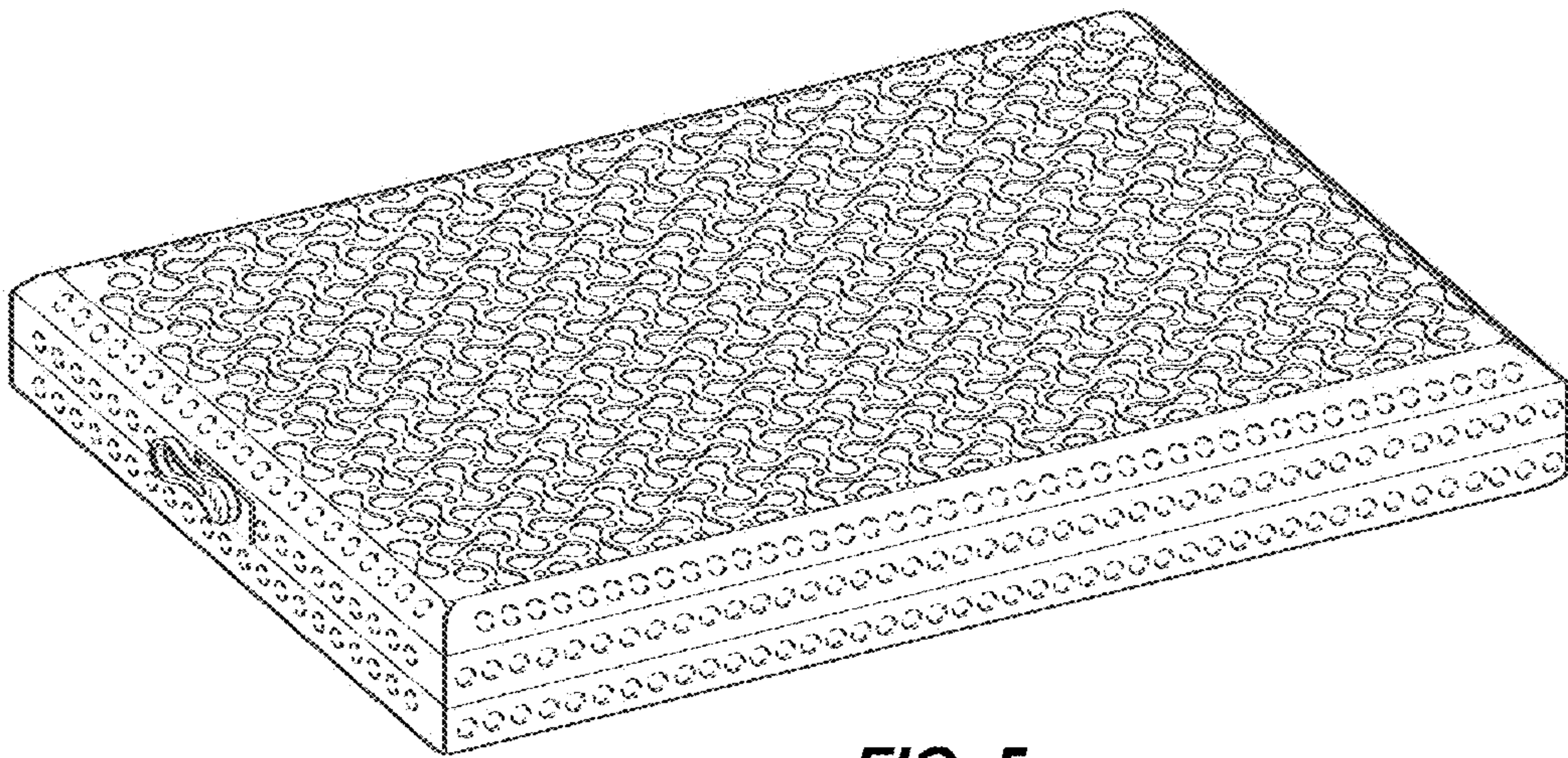


FIG. 5



FIG. 6

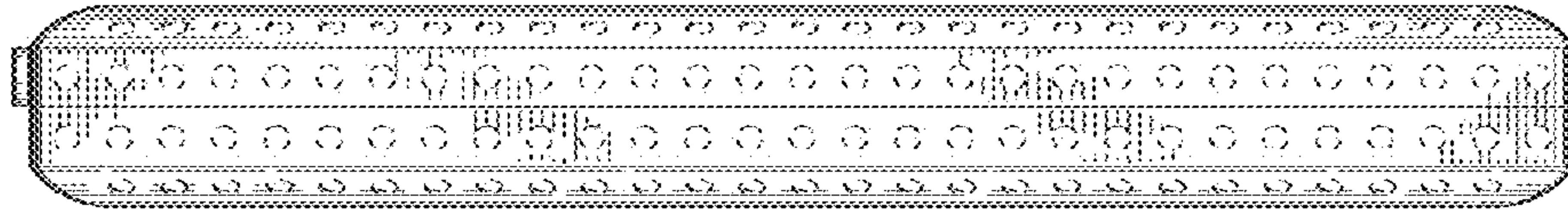


FIG. 7

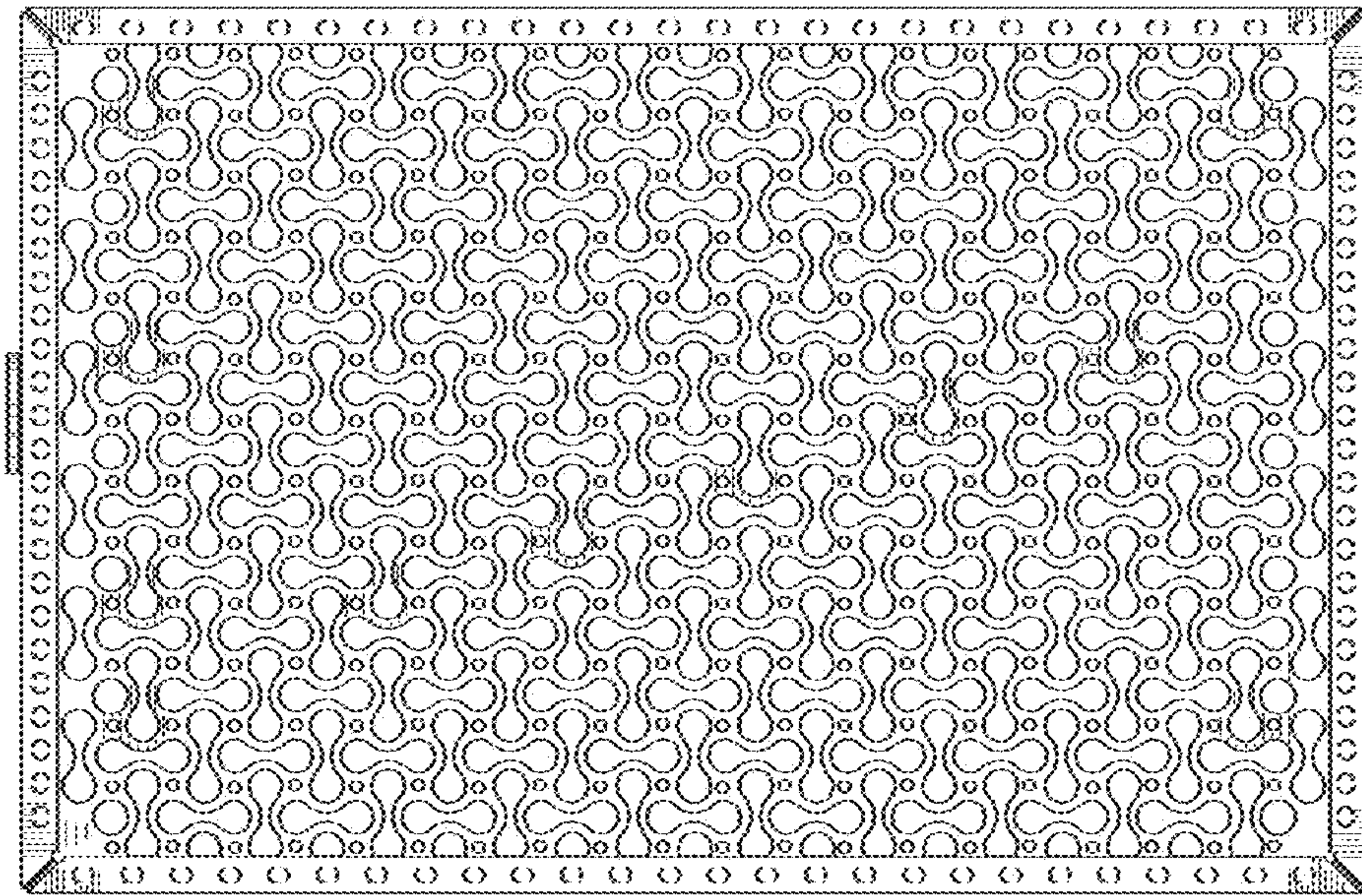


FIG. 8