



US00D721440S

(12) **United States Design Patent**  
**Pursel et al.**

(10) **Patent No.:** **US D721,440 S**  
(45) **Date of Patent:** **\*\* Jan. 20, 2015**

(54) **INSTRUMENT FOR TREATMENT OF SOFT TISSUE**

(71) Applicant: **Tissue Tools LLC**, Conshohocken, PA (US)

(72) Inventors: **Mark W. Pursel**, Grantville, PA (US);  
**Francis X. Osborne**, West Conshohocken, PA (US)

(73) Assignee: **Tissue Tools, LLC**, Conshohocken, PA (US)

(\*\*) Term: **14 Years**

(21) Appl. No.: **29/492,882**

(22) Filed: **Jun. 3, 2014**

**Related U.S. Application Data**

(63) Continuation of application No. 13/385,610, filed on Apr. 21, 2011, now abandoned.

(51) **LOC (10) Cl.** ..... **28-03**

(52) **U.S. Cl.**  
USPC ..... **D24/214**

(58) **Field of Classification Search**  
CPC ..... A61H 9/00; A61H 9/30; A61H 9/32;  
A61H 9/34; A61H 9/40; A61H 9/44; A61H 9/50  
USPC ..... D24/211-215; 601/114, 120, 121, 124,  
601/125, 130, 131, 134, 135, 136, 137;  
D28/91.2  
See application file for complete search history.

(56) **References Cited**

**U.S. PATENT DOCUMENTS**

4,995,422 A \* 2/1991 Chew et al. .... 137/504  
D346,866 S \* 5/1994 Lotuaco ..... D24/200  
D495,422 S \* 8/2004 Chen ..... D24/211

D558,343 S \* 12/2007 Sisto ..... D24/133  
2003/0023139 A1 \* 1/2003 Hartz ..... 600/38  
2004/0019305 A1 \* 1/2004 Tu ..... 601/107  
2014/0171842 A1 \* 6/2014 Conner et al. .... 601/46

**OTHER PUBLICATIONS**

Graston Technique; Jan. 25, 2010; retrieved from <https://web.archive.org/web/20100125103150/http://www.grastontechnique.com/AboutUs/> . . . .

Hawk Grips; Dec. 8, 2012; retrieved from: <http://hawkgrips.com/our-products/>.

\* cited by examiner

*Primary Examiner* — Sandra Snapp

(74) *Attorney, Agent, or Firm* — Design IP

(57) **CLAIM**

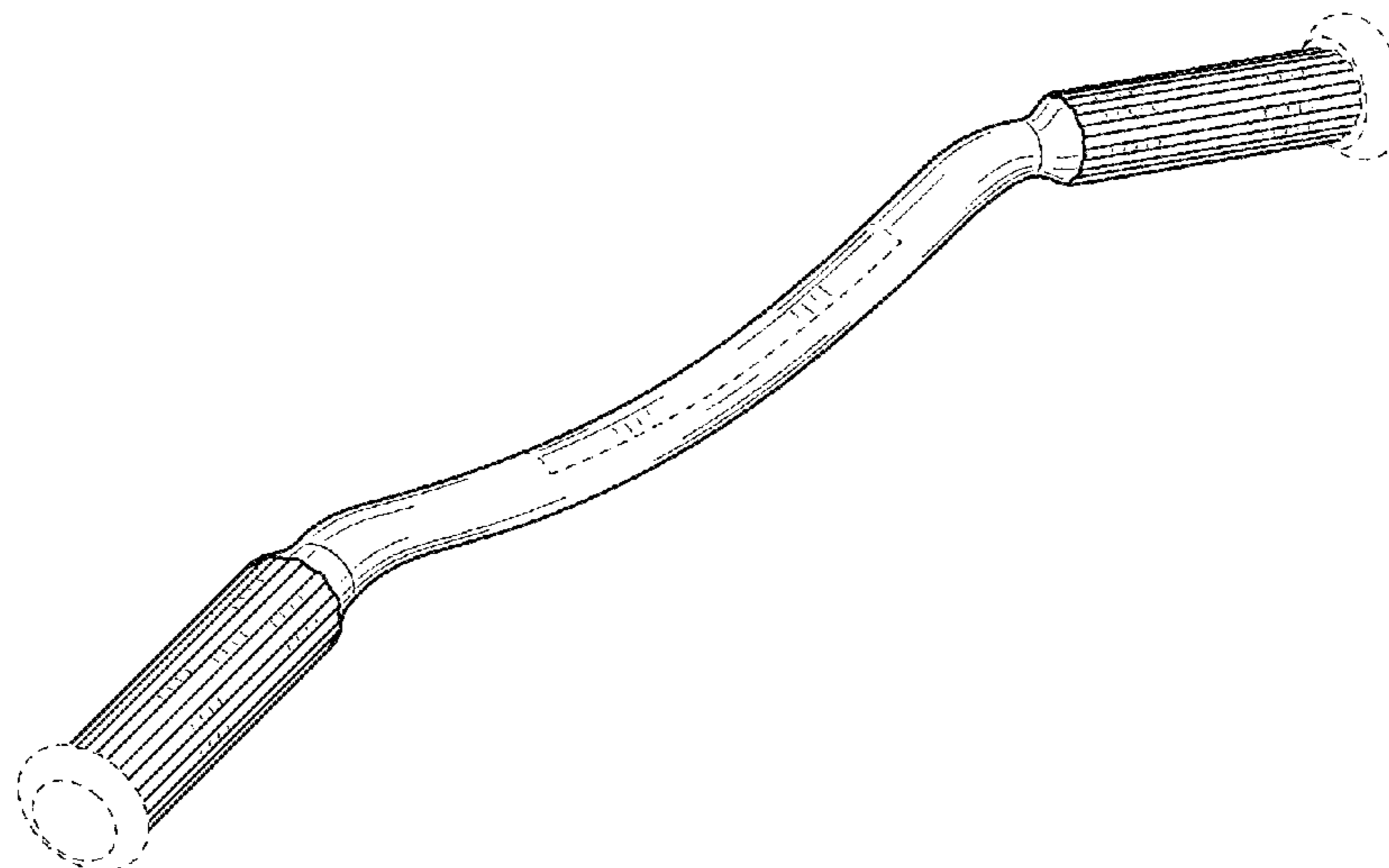
The ornamental design for an instrument for treatment of soft tissue, as shown and described.

**DESCRIPTION**

FIG. 1 is a front perspective view of an instrument for treatment of soft tissue showing our new design;  
FIG. 2 is a front elevation view thereof;  
FIG. 3 is a rear elevation view thereof;  
FIG. 4 is a left elevation view thereof;  
FIG. 5 is a right elevation view thereof;  
FIG. 6 is a top plan view thereof;  
FIG. 7 is a bottom plan view thereof;  
FIG. 8 is an enlarged partial front view of the left end thereof; and,  
FIG. 9 is an enlarged partial front view of the right end thereof.

The dashed lines shown in FIGS. 1-9 are included for the purpose of illustrating environmental subject matter only and form no part of the claimed design.

**1 Claim, 3 Drawing Sheets**



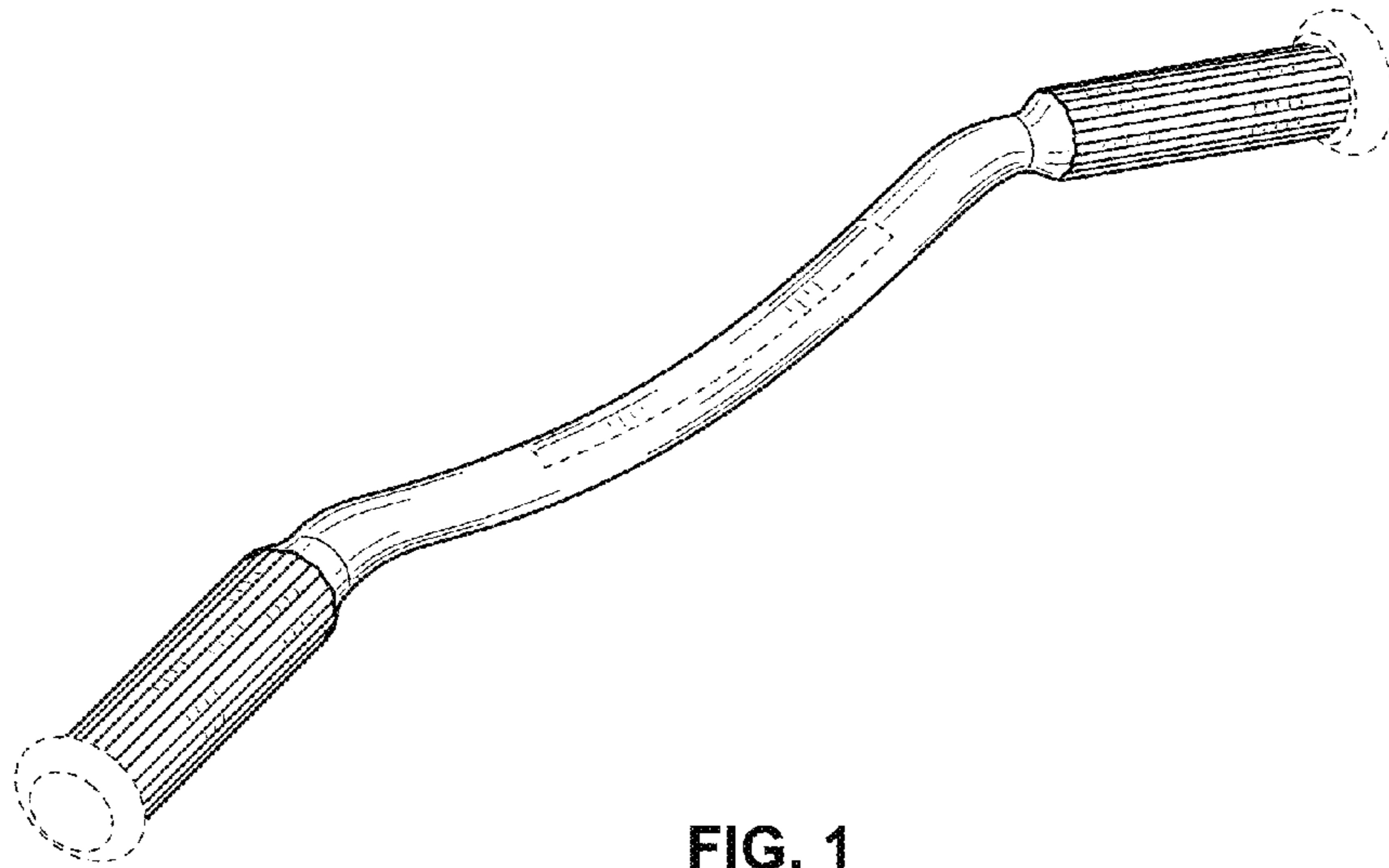


FIG. 1

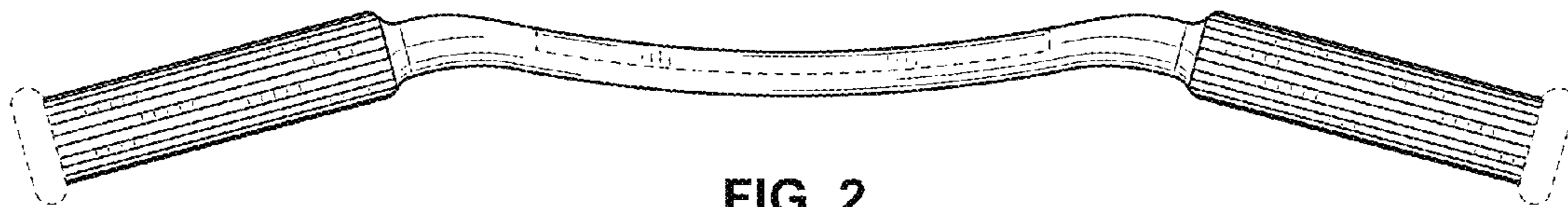


FIG. 2

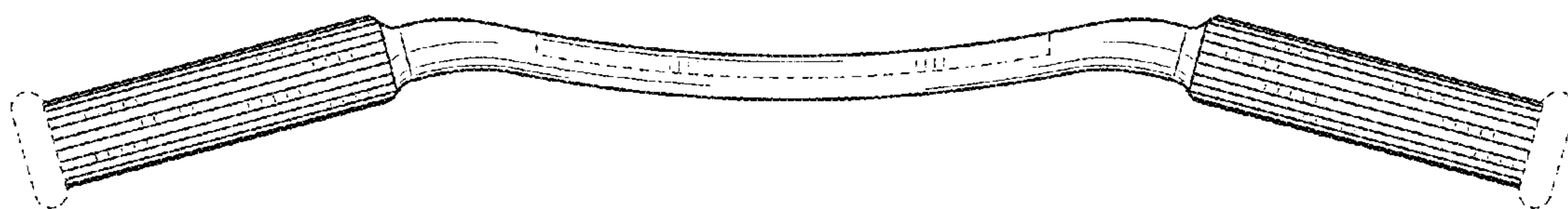


FIG. 3

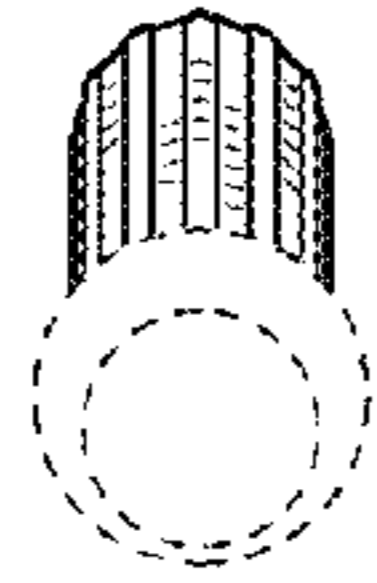


FIG. 4

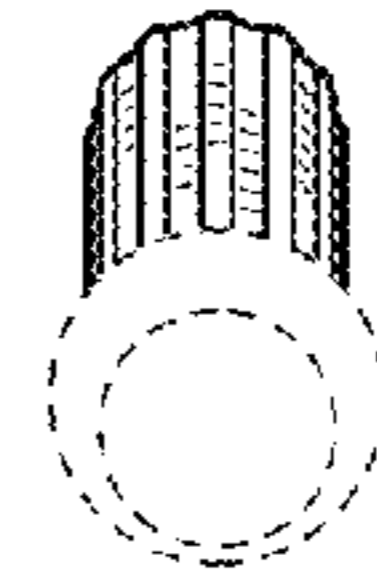


FIG. 5

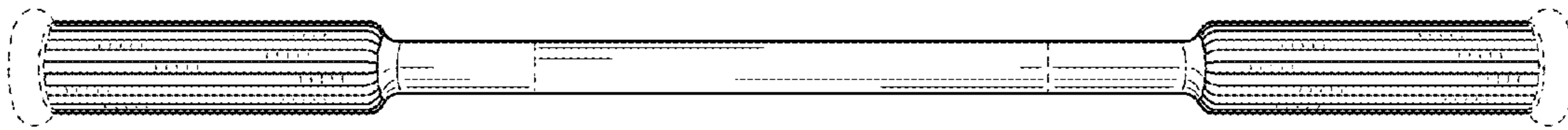


FIG. 6

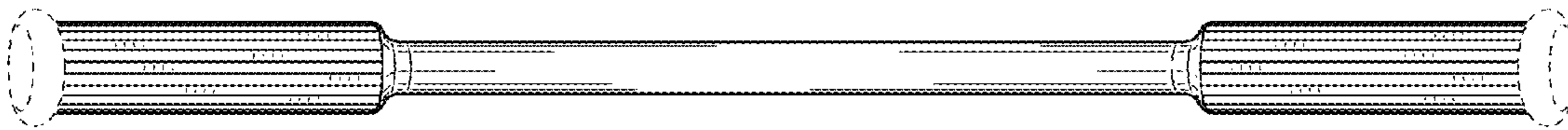


FIG. 7

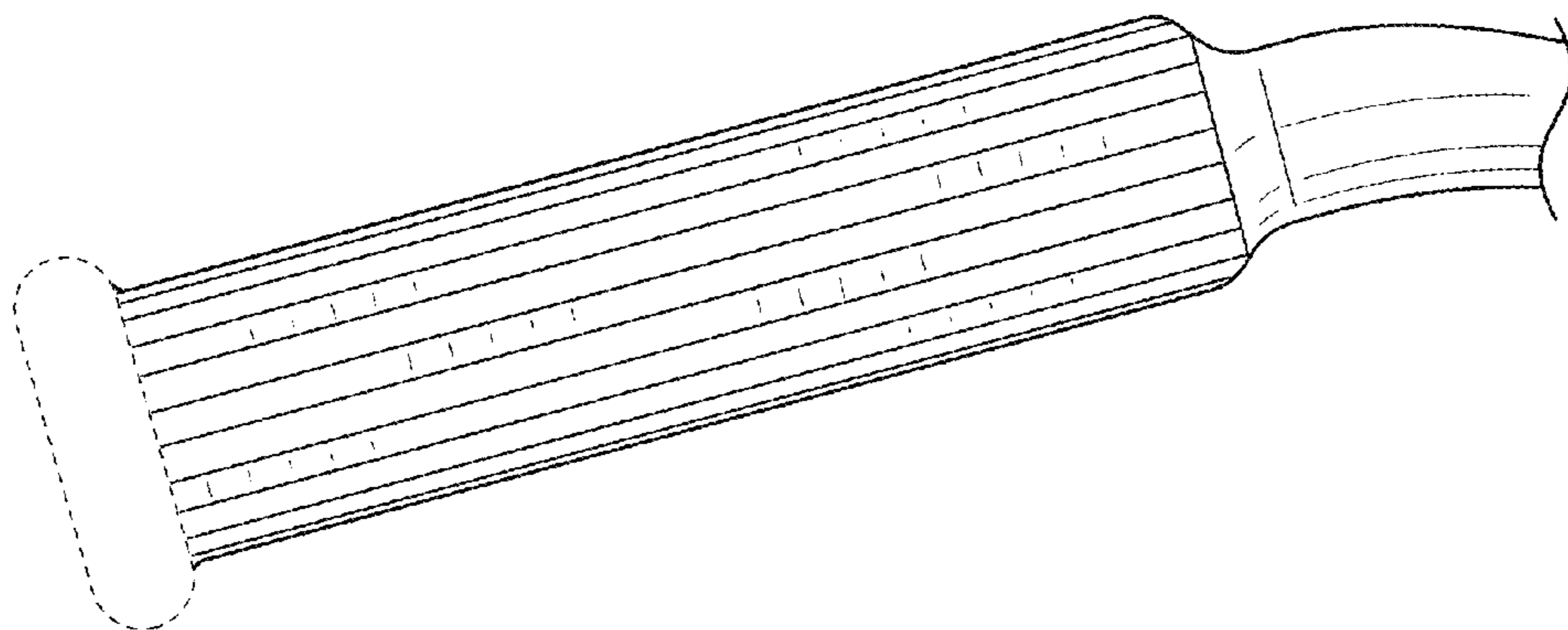


FIG. 8

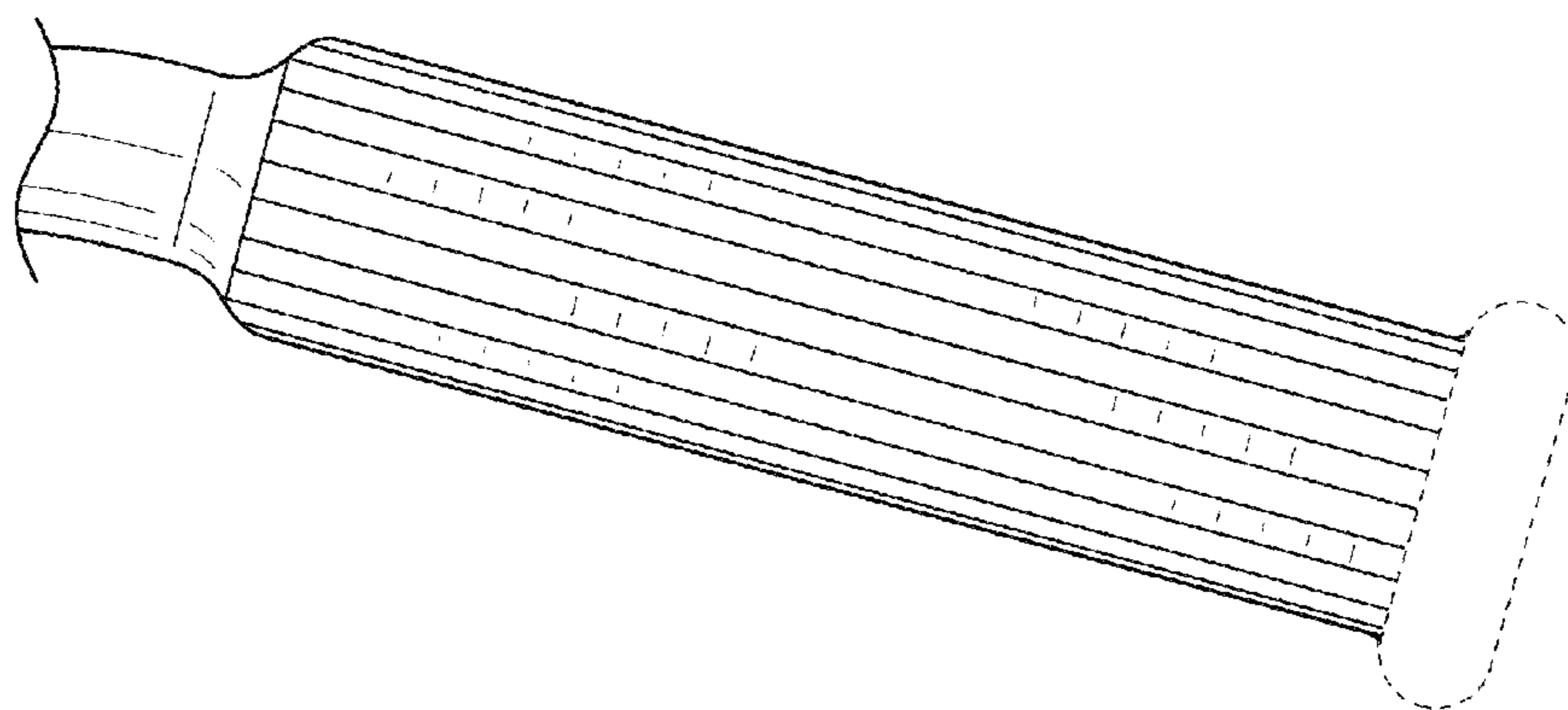


FIG. 9

UNITED STATES PATENT AND TRADEMARK OFFICE  
**CERTIFICATE OF CORRECTION**

PATENT NO. : D721,440 S  
APPLICATION NO. : 29/492882  
DATED : January 20, 2015  
INVENTOR(S) : Mark W. Pursel and Francis X. Osborne

Page 1 of 1

It is certified that error appears in the above-identified patent and that said Letters Patent is hereby corrected as shown below:

On the title page item (73), the Assignee "Tissue Tools, LLC" should read --Tissue Tools LLC--.

Signed and Sealed this  
Twenty-eighth Day of April, 2015



Michelle K. Lee  
*Director of the United States Patent and Trademark Office*