



US00D721438S

(12) **United States Design Patent**
Layzell

(10) **Patent No.:** **US D721,438 S**
(45) **Date of Patent:** **** Jan. 20, 2015**

(54) **BITE POSITIONING FORK**
(71) Applicant: **PX3 Sports Science**, Calgary (CA)
(72) Inventor: **P. Bradley Layzell**, Calgary (CA)
(73) Assignee: **PX3 Sports Science**, Calgary (CA)
(**) Term: **14 Years**
(21) Appl. No.: **29/461,231**
(22) Filed: **Jul. 19, 2013**
(51) **LOC (10) Cl.** **24-02**
(52) **U.S. Cl.**
USPC **D24/181**
(58) **Field of Classification Search**
USPC D24/152, 155-156, 176-177, 180-181;
D29/100, 108; 2/455; 128/848, 859,
128/861-862; 433/6-7, 18, 37-38, 43, 45,
433/49, 72, 168.1, 214
See application file for complete search history.

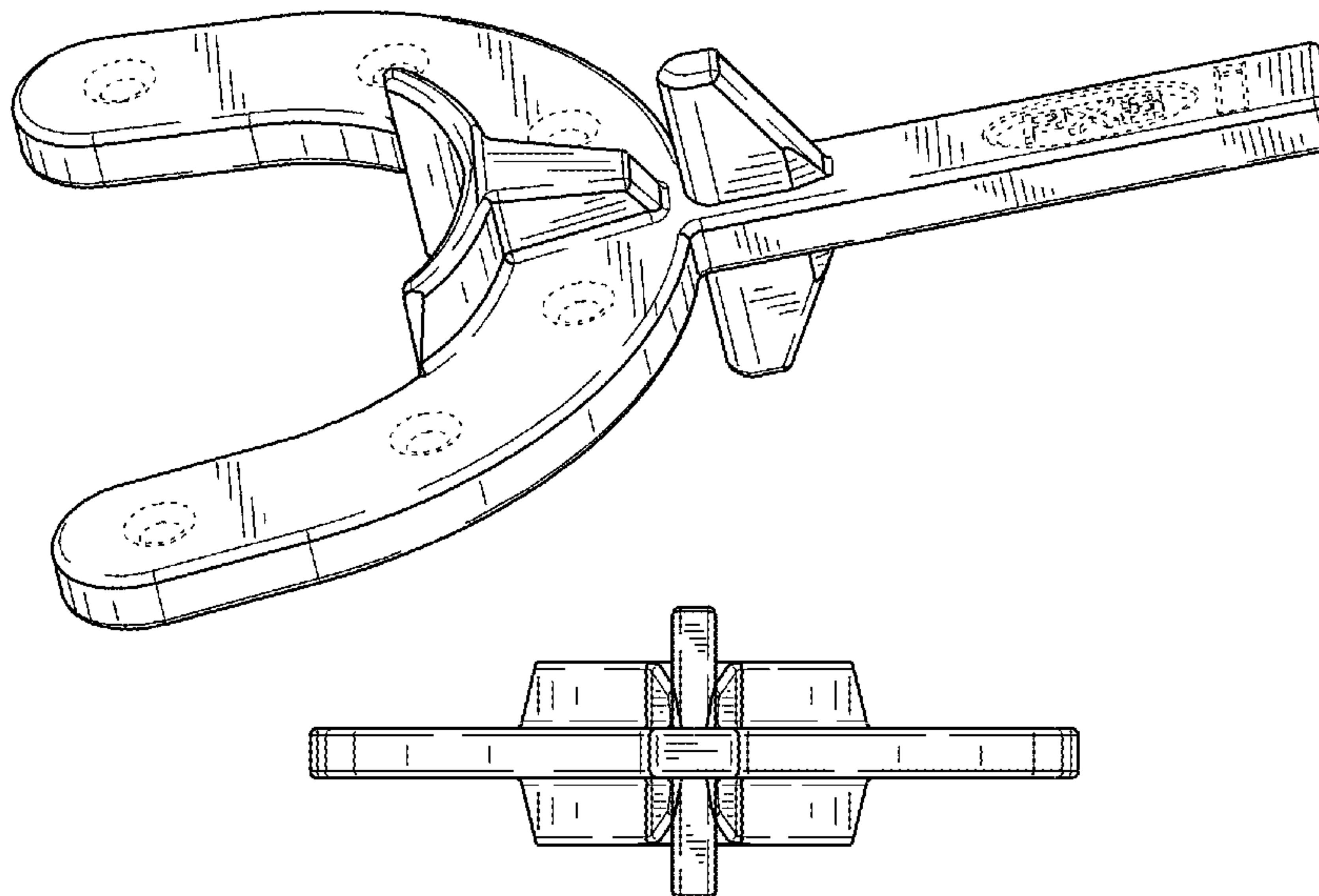
(56) **References Cited**
U.S. PATENT DOCUMENTS
1,910,740 A * 5/1933 Barsha 433/38
2,549,184 A * 4/1951 Eliot 433/43
5,154,609 A * 10/1992 George 433/72
5,313,960 A * 5/1994 Tomasi 128/848
5,752,826 A * 5/1998 Andreiko 433/37
7,128,574 B2 * 10/2006 Adams 433/68
D655,816 S * 3/2012 Llop et al. D24/181
2010/0055634 A1 * 3/2010 Spaulding et al. 433/6
2010/0300457 A1 * 12/2010 Horchover 128/848

* cited by examiner
Primary Examiner — Wan Laymon
(74) *Attorney, Agent, or Firm* — Lempia Summerfield Katz
LLC

(57) **CLAIM**
The ornamental design for a “bite positioning fork,” as shown and described.

DESCRIPTION
FIG. 1 is a top, rear, and right side perspective view of one embodiment of my new design for a bite positioning fork.
FIG. 2 is a top view of the bite positioning fork shown in FIG. 1.
FIG. 3 is a bottom view of the bite positioning fork shown in FIG. 1.
FIG. 4 is a front view of the bite positioning fork shown in FIG. 1.
FIG. 5 is a rear view of the bite positioning fork shown in FIG. 1.
FIG. 6 is a right side view of the bite positioning fork shown in FIG. 1, the left side view being a mirror image thereof.
FIG. 7 is a top, rear, and right side perspective view of another embodiment of my new design for a bite positioning fork.
FIG. 8 is a top view of the bite positioning fork shown in FIG. 7.
FIG. 9 is a bottom view of the bite positioning fork shown in FIG. 7.
FIG. 10 is a front view of the bite positioning fork shown in FIG. 7.
FIG. 11 is a rear side view of the bite positioning fork shown in FIG. 7.
FIG. 12 is a right side view of the bite positioning fork shown in FIG. 7, the left side view being substantially a mirror image thereof.
FIG. 13 is a bottom, rear, and left side (or upside down) view of the bite positioning fork shown in FIG. 7; and,
FIG. 14 is a left side (upside down) view of the bite positioning fork shown in FIG. 7.
The broken lines shown in the drawings represent portions of the bite positioning fork and form no part of the claimed design.

1 Claim, 12 Drawing Sheets



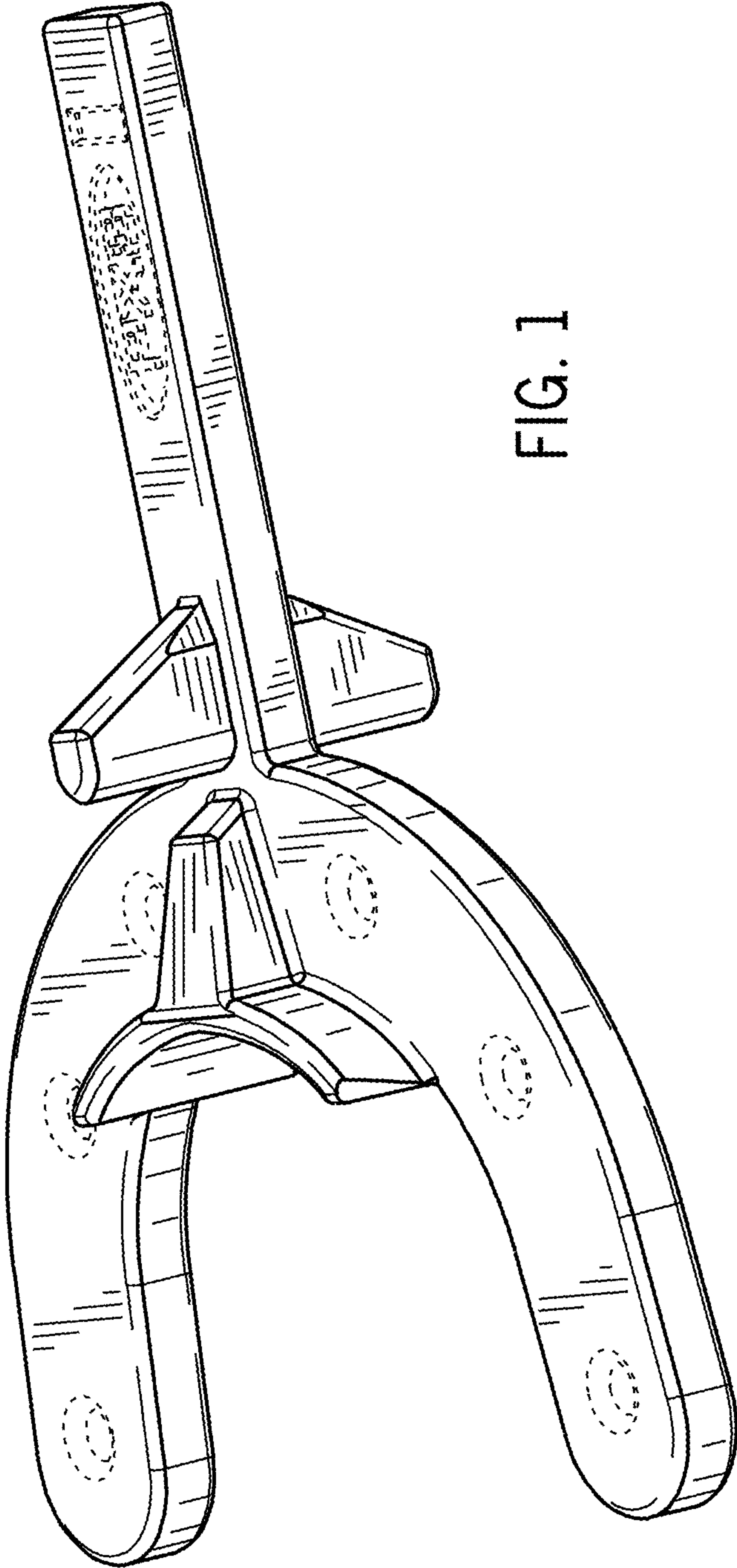


FIG. 1

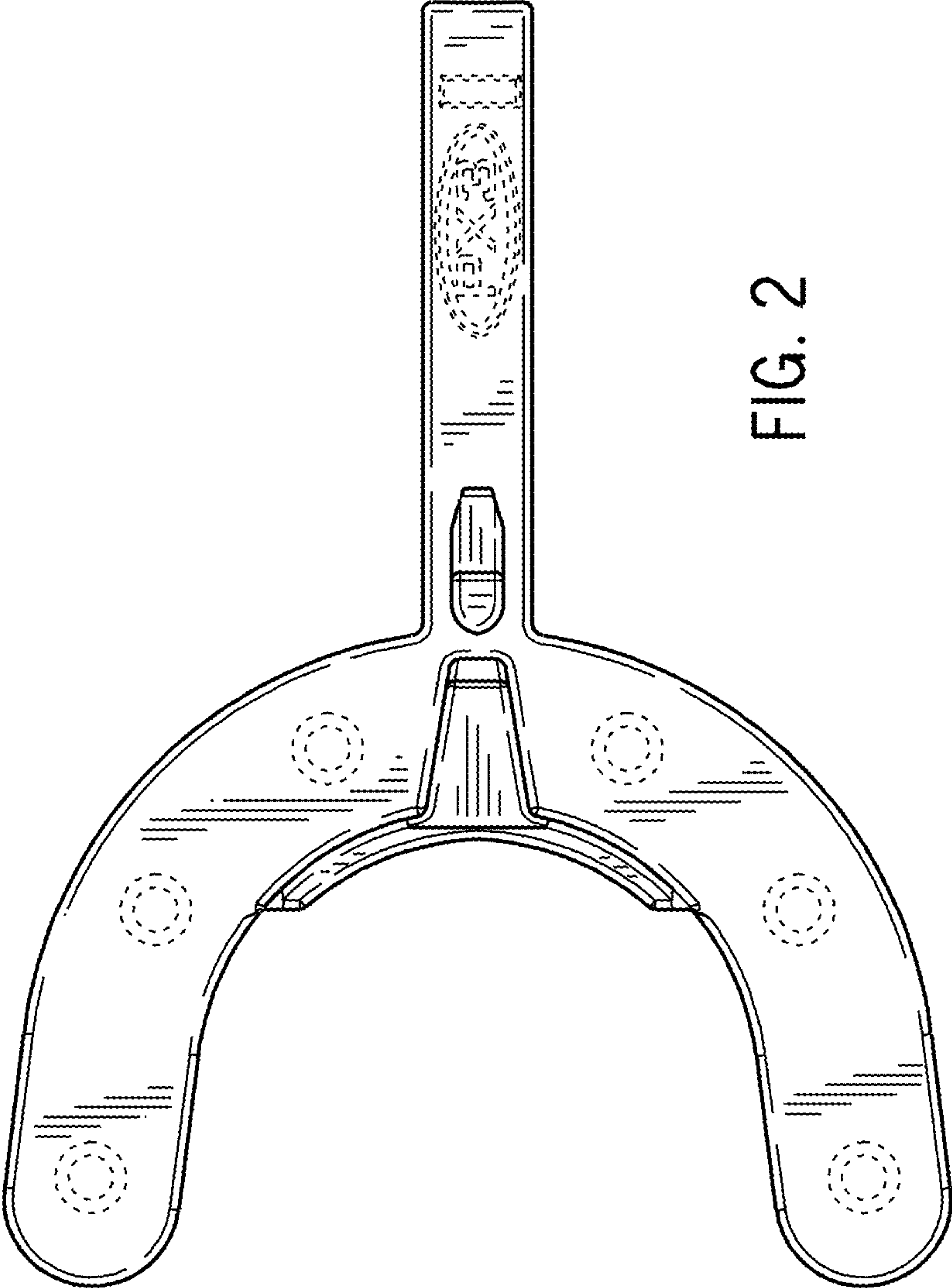


FIG. 2

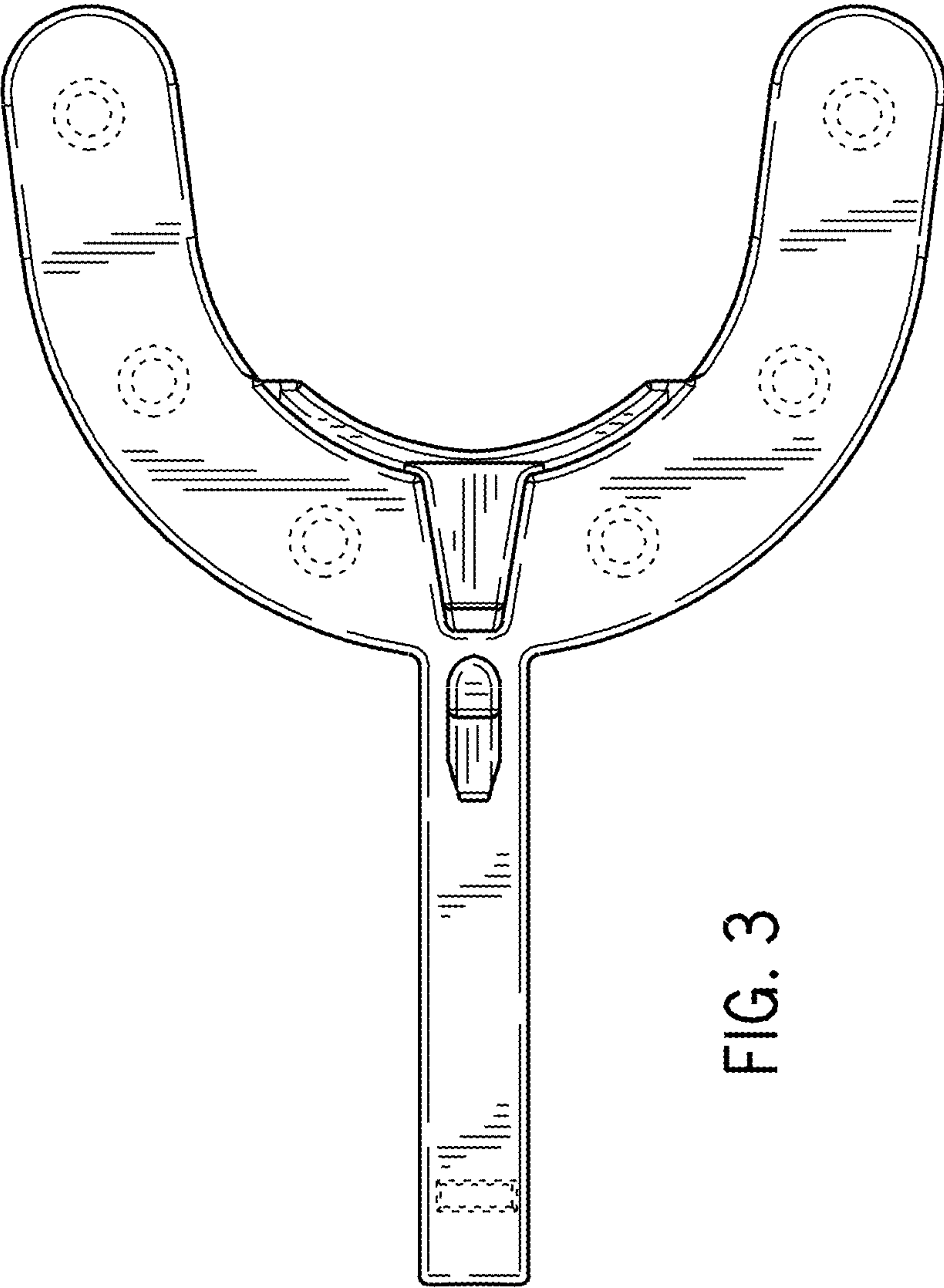


FIG. 3

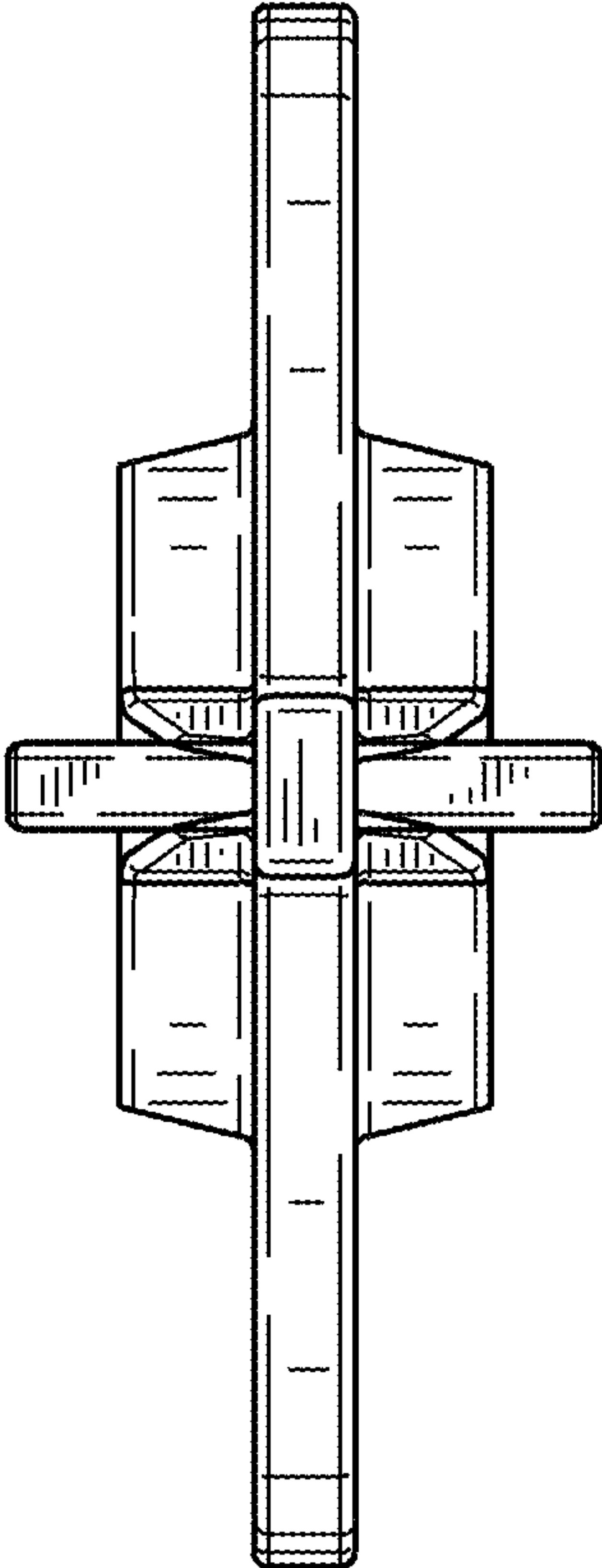


FIG. 4

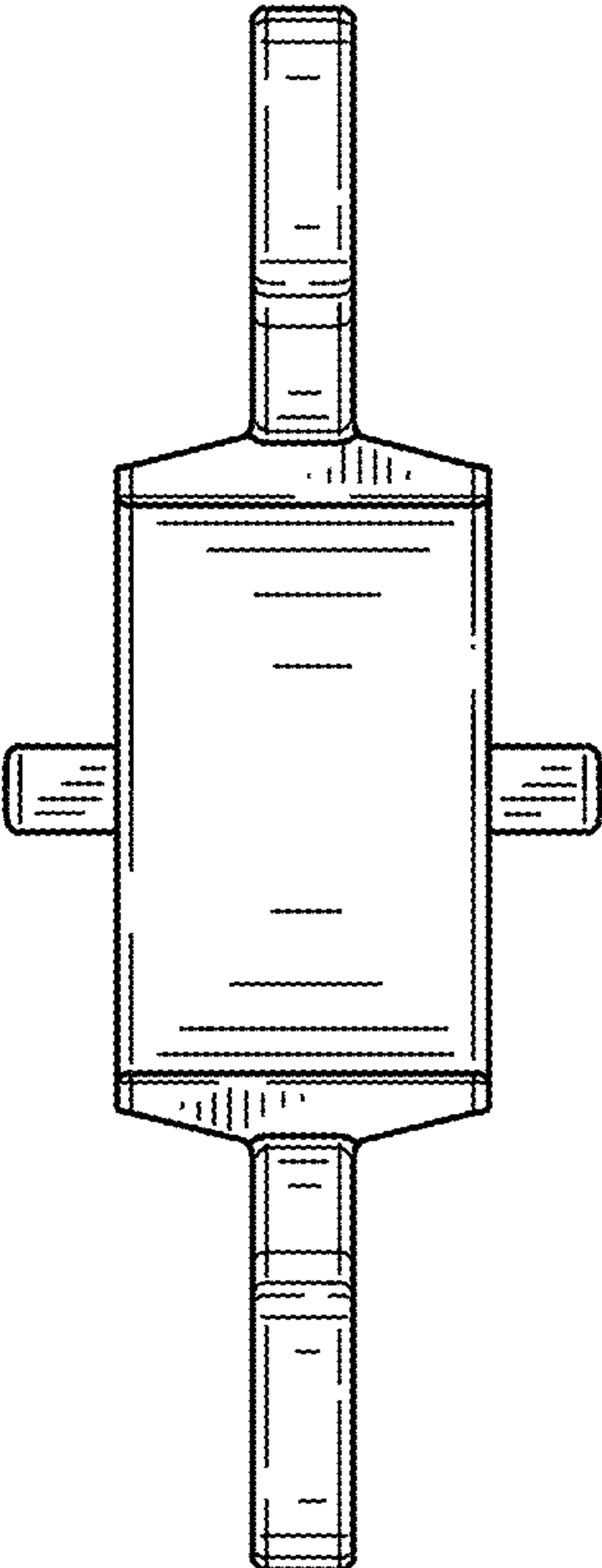


FIG. 5

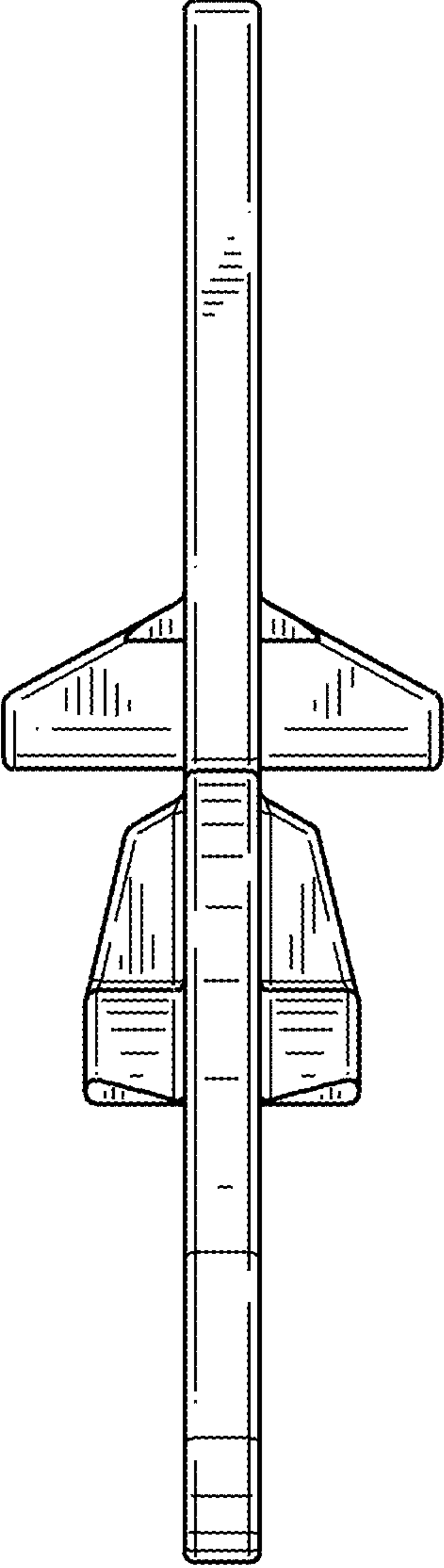


FIG. 6

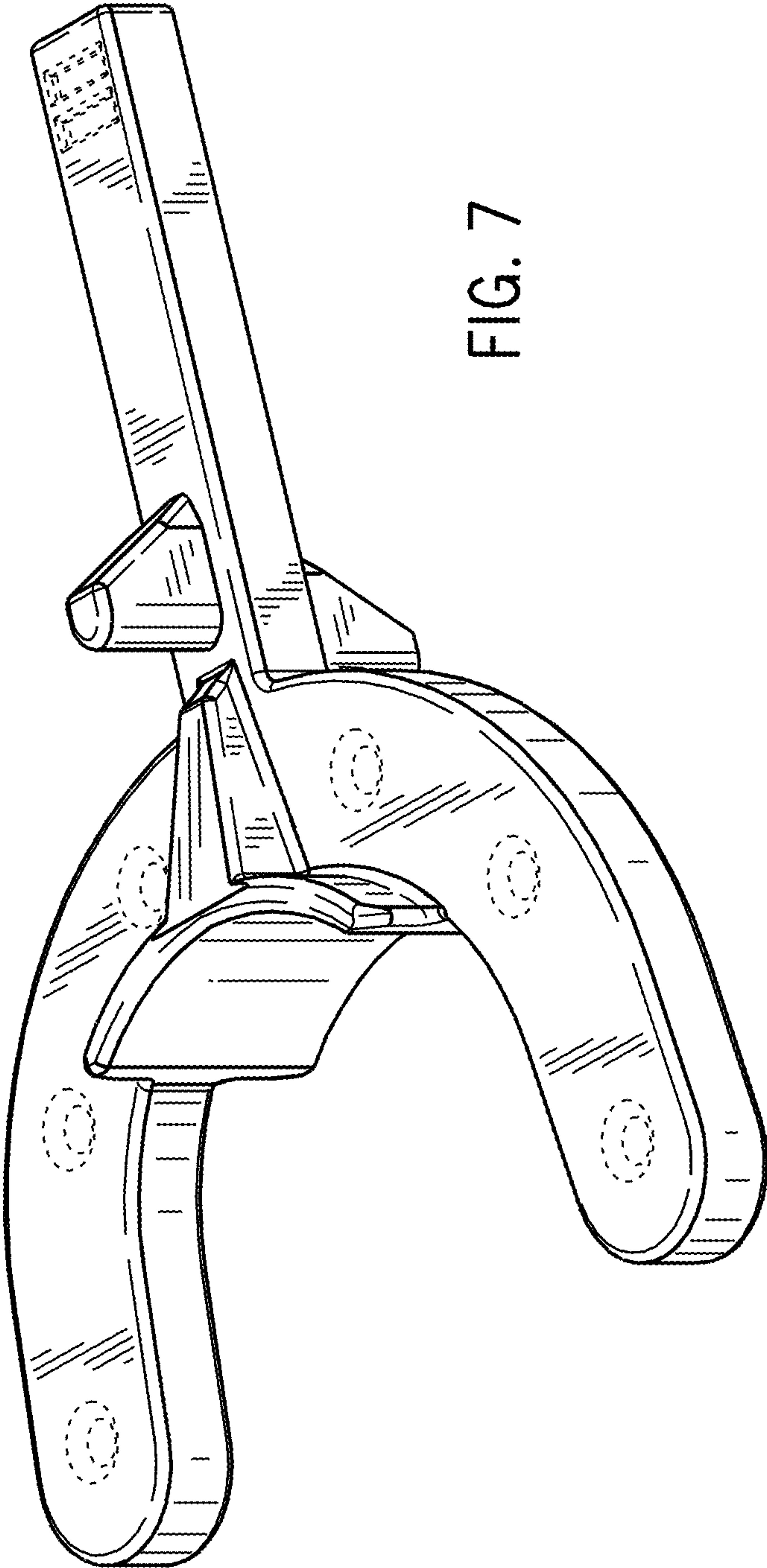


FIG. 7

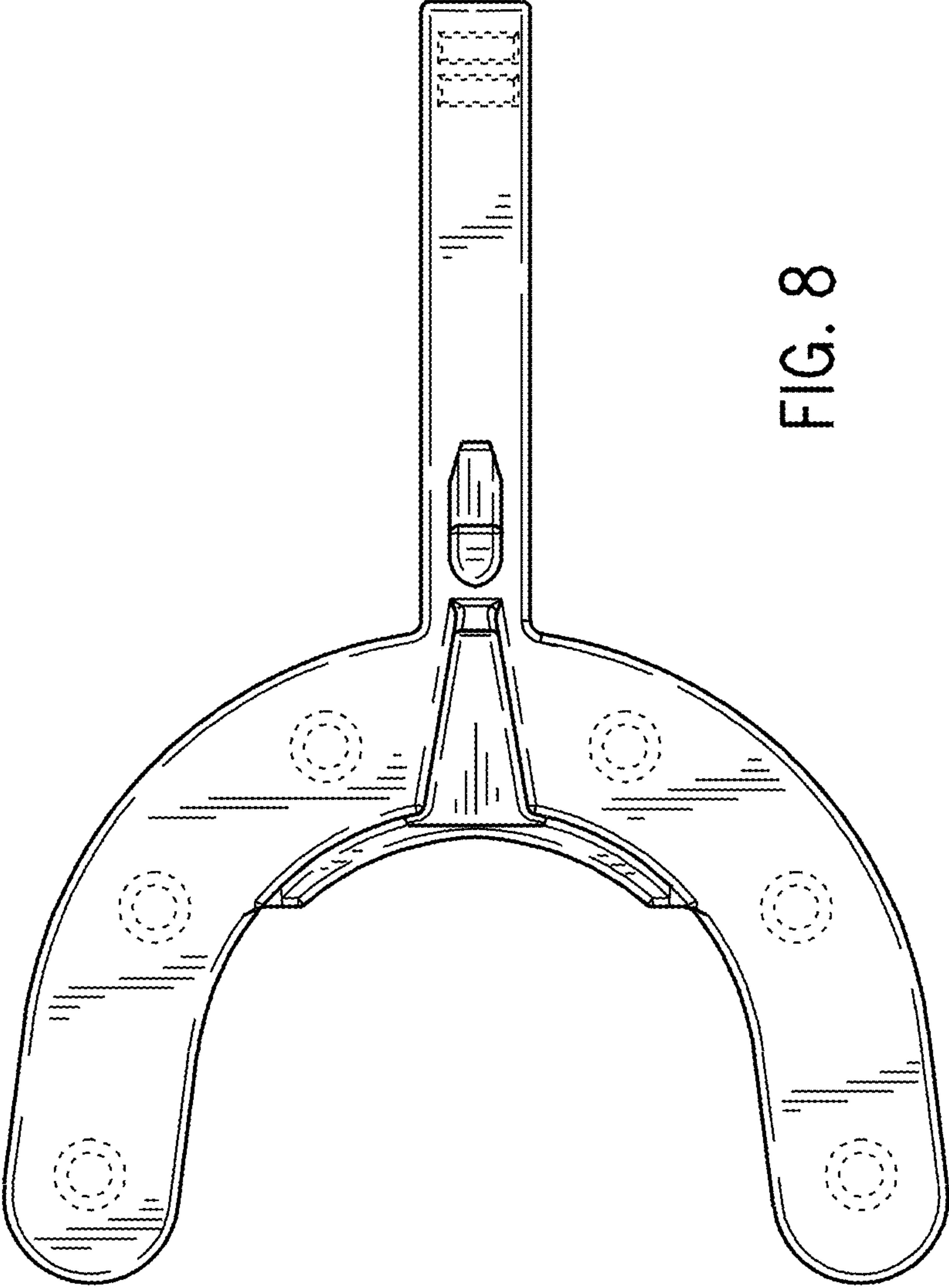


FIG. 8

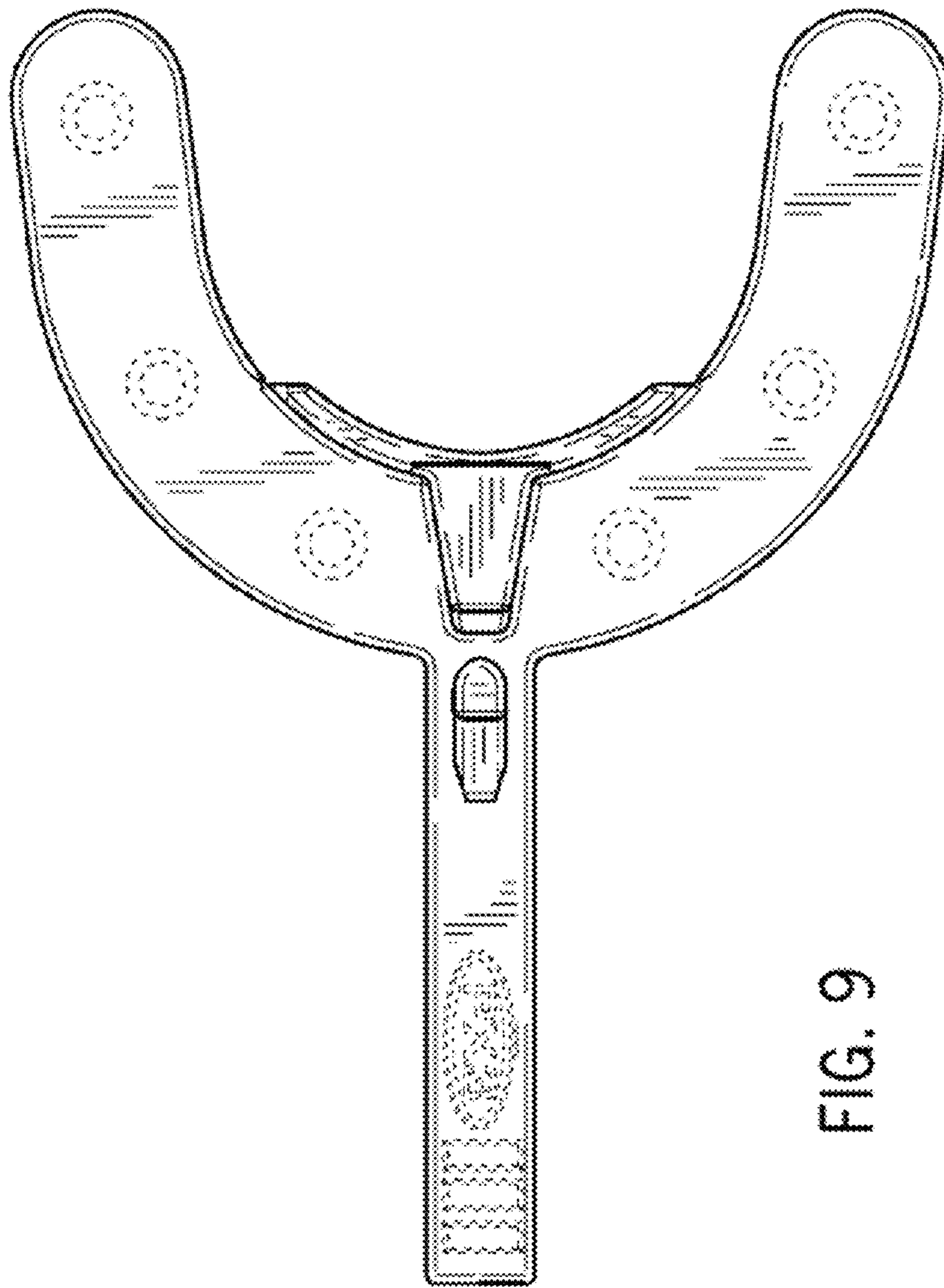


FIG. 9

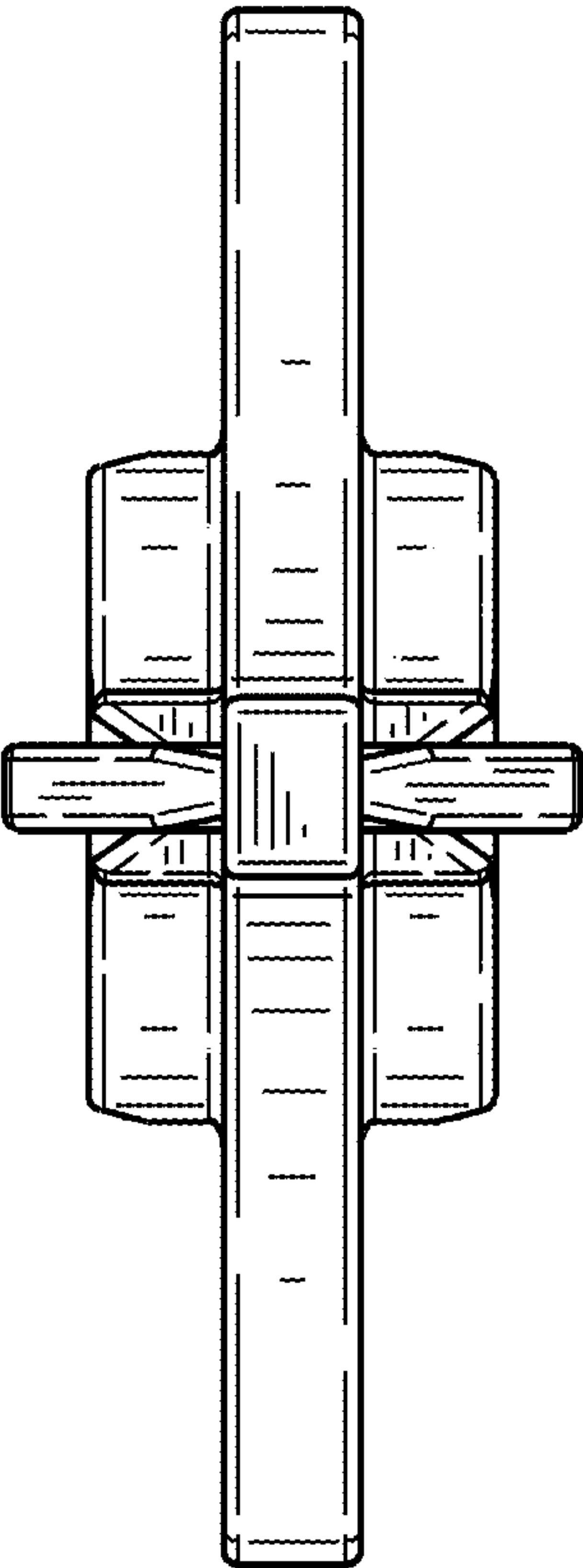


FIG. 10

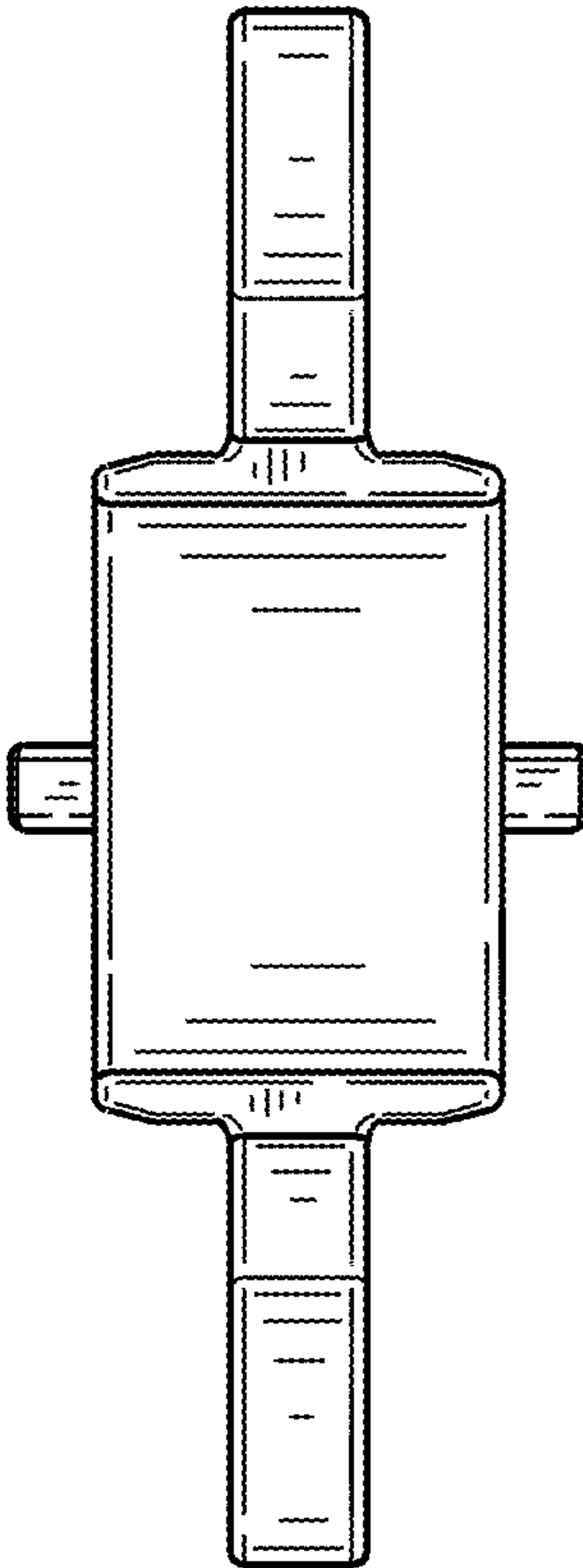


FIG. 11

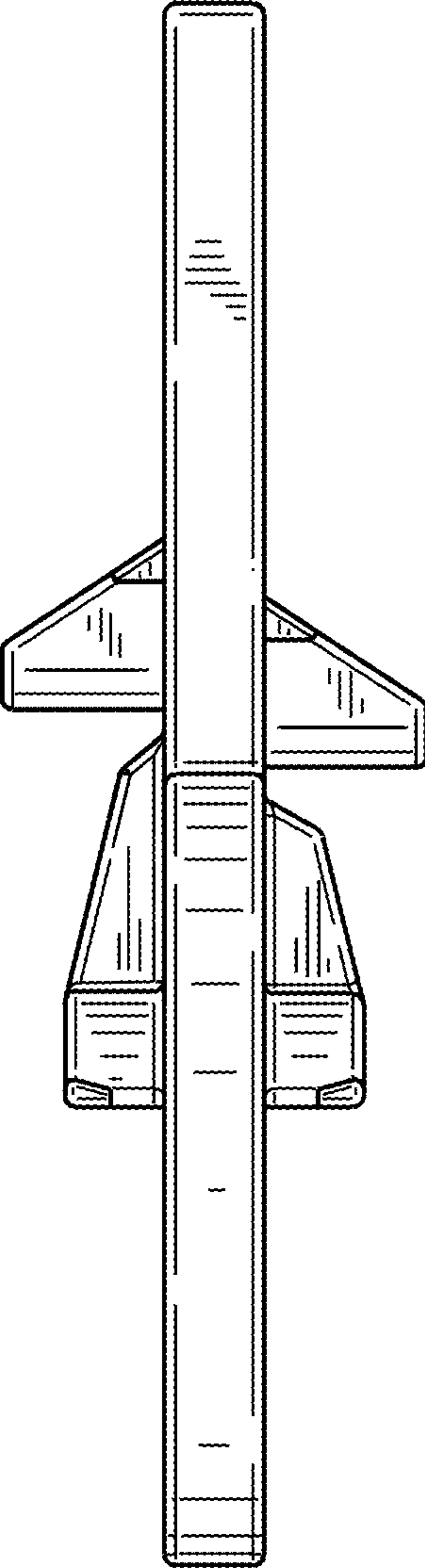


FIG. 12

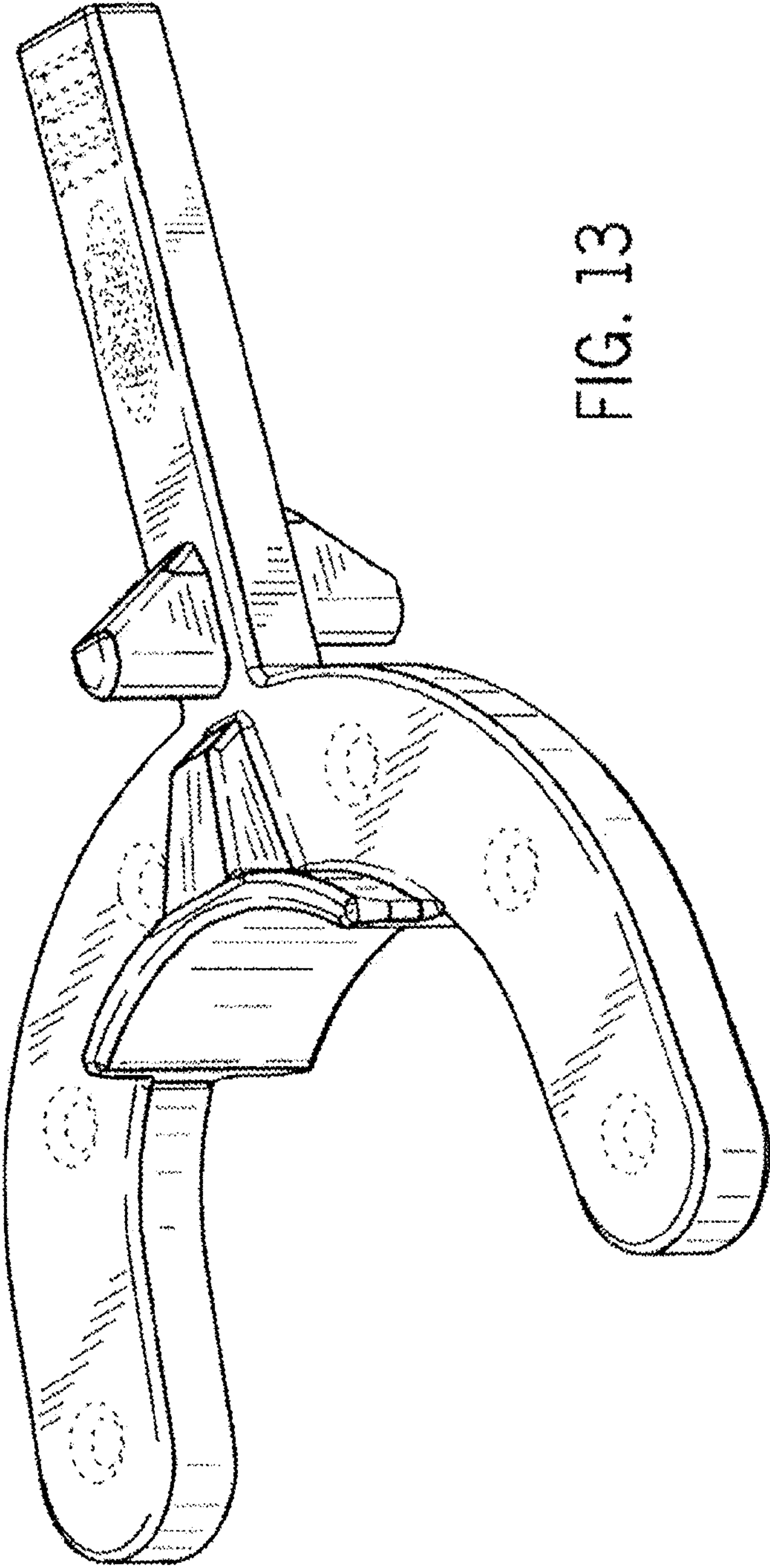


FIG. 13

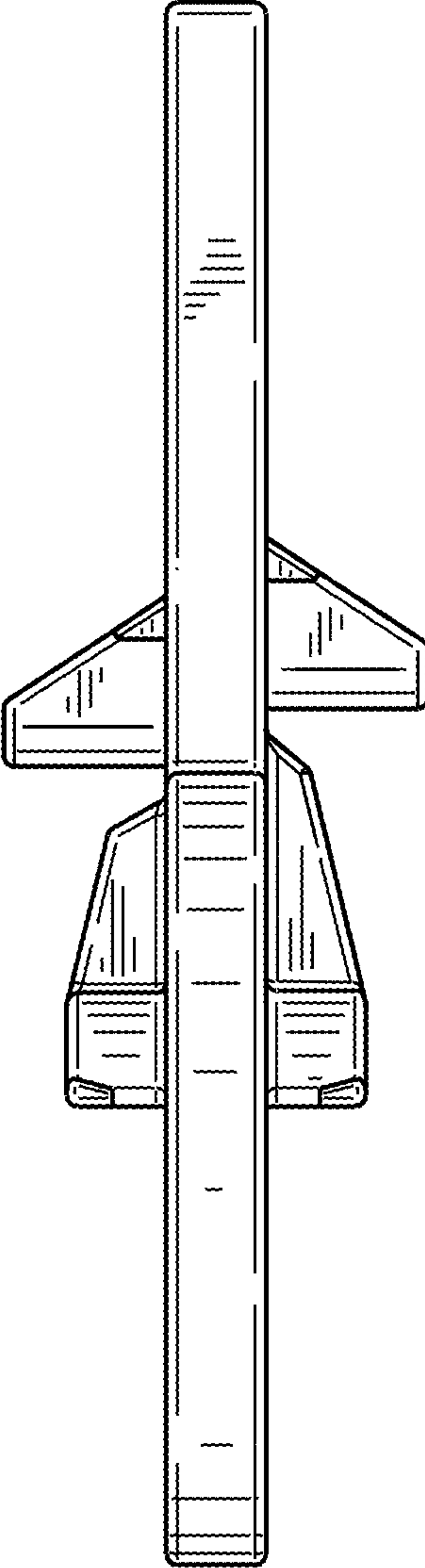


FIG. 14