



US00D721436S

(12) **United States Design Patent**  
**Ting et al.**

(10) **Patent No.:** **US D721,436 S**  
(45) **Date of Patent:** **\*\* Jan. 20, 2015**

(54) **SELF-ALIGNING INSERT FOR A DENTAL HANDPIECE**

(71) Applicants: **David Ting**, Las Vegas, NV (US); **Yogi Chen**, Las Vegas, NV (US)

(72) Inventors: **David Ting**, Las Vegas, NV (US); **Yogi Chen**, Las Vegas, NV (US)

(73) Assignee: **Handpiece Club LLC**, Las Vegas, NV (US)

(\*\*) Term: **14 Years**

(21) Appl. No.: **29/469,307**

(22) Filed: **Oct. 9, 2013**

(51) **LOC (10) Cl.** ..... **24-02**

(52) **U.S. Cl.**  
USPC ..... **D24/152**

(58) **Field of Classification Search**  
USPC ..... D24/152, 154–156, 176–177;  
433/114–115, 126, 132–133, 173–174,  
433/50, 82, 141, 229  
See application file for complete search history.

(56) **References Cited**

**U.S. PATENT DOCUMENTS**

5,039,304	A *	8/1991	Heil	.....	433/126
5,252,065	A *	10/1993	Nakanishi	.....	433/126
5,716,210	A *	2/1998	Novak	.....	433/82
D397,438	S *	8/1998	Nakanishi	.....	D24/152

6,716,030	B1 *	4/2004	Bulard et al.	.....	433/174
D620,594	S *	7/2010	Curtis	.....	D24/155
8,562,343	B2 *	10/2013	Magneson et al.	.....	433/132
2007/0009853	A1 *	1/2007	Pitulia	.....	433/173

\* cited by examiner

*Primary Examiner* — Wan Laymon

(74) *Attorney, Agent, or Firm* — Lightbulb IP, LLC

(57) **CLAIM**

The ornamental design for a self-aligning insert for a dental handpiece, as shown and described.

**DESCRIPTION**

FIG. 1 is a top perspective view of a self-aligning insert for a dental handpiece.

FIG. 2 is a bottom perspective view of the self-aligning insert for the dental handpiece.

FIG. 3 is a top view of the self-aligning insert for the dental handpiece.

FIG. 4 is a bottom view of the self-aligning insert for the dental handpiece.

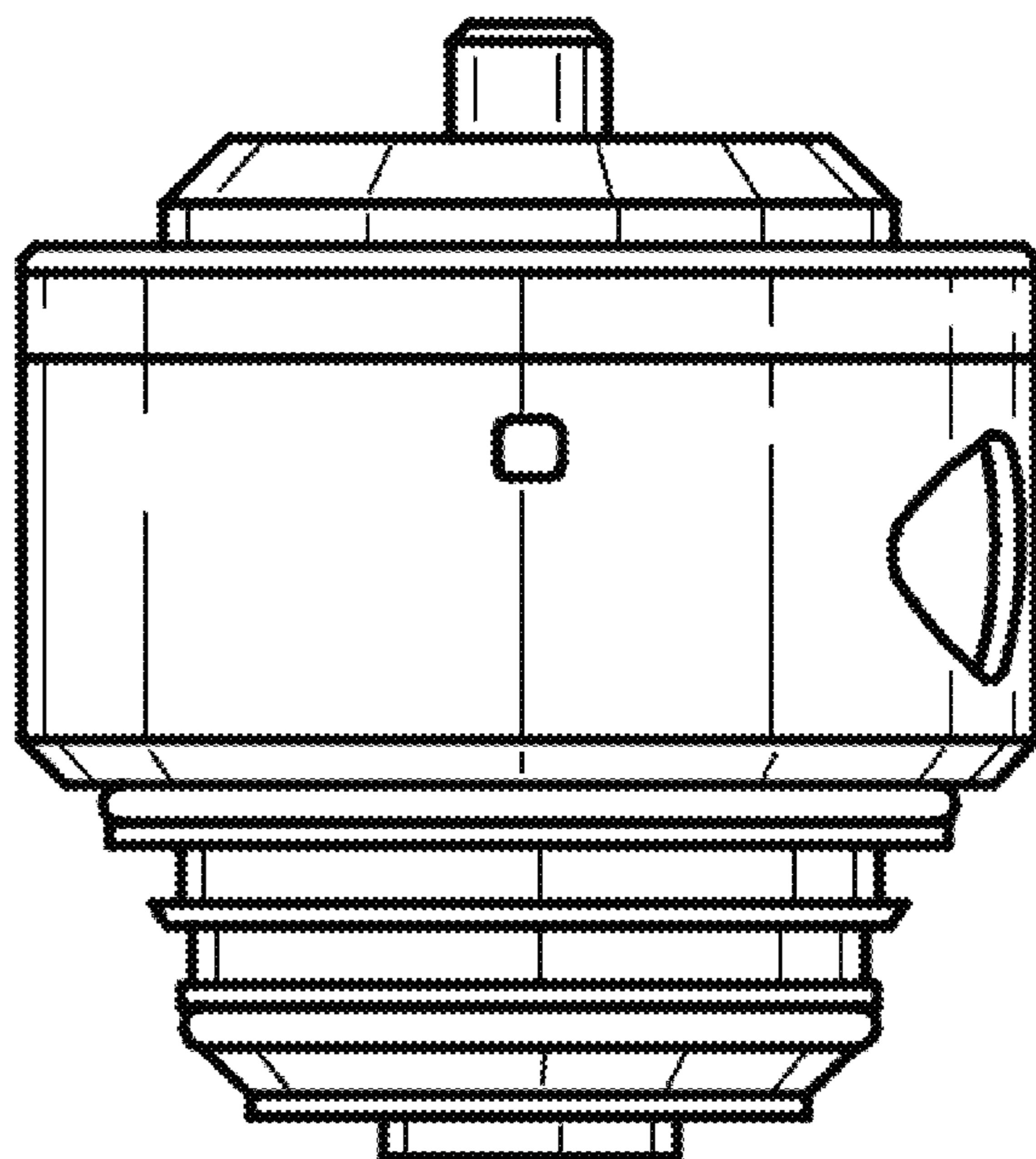
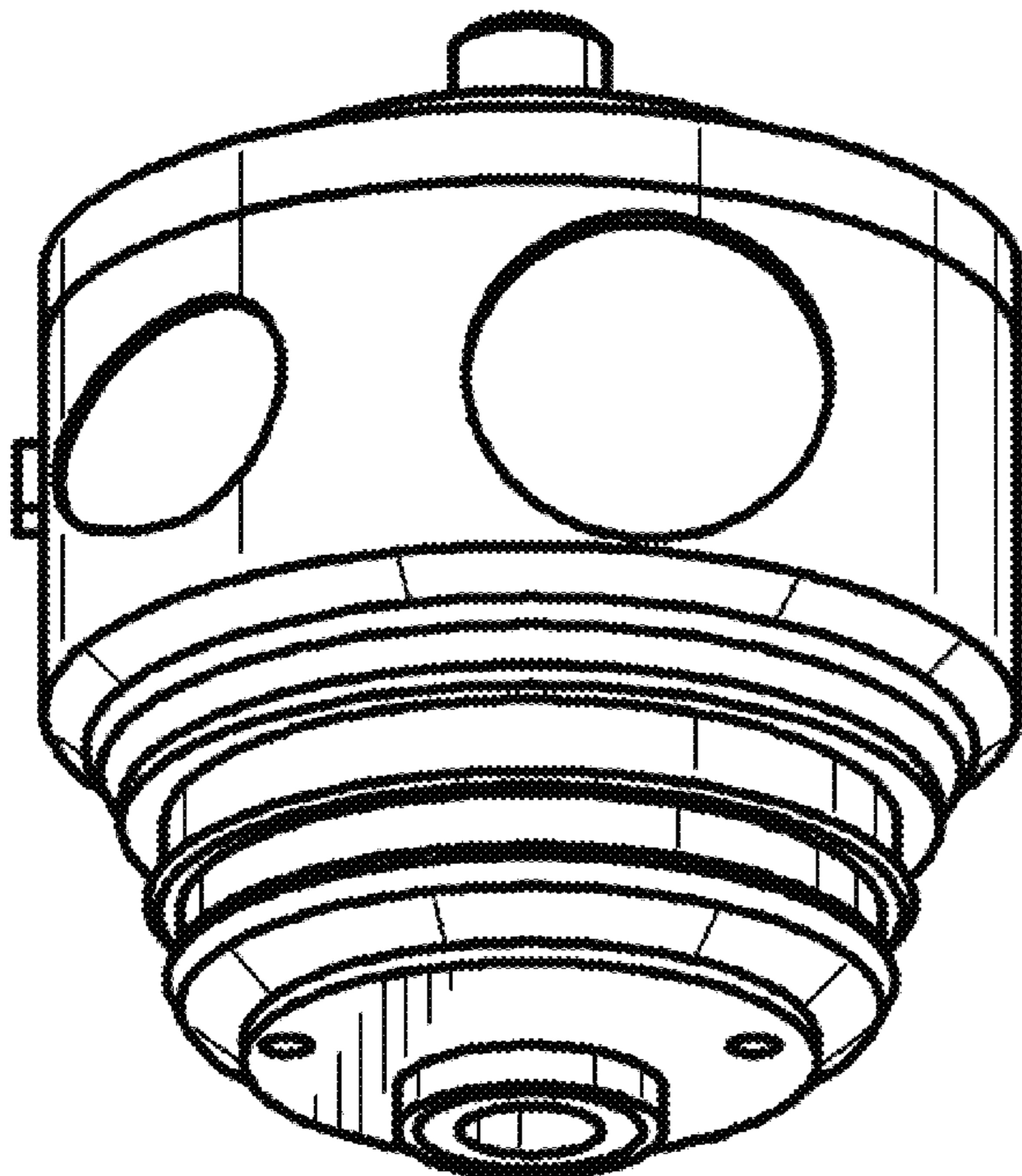
FIG. 5 is a first side view of the self-aligning insert for the dental handpiece.

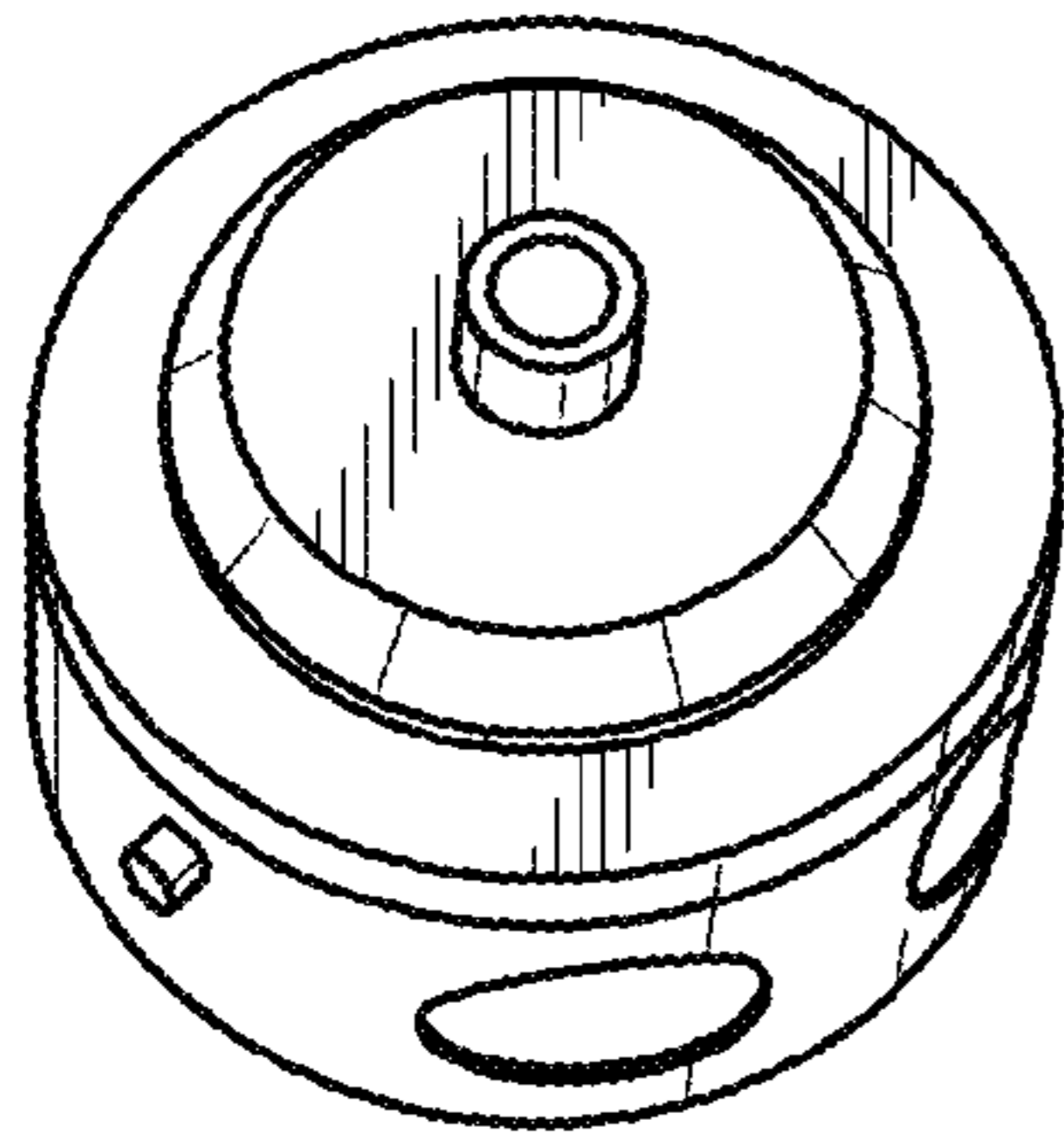
FIG. 6 is a second side view of the self-aligning insert for the dental handpiece.

FIG. 7 is an opposite side view of FIG. 5 of the self-aligning insert for the dental handpiece; and,

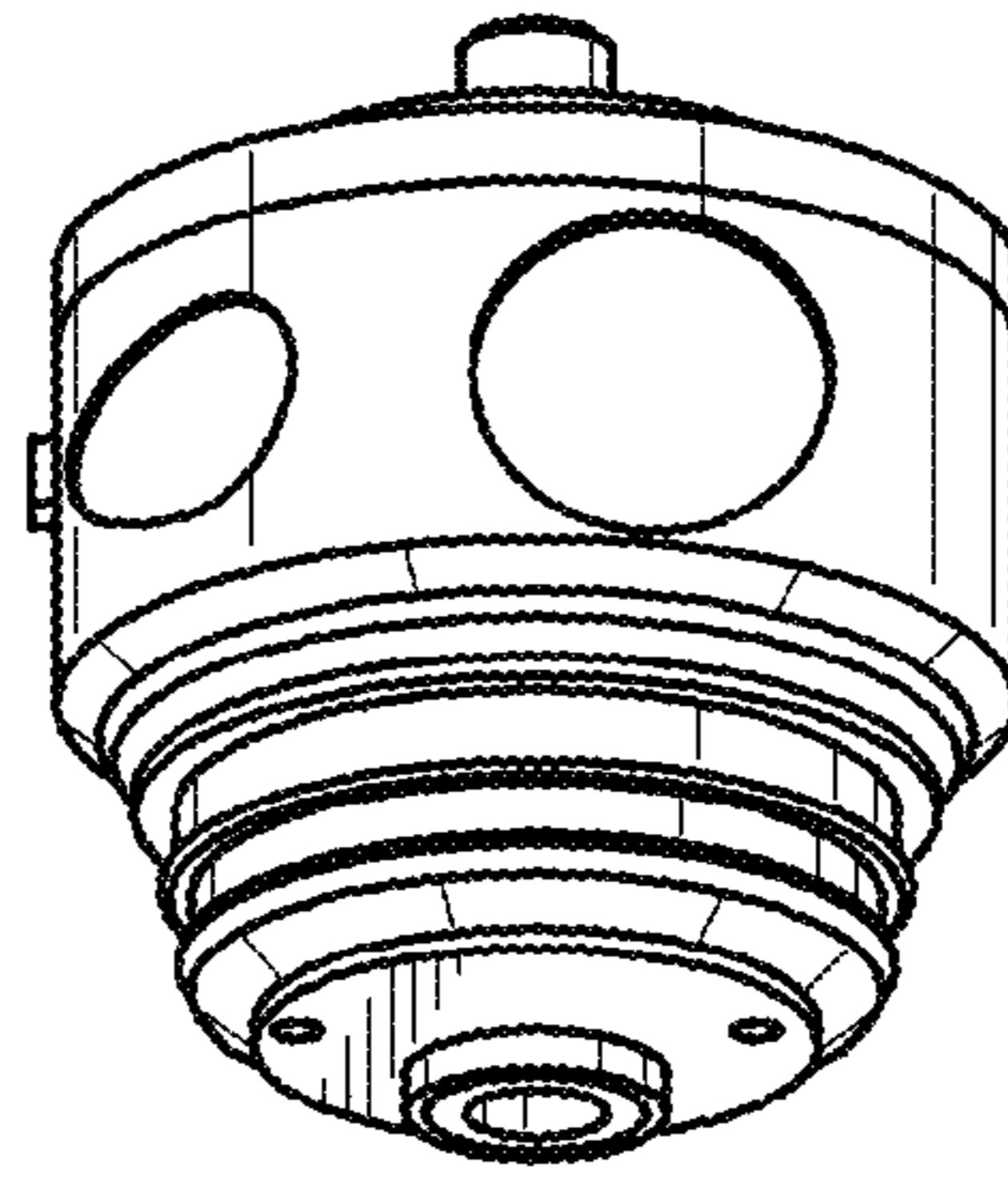
FIG. 8 is an opposite side view of FIG. 6 of the self-aligning insert for the dental handpiece.

**1 Claim, 2 Drawing Sheets**

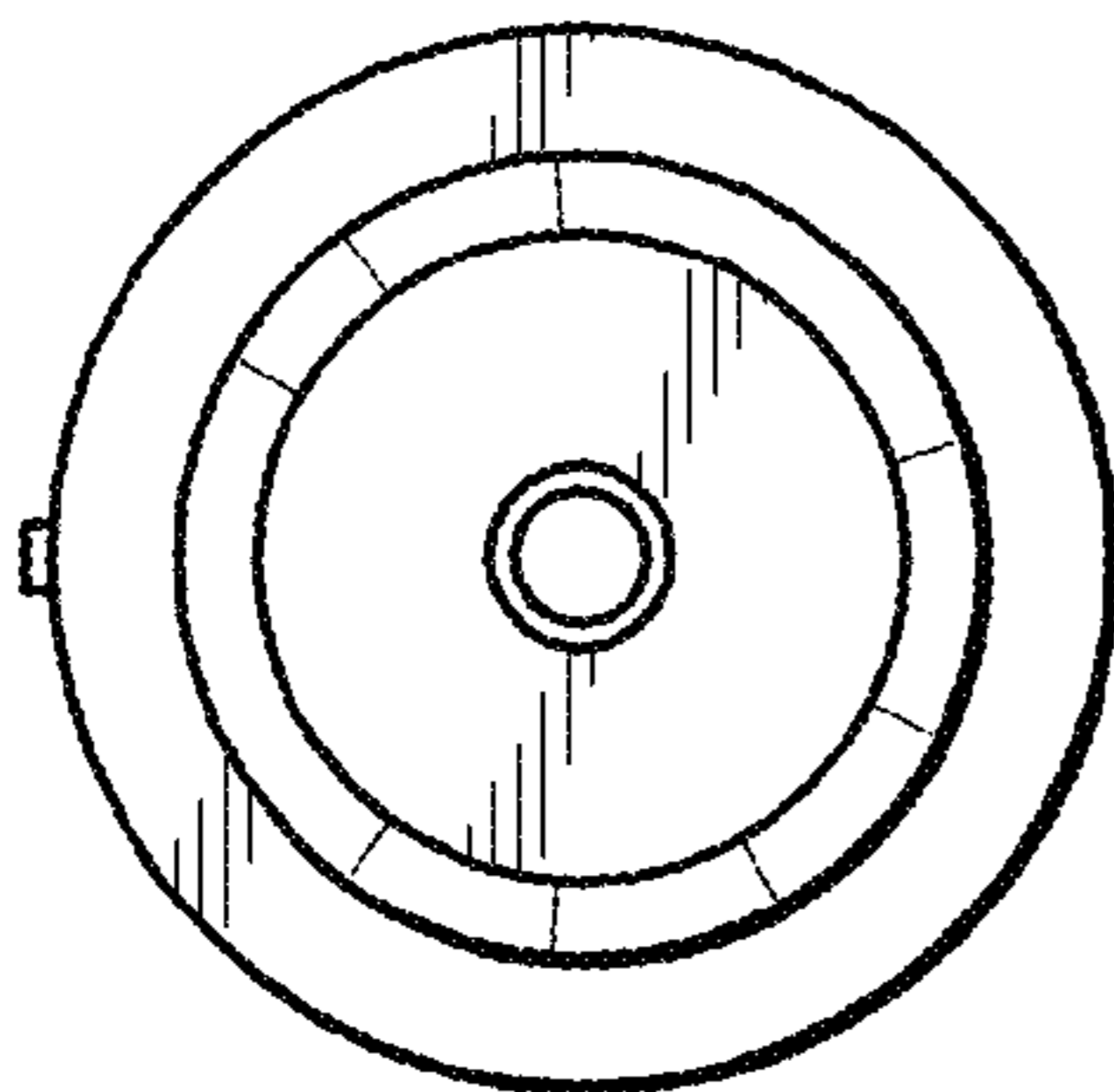




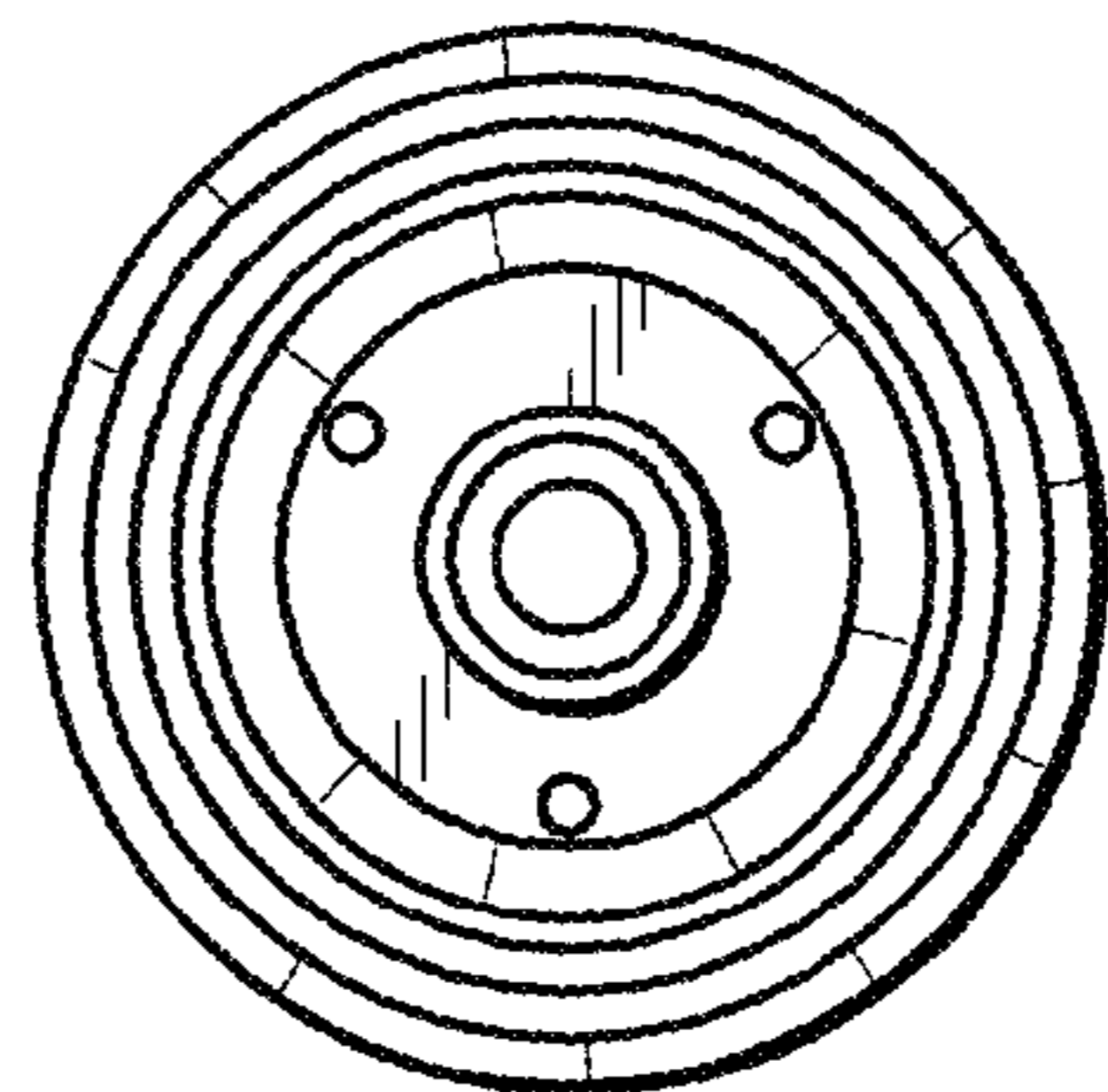
**FIG. 1**



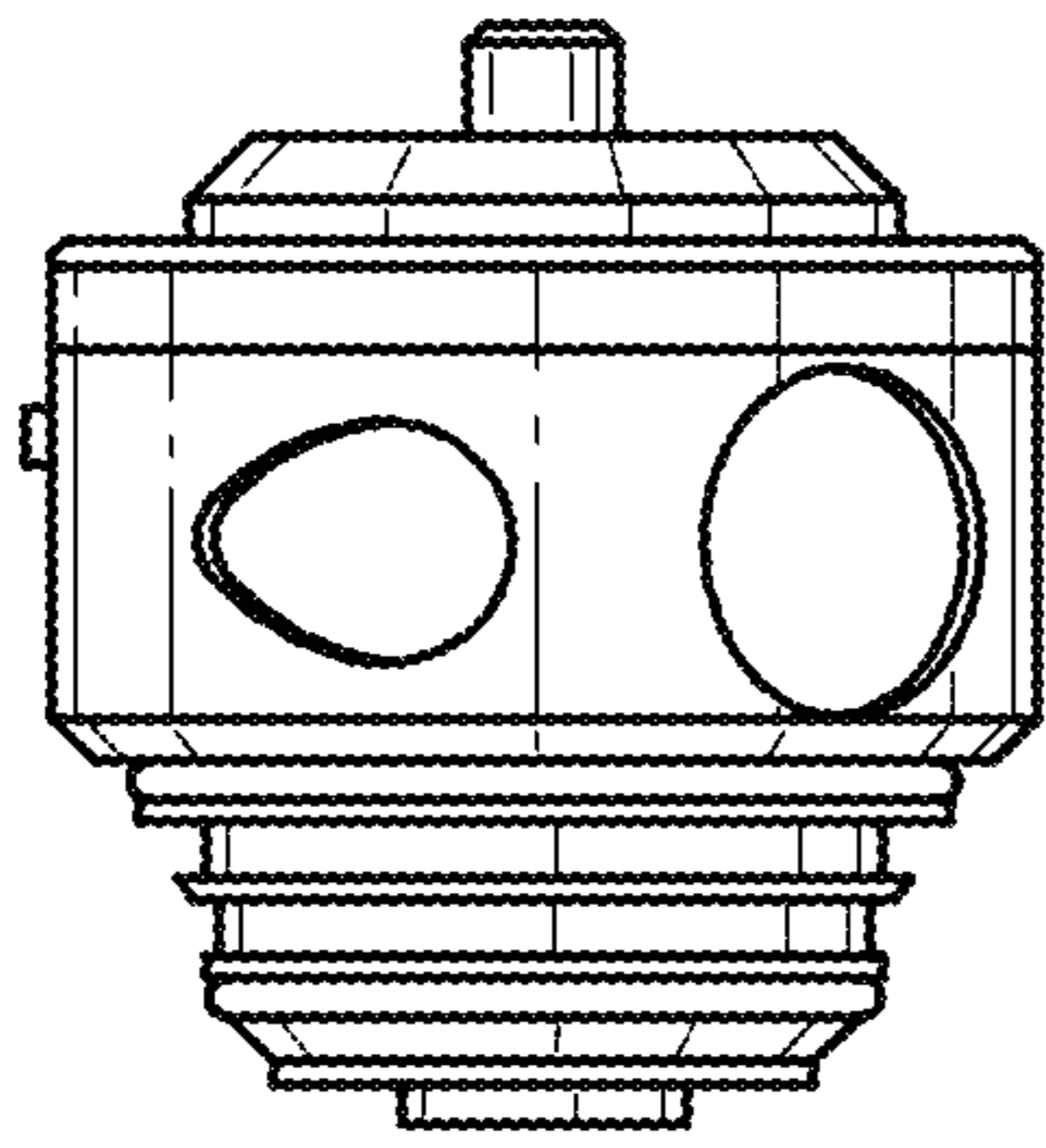
**FIG. 2**



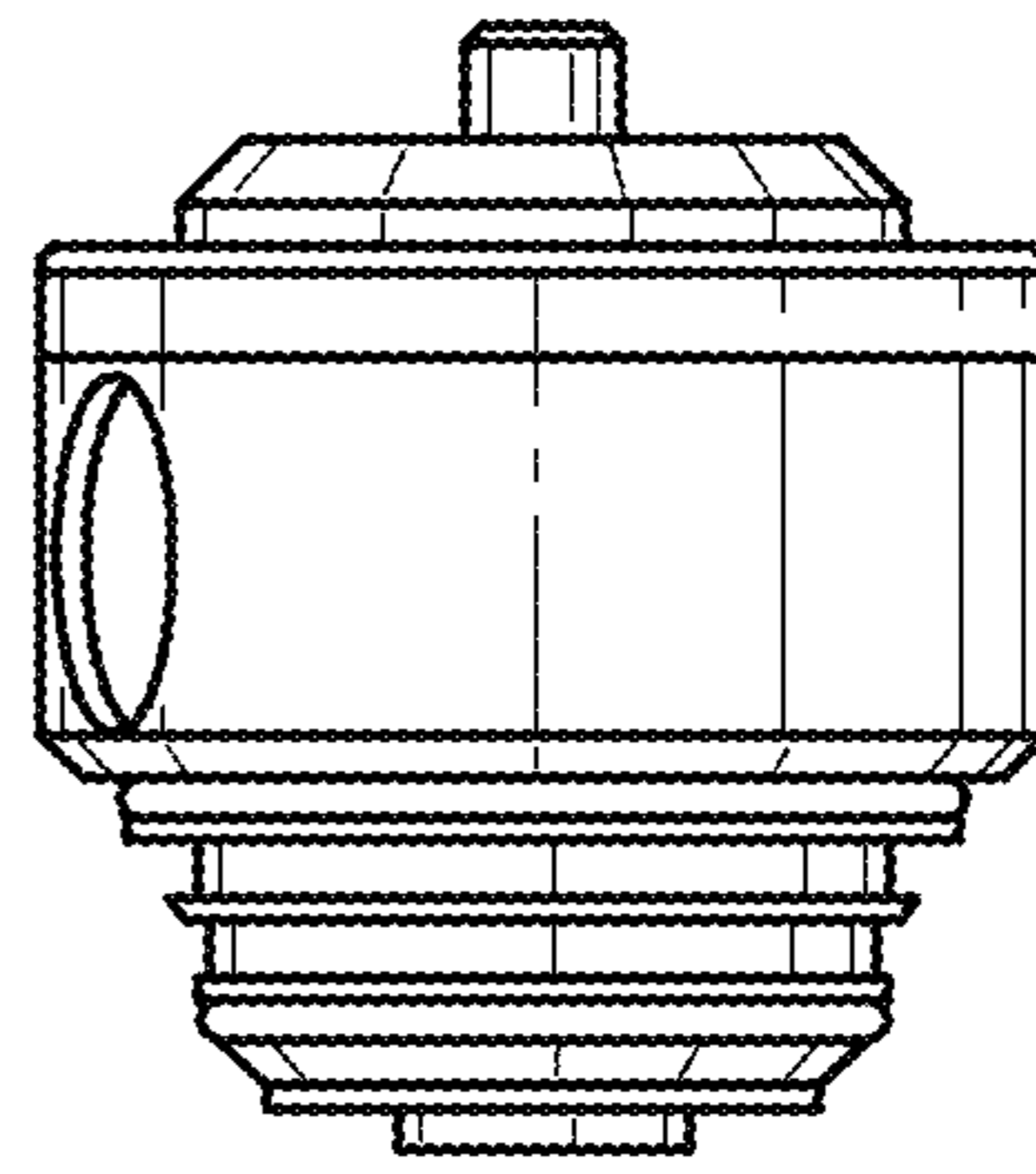
**FIG. 3**



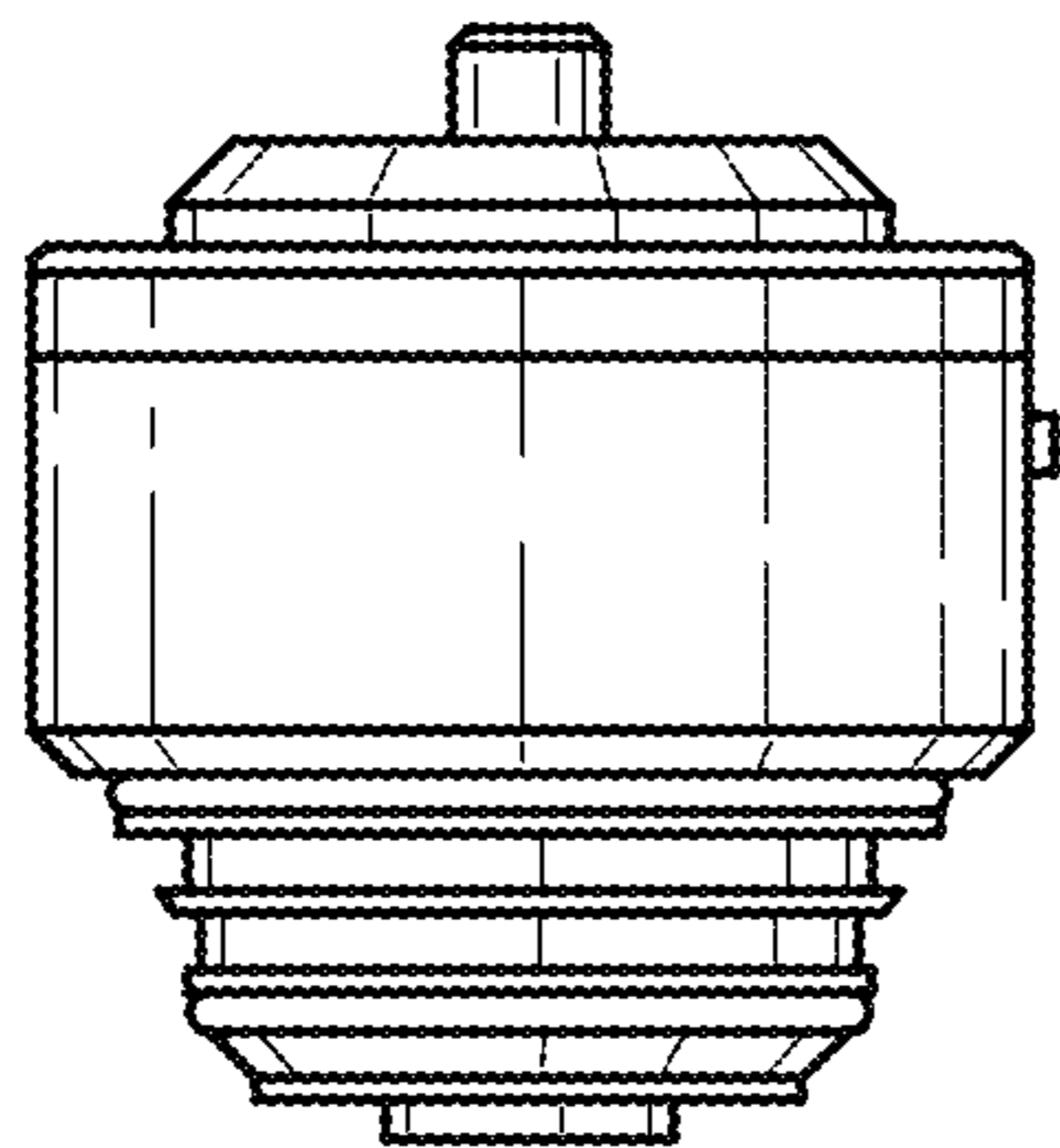
**FIG. 4**



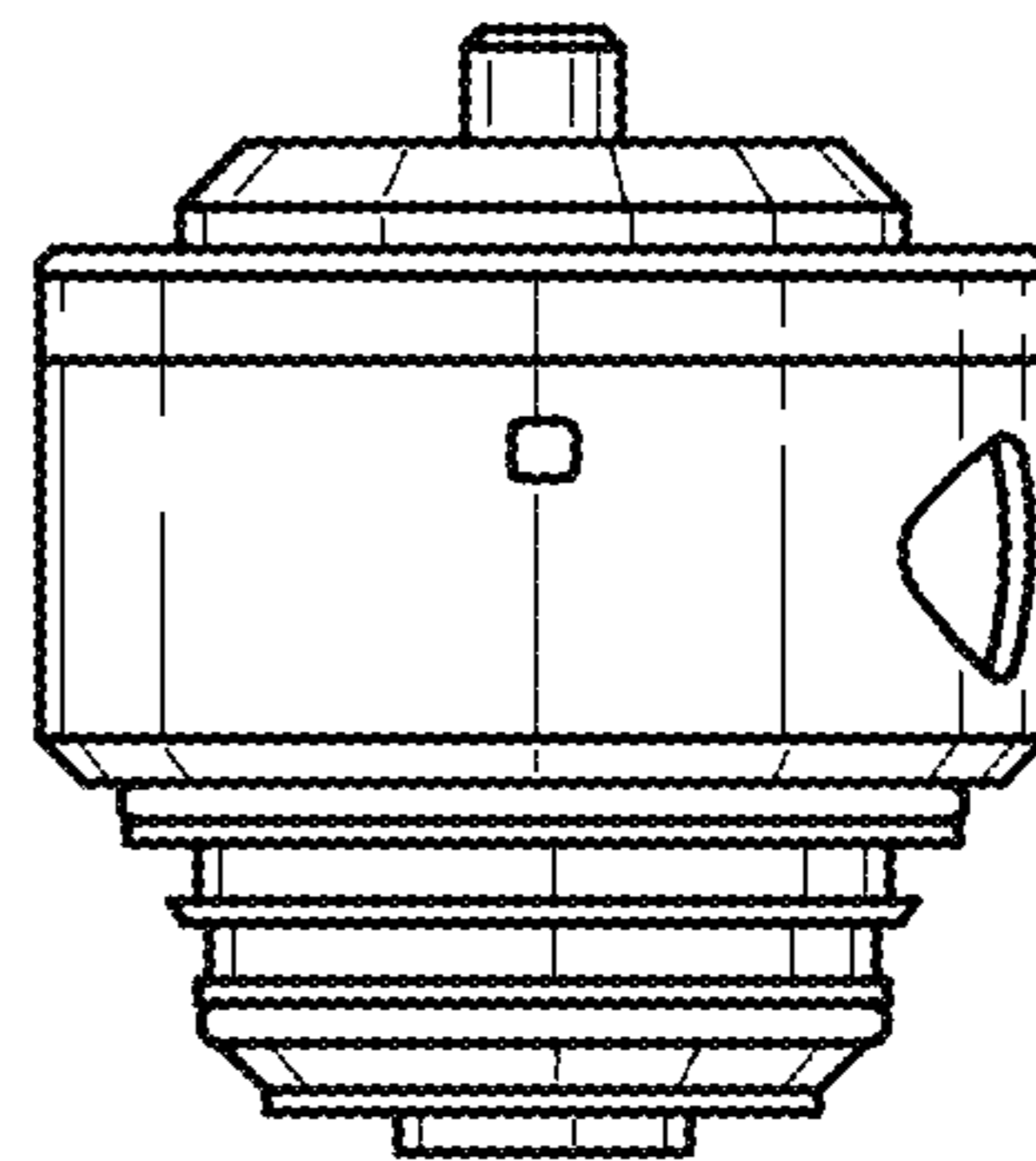
**FIG. 5**



**FIG. 6**



**FIG. 7**



**FIG. 8**