



US00D721435S

(12) **United States Design Patent**
Patterson et al.

(10) **Patent No.:** **US D721,435 S**
(45) **Date of Patent:** **** Jan. 20, 2015**

(54) **MEDICAL MARKING APPARATUS**

(71) Applicant: **Research Institute at Nationwide Children's Hospital**, Columbus, OH (US)

(72) Inventors: **Amber M. Patterson**, Westerville, OH (US); **Susan J. Bolton**, New Albany, OH (US); **Gayla J. Rogers**, Pickerington, OH (US)

(73) Assignee: **Research Institute at Nationwide Children's Hospital**, Columbus, OH (US)

(**) Term: **14 Years**

(21) Appl. No.: **29/443,243**

(22) Filed: **Jan. 15, 2013**

(51) **LOC (10) Cl.** **24-02**

(52) **U.S. Cl.**
USPC **D24/140**

(58) **Field of Classification Search**
CPC A61B 10/0035
USPC D24/140, 146, 216, 233, 127, 128, 130, D24/133, 158; 600/556
See application file for complete search history.

(56) **References Cited**

U.S. PATENT DOCUMENTS

| | | | | |
|-----------|-----|---------|-----------------|---------|
| 3,556,080 | A | 1/1971 | Hein | |
| 4,809,707 | A * | 3/1989 | Kraft et al. | 600/549 |
| 5,044,372 | A * | 9/1991 | Anhauser et al. | 600/556 |
| D322,673 | S | 12/1991 | Muller | |
| 5,179,959 | A * | 1/1993 | Fishman et al. | 600/556 |
| D340,289 | S * | 10/1993 | Gerber | D24/223 |

| | | | | |
|--------------|------|---------|-------------------|------------|
| 5,547,555 | A * | 8/1996 | Schwartz et al. | 204/403.03 |
| 5,746,700 | A | 5/1998 | Hsiao | |
| 5,749,836 | A | 5/1998 | Hsiao | |
| D412,990 | S | 8/1999 | Woolston et al. | |
| 6,024,706 | A | 2/2000 | Hsiao | |
| D439,985 | S | 4/2001 | Sanner | |
| 6,319,467 | B1 * | 11/2001 | McLernon, III | 600/556 |
| 6,611,707 | B1 | 8/2003 | Prausnitz et al. | |
| D491,276 | S * | 6/2004 | Langille | D24/225 |
| D523,964 | S | 6/2006 | Phelan et al. | |
| 7,344,499 | B1 | 3/2008 | Prausnitz et al. | |
| D623,303 | S * | 9/2010 | Koivulehto et al. | D24/186 |
| D629,517 | S * | 12/2010 | Jauch et al. | D24/140 |
| D667,548 | S * | 9/2012 | Brannon | D24/140 |
| D684,276 | S * | 6/2013 | Hudson et al. | D24/226 |
| 8,597,199 | B2 | 12/2013 | Harish et al. | |
| D698,937 | S | 2/2014 | Laverack et al. | |
| 2012/0253224 | A1 * | 10/2012 | Mir et al. | 600/556 |

* cited by examiner

Primary Examiner — Bridget L Eland

(74) *Attorney, Agent, or Firm* — Tarolli, Sundheim, Covell & Tummino LLP

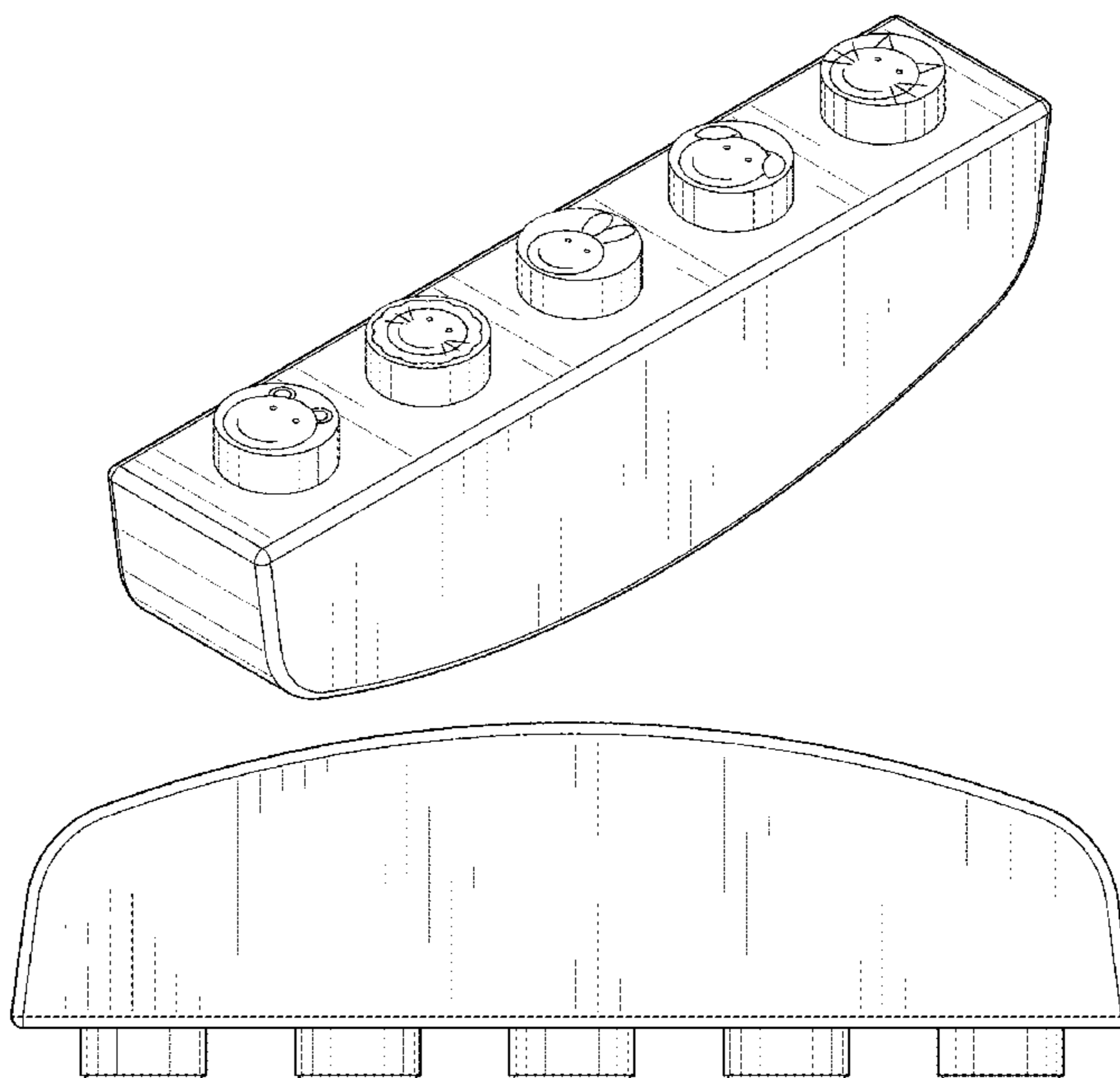
(57) **CLAIM**

The ornamental design for a medical marking apparatus, as shown and described.

DESCRIPTION

FIG. 1 is an upper perspective view of a medical marking apparatus showing our new design; FIG. 2 is a lower perspective view thereof; FIG. 3 is a front elevation view thereof; FIG. 4 is a rear elevation view thereof; FIG. 5 is a top plan view thereof; FIG. 6 is a bottom plan view thereof; FIG. 7 is a first side elevation view thereof; and, FIG. 8 is a second side elevation view thereof.

1 Claim, 3 Drawing Sheets



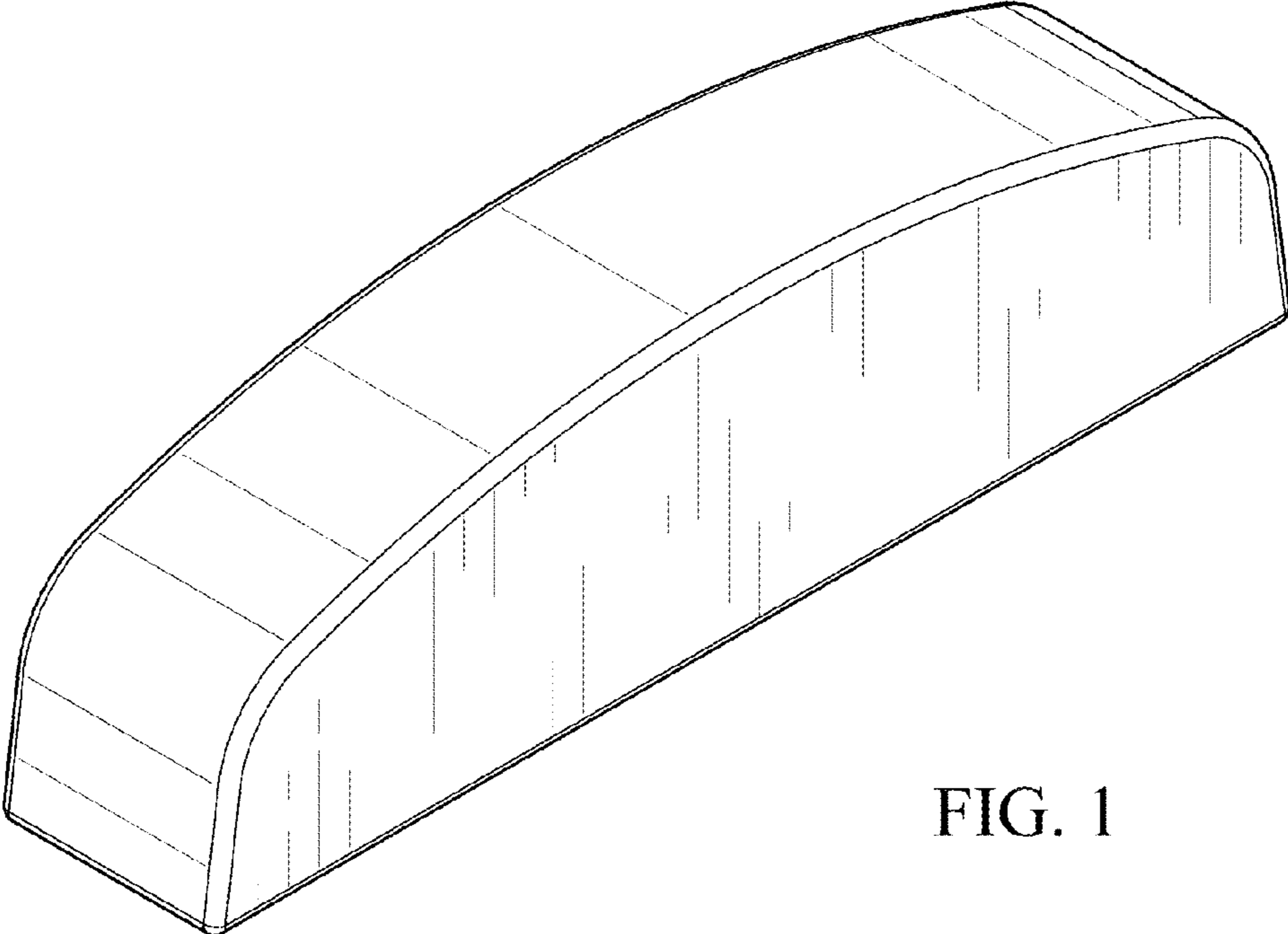


FIG. 1

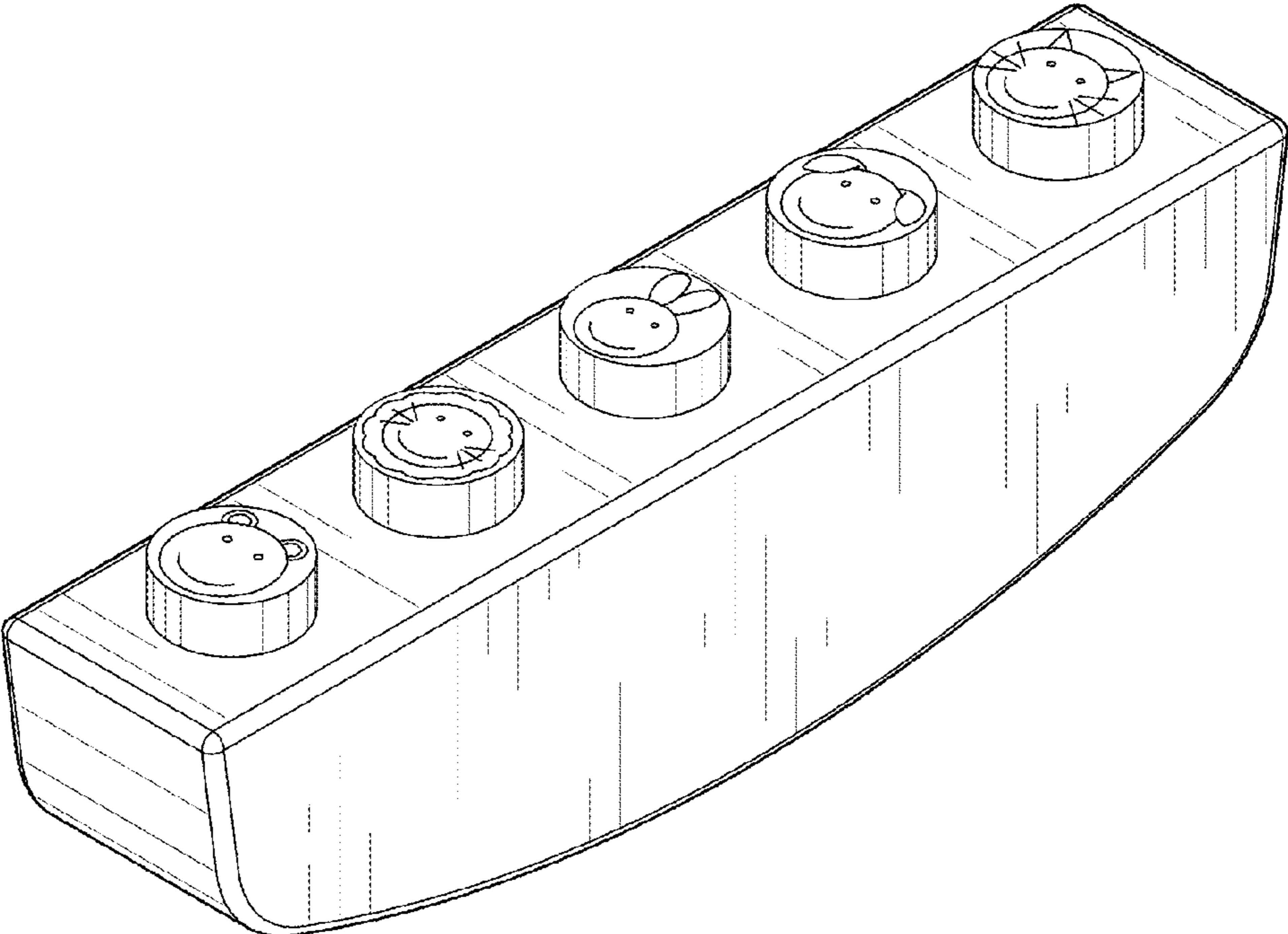


FIG. 2

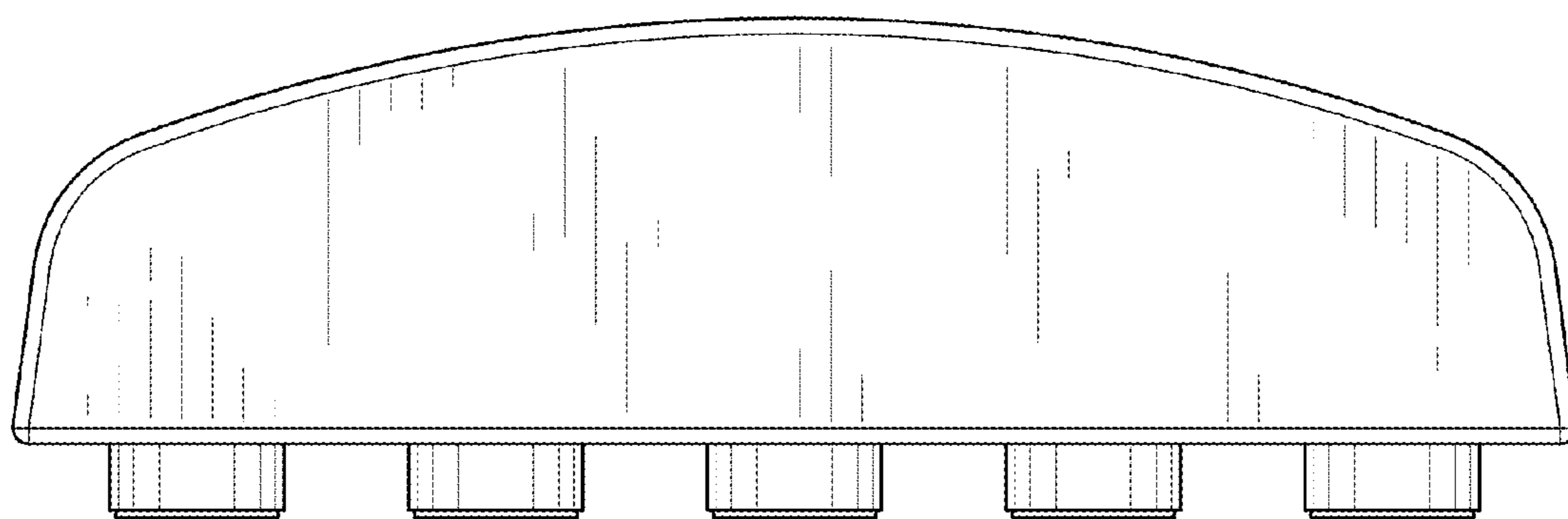


FIG. 3

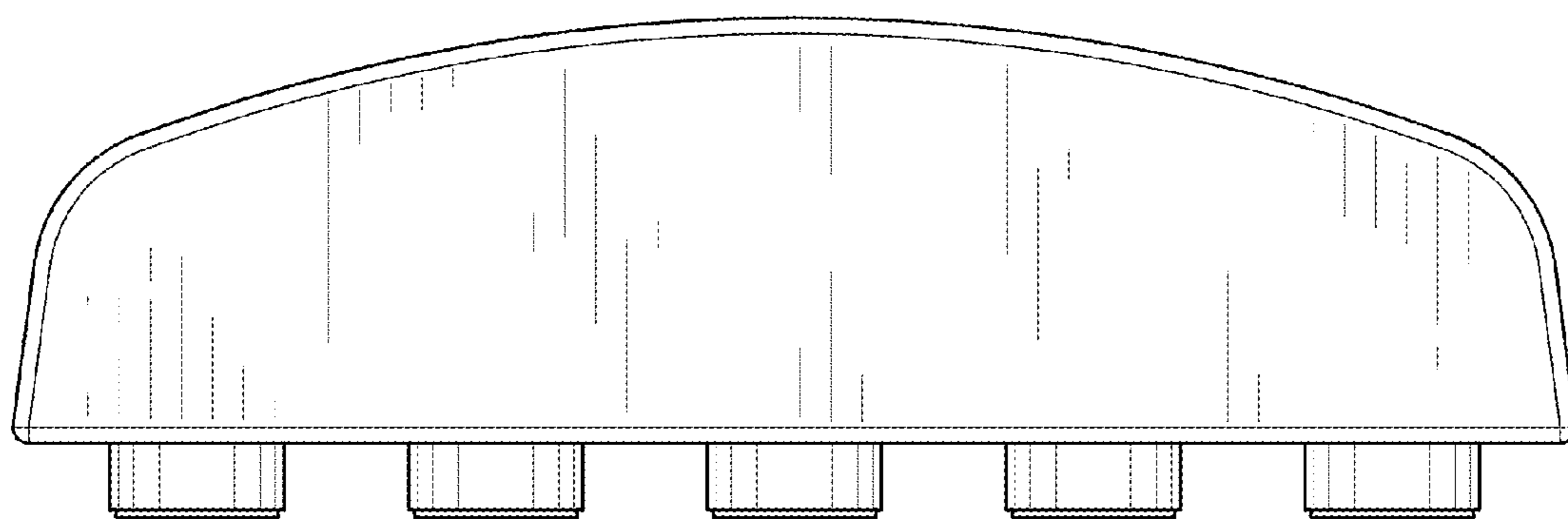


FIG. 4

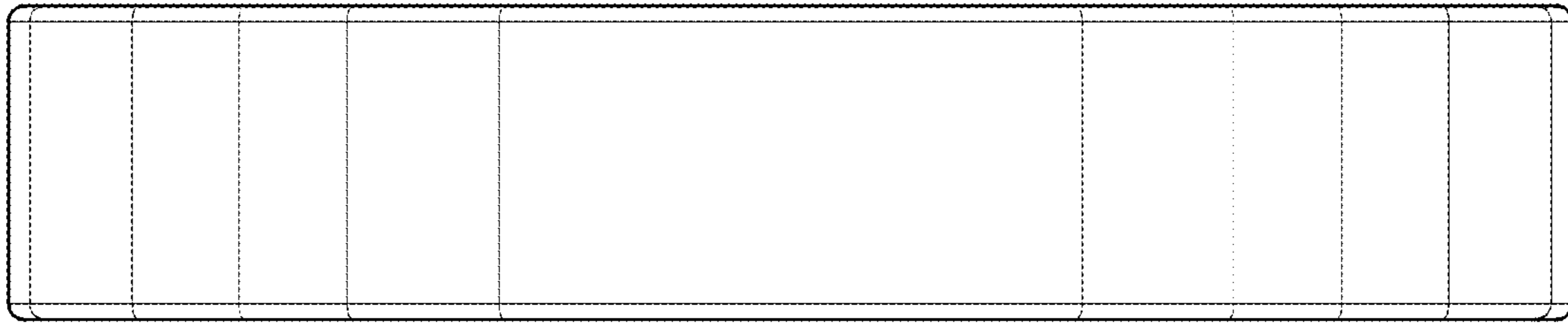


FIG. 5

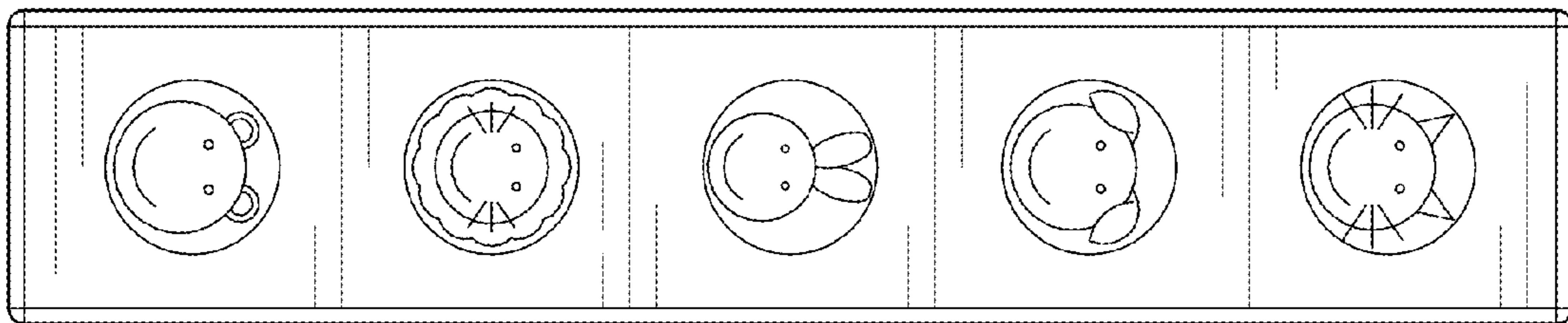


FIG. 6

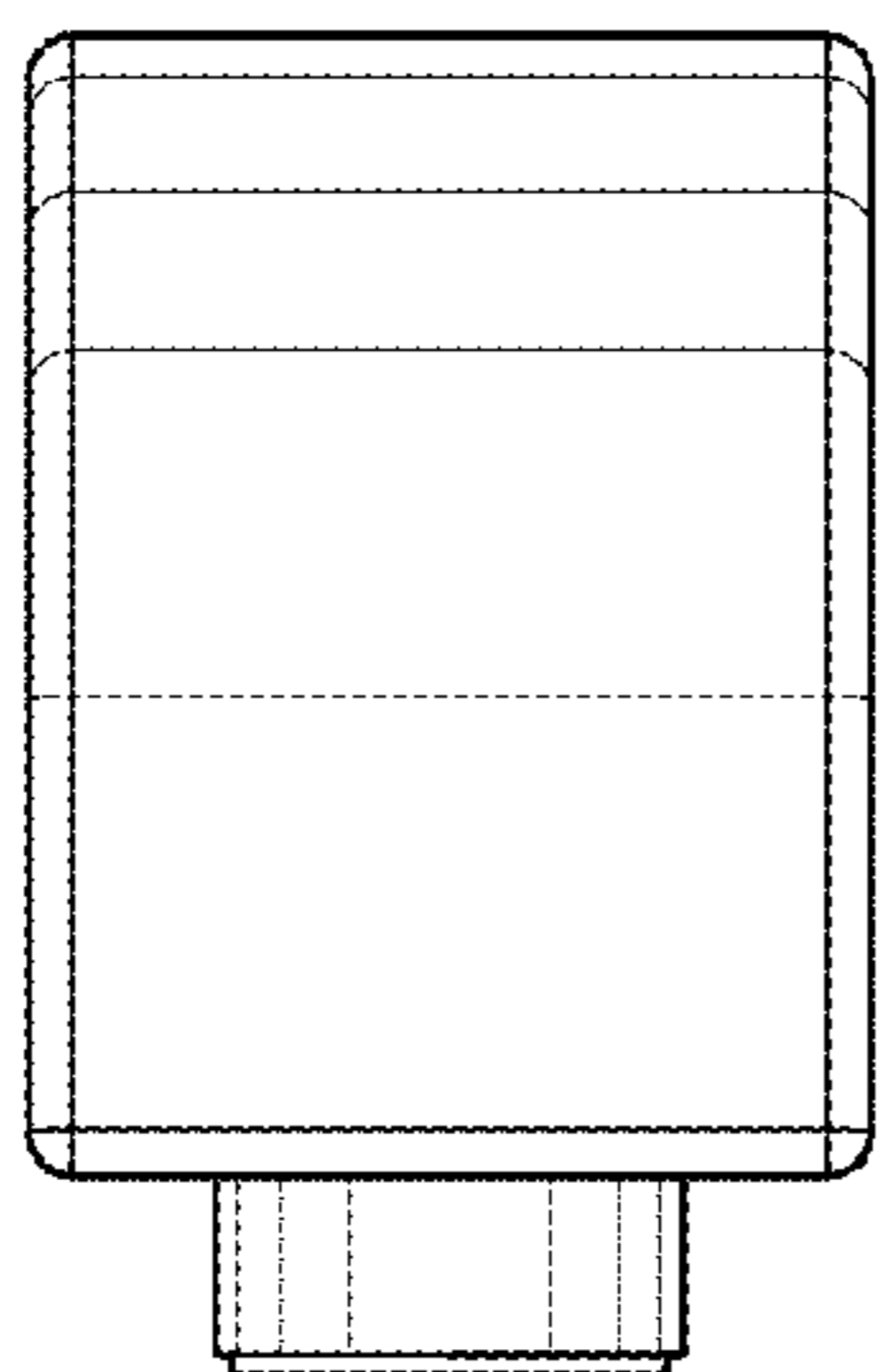


FIG. 7

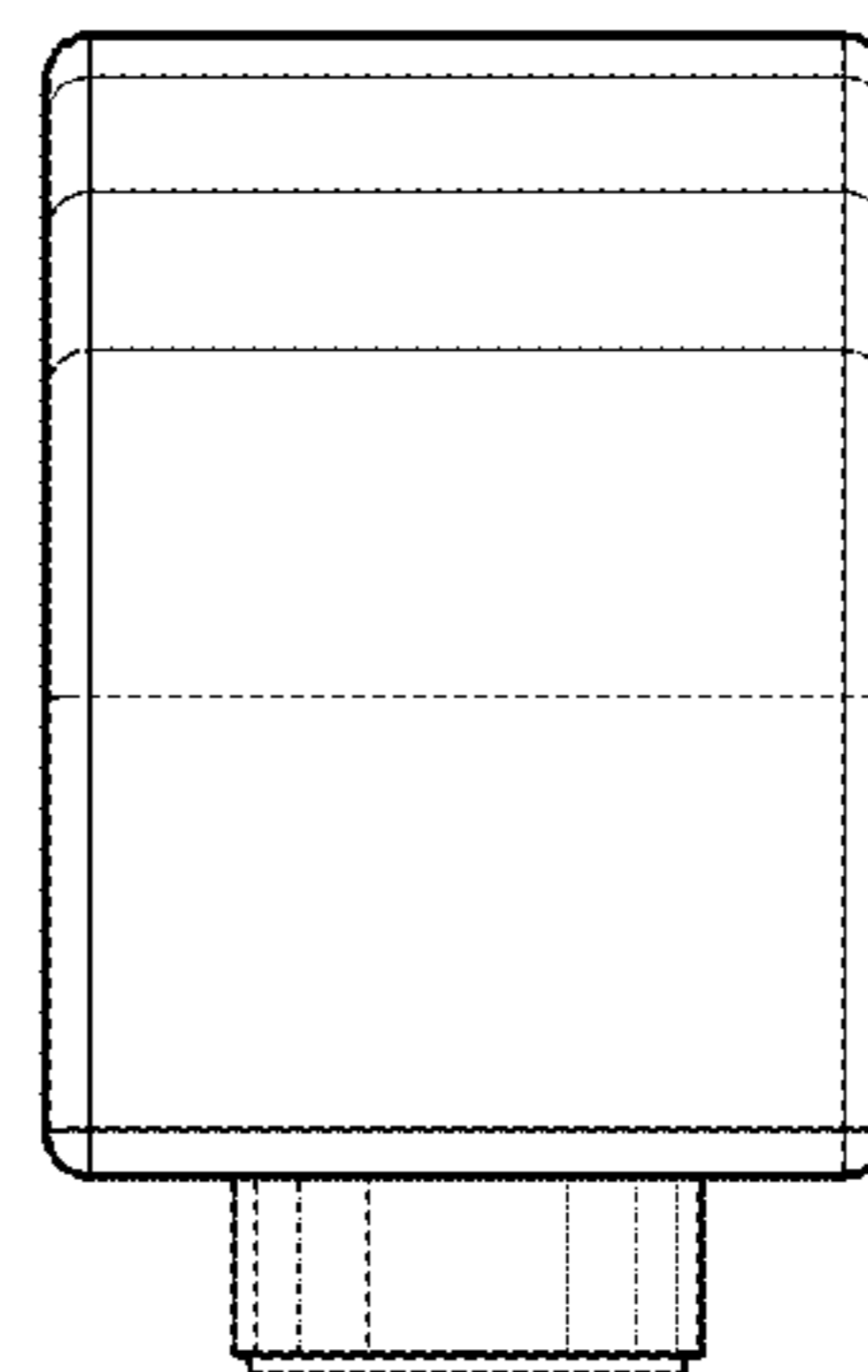


FIG. 8