



US00D721432S

(12) **United States Design Patent**  
**Storz**

(10) **Patent No.:** **US D721,432 S**  
(45) **Date of Patent:** **\*\* Jan. 20, 2015**

(54) **VAPORIZER**

(71) Applicant: **Stobi GmbH & Co. KG**, Tuttlingen (DE)

(72) Inventor: **Markus Storz**, Tuttlingen (DE)

(73) Assignee: **Stobi GmbH & Co. KG**, Tuttlingen (DE)

(\*\*) Term: **14 Years**

(21) Appl. No.: **29/433,542**

(22) Filed: **Oct. 1, 2012**

(30) **Foreign Application Priority Data**

Sep. 12, 2012 (EM) ..... 002101360

(51) **LOC (10) Cl.** ..... **24-02**

(52) **U.S. Cl.**  
USPC ..... **D24/110**

(58) **Field of Classification Search**  
CPC ..... A61M 15/009  
USPC ..... D24/107, 110; D23/360; 128/200.14,  
128/200.21, 203.12, 203.14, 203.25,  
128/203.26, 203.27

See application file for complete search history.

(56) **References Cited**

U.S. PATENT DOCUMENTS

5,431,154 A \* 7/1995 Seigel et al. .... 128/200.14  
D459,786 S \* 7/2002 Sweeton ..... D23/226  
D526,709 S \* 8/2006 Engelen ..... D23/360

\* cited by examiner

*Primary Examiner* — Ian Simmons

*Assistant Examiner* — Richelle G Shelton

(74) *Attorney, Agent, or Firm* — Schlee IP International, P.C.; Alexander R. Schlee

(57) **CLAIM**

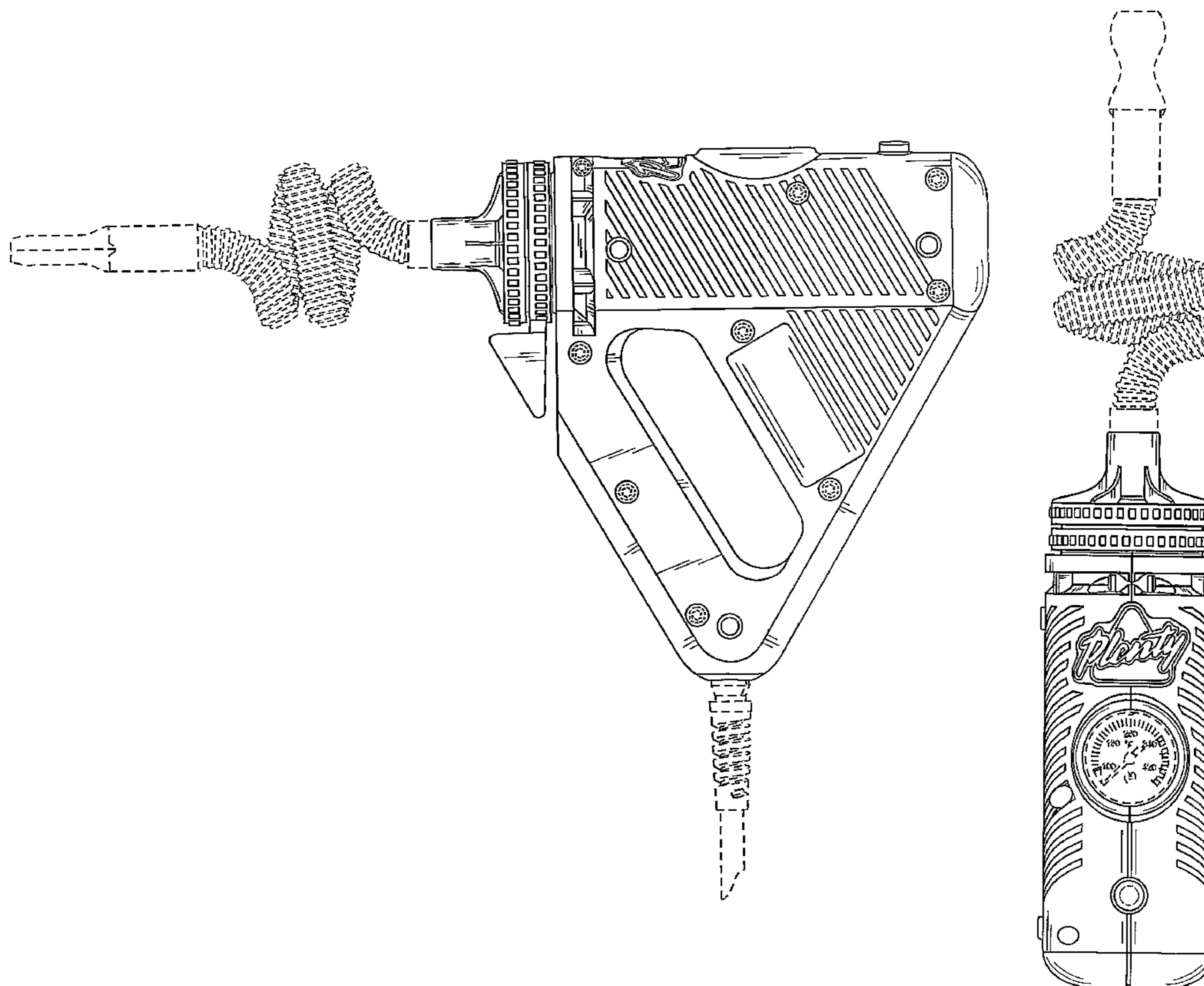
The ornamental design for a vaporizer, as shown and described.

**DESCRIPTION**

FIG. 1 is a front perspective view of the vaporizer;  
FIG. 2 is a right side view thereof;  
FIG. 3 is a left side view thereof;  
FIG. 4 is a top view thereof;  
FIG. 5 is a bottom view thereof;  
FIG. 6 is a front view thereof; and,  
FIG. 7 is a rear view thereof.

Some elements of the vaporizer have been shown in broken lines. The portions of the vaporizer shown in broken lines form no part of the claimed design.

**1 Claim, 7 Drawing Sheets**



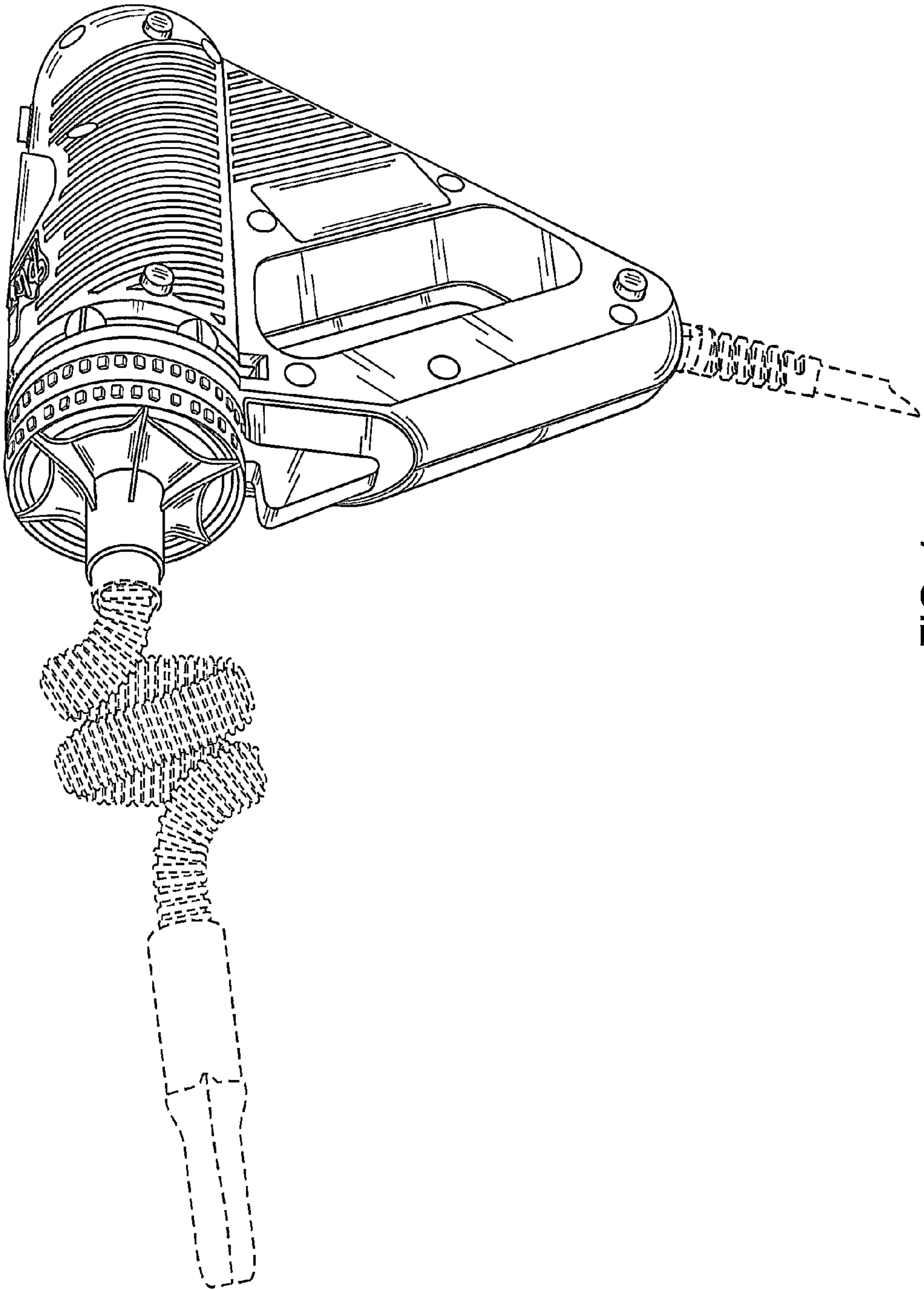


FIG. 1

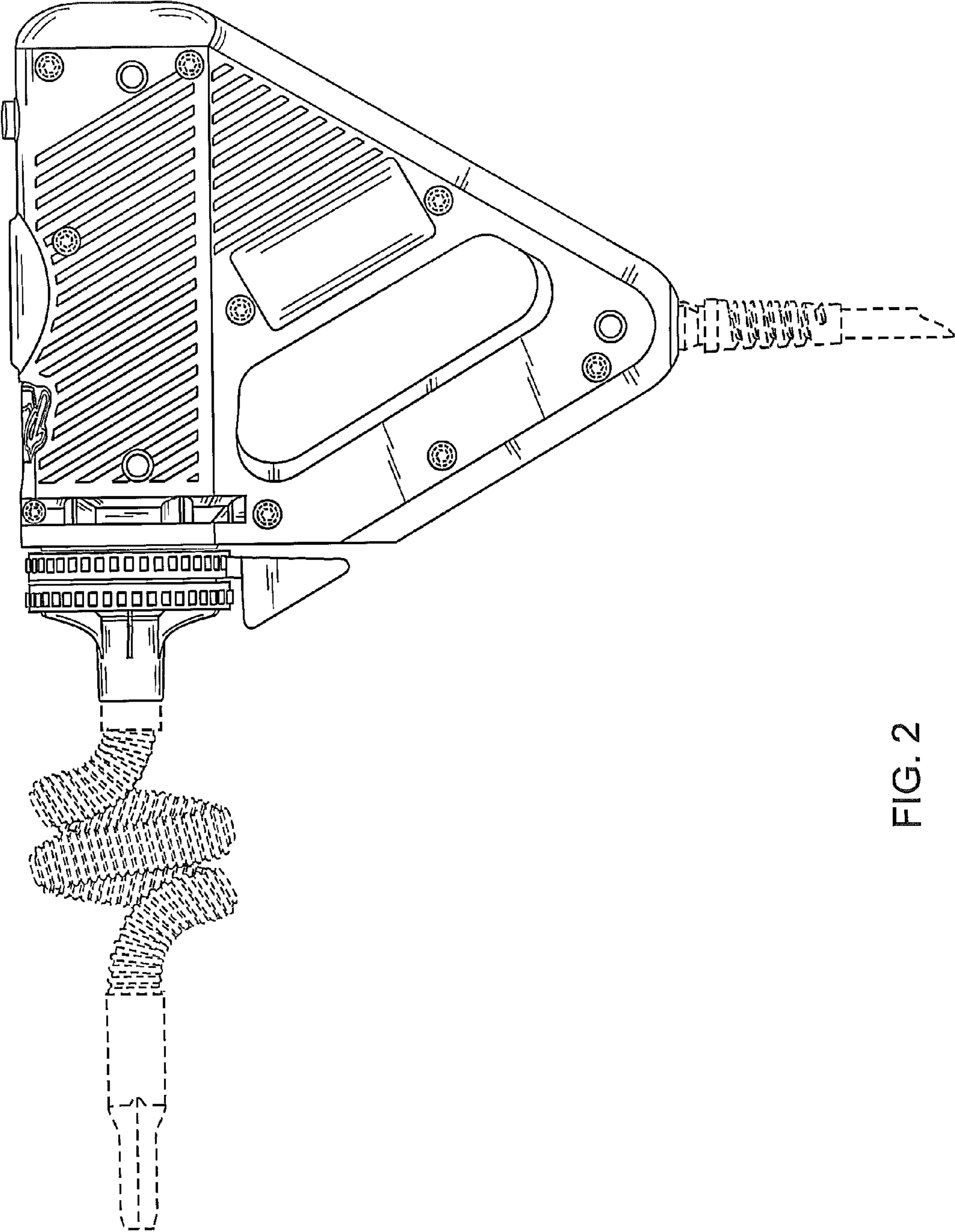


FIG. 2

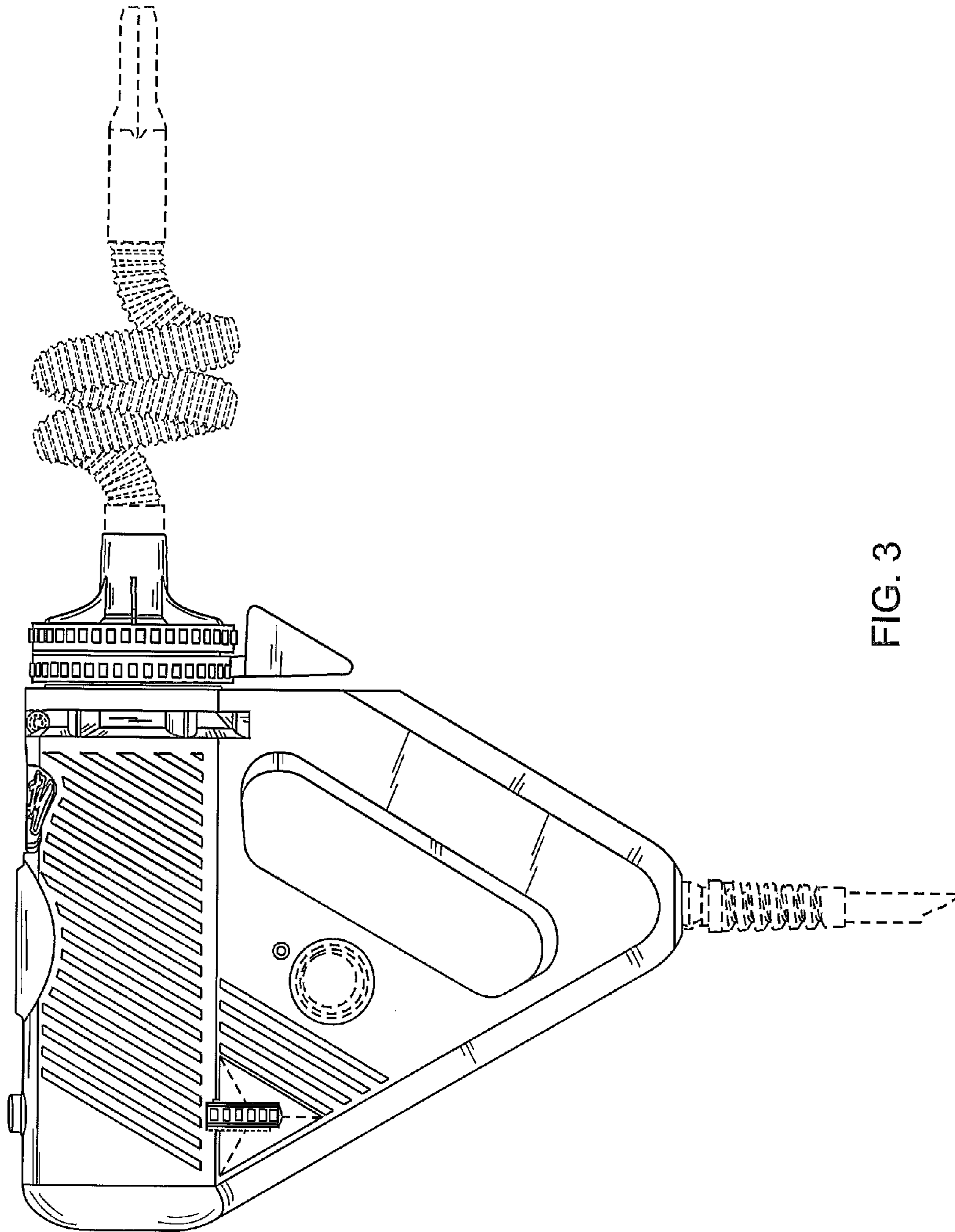


FIG. 3

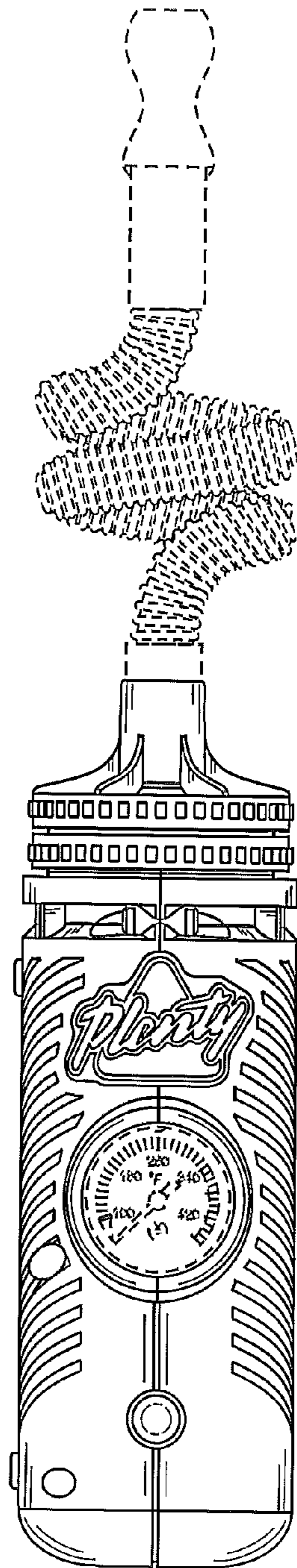


FIG. 4

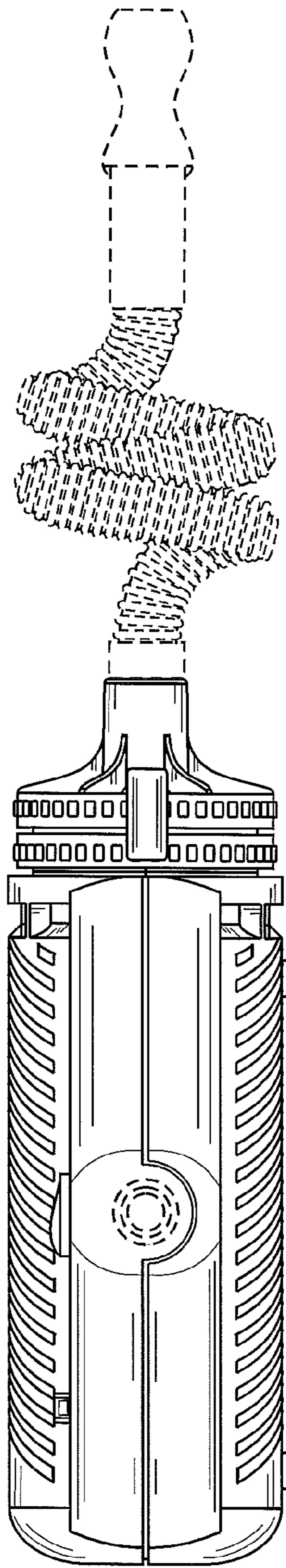


FIG. 5

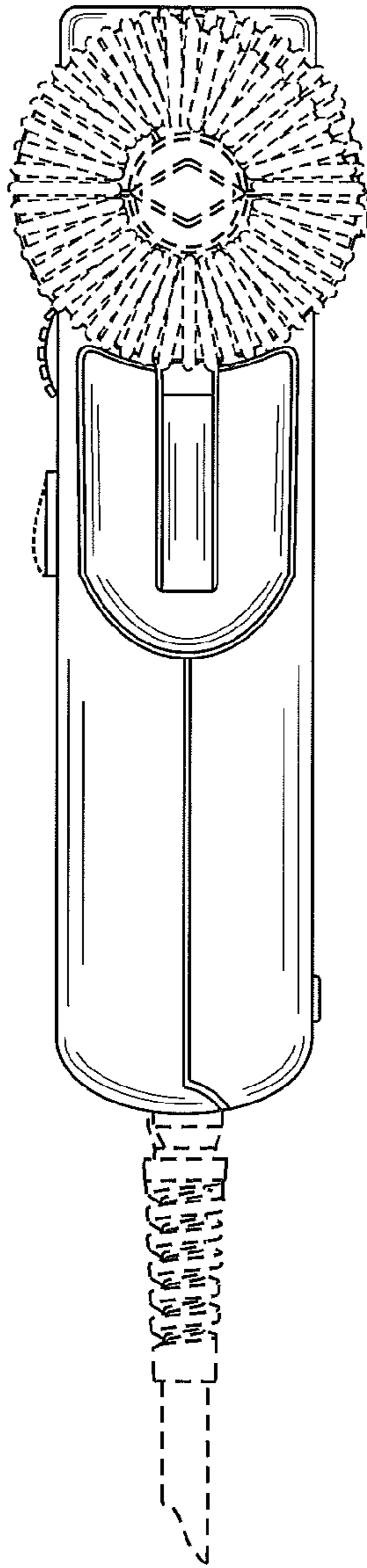


FIG. 6

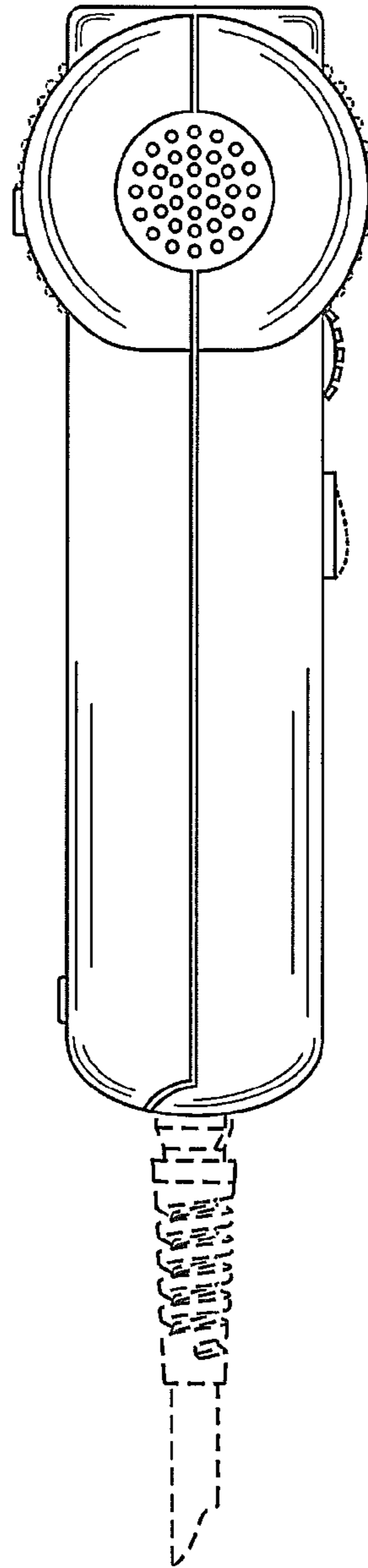


FIG. 7