



US00D721431S

(12) **United States Design Patent**
Herbst et al.

(10) **Patent No.:** **US D721,431 S**
(45) **Date of Patent:** **** Jan. 20, 2015**

(54) **ROUND DESK FAN WITH CIRCULAR STAND**

(71) Applicant: **O2Cool, LLC**, Chicago, IL (US)

(72) Inventors: **Scot Herbst**, Santa Cruz, CA (US); **Eric F. Junkel**, Mount Prospect, IL (US)

(73) Assignee: **O2Cool, Inc.**, Chicago, IL (US)

(**) Term: **14 Years**

(21) Appl. No.: **29/453,765**

(22) Filed: **May 2, 2013**

(51) **LOC (10) Cl.** **23-04**

(52) **U.S. Cl.**

USPC **D23/382**

(58) **Field of Classification Search**

CPC ... F04D 25/084; F04D 29/601; F04D 29/388;
F04D 29/4226

USPC D23/380, 332, 335, 353-379, 381-385,
D23/411, 499; D9/526, 689-693; 392/365,
392/367; 415/53.1-53.3; 416/62, 100,
416/244 R, 246, 247 R; 417/200

See application file for complete search history.

(56) **References Cited**

U.S. PATENT DOCUMENTS

4,813,683	A	*	3/1989	Ginovsky et al.	273/317
D313,275	S	*	12/1990	Aida	D23/370
5,601,412	A	*	2/1997	Vice	416/247 R
D386,579	S	*	11/1997	Jane et al.	D23/412
D387,153	S	*	12/1997	Fok	D23/382
D387,422	S	*	12/1997	Radtke et al.	D23/328
D420,442	S	*	2/2000	Brewer	D23/412
D429,328	S	*	8/2000	Hotaling et al.	D23/412

(Continued)

OTHER PUBLICATIONS

O2 Cool 8" Battery or Electric Portable Fan. Walmart.com(online). 8 pages. Posted at least as early Jun. 24, 2011 [retrieved on Nov. 18,

2014]. Retrieved from Internet: <<http://www.walmart.com/ip/O2-Cool-8-Battery-or-Electric-Portable-Fan/15992438>>.*

(Continued)

Primary Examiner — Susan Bennett Hattan

Assistant Examiner — Marie Fast Horse

(74) *Attorney, Agent, or Firm* — Knechtel, Demeur & Samlan

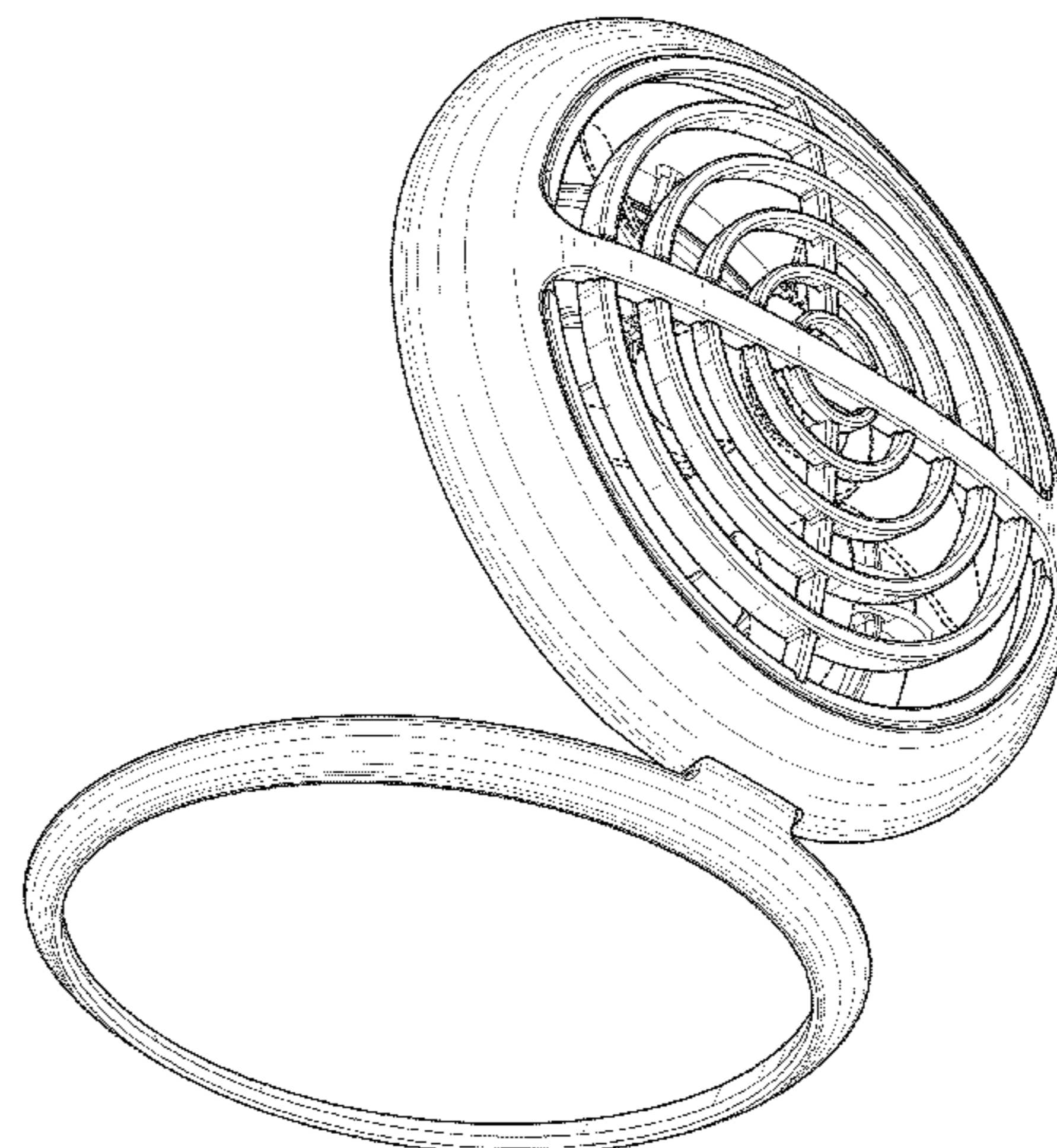
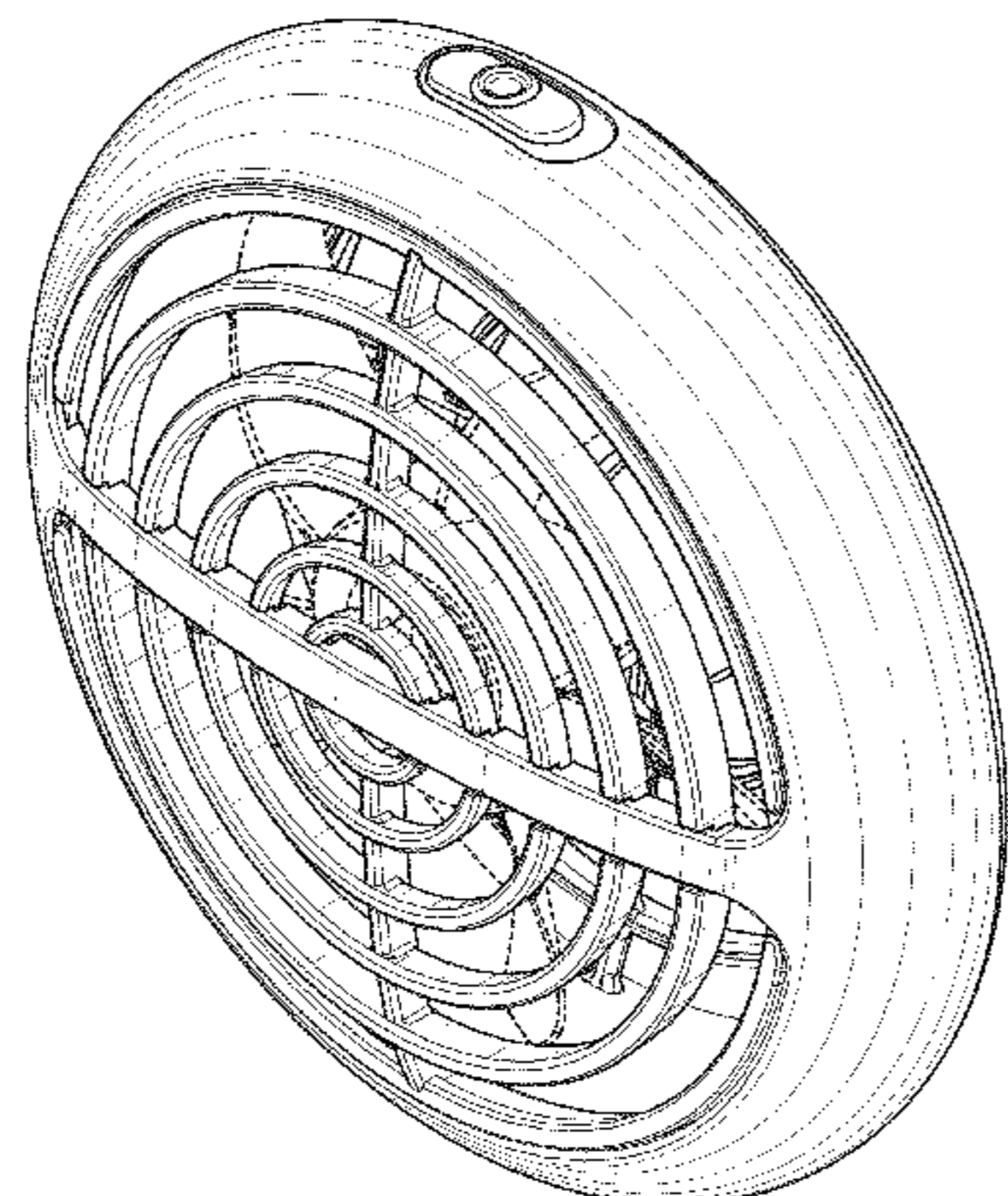
(57) **CLAIM**

We claim the ornamental design for a round desk fan with circular stand, as shown and described.

DESCRIPTION

FIG. 1 is a top right corner perspective view of the round desk fan with circular stand showing our new design;
 FIG. 2 is a bottom left corner perspective view thereof;
 FIG. 3 is a front elevation view thereof;
 FIG. 4 is a rear elevation view thereof;
 FIG. 5 is a left end view thereof;
 FIG. 6 is a right end view thereof;
 FIG. 7 is a top plan view thereof;
 FIG. 8 is a bottom view thereof;
 FIG. 9 is a top right corner perspective view with the fan base in an open position;
 FIG. 10 is a bottom left corner perspective view with the fan base in an open position;
 FIG. 11 is a front elevation view with the fan base in an open position;
 FIG. 12 is a rear view with the fan base in an open position;
 FIG. 13 is a left end view with the fan base in an open position;
 FIG. 14 is a right end view with the fan base in an open position;
 FIG. 15 is a top view with the fan base in an open position; and,
 FIG. 16 is a bottom view with the fan base in an open position. The broken line showing the fan blade forms no part of the claimed design.

1 Claim, 15 Drawing Sheets



(56)

References Cited

U.S. PATENT DOCUMENTS

D435,899	S *	1/2001	Melwani	D23/382
D449,373	S *	10/2001	Pinchuk	D23/382
D459,460	S *	6/2002	Melwani	D23/370
D510,994	S *	10/2005	Indio Da Costa	D23/382
D531,296	S *	10/2006	Chen	D23/370
D564,084	S *	3/2008	Chen	D23/382
D566,260	S *	4/2008	Chen	D23/382
D566,830	S *	4/2008	Lewis	D23/411
D595,836	S *	7/2009	Ediger et al.	D23/411
D596,284	S *	7/2009	Ediger et al.	D23/411
D597,195	S *	7/2009	Zhuang	D23/411
D599,471	S *	9/2009	Borovicka et al.	D23/412
D610,671	S *	2/2010	Zhuang et al.	D23/382
D674,476	S *	1/2013	Junkel et al.	D23/370
D684,249	S *	6/2013	Herbst	D23/370
D689,599	S *	9/2013	Herbst	D23/382
D701,954	S *	4/2014	Kienzler	D23/414
2013/0108481	A1 *	5/2013	Hoye	417/234

OTHER PUBLICATIONS

Zeitech DC fan series. beecrazy.hk(online).pp. 4 and 5 of 10. Posted at least as early Nov. 1, 2013 [retrieved on Nov. 18, 2014]. Retrieved from Internet: <https://web.archive.org/web/20131022083844/http://www.beecrazy.hk/zh_tw/deals/4-mini-dc-fan-12-dc-stand-wall-fan>.*

Pelonis Portable Folding Personal Fan. Amazon.com(online). 6 pages. Posted at least as early Aug. 22, 2013 [retrieved on Nov. 18, 2014]. Retrieved from Internet: <http://www.amazon.com/Pelonis-Portable-Folding-Personal-Silver/dp/B00DV2P88S>.*

Desk Fans (Design - © Questel). orbit.com [online PDF] 32 pages. Uploaded range 2005-2014 [retrieved on Oct. 27, 2014]. Retrieved from Internet <<http://sobjprd.questel.fr/export/QPTUJ214/pdf2/c04e09e5-9b01-4eaa-8894-4047e8a582f7-170615.pdf>>.*

* cited by examiner

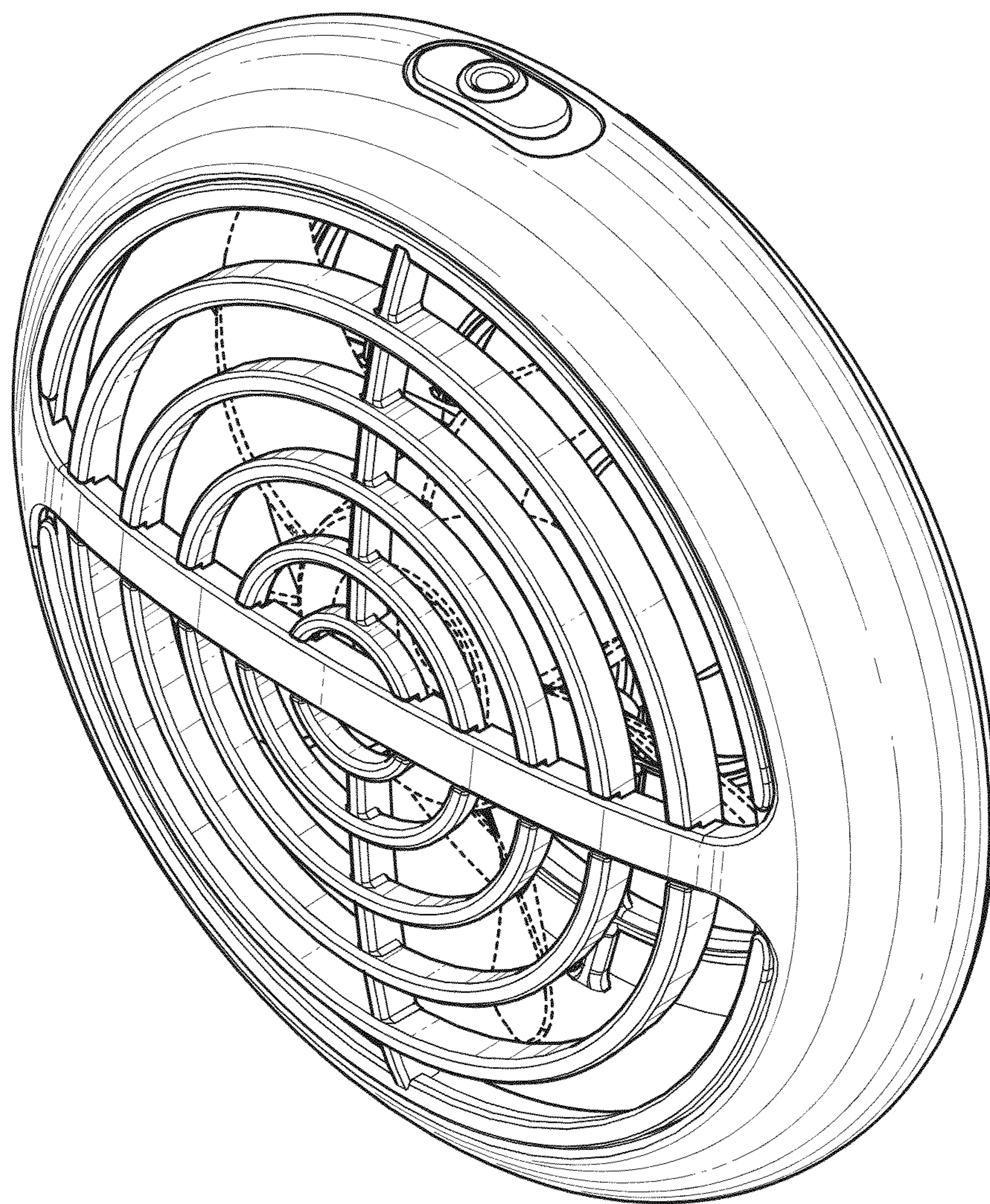


FIG. 1

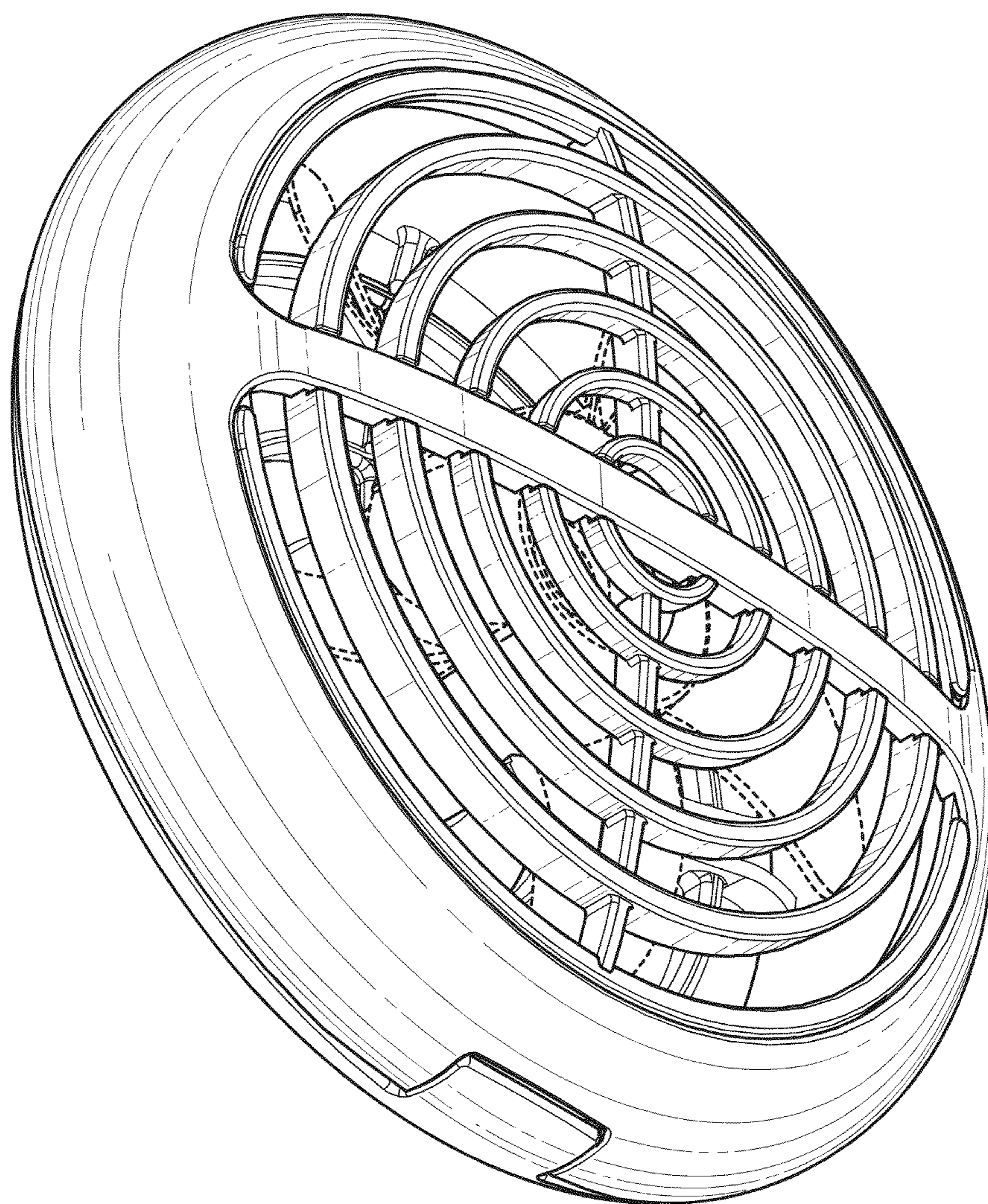


FIG. 2

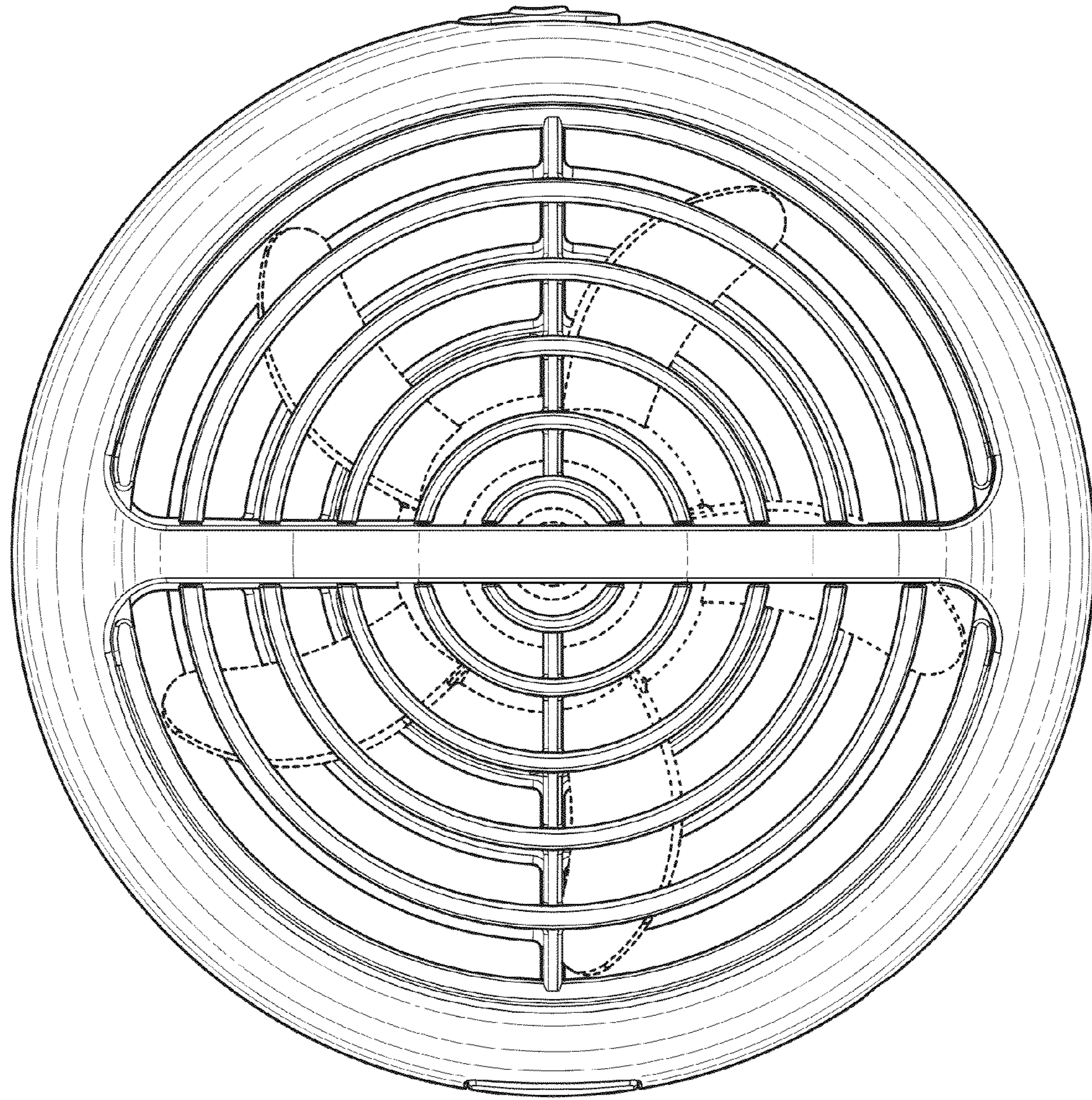


FIG. 3

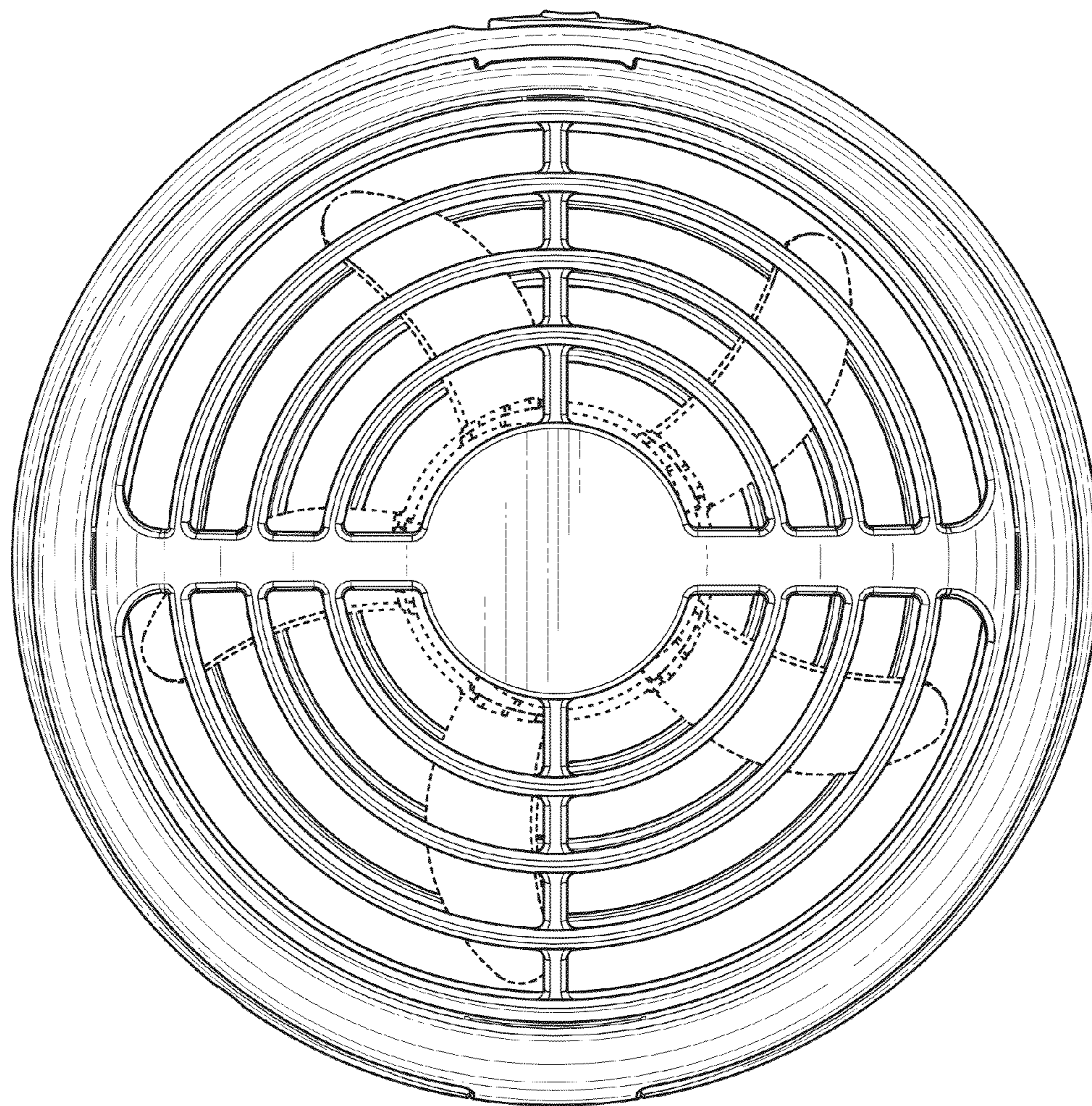


FIG. 4

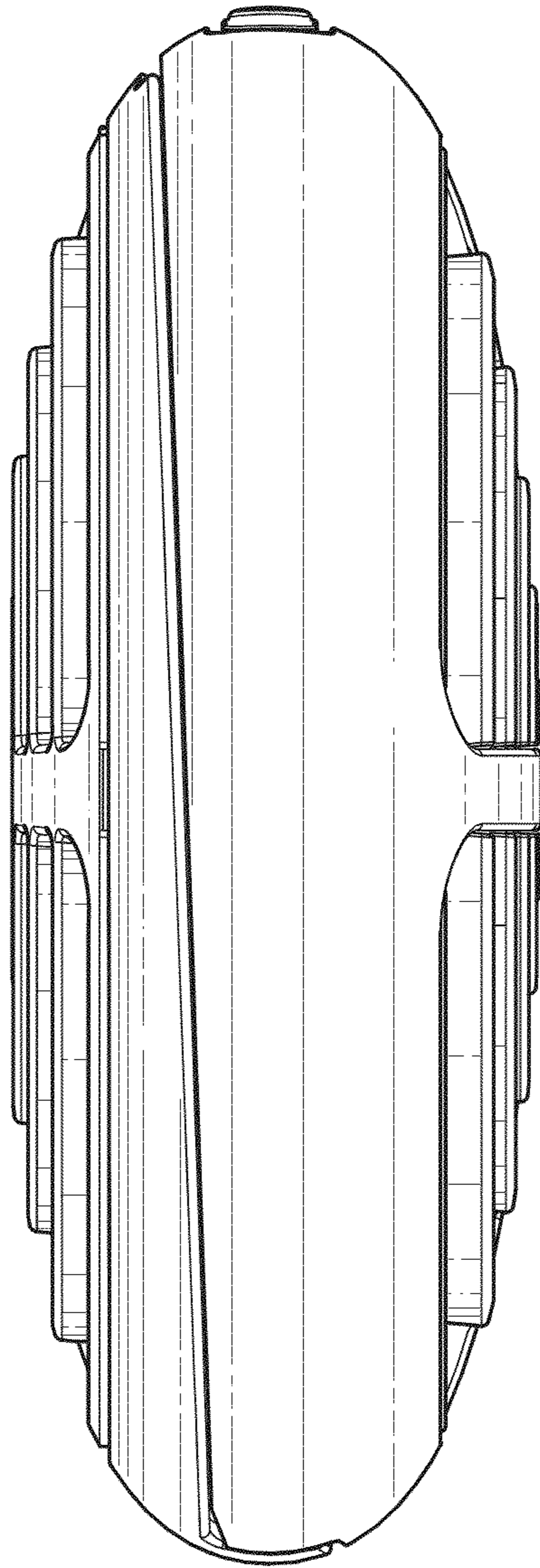


FIG. 5

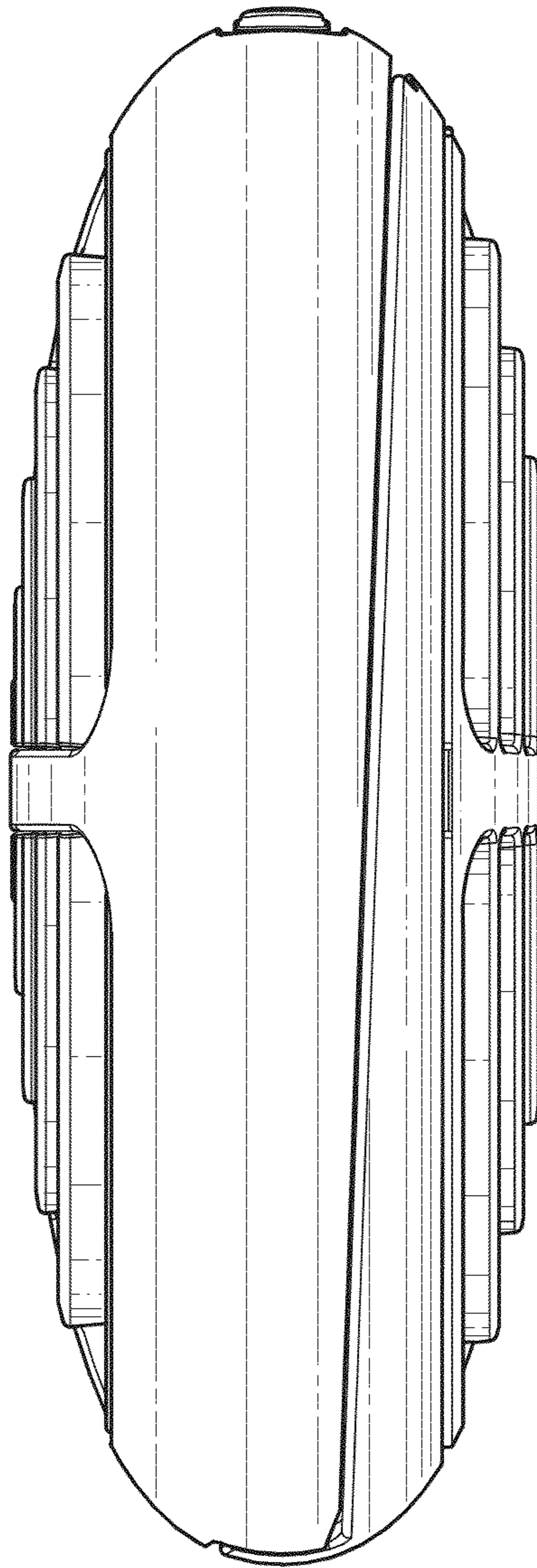


FIG. 6

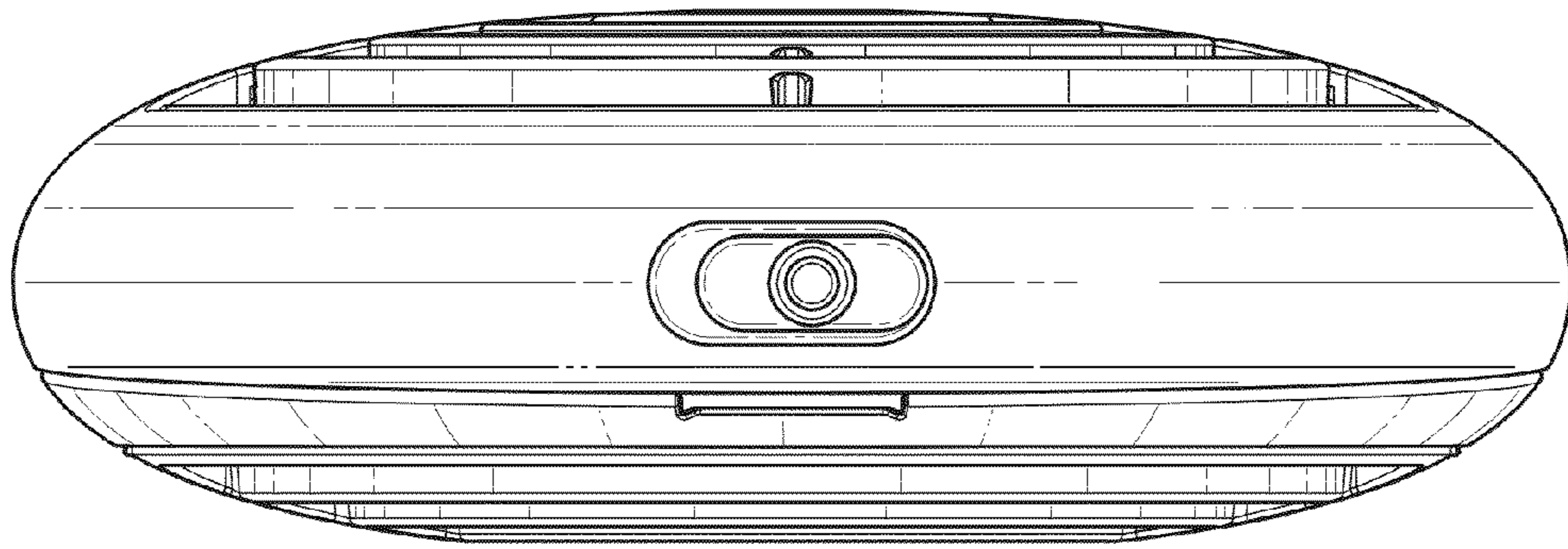


FIG. 7

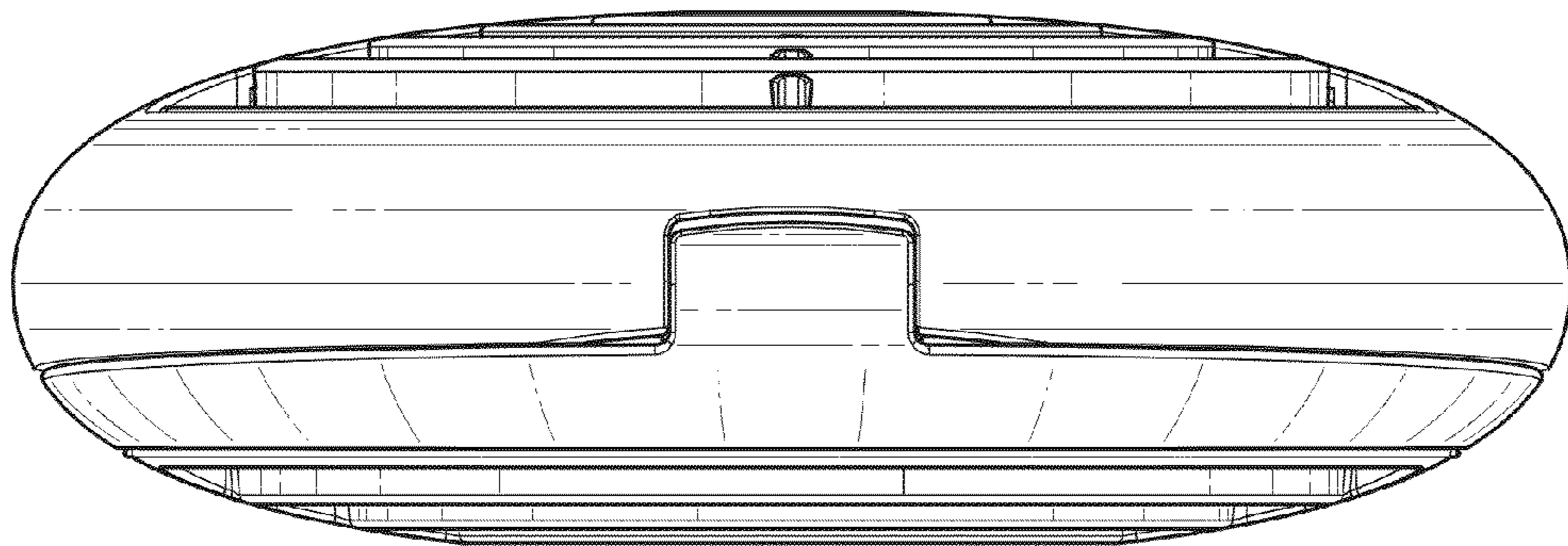


FIG. 8

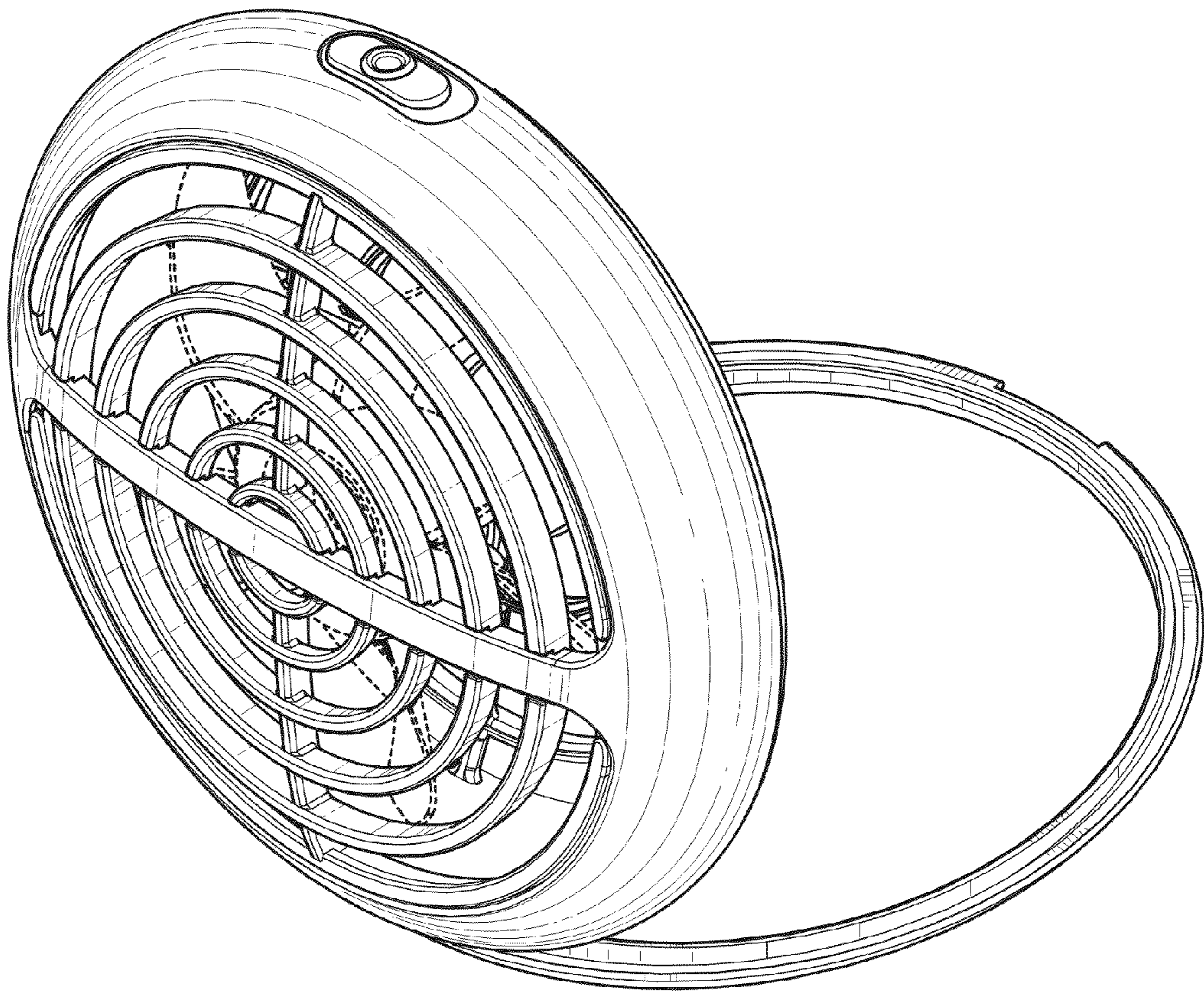


FIG. 9

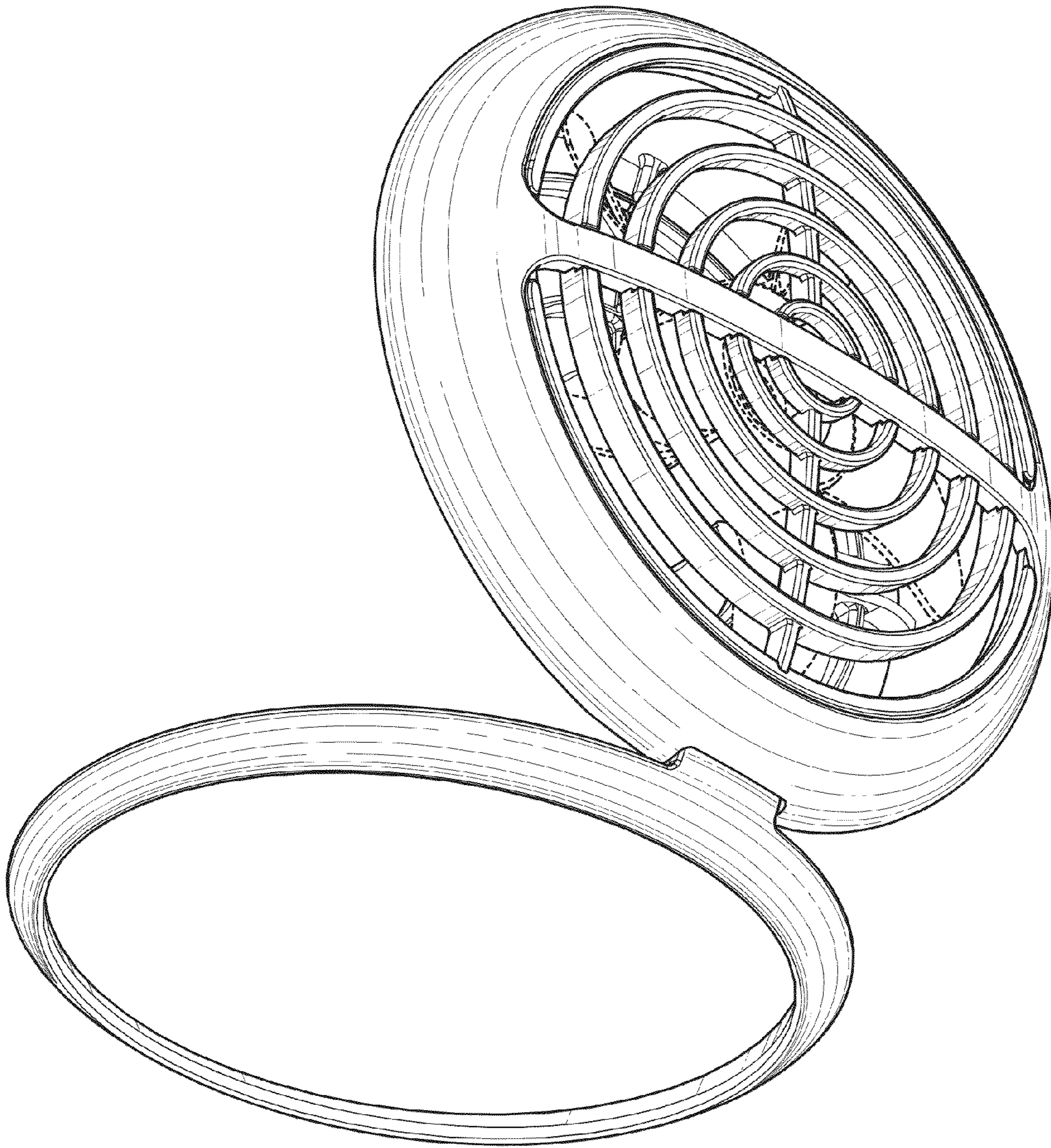


FIG. 10

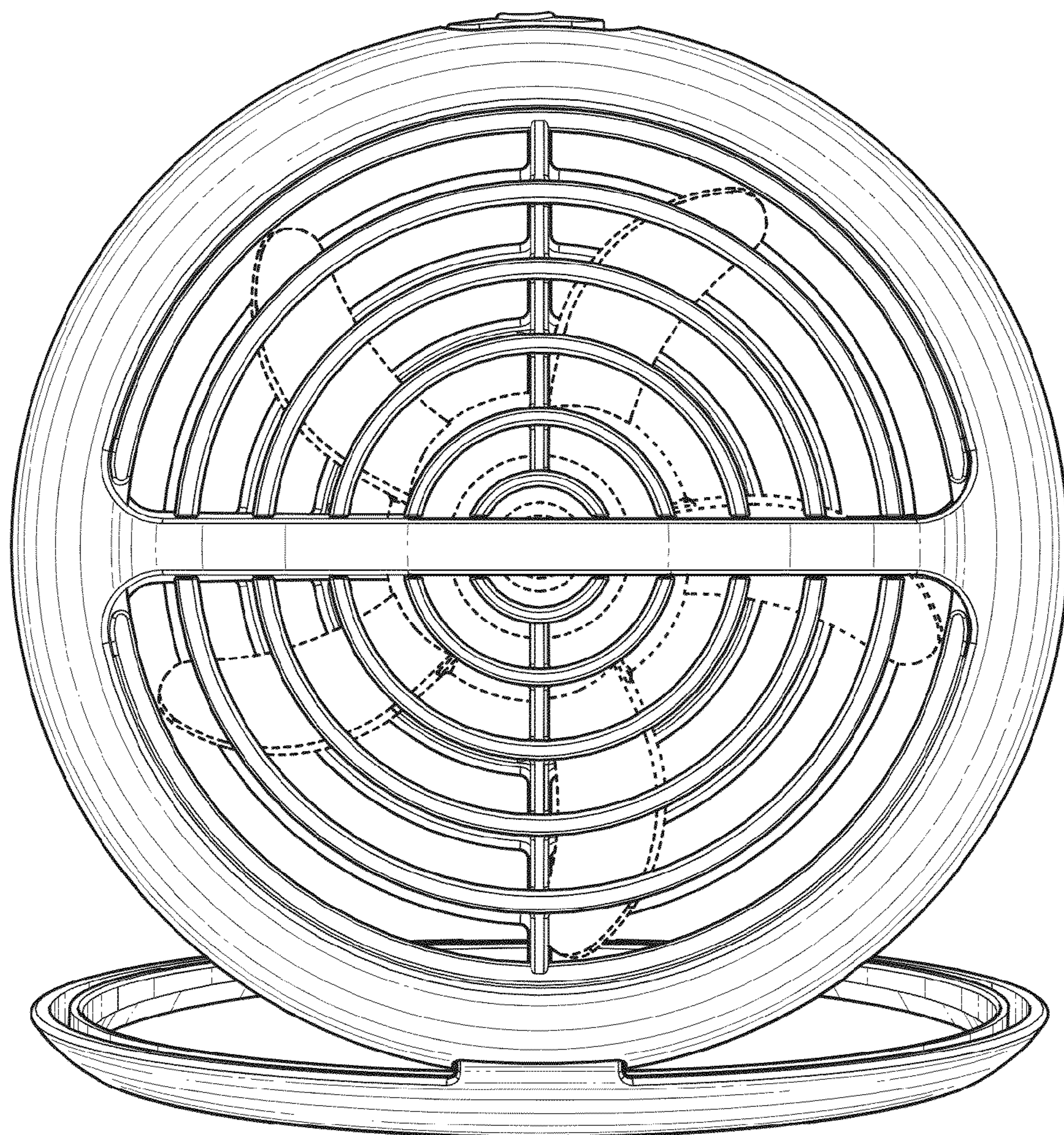


FIG. 11

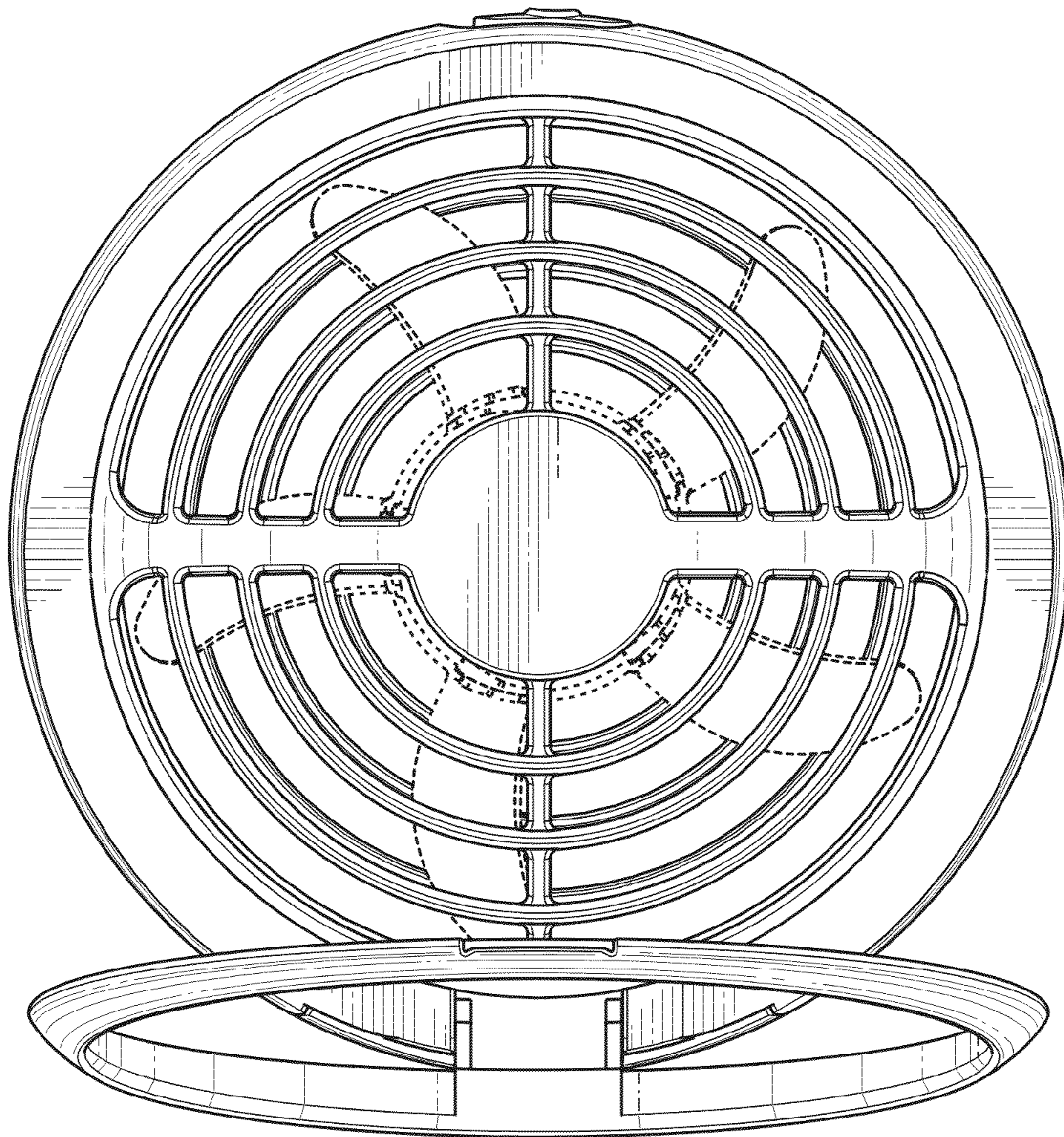


FIG. 12

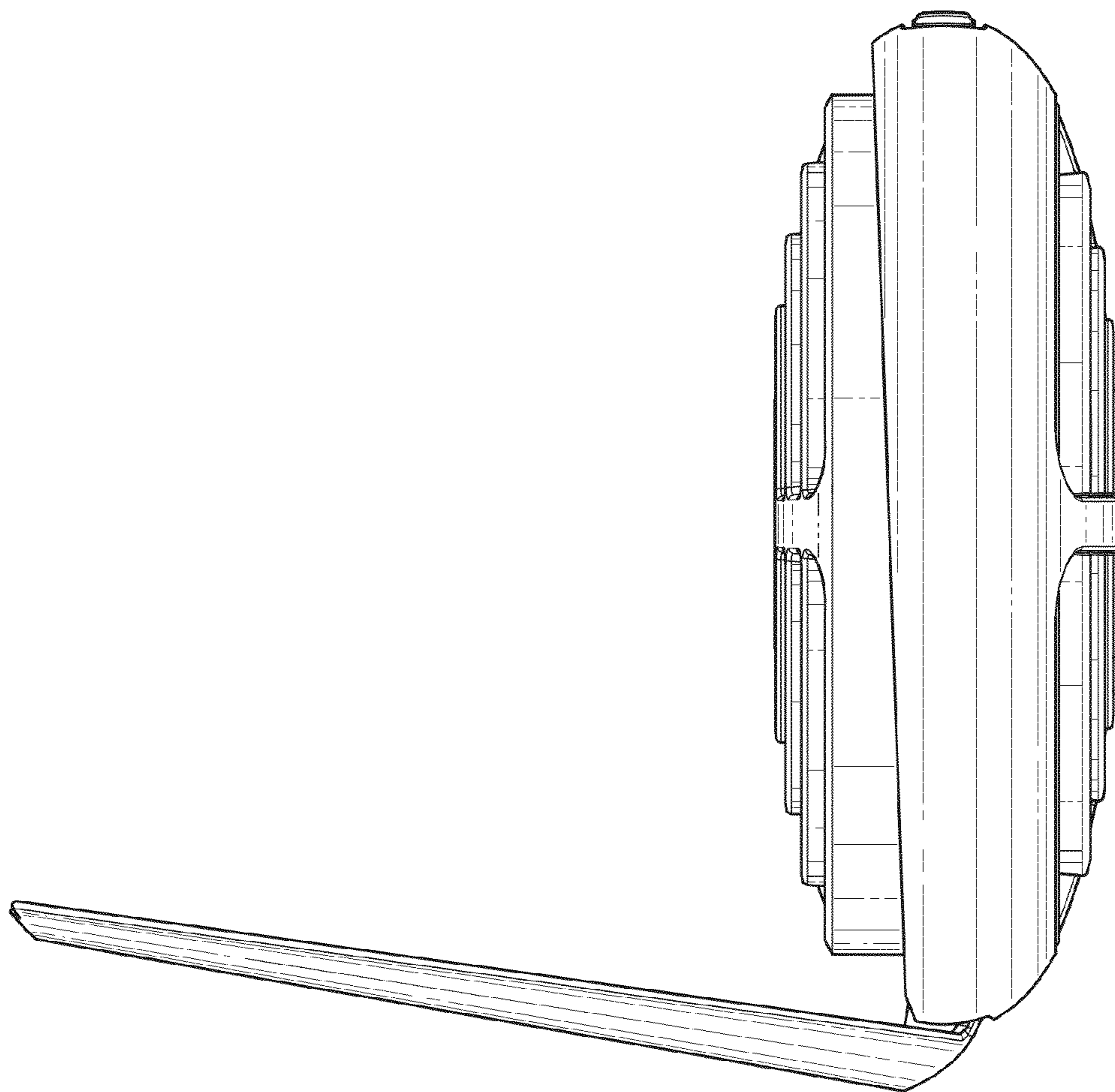


FIG. 13

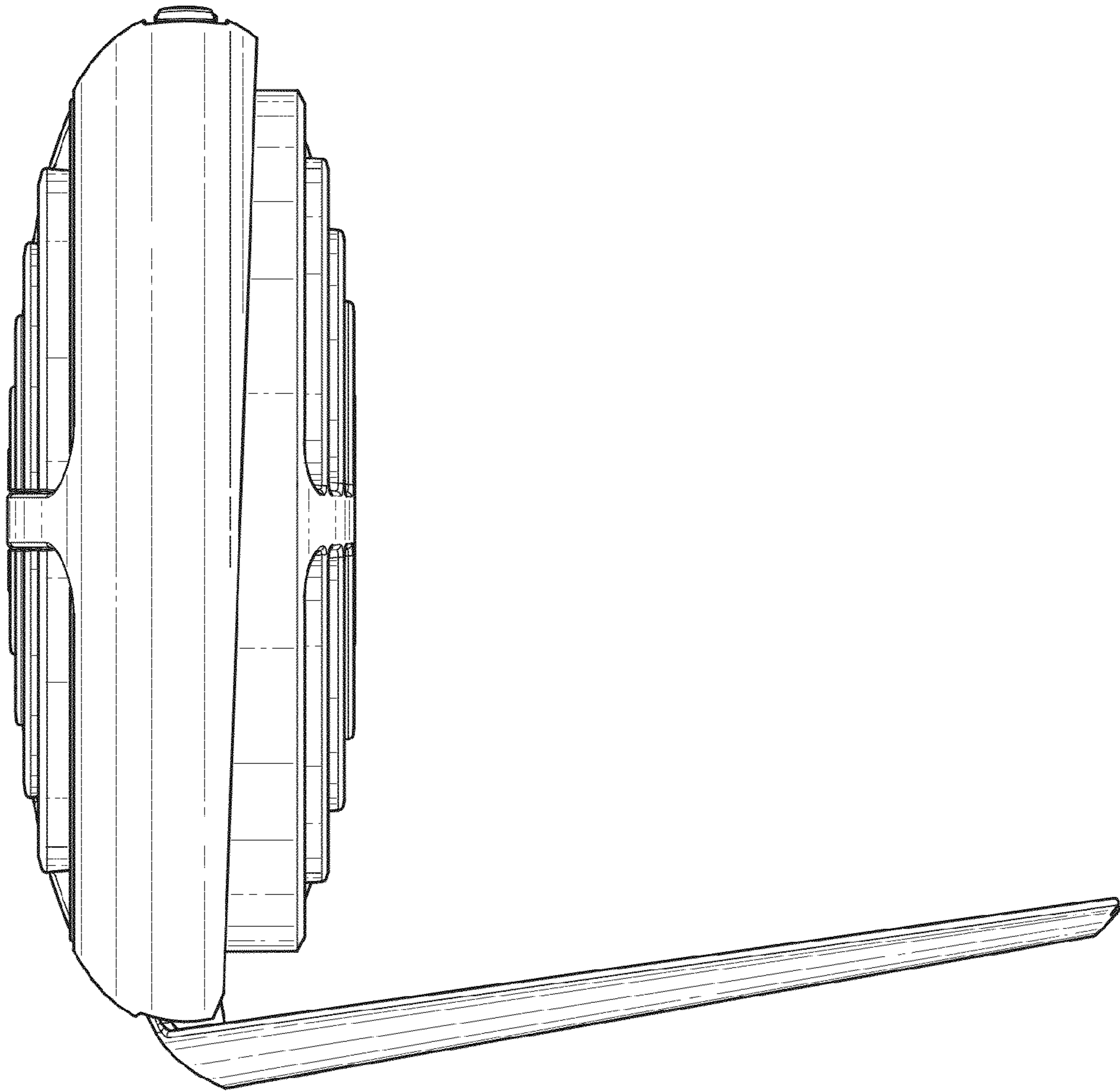


FIG. 14

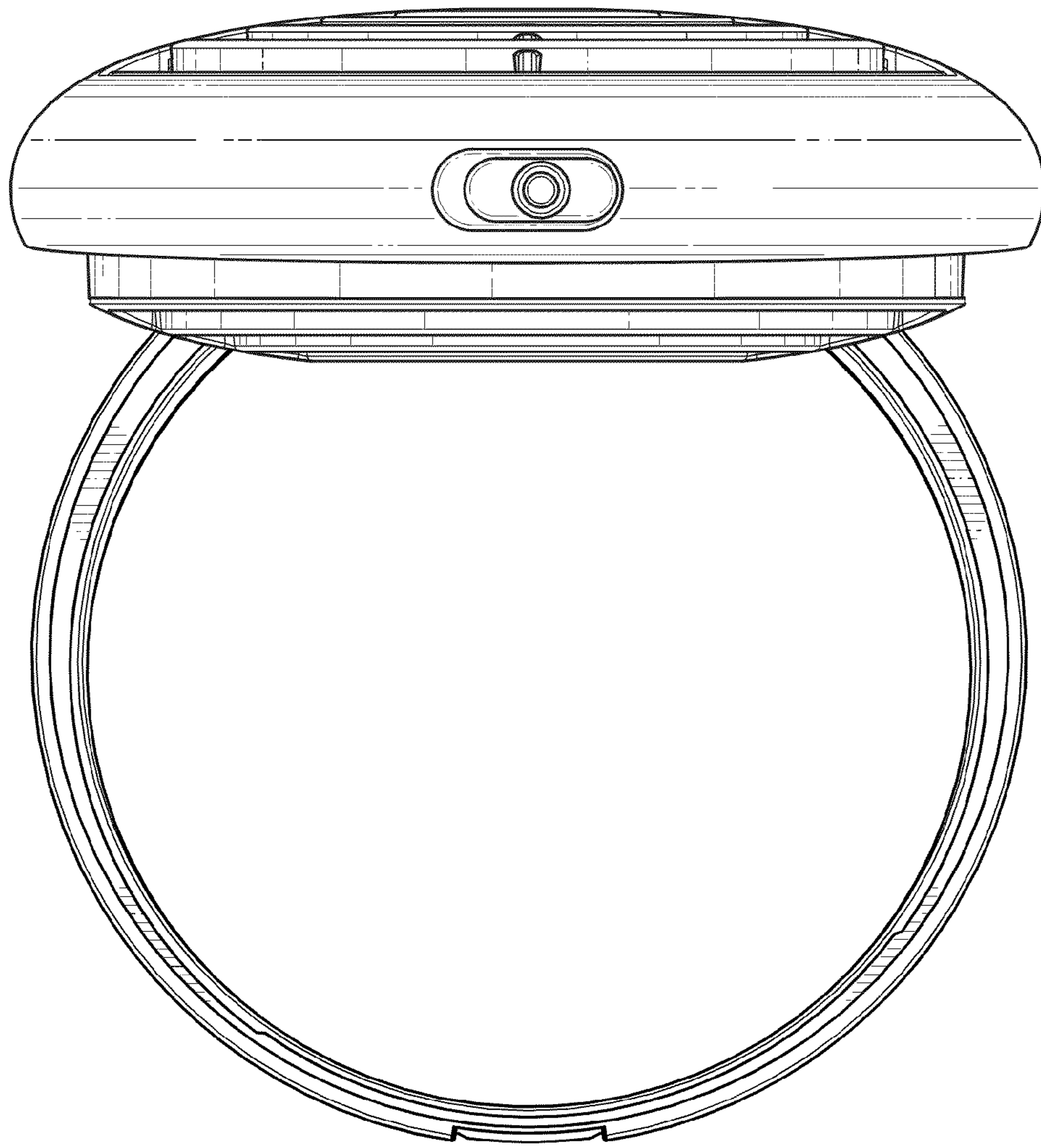


FIG. 15

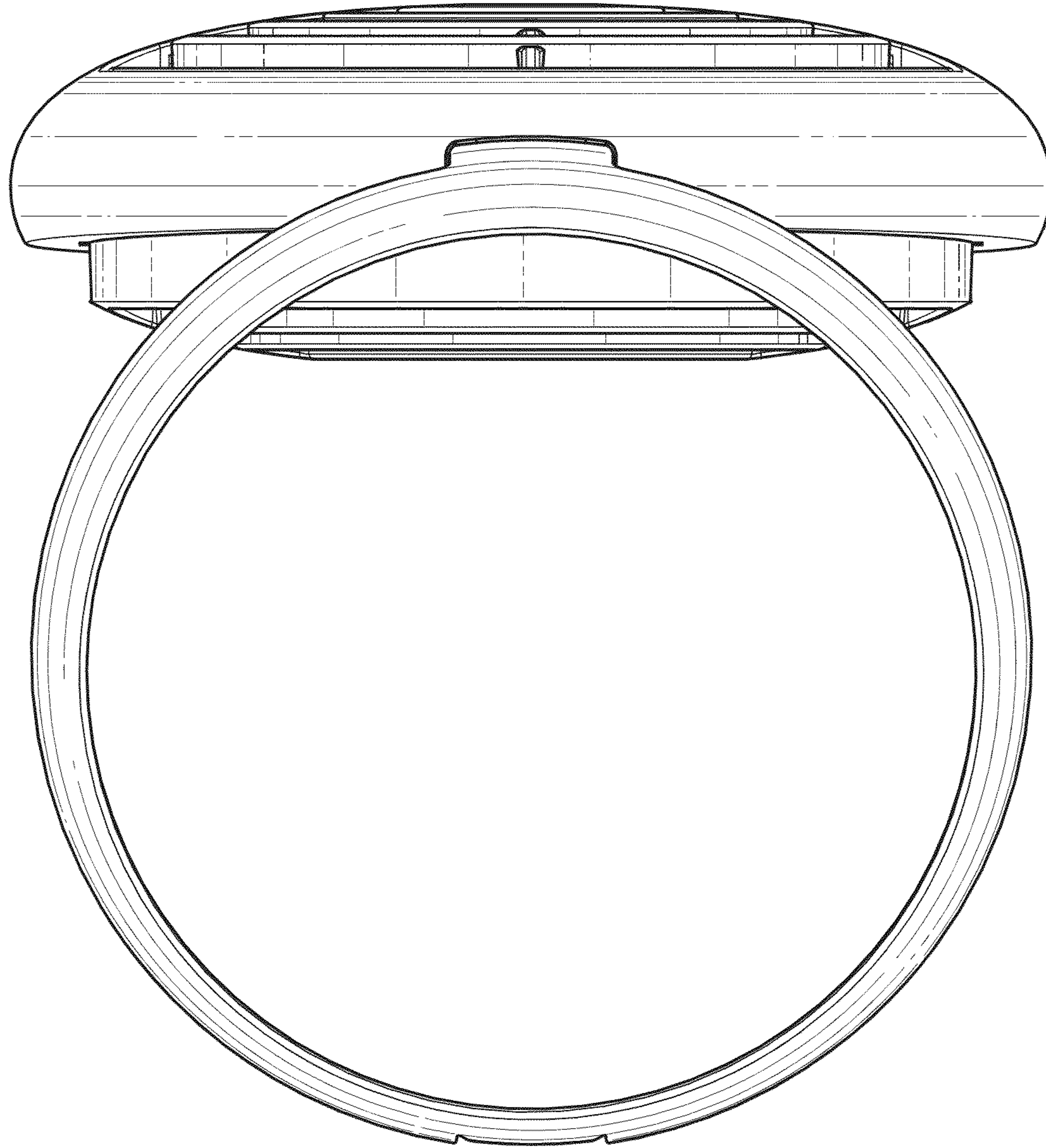


FIG. 16