

US00D721428S

(12) **United States Design Patent**
Donovan

(10) **Patent No.:** **US D721,428 S**
(45) **Date of Patent:** **** Jan. 20, 2015**

- (54) **CLIP**
- (71) Applicant: **Julius Samann Ltd.**, Hamilton (BM)
- (72) Inventor: **Robert St. Clair Donovan**, Adams, NY (US)
- (73) Assignee: **Julius Samann Ltd.**, Hamilton (BM)
- (**) Term: **14 Years**
- (21) Appl. No.: **29/487,939**
- (22) Filed: **Apr. 14, 2014**
- (51) **LOC (10) Cl.** **28-99**
- (52) **U.S. Cl.**
USPC **D23/368**
- (58) **Field of Classification Search**
USPC D23/355-369; D28/5, 6; 392/386, 390, 392/394, 395; 239/34, 44, 53, 55, 56, 326; D26/14, 17, 98, 9, 22, 24; D11/131.1; D7/509, 522, 524, 537; 261/DIG. 17, 261/DIG. 42, DIG. 65, DIG. 88, DIG. 89
See application file for complete search history.

(56) **References Cited**

U.S. PATENT DOCUMENTS

D262,138 S	*	12/1981	Bousgarbies et al.	D23/366
D382,050 S	*	8/1997	Hayes	D23/366
D385,025 S	*	10/1997	Ho	D23/367
D508,559 S	*	8/2005	Spiegel et al.	D23/366
D611,584 S	*	3/2010	Gruenbacher et al.	D23/366
D665,486 S	*	8/2012	Masuda et al.	D23/366
D673,666 S	*	1/2013	Gordon	D23/366
D684,248 S	*	6/2013	Gordon	D23/366

* cited by examiner

Primary Examiner — Sandra Snapp
(74) *Attorney, Agent, or Firm* — Oblon, Spivak, McClelland, Maier & Neustadt, L.L.P.

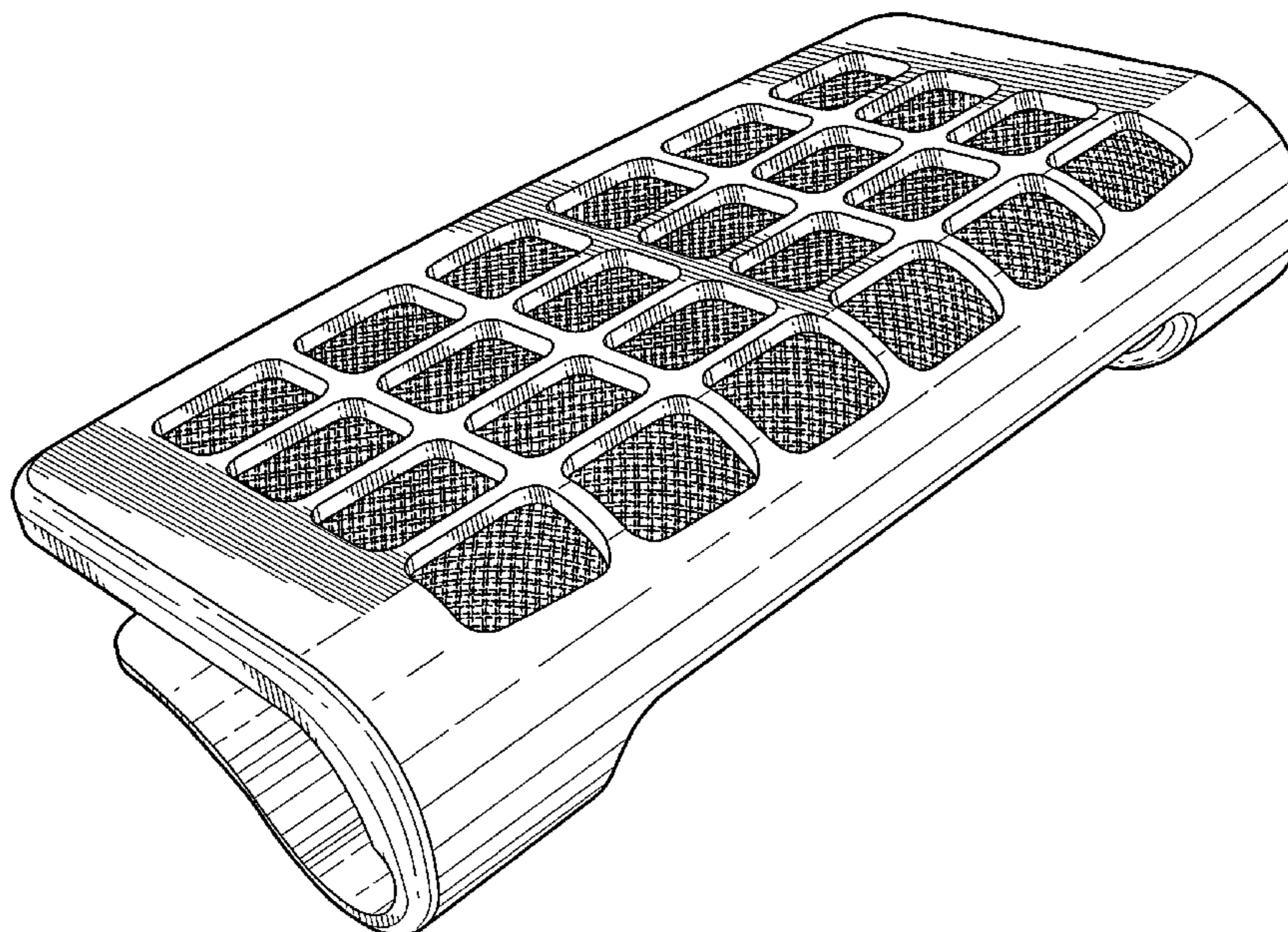
(57) **CLAIM**
The ornamental design for a clip, as shown and described.

DESCRIPTION

FIG. 1 is a front, top, and left side perspective view of a first embodiment of a clip;
 FIG. 2 is a rear, bottom, and right side perspective view thereof;
 FIG. 3 is a front elevational view thereof;
 FIG. 4 is a rear elevational view thereof;
 FIG. 5 is a top plan view thereof;
 FIG. 6 is a bottom plan view thereof;
 FIG. 7 is a right side elevational view thereof, the left side elevational view being a mirror image of the right side elevational view shown;
 FIG. 8 is a front, top, and left side perspective view of a second embodiment of a clip;
 FIG. 9 is a rear, bottom, and right side perspective view thereof;
 FIG. 10 is a front elevational view thereof;
 FIG. 11 is a rear elevational view thereof;
 FIG. 12 is a top plan view thereof;
 FIG. 13 is a bottom plan view thereof; and,
 FIG. 14 is a right side elevational view thereof, the left side elevational view being a mirror image of the right side elevational view shown.

The broken lines in the drawings depict environmental subject matter only and form no part of the claimed design. Additionally, the broken lines surrounding the opening extending through the clip, as seen in FIGS. 8-11 and 13 serve as unclaimed boundary lines that indicate that the portion of the clip within these boundaries, including the opening extending through the clip, is disclaimed.

1 Claim, 14 Drawing Sheets



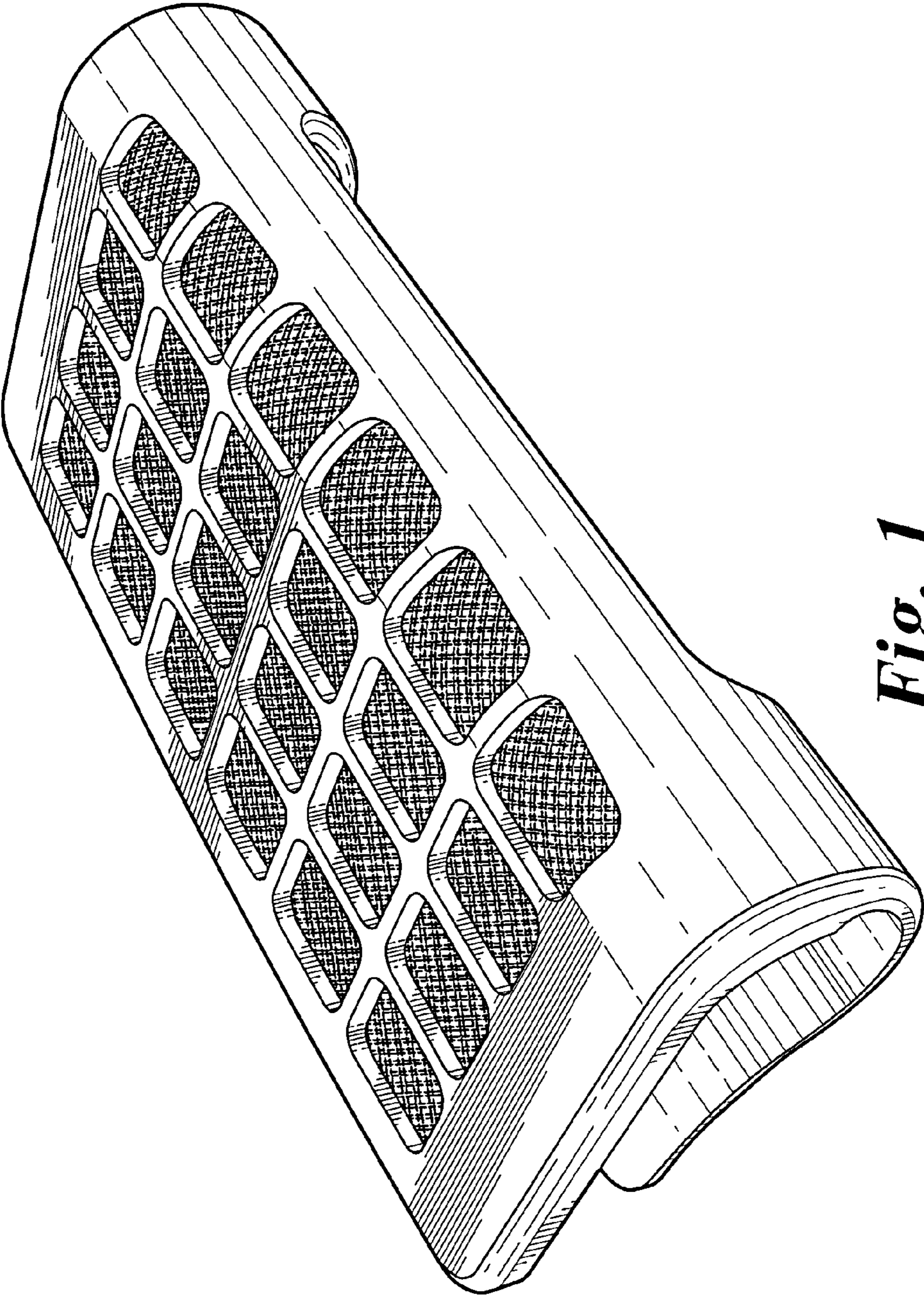


Fig. 1

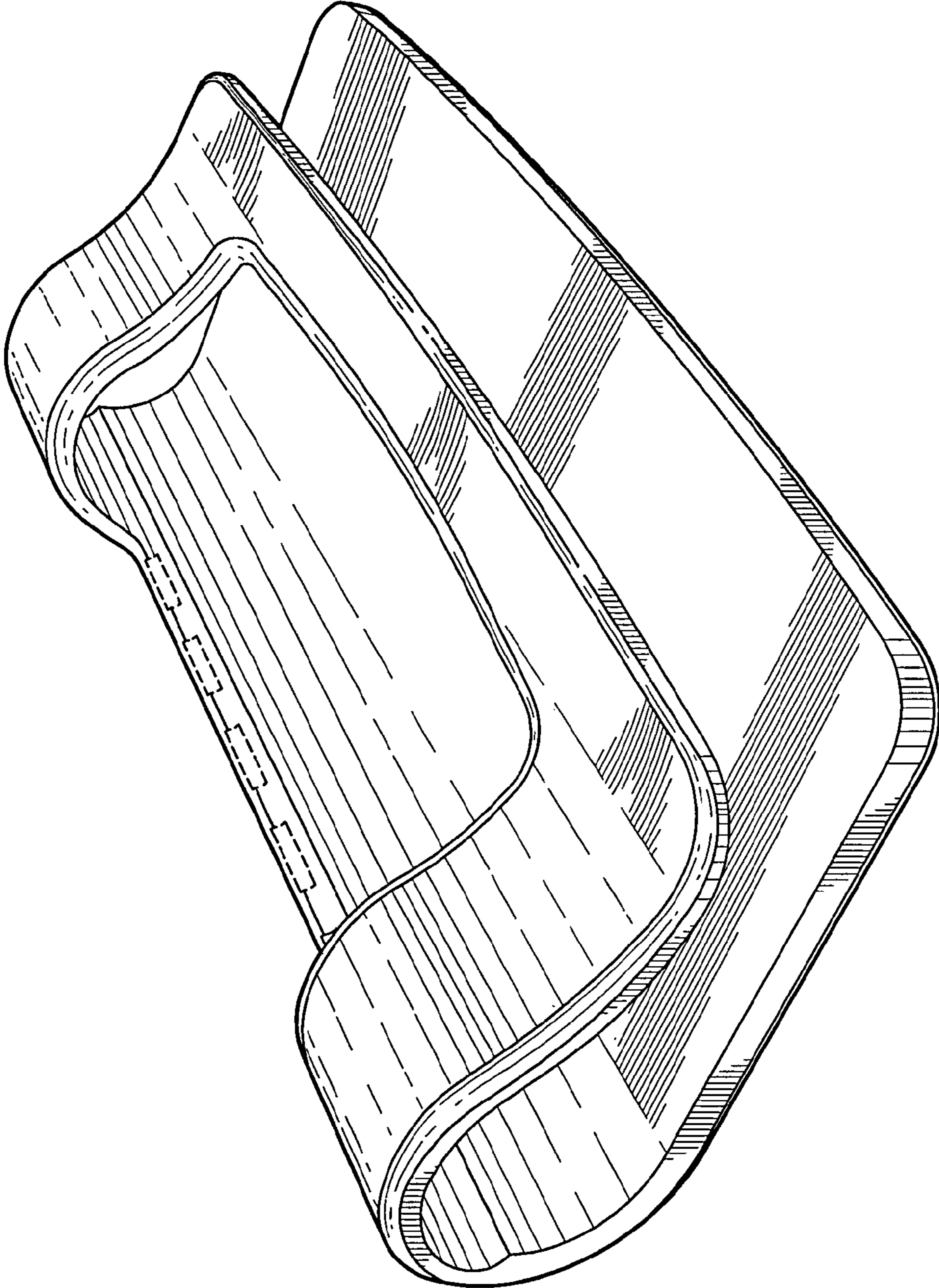


Fig. 2

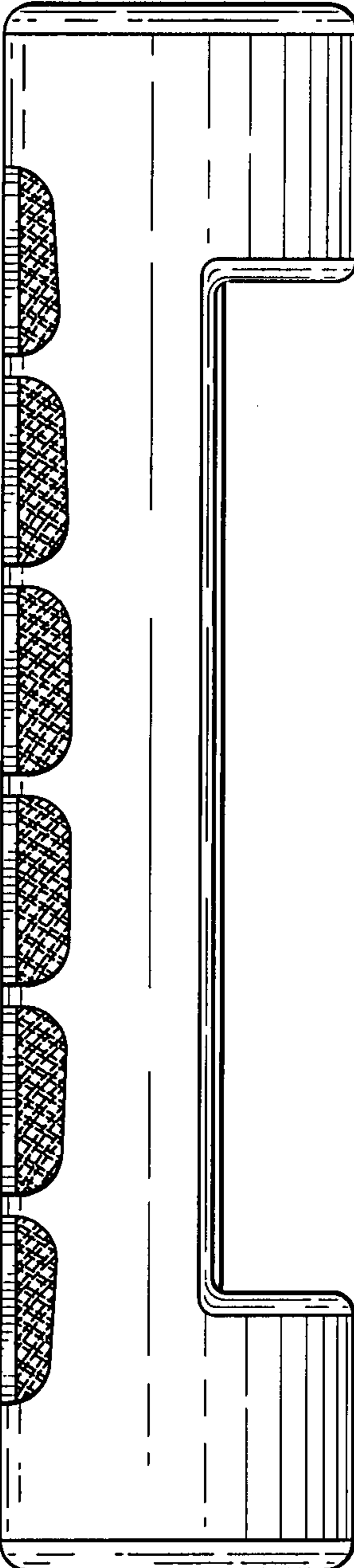


Fig. 3

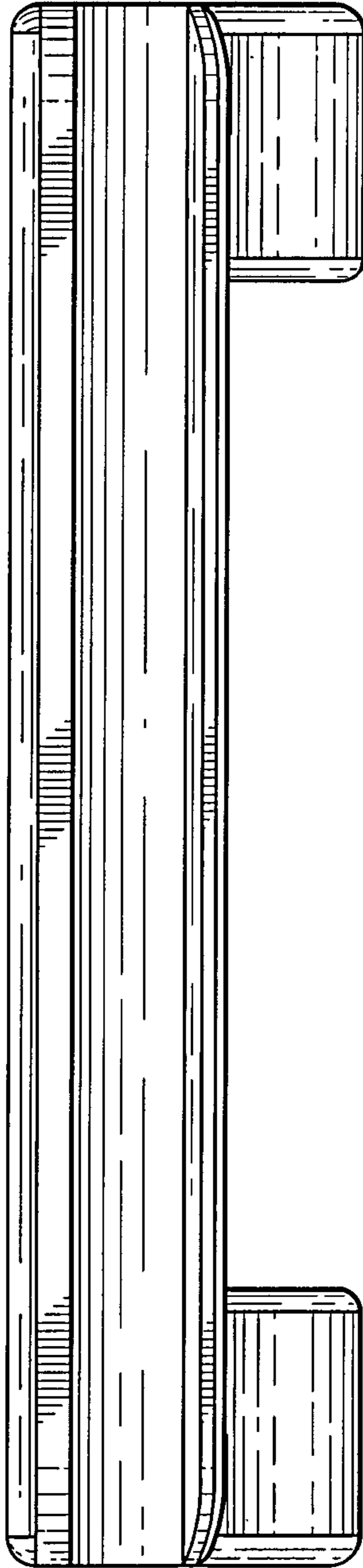


Fig. 4

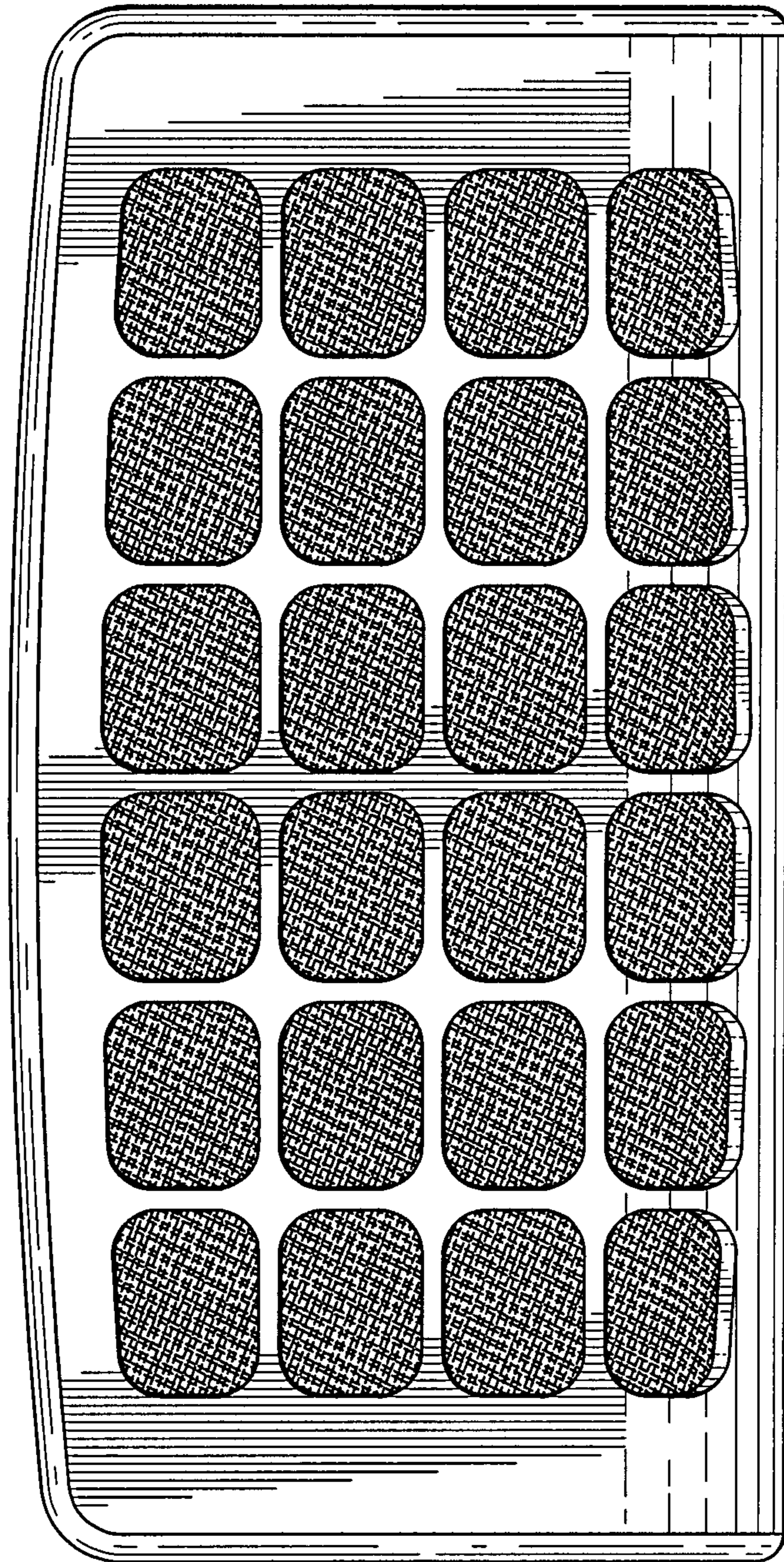


Fig. 5

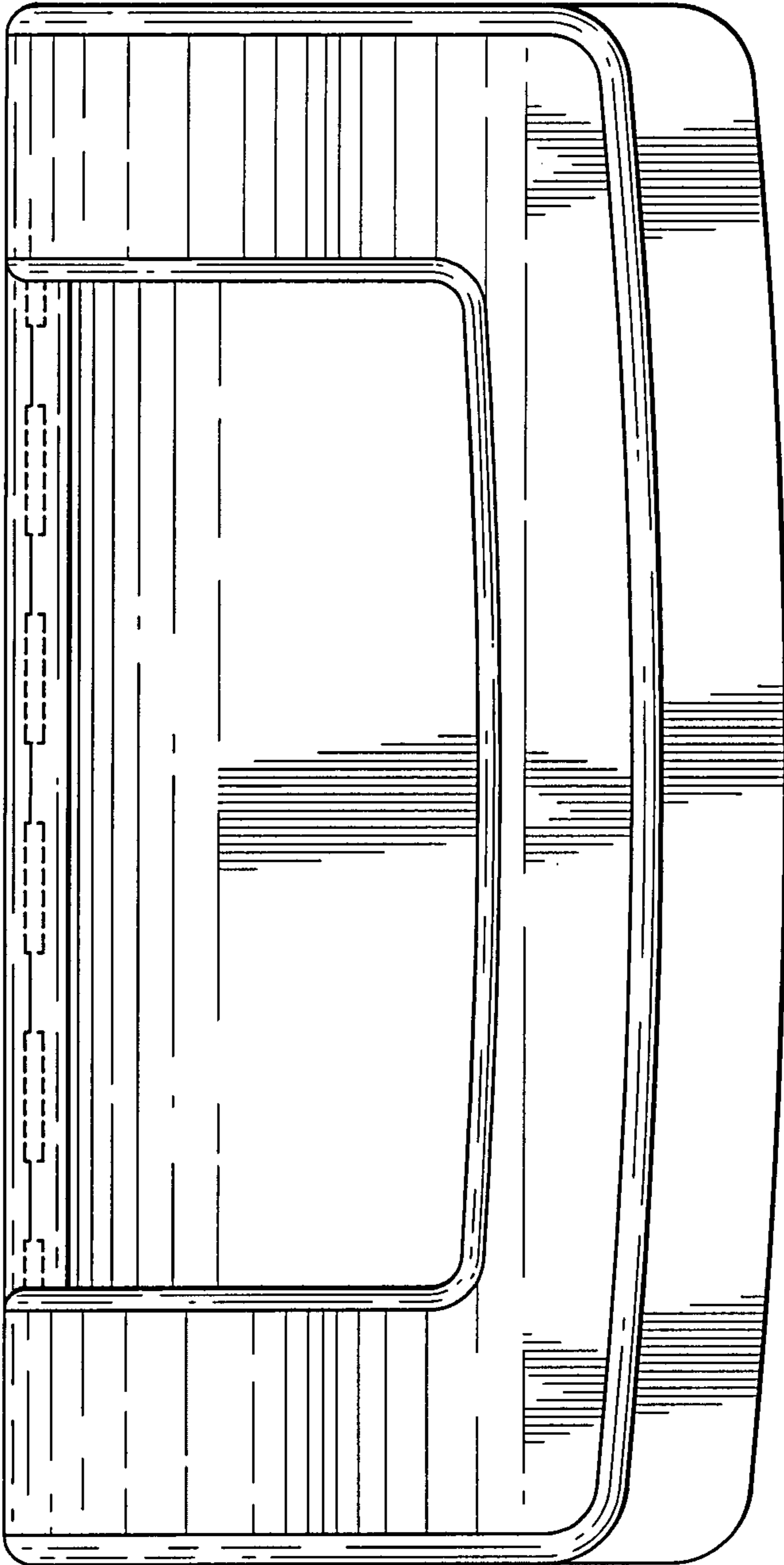


Fig. 6

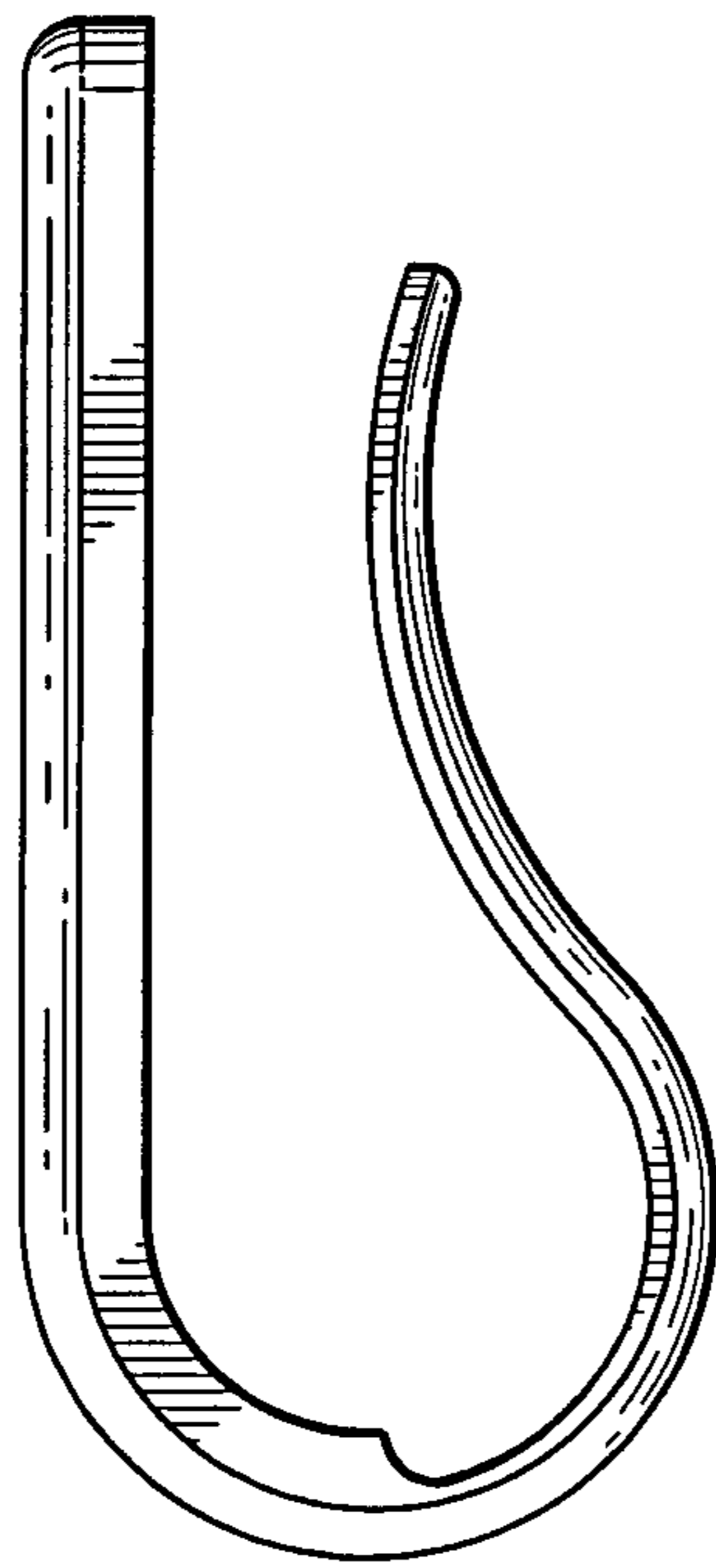


Fig. 7

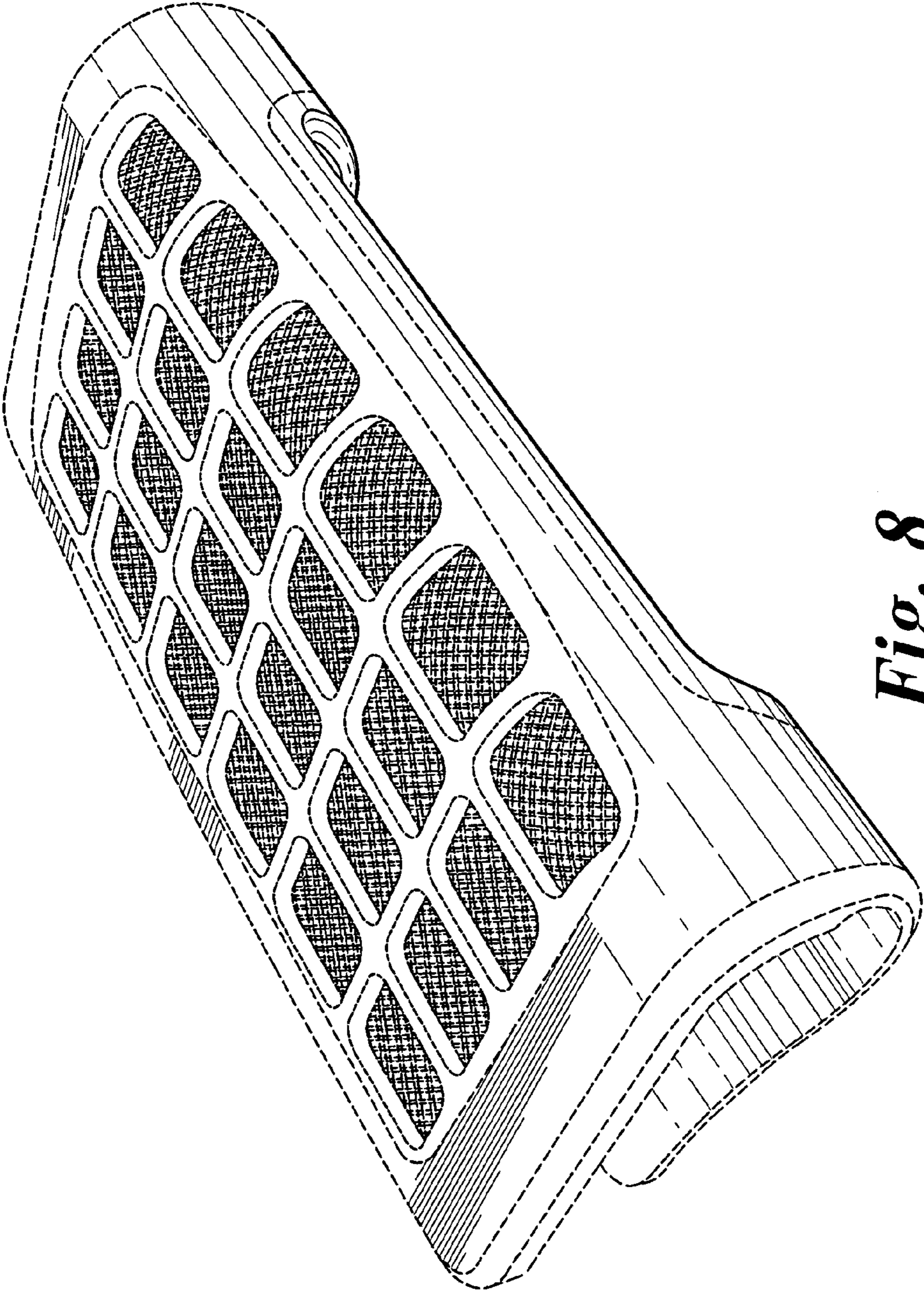


Fig. 8

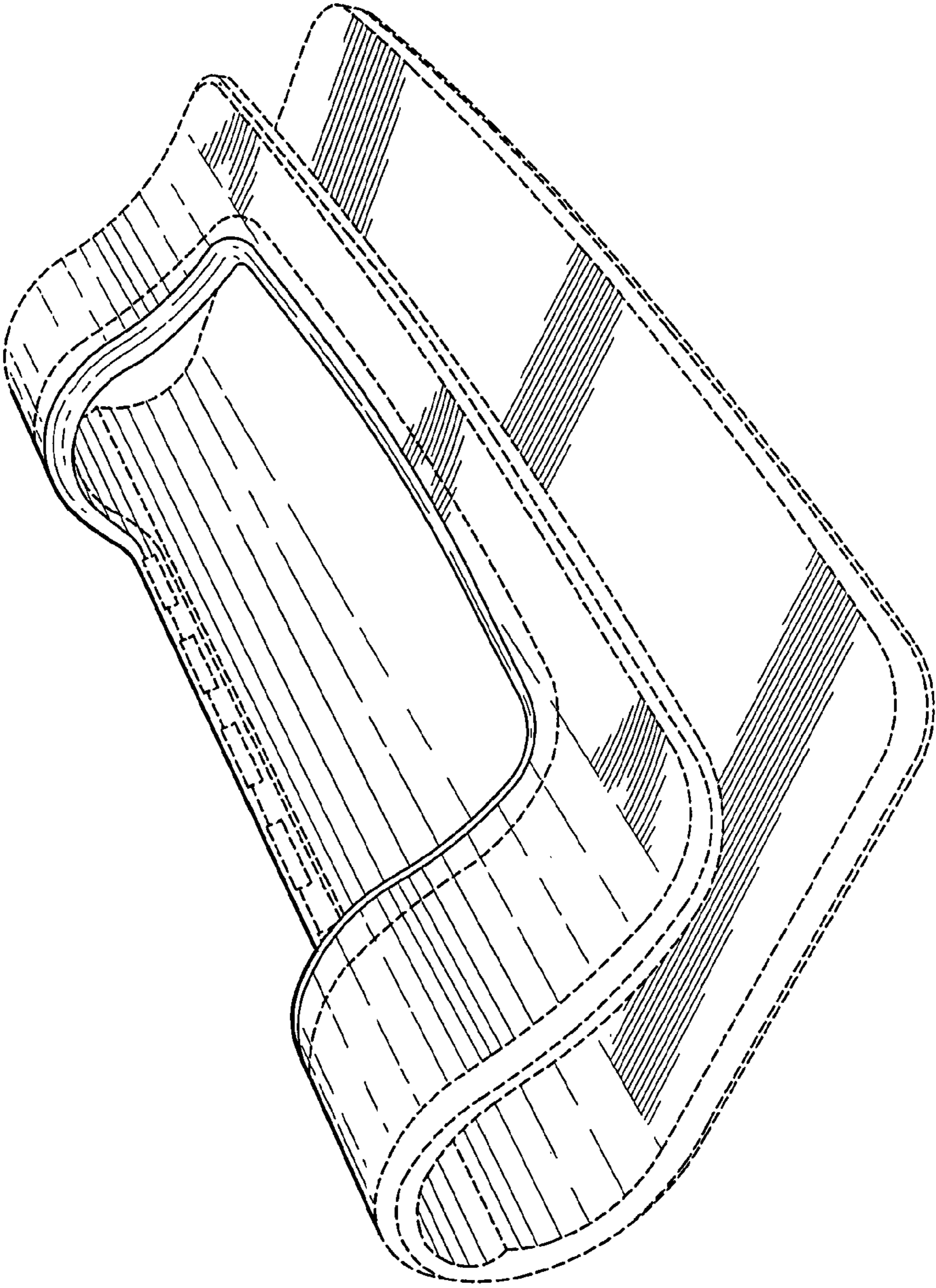


Fig. 9

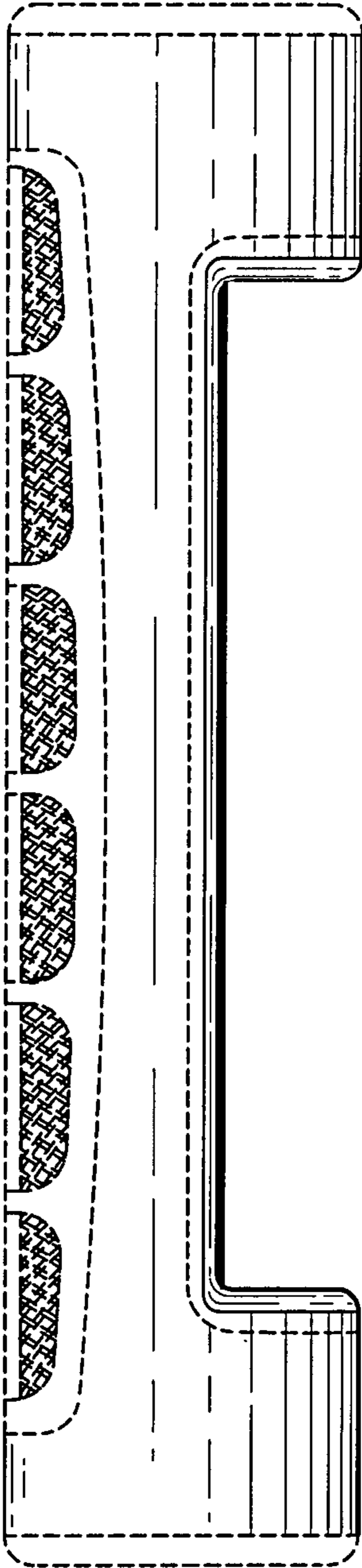


Fig. 10

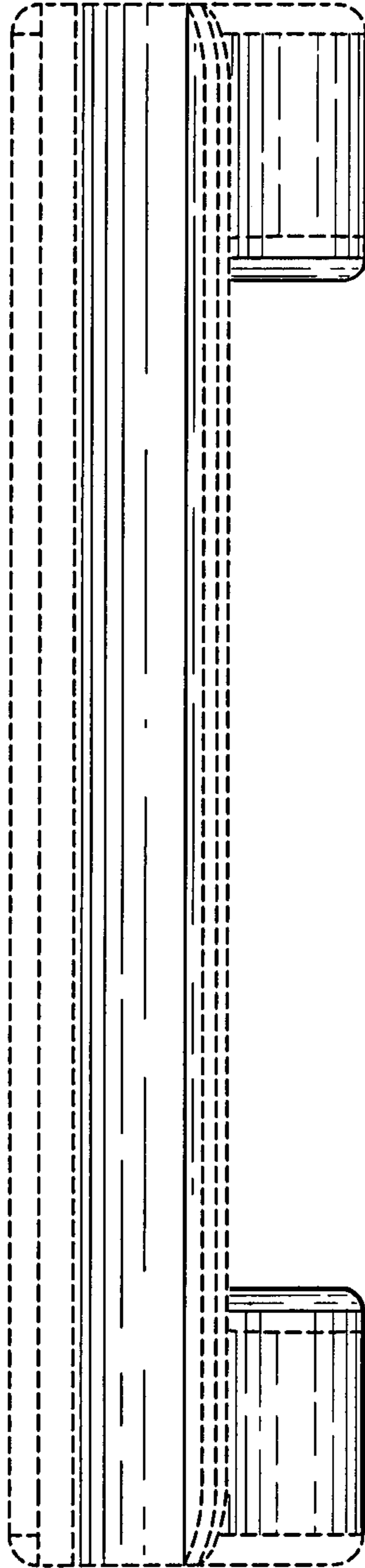


Fig. 11

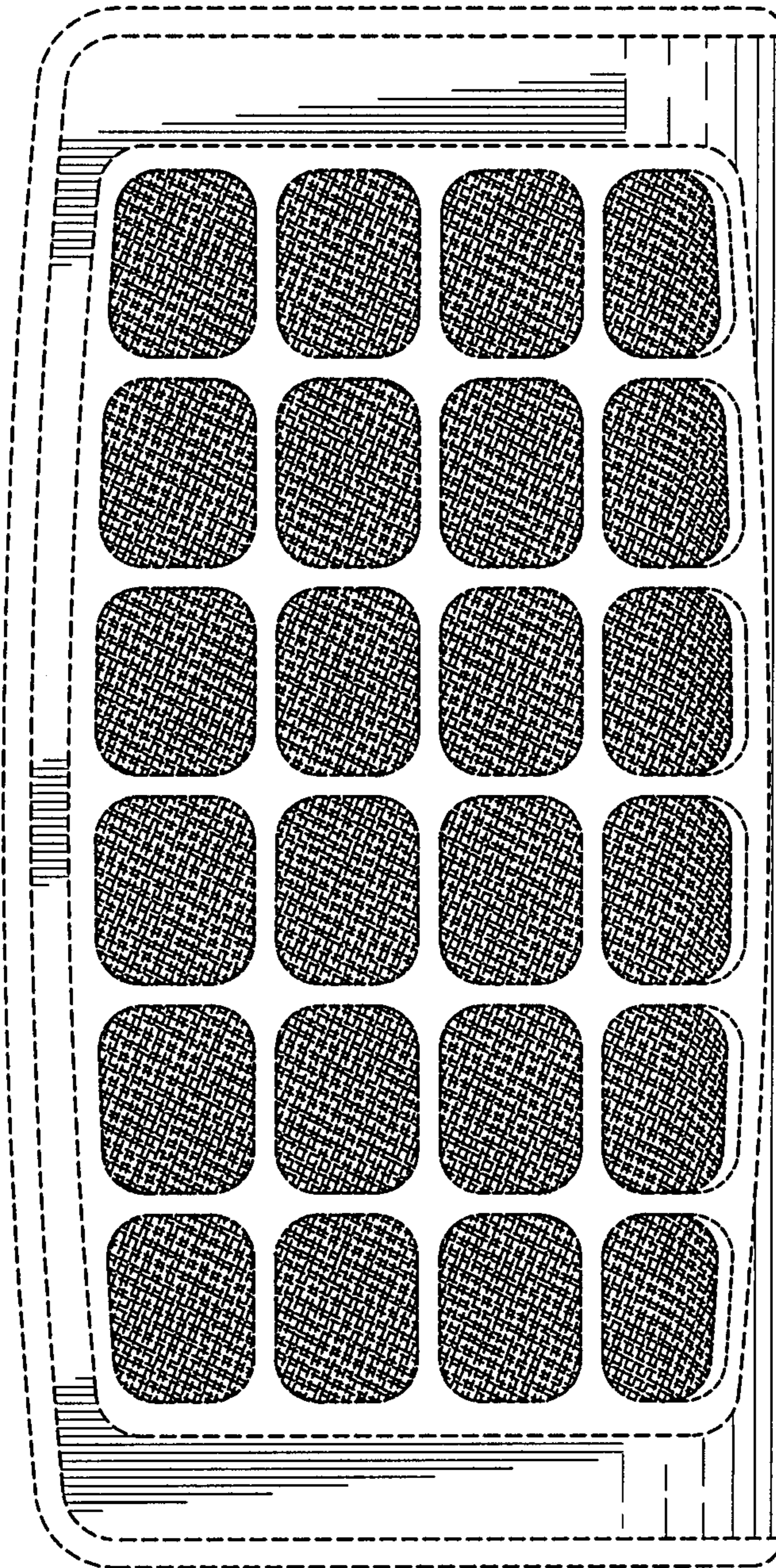


Fig. 12

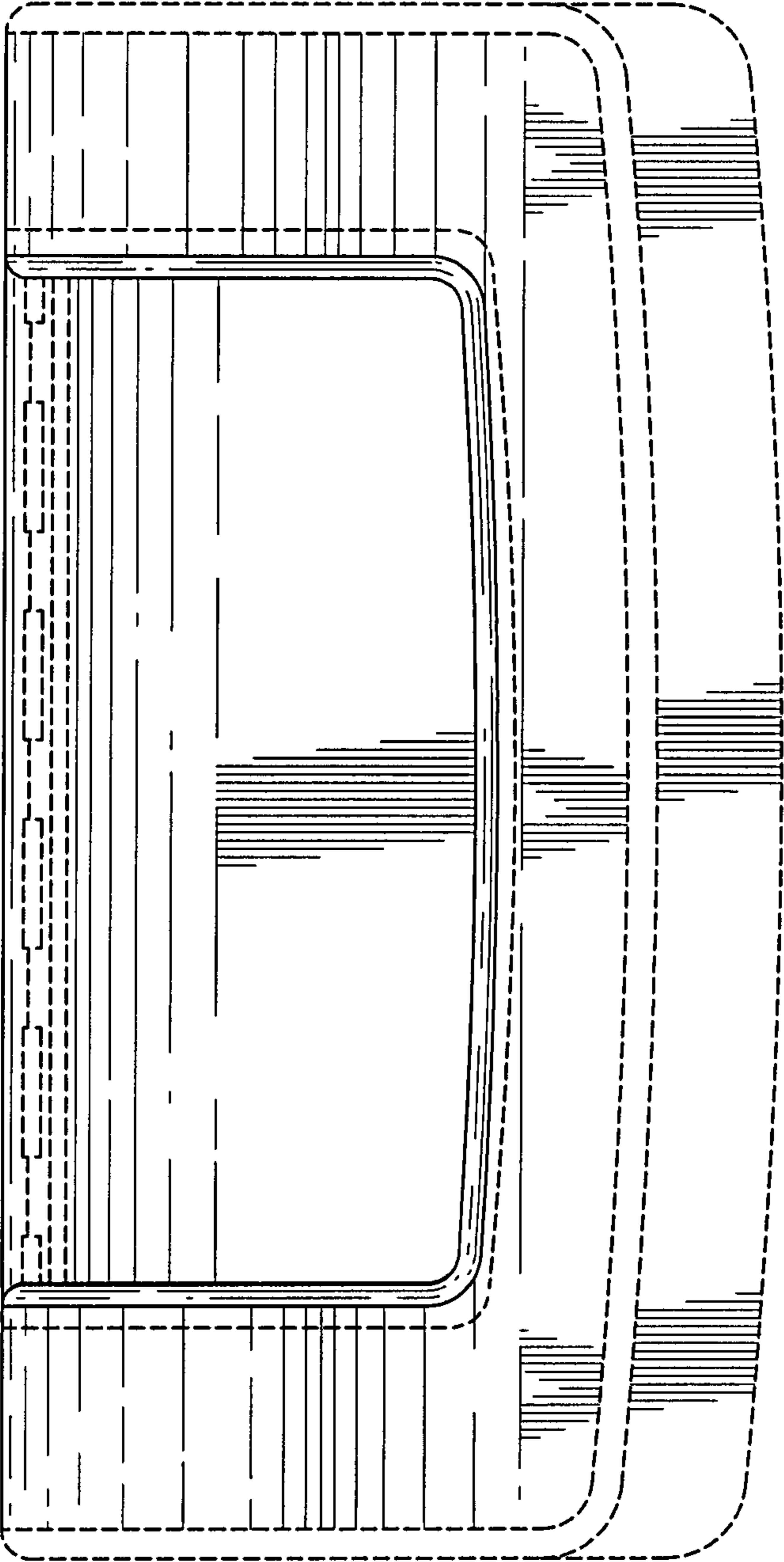


Fig. 13

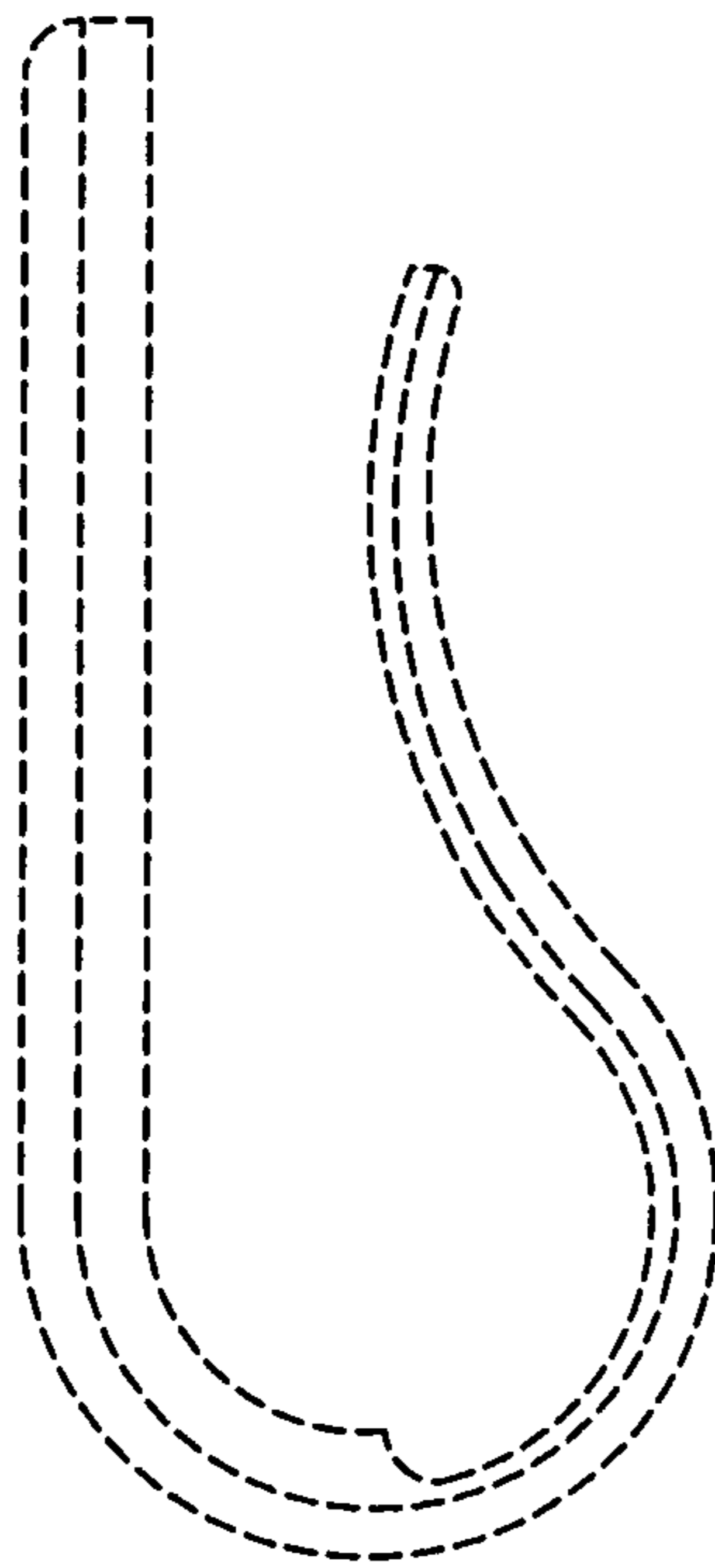


Fig. 14