



US00D721425S

(12) **United States Design Patent**
Orimland

(10) **Patent No.:** **US D721,425 S**

(45) **Date of Patent:** **** Jan. 20, 2015**

(54) **FLEXIBLE TUBING**

(71) Applicant: **Yitzchak Orimland**, Brooklyn, NY
(US)

(72) Inventor: **Yitzchak Orimland**, Brooklyn, NY
(US)

(73) Assignee: **E-Value LLC**, Brooklyn, NY (US)

(**) Term: **14 Years**

(21) Appl. No.: **29/444,200**

(22) Filed: **Jan. 28, 2013**

(51) **LOC (10) Cl.** **23-01**

(52) **U.S. Cl.**
USPC **D23/266**

(58) **Field of Classification Search**
USPC D23/213, 223, 224, 226, 229, 230, 259,
D23/263, 266; D24/129; D13/155; 138/103,
138/105, 109, 118, 118.1, 121, 122, 126,
138/128, 140, 154, 155, 157, 158, 167, 173,
138/177; 285/58, 83, 124.1, 124.5, 179,
285/179.1

See application file for complete search history.

(56) **References Cited**

U.S. PATENT DOCUMENTS

144,163 A * 10/1873 Taylor 285/260
5,120,491 A * 6/1992 Brown et al. 376/245
D479,741 S * 9/2003 Chiu D23/266

D488,544 S * 4/2004 Akaltan D23/266
D518,871 S * 4/2006 Gillette et al. D23/209
D630,298 S * 1/2011 Henry D23/213
D709,187 S * 7/2014 Li D24/129
2004/0031531 A1* 2/2004 Chiu 138/109
2012/0205908 A1* 8/2012 Fischer et al. 285/331
2012/0299296 A1* 11/2012 Lombardi, III 285/389

OTHER PUBLICATIONS

Medela, Inc., Pump in Style Advanced, Instruction Booklet, p. 11,
Paragraph 5 Photo, copyright 2011, Medela, Inc.

* cited by examiner

Primary Examiner — Eric Goodman

Assistant Examiner — Daniel J Domino

(74) *Attorney, Agent, or Firm* — Seth Natter; Natter & Natter

(57) **CLAIM**

The ornamental design for flexible tubing, as shown and
described.

DESCRIPTION

FIG. 1 is an isometric view of flexible tubing showing my new
design;

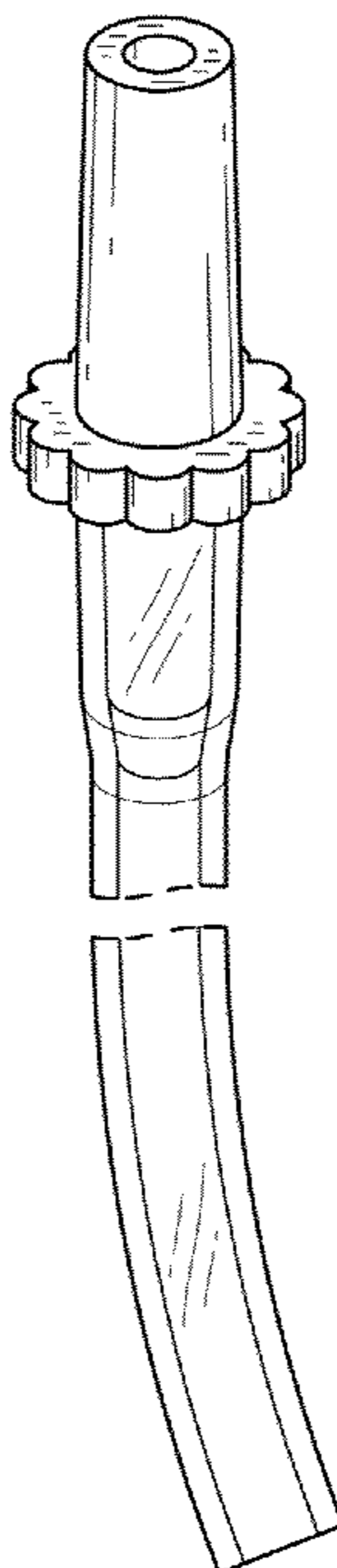
FIG. 2 is a front elevational view thereof, the rear and side
views being mirror images thereof;

FIG. 3 is a top view thereof; and,

FIG. 4 is a sectional view thereof, taken along the line 4-4 of
FIG. 2.

The hose is shown with a symbolic break in its length. The
appearance of any portion of the hose between the break lines
forms no part of the claimed design.

1 Claim, 1 Drawing Sheet



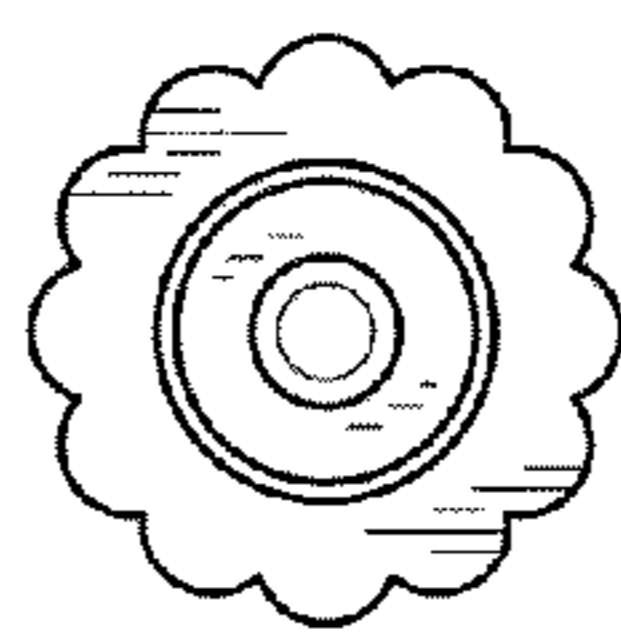


Fig. 3

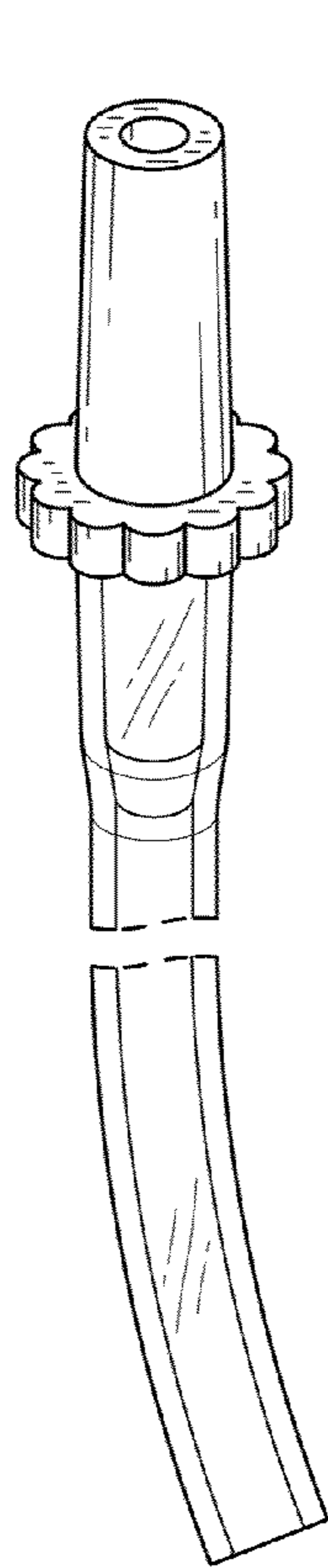


Fig. 1

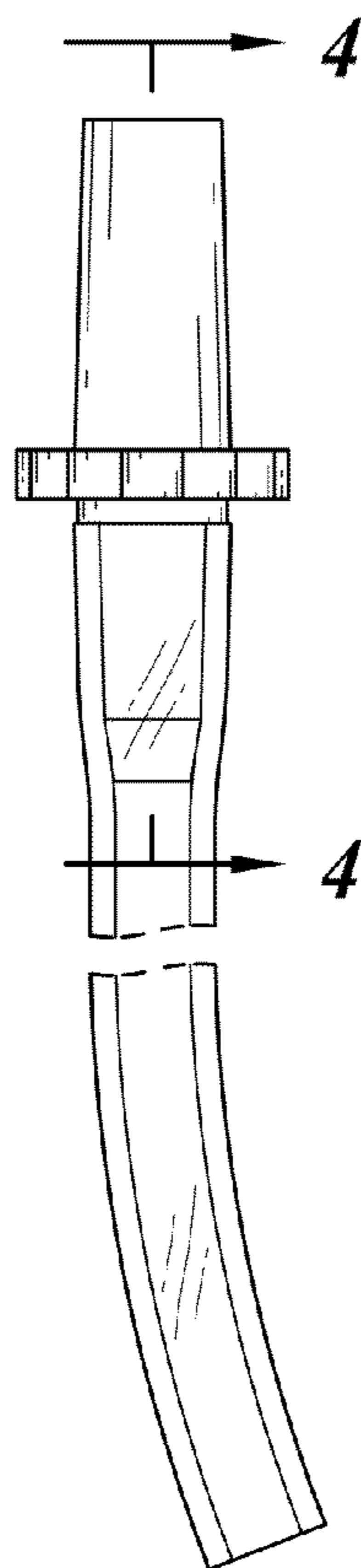


Fig. 2

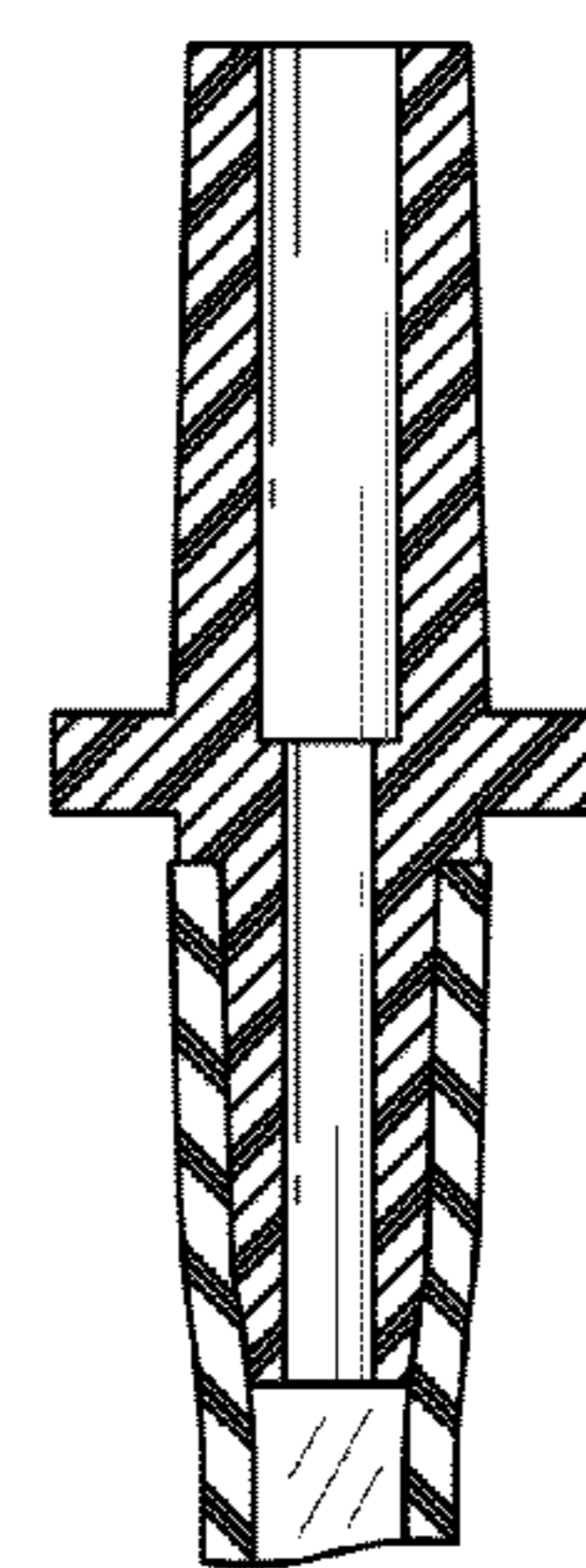


Fig. 4