



US00D721423S

(12) **United States Design Patent**
Jacques et al.

(10) **Patent No.:** **US D721,423 S**

(45) **Date of Patent:** **** Jan. 20, 2015**

(54) **LOCKABLE CAP**

(71) Applicants: **Adam Donald Jacques**, Ada, MI (US);
Andrew James Zieger, Grand Rapids,
MI (US)

(72) Inventors: **Adam Donald Jacques**, Ada, MI (US);
Andrew James Zieger, Grand Rapids,
MI (US)

(**) Term: **14 Years**

(21) Appl. No.: **29/451,742**

(22) Filed: **Apr. 8, 2013**

(51) **LOC (10) Cl.** **23-01**

(52) **U.S. Cl.**
USPC **D23/260**

(58) **Field of Classification Search**
USPC D23/259, 260, 261, 262, 263, 264, 265;
220/203.28, 203.07, 212, 288, 304,
220/368; D9/452, 453; D12/197; D15/5;
141/338; 138/82, 89.3, 90; 4/286, 287,
4/288, 289, 290, 291
See application file for complete search history.

(56) **References Cited**

U.S. PATENT DOCUMENTS

4,416,391	A *	11/1983	Sarrazin	220/304
5,183,173	A *	2/1993	Heckman	220/203.07
D353,357	S *	12/1994	Weinberg et al.	D12/197
D363,767	S *	10/1995	Swaim	D23/260
D375,929	S *	11/1996	Lujack et al.	D12/197
D397,076	S *	8/1998	Seibert et al.	D12/197
D400,838	S *	11/1998	Stahel	D12/197
D402,248	S *	12/1998	Triebold	D12/197
D422,255	S *	4/2000	Gonzales	D12/197
D453,011	S *	1/2002	Canady	D12/197
D459,284	S *	6/2002	Canady	D12/197
D503,667	S *	4/2005	Keefer et al.	D12/197
7,264,027	B2 *	9/2007	Rosenbaum	141/338
D566,640	S *	4/2008	Holz et al.	D12/197

D585,348	S *	1/2009	Yan et al.	D12/197
7,624,889	B2 *	12/2009	Tharp et al.	220/288
D649,099	S *	11/2011	Nakamura et al.	D12/197

(Continued)

OTHER PUBLICATIONS

Locking non-vented Fuel Cap, Fuel Caps, Depco.com, Searched
Aug. 28, 2014, <http://www.depco.com/CASE-AG-FUEL-CAP-CASE.item>.*

(Continued)

Primary Examiner — Eric Goodman

Assistant Examiner — Steven Czyz

(74) *Attorney, Agent, or Firm* — Dickinson Wright PLLC

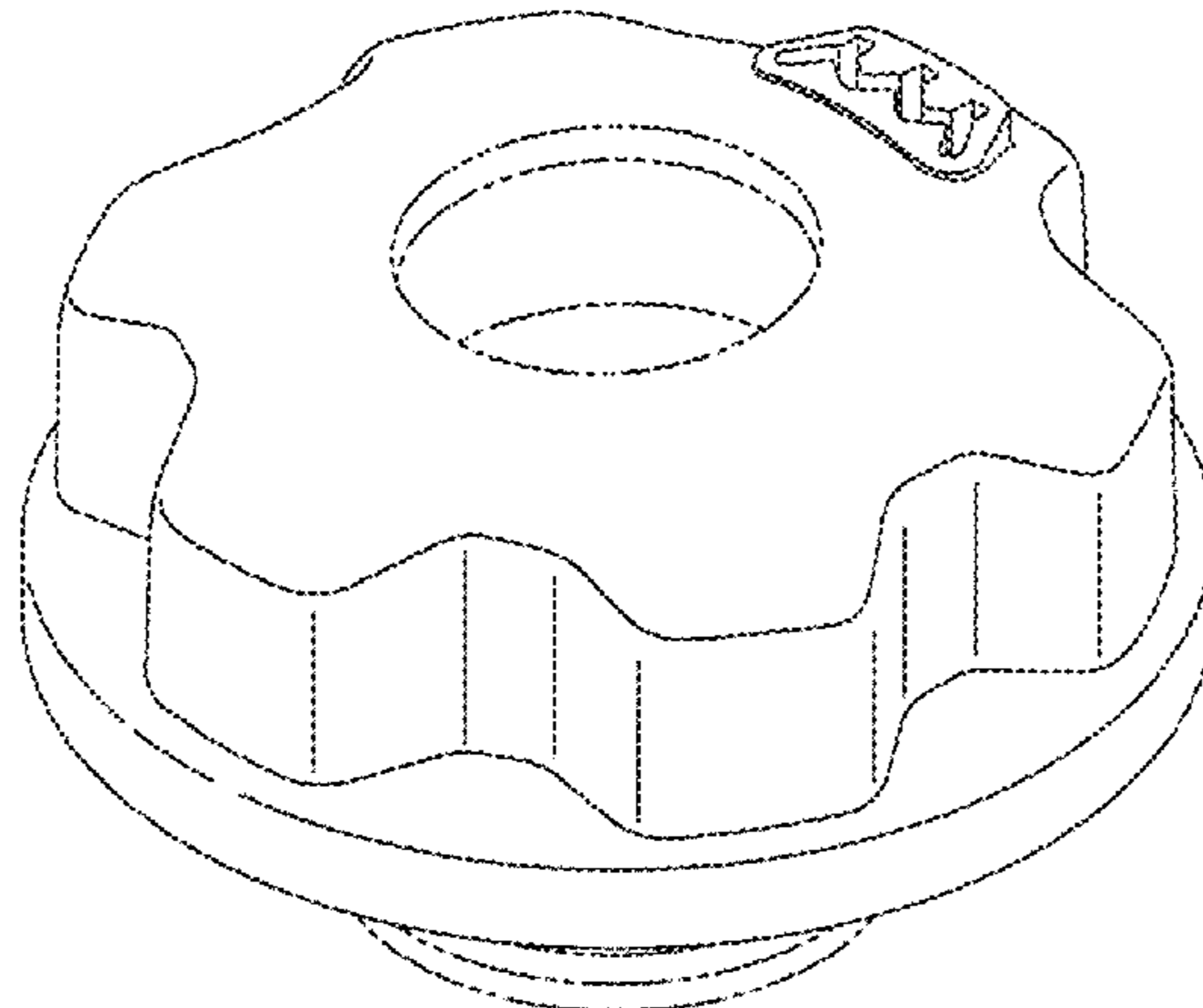
(57) **CLAIM**

The ornamental design for the lockable cap, as shown and
described.

DESCRIPTION

FIG. 1 is a top perspective view of the lockable cap with portions of the center hole and the lower threaded portion being shown in phantom lines;
 FIG. 2 is a first side view thereof;
 FIG. 3 is a second side view thereof;
 FIG. 4 is a third side view thereof;
 FIG. 5 is top plan view thereof;
 FIG. 6 is a bottom plan view thereof with attachment features being shown in phantom lines;
 FIG. 7 is a top perspective view of the lockable cap with portions of the center hole, key hole, and the lower threaded portion being shown in phantom lines;
 FIG. 8 is a first side view of the lockable cap in FIG. 7;
 FIG. 9 is a second side view of the lockable cap in FIG. 7;
 FIG. 10 is a third side view of the lockable cap in FIG. 7;
 FIG. 11 is top plan view of the lockable cap in FIG. 7; and,
 FIG. 12 is a bottom plan view of the lockable cap in FIG. 7 with attachment features being shown in phantom lines.
 The broken line showing is included for the purpose of illustrating portions of the article and forms no part of the claimed design.

1 Claim, 6 Drawing Sheets



(56)

References Cited

U.S. PATENT DOCUMENTS

8,074,334 B2 * 12/2011 Tharp et al. 29/428
D655,310 S * 3/2012 Tiefenthaler et al. D15/5
8,434,634 B2 * 5/2013 Bork et al. 220/212
D690,201 S * 9/2013 Klebeck D9/453
2004/0065376 A1 * 4/2004 Kristofferson et al. 138/89
2006/0163250 A1 * 7/2006 Colavita 220/203.28

OTHER PUBLICATIONS

Gas Caps, Fuel Systems, 7ent.com, Searched Aug. 28, 2014, http://www.7ent.com/products/locking-fuel-cap-concealed-key-vented-sie0320.html?gclid=CNXn2euetMACFShp7AodJEcAnw.*

* cited by examiner

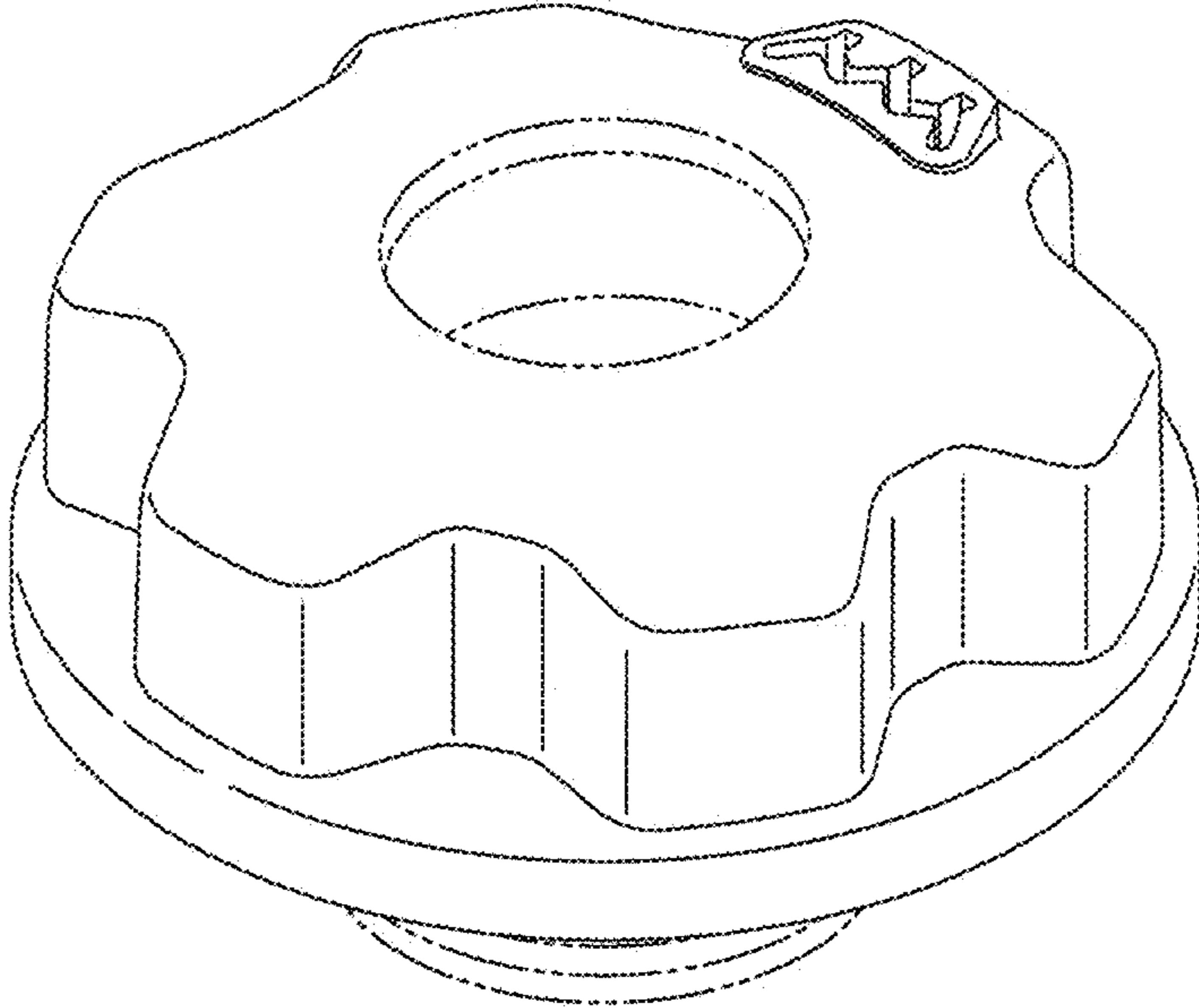


Fig. 1

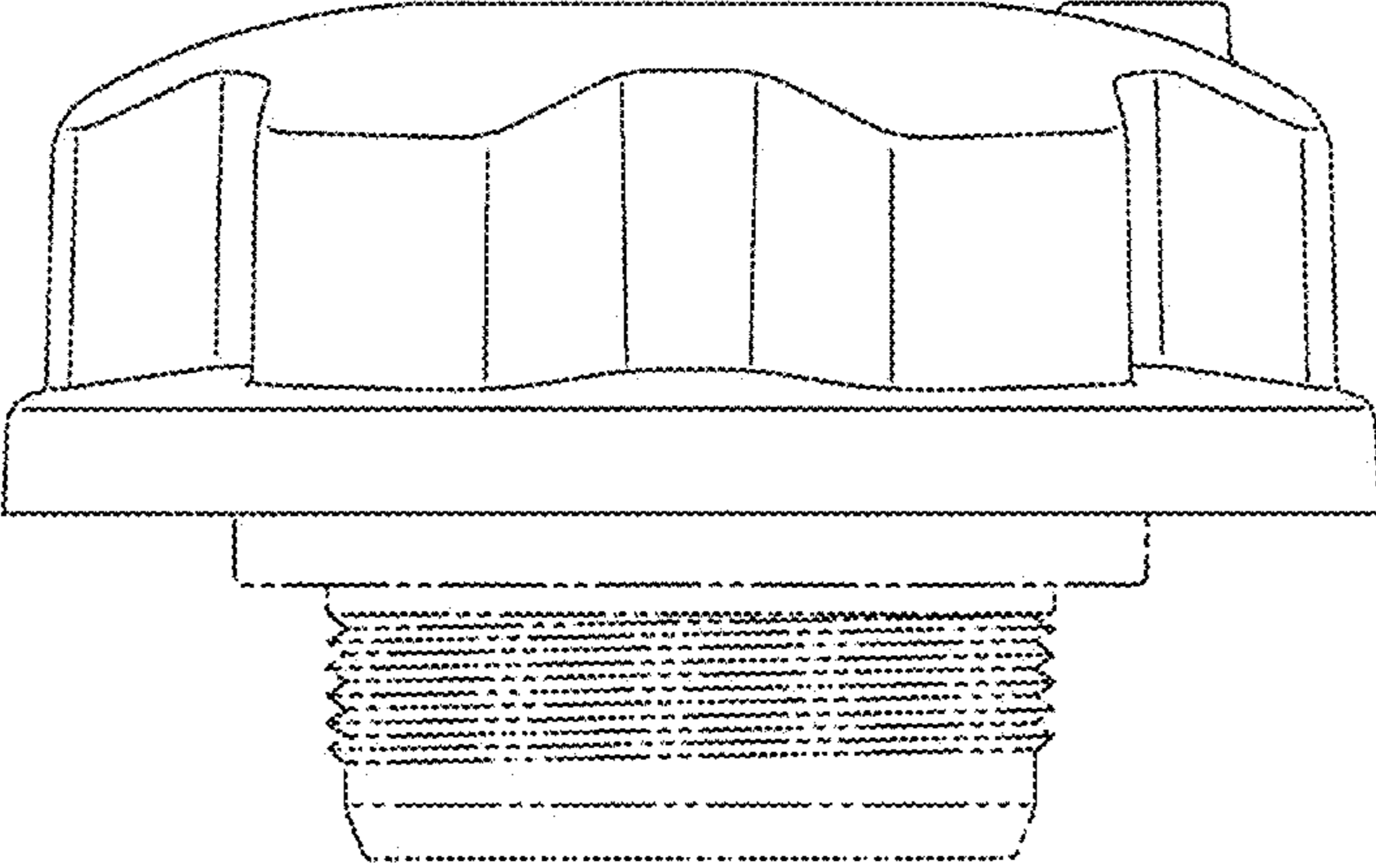


Fig. 2

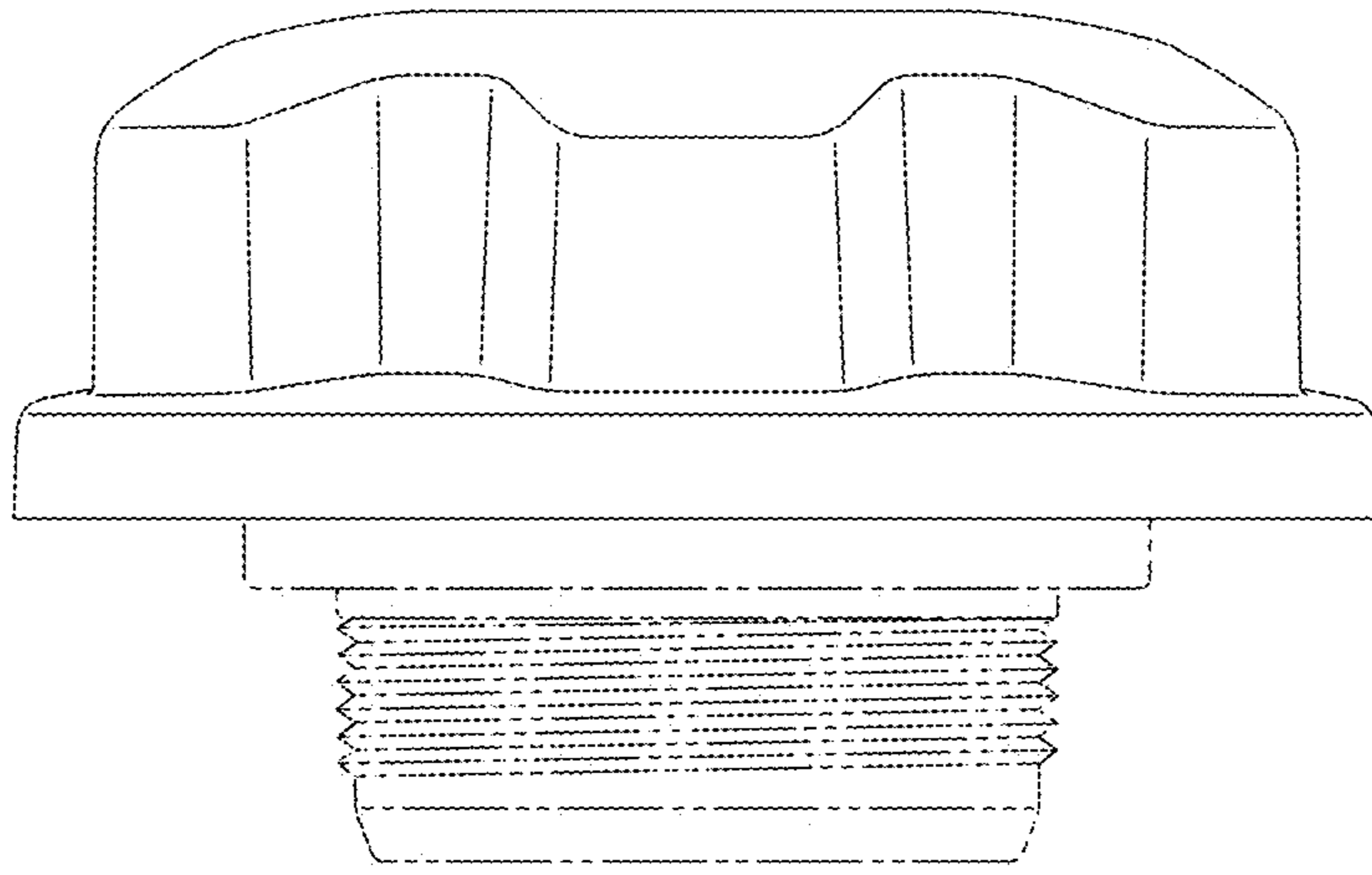


Fig. 3

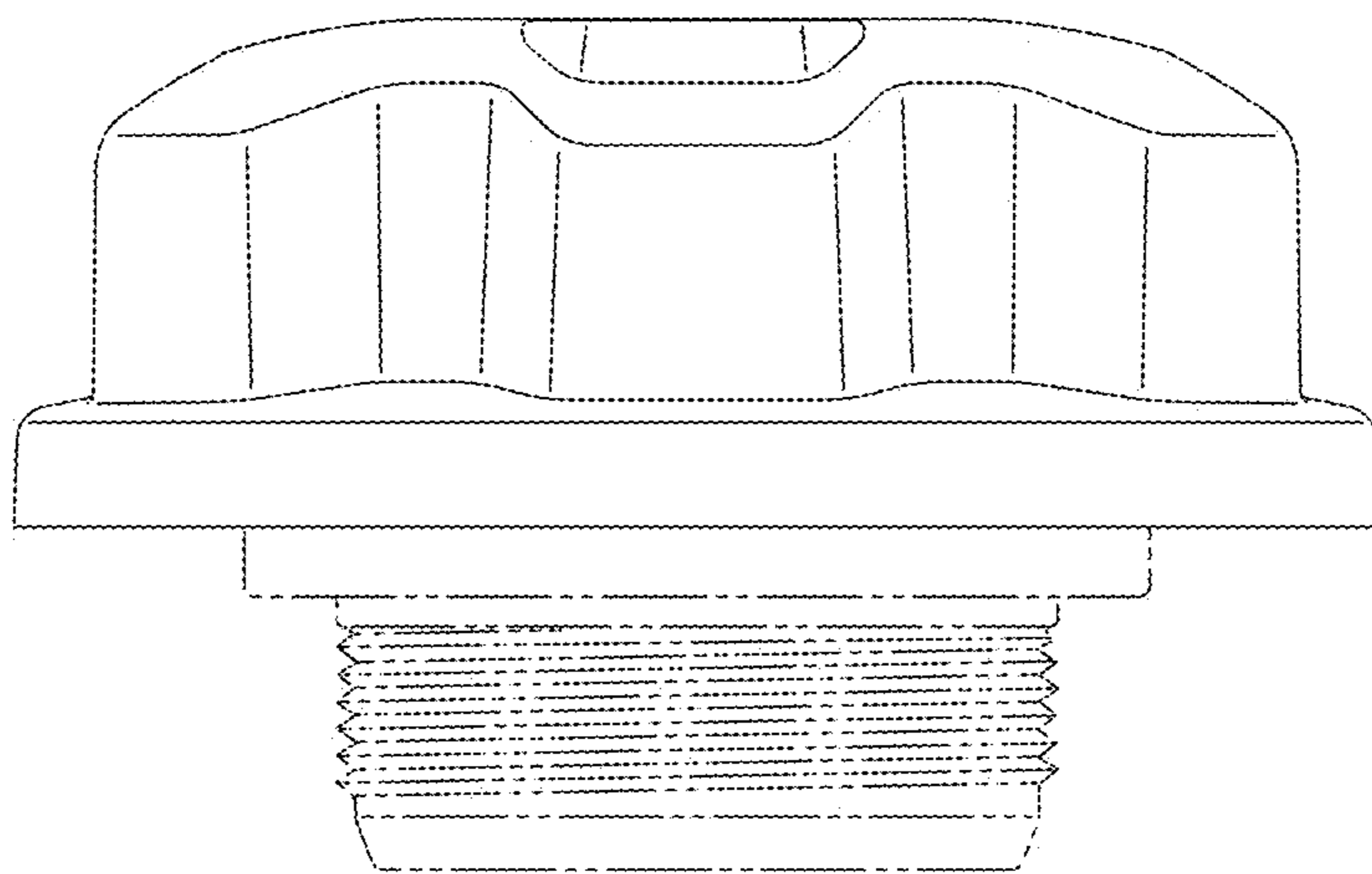


Fig. 4

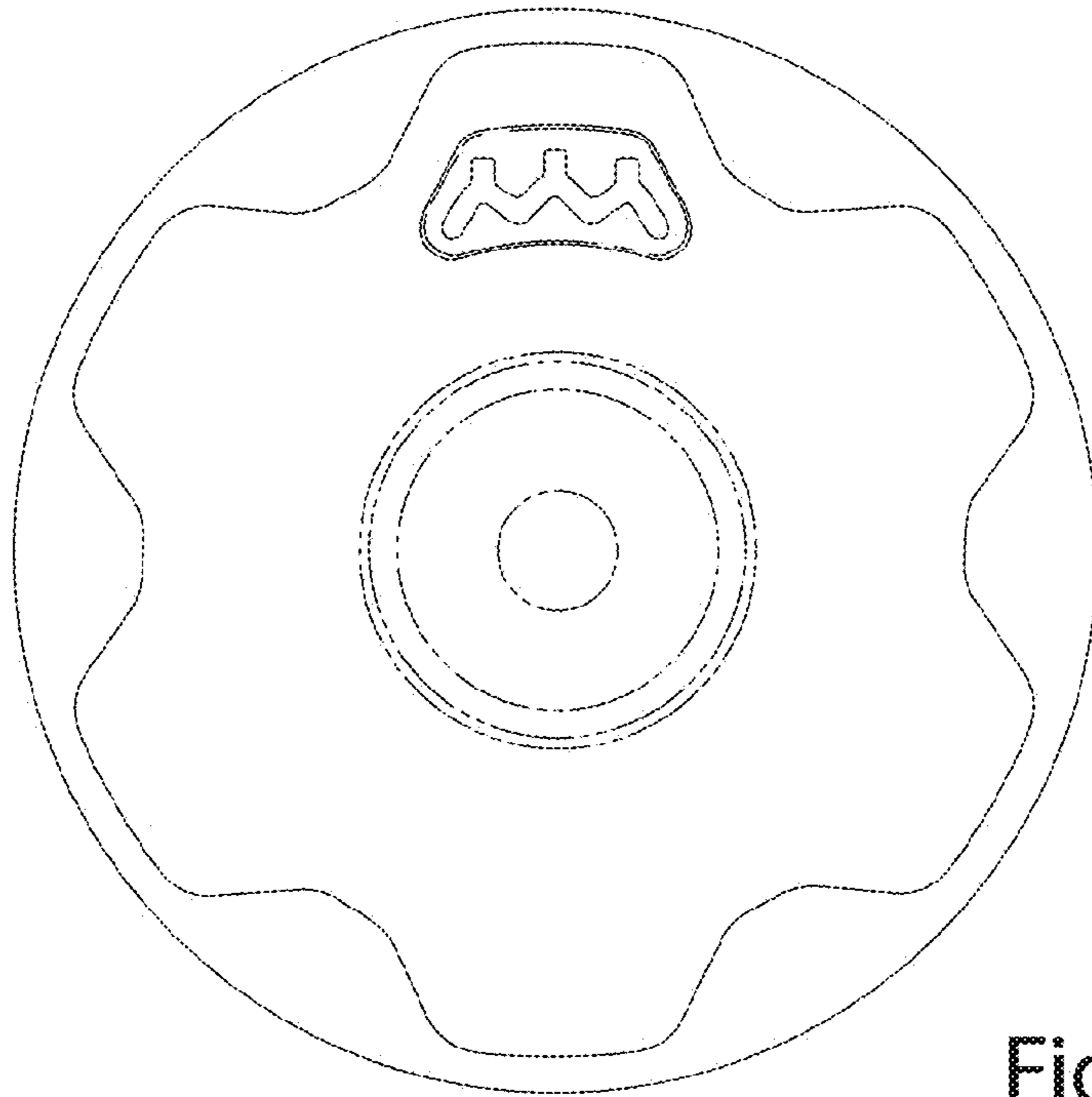


Fig. 5

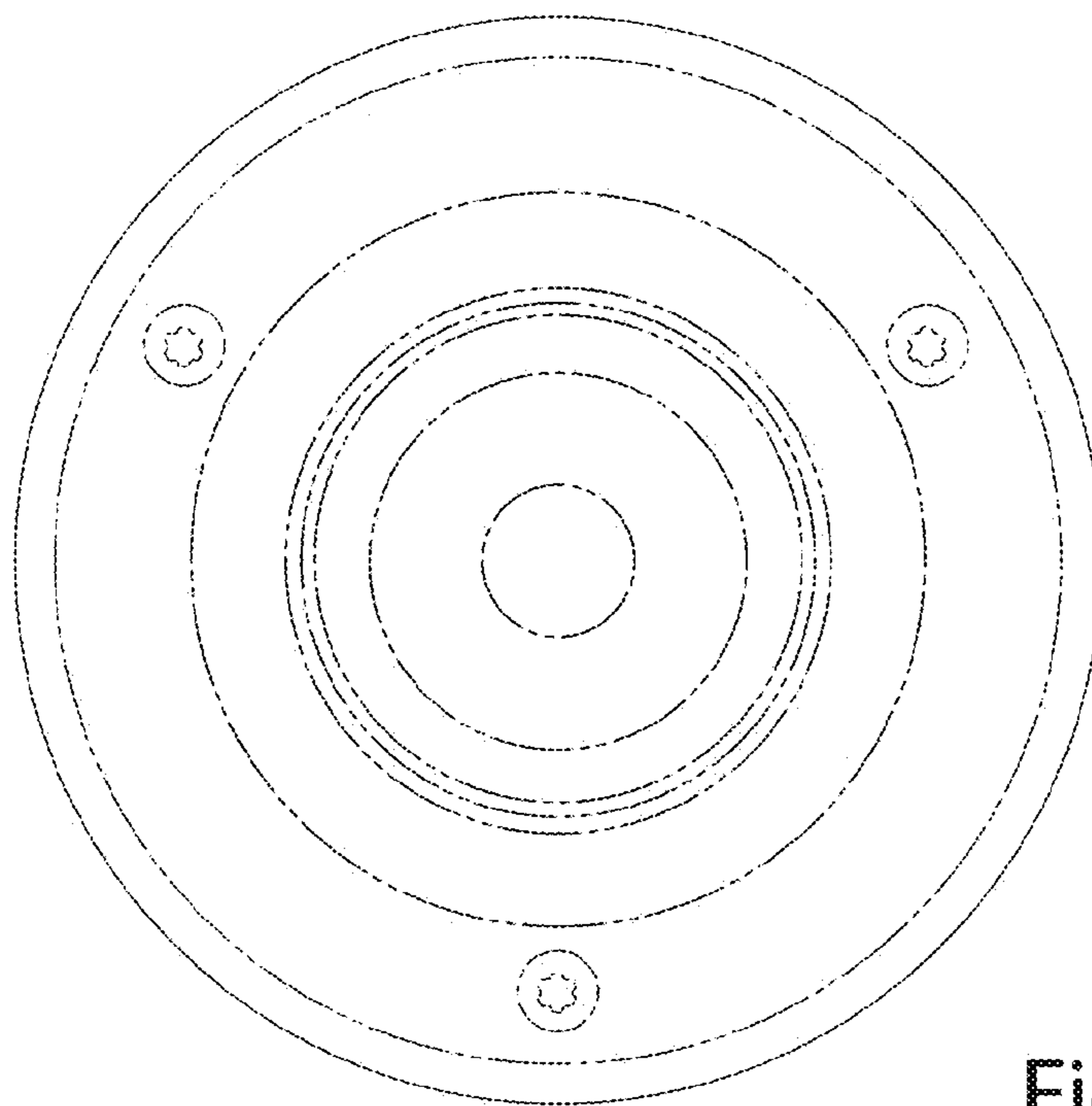


Fig. 6

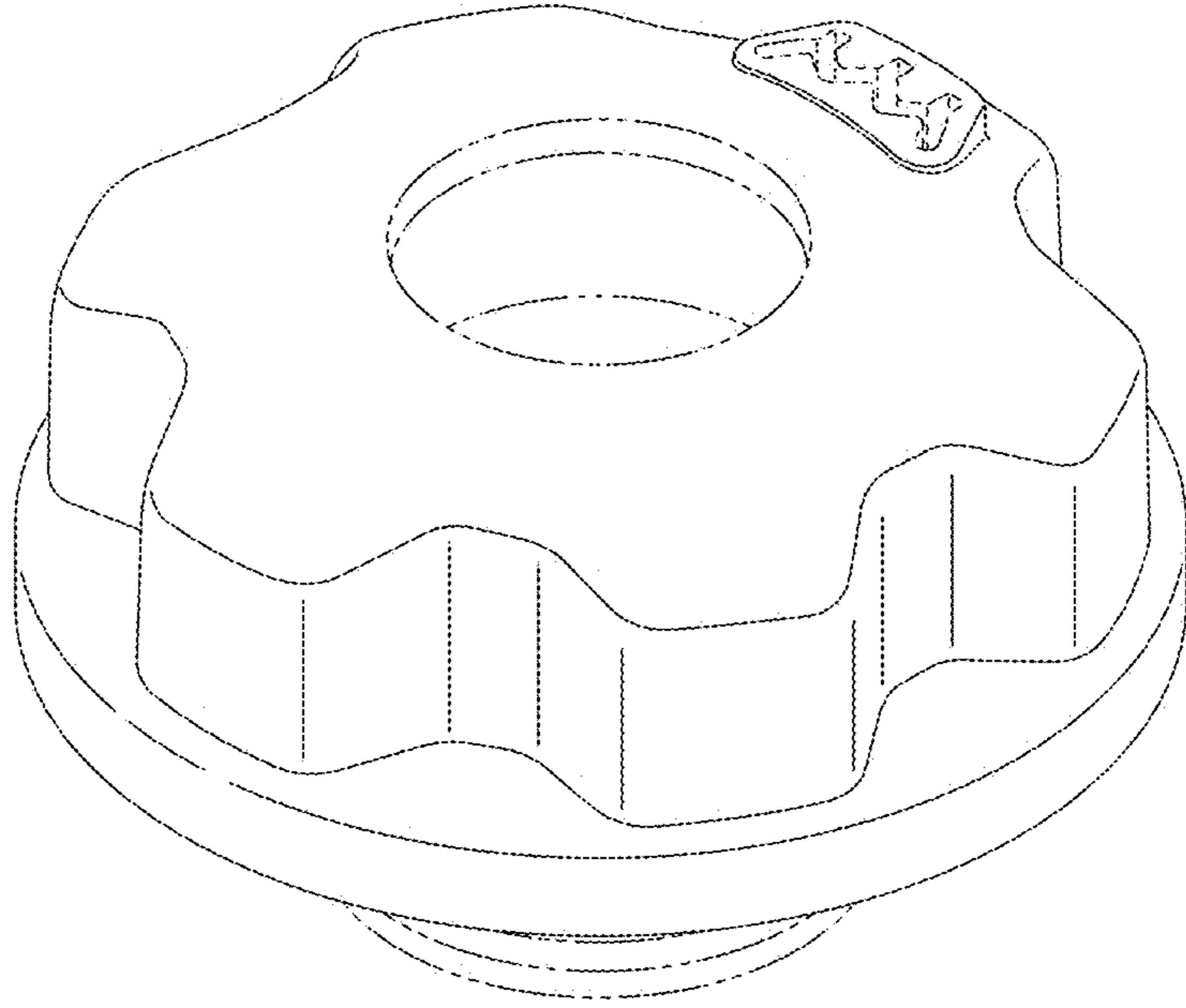


Fig. 7

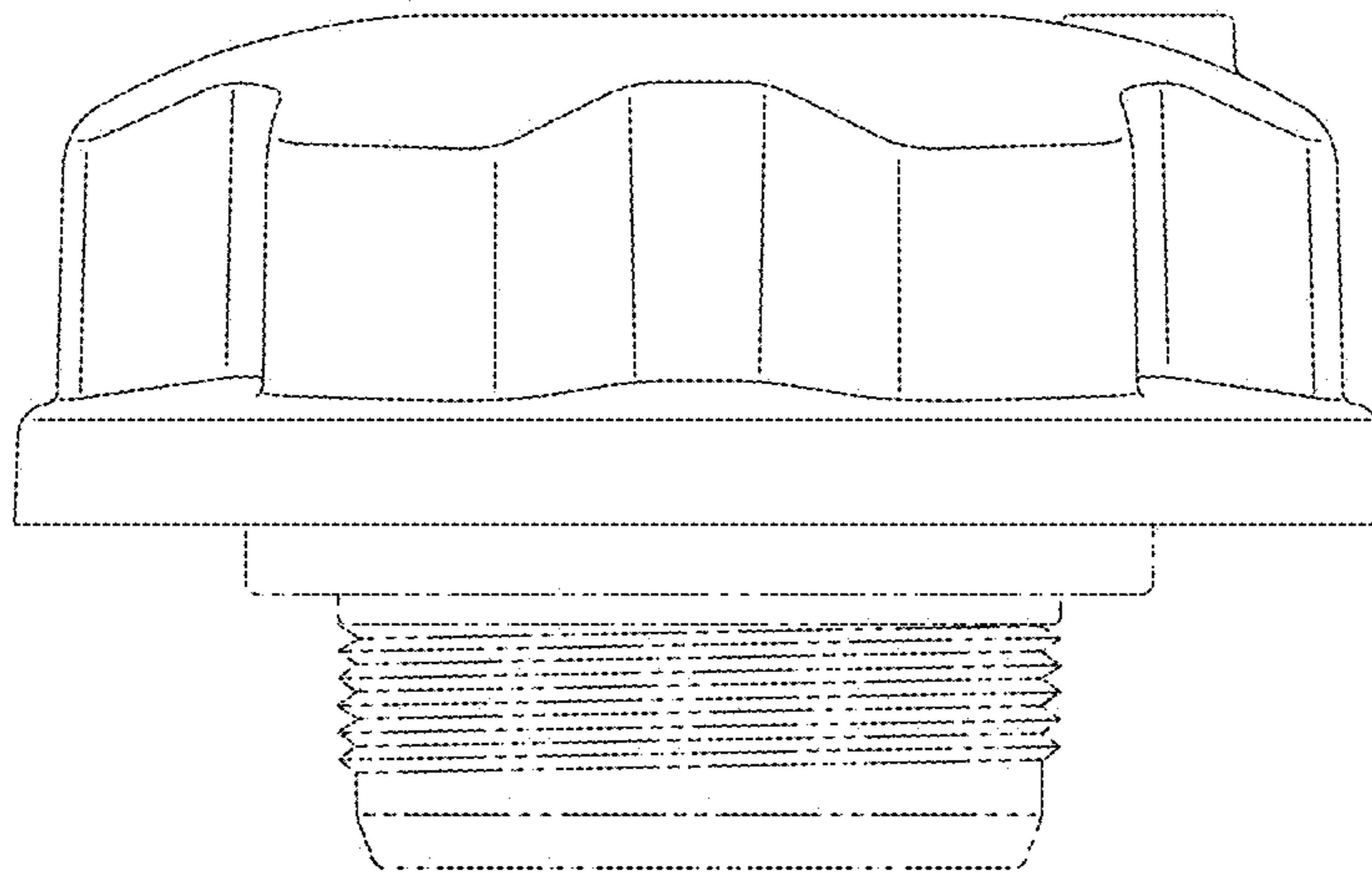


Fig. 8

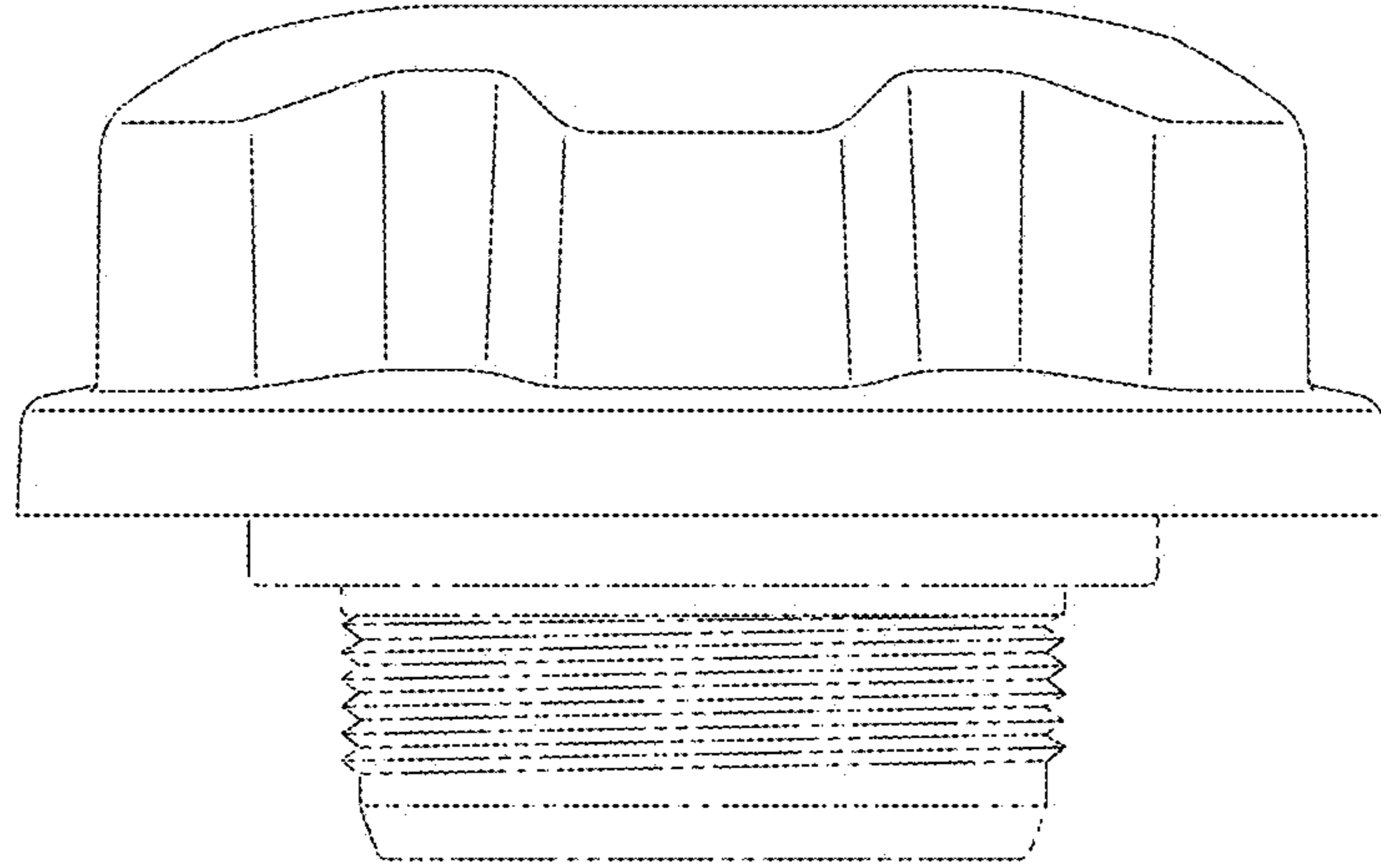


Fig. 9

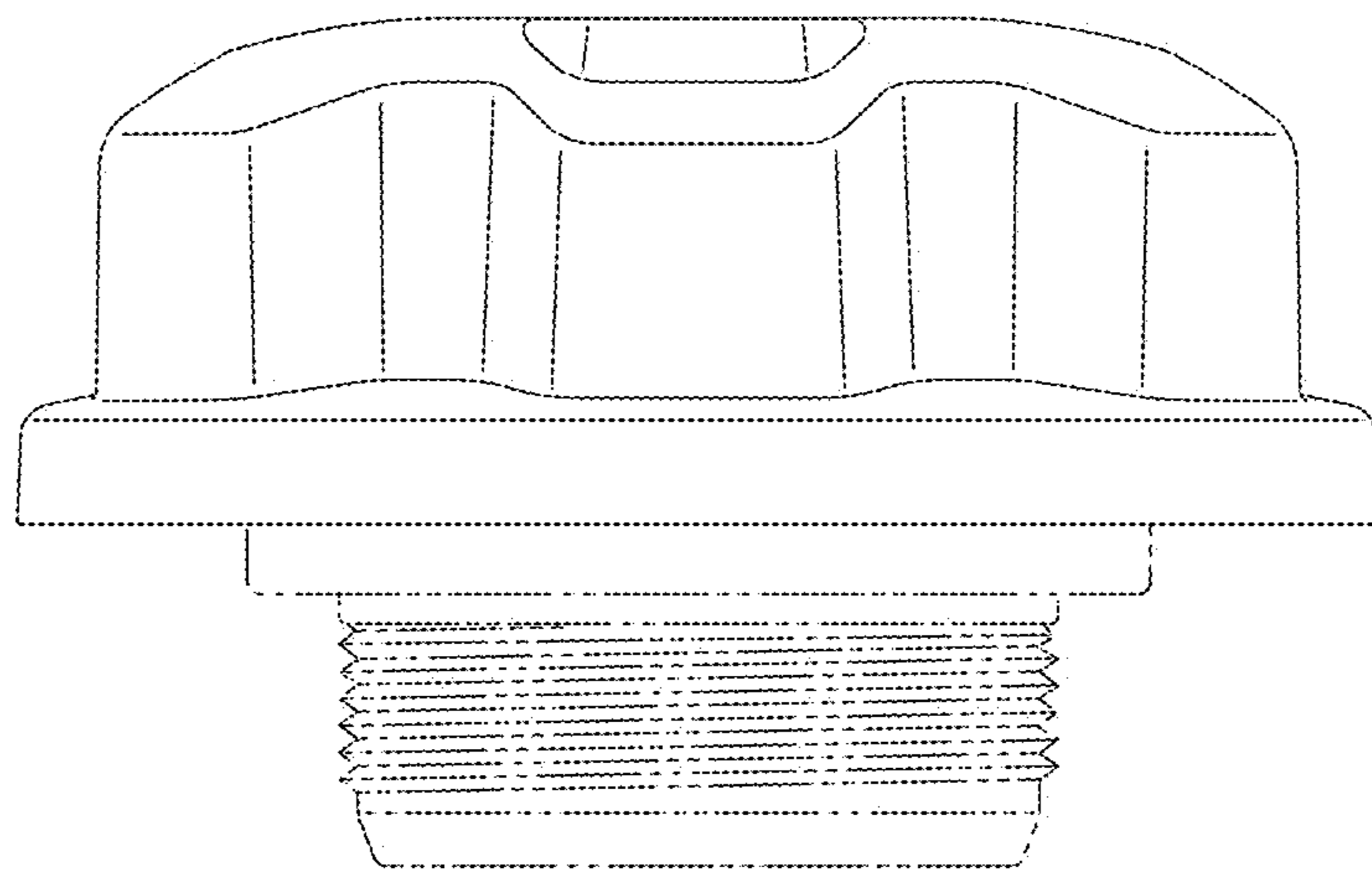


Fig. 10

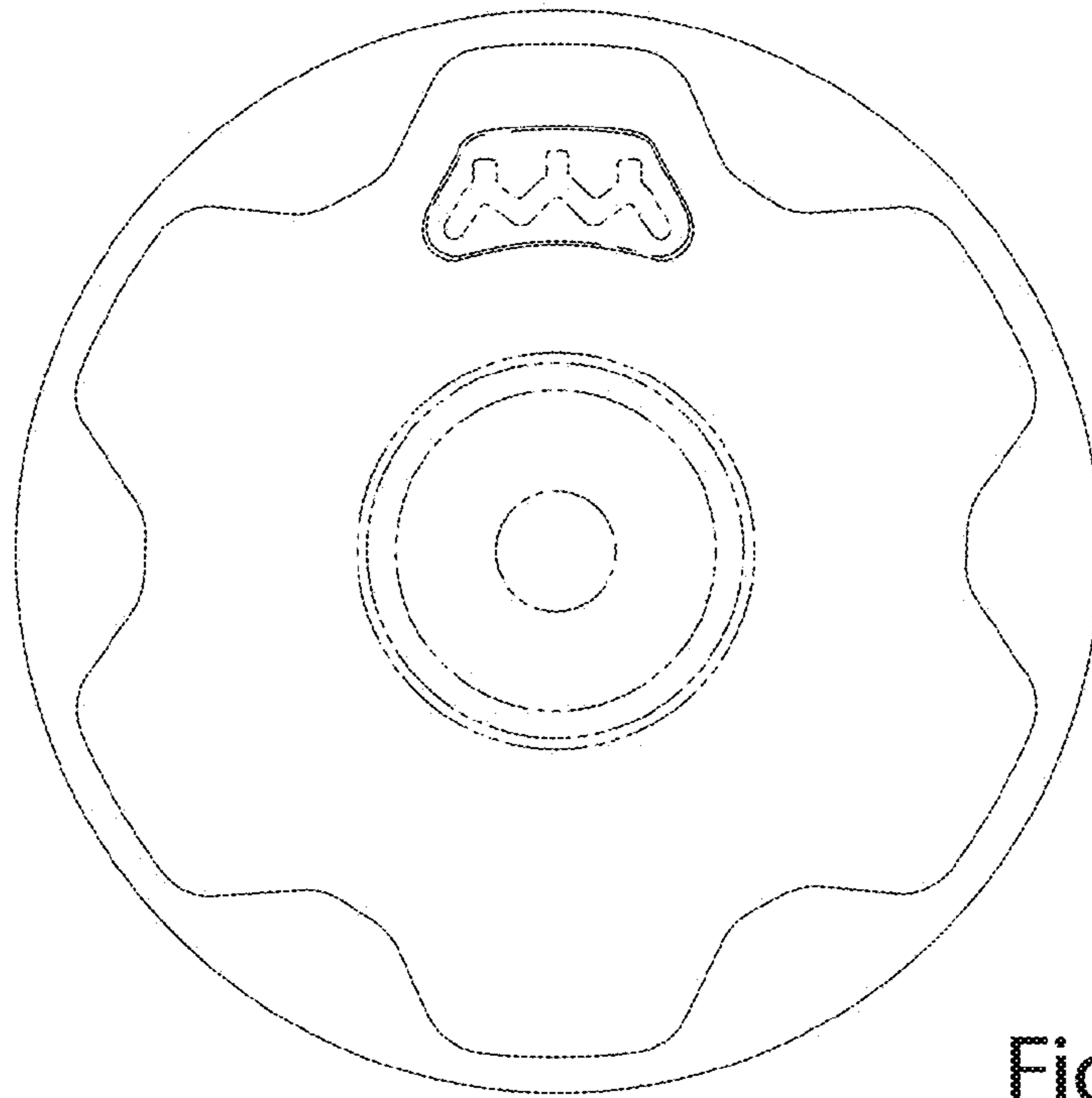


Fig. 11

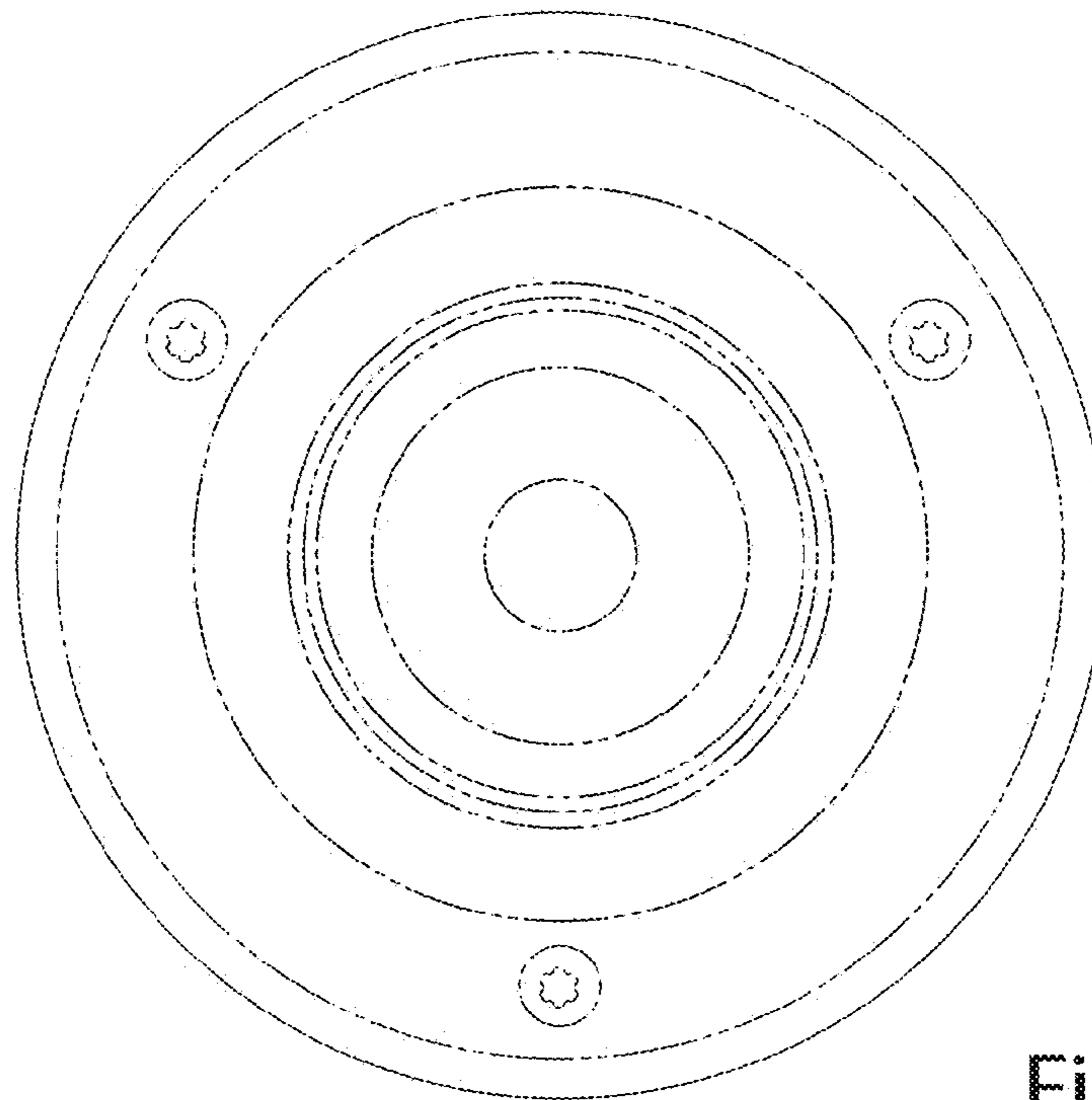


Fig. 12