



US00D721422S

(12) **United States Design Patent**
Sedwick

(10) **Patent No.:** **US D721,422 S**
(45) **Date of Patent:** **** Jan. 20, 2015**

- (54) **FAUCET SPOUT AND WAND**
- (71) Applicant: **Moen Incorporated**, North Olmsted, OH (US)
- (72) Inventor: **Jennifer P. Sedwick**, Lakewood, OH (US)
- (73) Assignee: **Moen Incorporated**, North Olmsted, OH (US)
- (**) Term: **14 Years**
- (21) Appl. No.: **29/489,641**
- (22) Filed: **May 1, 2014**
- (51) **LOC (10) Cl.** **23-01**
- (52) **U.S. Cl.**
USPC **D23/255**
- (58) **Field of Classification Search**
USPC D23/238, 241–243, 249, 255, 257;
4/675–678; 137/801
See application file for complete search history.

- D577,421 S 9/2008 Williams
- D584,385 S 1/2009 Hanna
- D593,185 S 5/2009 Williams
- D600,320 S 9/2009 Miyamoto et al.
- D602,122 S 10/2009 Corbett
- D607,975 S 1/2010 Schoenherr et al.
- D607,978 S 1/2010 Williams

(Continued)

OTHER PUBLICATIONS

Moen Boardwalk Faucet Product, the Moen Boardwalk Faucet Product shown in the cited document was publicly available prior to May 1, 2014, 1 page.

(Continued)

Primary Examiner — Robert Delehanty

(74) *Attorney, Agent, or Firm* — Calfee, Halter & Griswold LLP

(57) **CLAIM**

The ornamental design for a faucet spout and wand, as shown and described.

DESCRIPTION

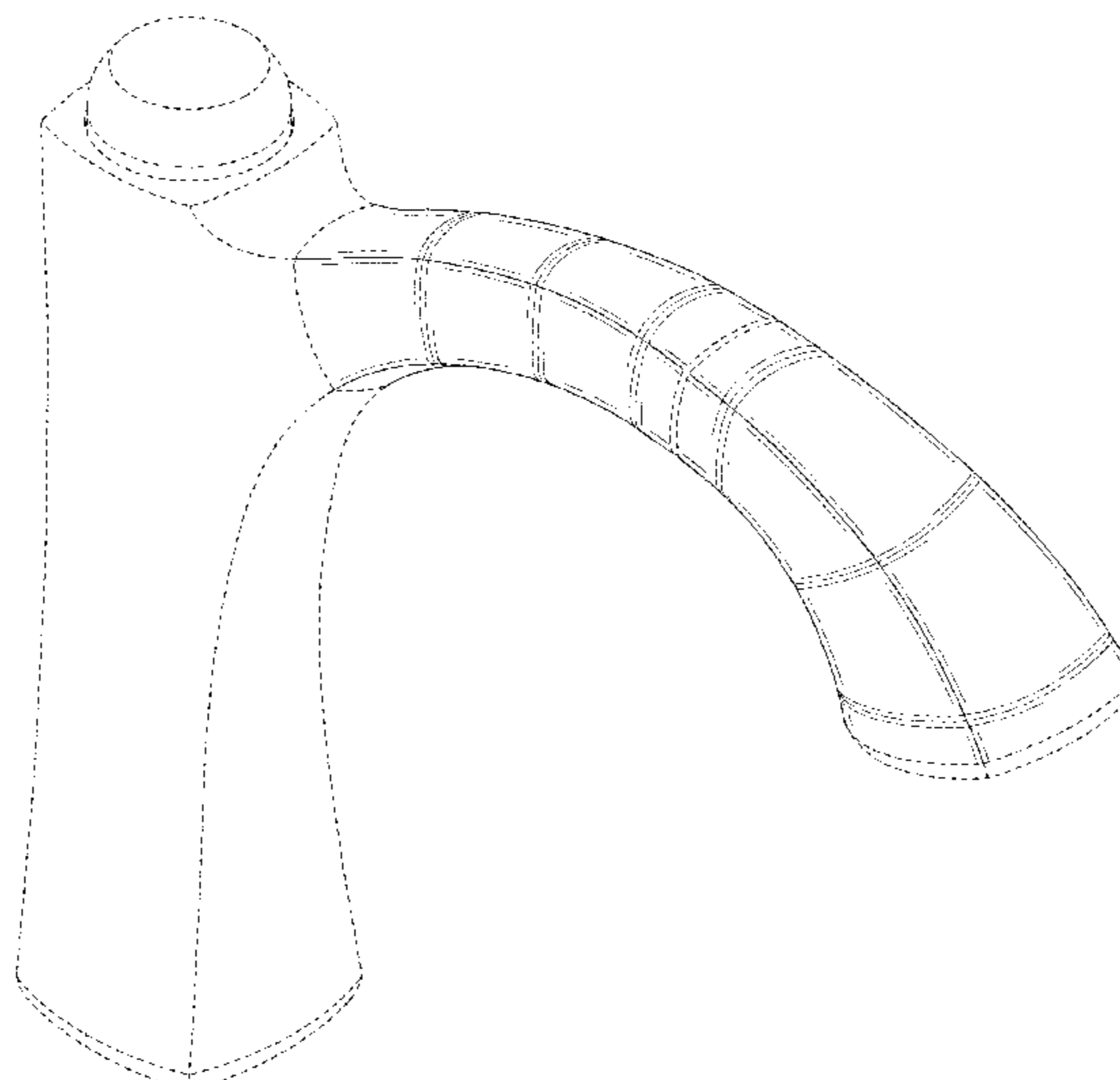
FIG. 1 is a perspective view of a faucet spout and wand of the new design;
 FIG. 2 is a front elevational view of the faucet spout and wand of FIG. 1;
 FIG. 3 is a rear elevational view of the faucet spout and wand of FIG. 1;
 FIG. 4 is a left side elevational view of the faucet spout and wand of FIG. 1, the right side elevational view being a mirror image thereof;
 FIG. 5 is a top plan view of the faucet spout and wand of FIG. 1; and,
 FIG. 6 is a bottom plan view of the faucet spout and wand of FIG. 1.
 The portions of the Figures shown in broken lines are not part of the claimed design and are for illustration only.

1 Claim, 4 Drawing Sheets

(56) **References Cited**

U.S. PATENT DOCUMENTS

- D217,670 S 5/1970 Rowlands
- D296,354 S 6/1988 Fabian
- D408,505 S 4/1999 Garcia
- D486,563 S 2/2004 Hsieh
- D488,539 S 4/2004 McKeone
- D492,387 S 6/2004 Pohl et al.
- D510,977 S 10/2005 Jones
- D516,172 S 2/2006 Gilbert
- D518,557 S 4/2006 Thun
- D527,080 S 8/2006 Schaffeld et al.
- D532,872 S 11/2006 Miyamoto
- D538,891 S 3/2007 Gilbert et al.
- D538,892 S 3/2007 Gilbert
- D567,907 S 4/2008 Kohler, Jr. et al.
- D569,950 S * 5/2008 Williams D23/238
- D573,698 S 7/2008 Downey
- D574,064 S 7/2008 Hanna
- D576,709 S 9/2008 Fritz



(56)

References Cited

U.S. PATENT DOCUMENTS

D608,859 S 1/2010 Schoenherr et al.
D610,236 S * 2/2010 Schoenherr et al. D23/238
D612,016 S 3/2010 Williams
D618,764 S 6/2010 Gao
D620,559 S 7/2010 Romero
D636,462 S 4/2011 Romero et al.
D636,853 S 4/2011 Yu
D640,353 S 6/2011 Gao et al.

D640,774 S 6/2011 Ke et al.
D645,123 S * 9/2011 Corbett D23/255
D687,126 S * 7/2013 Romero et al. D23/238

OTHER PUBLICATIONS

Delta Arc Faucet Product, the Delta Arc Faucet Product shown in the cited document is publicly available, 1 page.
Kohler Evoke Faucet Product, the Kohler Evoke Faucet Product shown in the cited document was publicly available prior to May 1, 2014, 1 page.

* cited by examiner

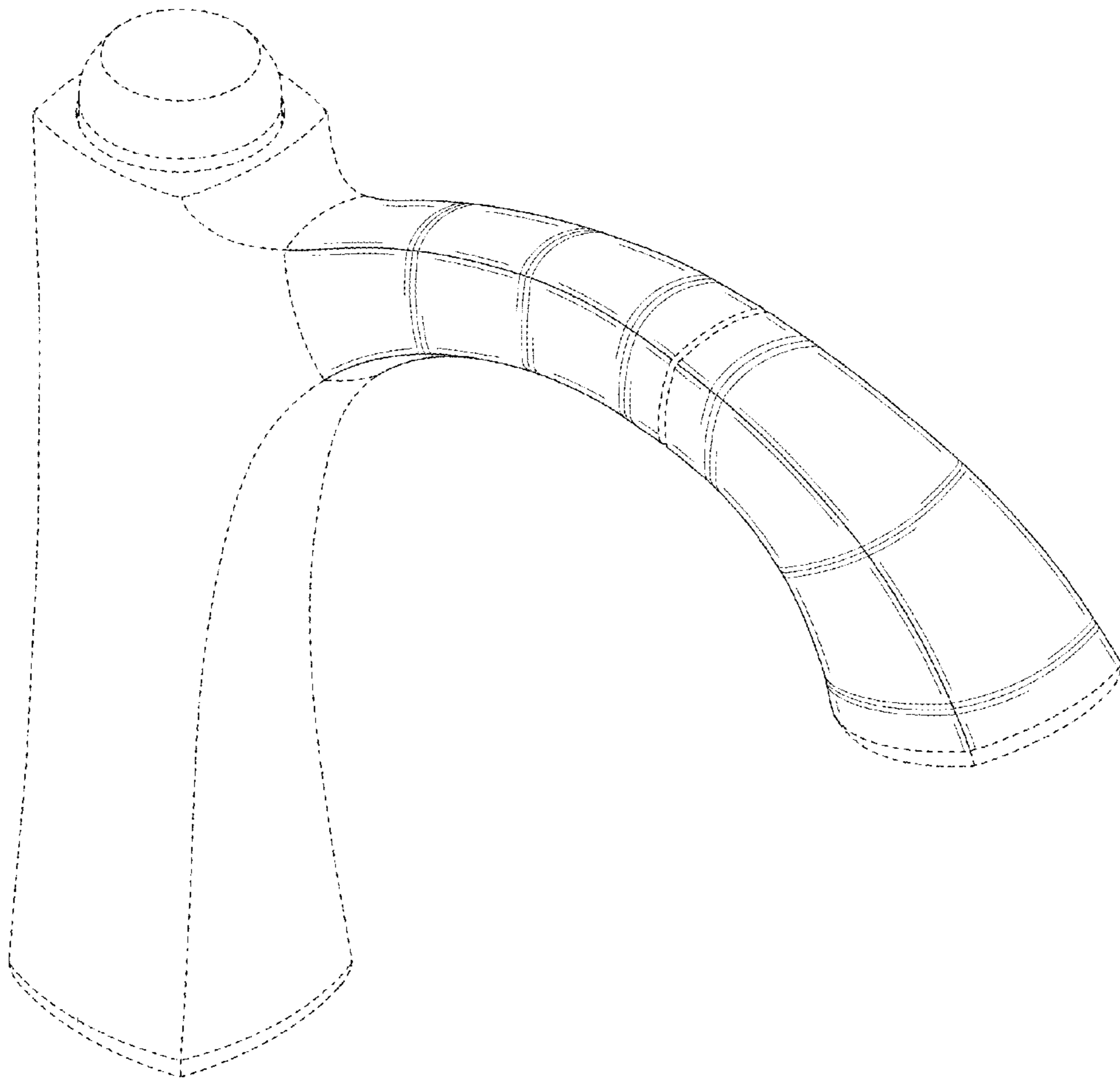


FIG. 1

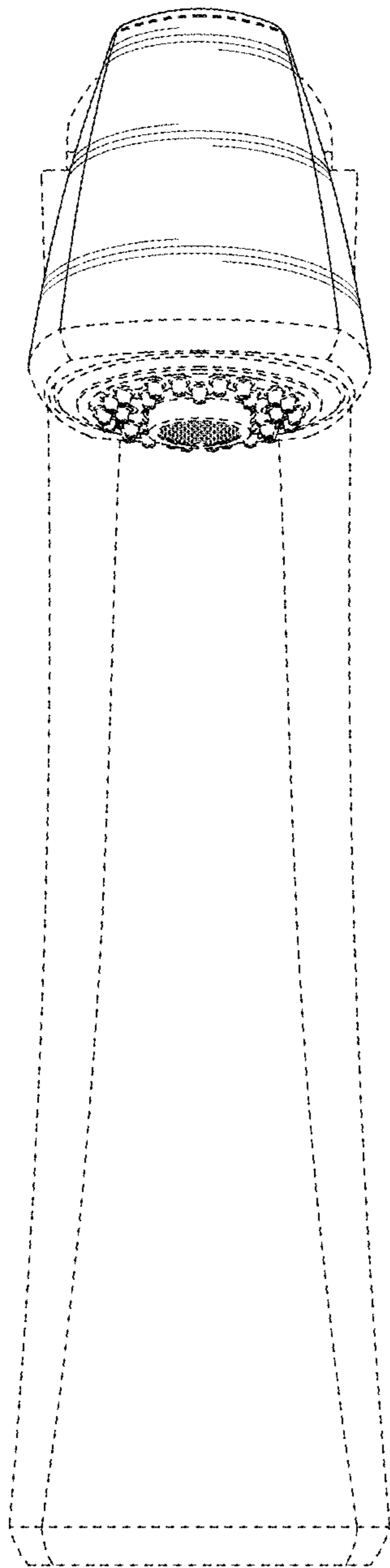


FIG. 2

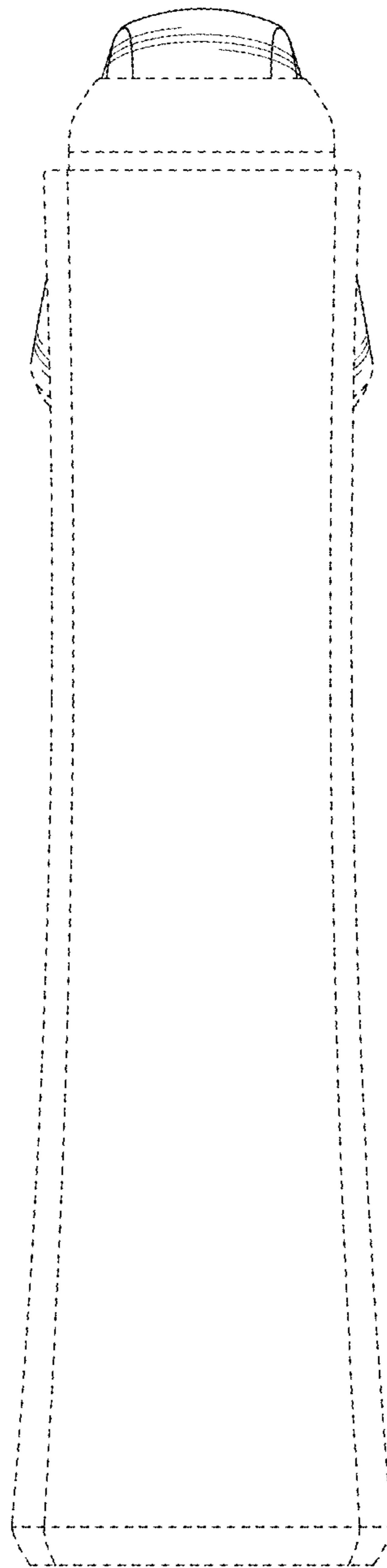


FIG. 3

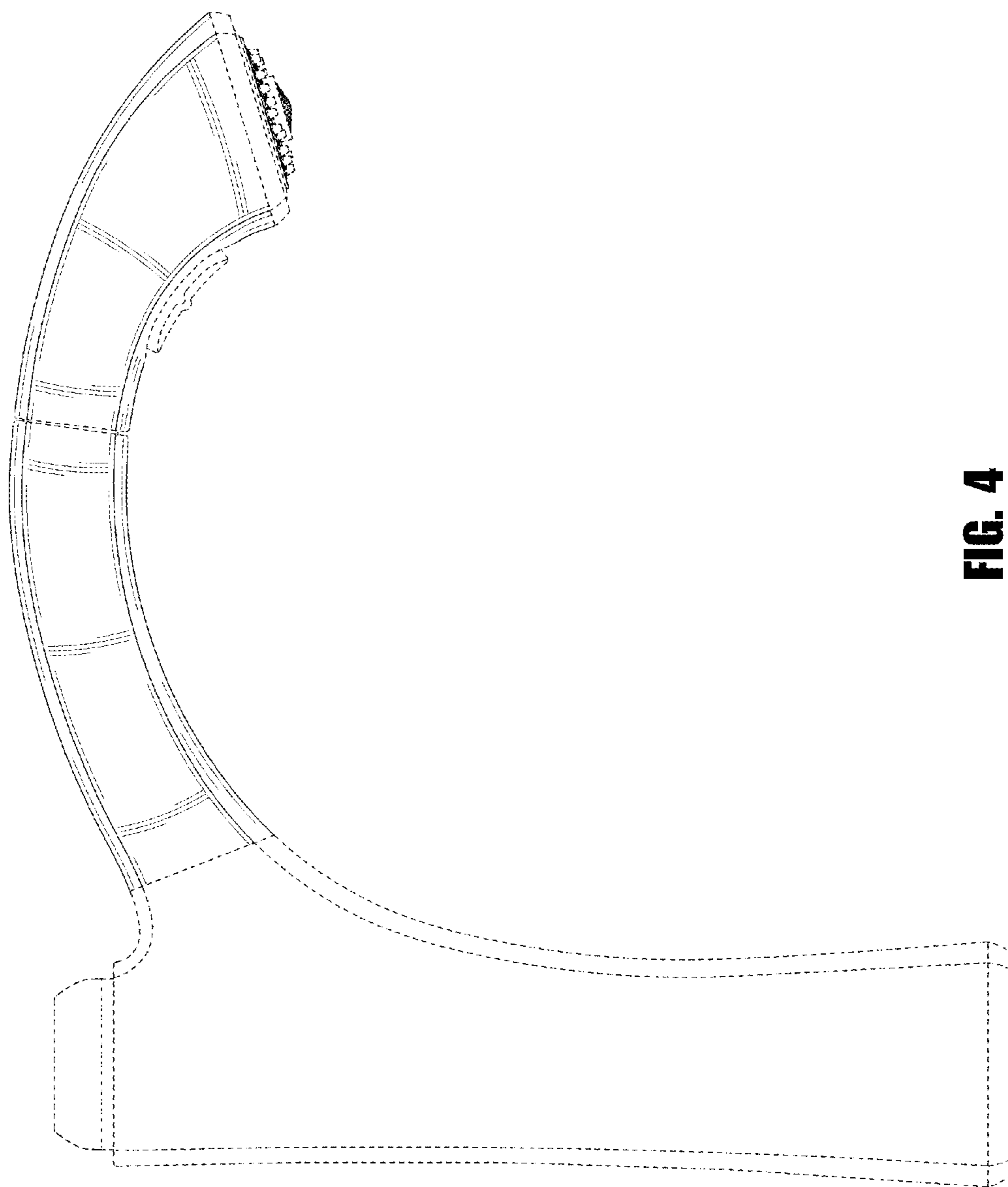


FIG. 4

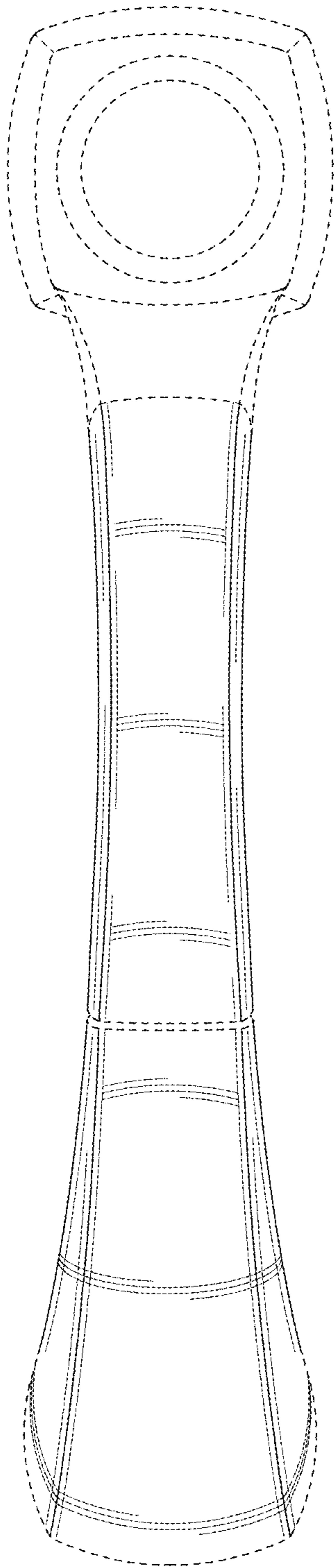


FIG. 5

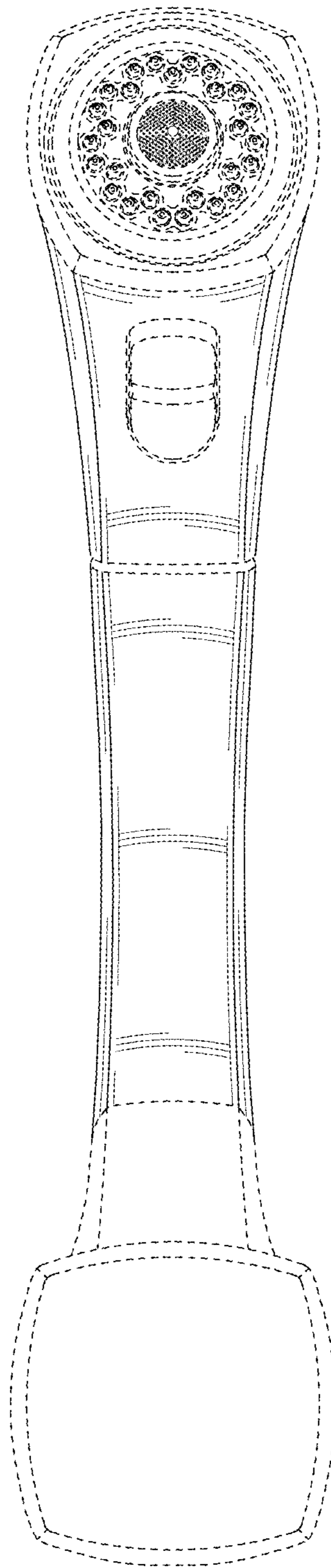


FIG. 6