



US00D721419S

(12) **United States Design Patent**
Koiwa

(10) **Patent No.:** **US D721,419 S**
(45) **Date of Patent:** **** Jan. 20, 2015**

(54) **SPRINKLER HEAD PROTECTIVE CAP**

(71) Applicant: **Senju Sprinkler Co., Ltd.**, Tokyo (JP)

(72) Inventor: **Yasuaki Koiwa**, Tokyo (JP)

(73) Assignee: **Senju Sprinkler Co., Ltd.**, Tokyo (JP)

(**) Term: **14 Years**

(21) Appl. No.: **29/469,303**

(22) Filed: **Oct. 9, 2013**

(30) **Foreign Application Priority Data**

Jun. 4, 2013 (JP) 2013-012427

(51) **LOC (10) Cl.** **23-01**

(52) **U.S. Cl.**
USPC **D23/214**

(58) **Field of Classification Search**
USPC D23/214-218, 227; 169/17, 37, 57;
239/288, 288.3, 288.5, 209
See application file for complete search history.

(56) **References Cited**

U.S. PATENT DOCUMENTS

- 3,514,040 A * 5/1970 Carson 239/288.5
- 4,830,117 A * 5/1989 Capasso 169/90
- D356,628 S * 3/1995 Brady D23/227
- 5,447,338 A * 9/1995 Kikuchi 285/46
- 7,108,195 B2 * 9/2006 Geertshuis et al. 239/1
- 7,540,330 B2 6/2009 Orr et al.
- 7,617,994 B2 * 11/2009 Gunderson et al. 239/288.5

- D683,425 S 5/2013 Koiwa
- 8,469,111 B2 * 6/2013 Orr et al. 169/37
- D694,855 S * 12/2013 Orr et al. D23/214
- 8,622,318 B1 * 1/2014 Clark et al. 239/240

FOREIGN PATENT DOCUMENTS

- JP 2002-210034 A 7/2002
- JP D1363230 S 6/2009

* cited by examiner

Primary Examiner — Robin V Webster

(74) *Attorney, Agent, or Firm* — Cermak Nakajima & McGowan LLP; Tomoko Nakajima

(57) **CLAIM**

The ornamental design for sprinkler head protective cap, as shown and described.

DESCRIPTION

FIG. 1 is a front elevational view of a sprinkler protective cap showing my new design;
 FIG. 2 is a rear elevational view thereof;
 FIG. 3 is a right side elevational view thereof;
 FIG. 4 is a left side elevational view thereof;
 FIG. 5 is a top plan view thereof; and
 FIG. 6 is a bottom plan view thereof;
 FIG. 7 is a front and top perspective view thereof; and
 FIG. 8 is a front and bottom perspective view thereof; and,
 FIG. 9 is a cross-sectional view thereof taken along the line 9-9 in FIG. 5.

1 Claim, 9 Drawing Sheets

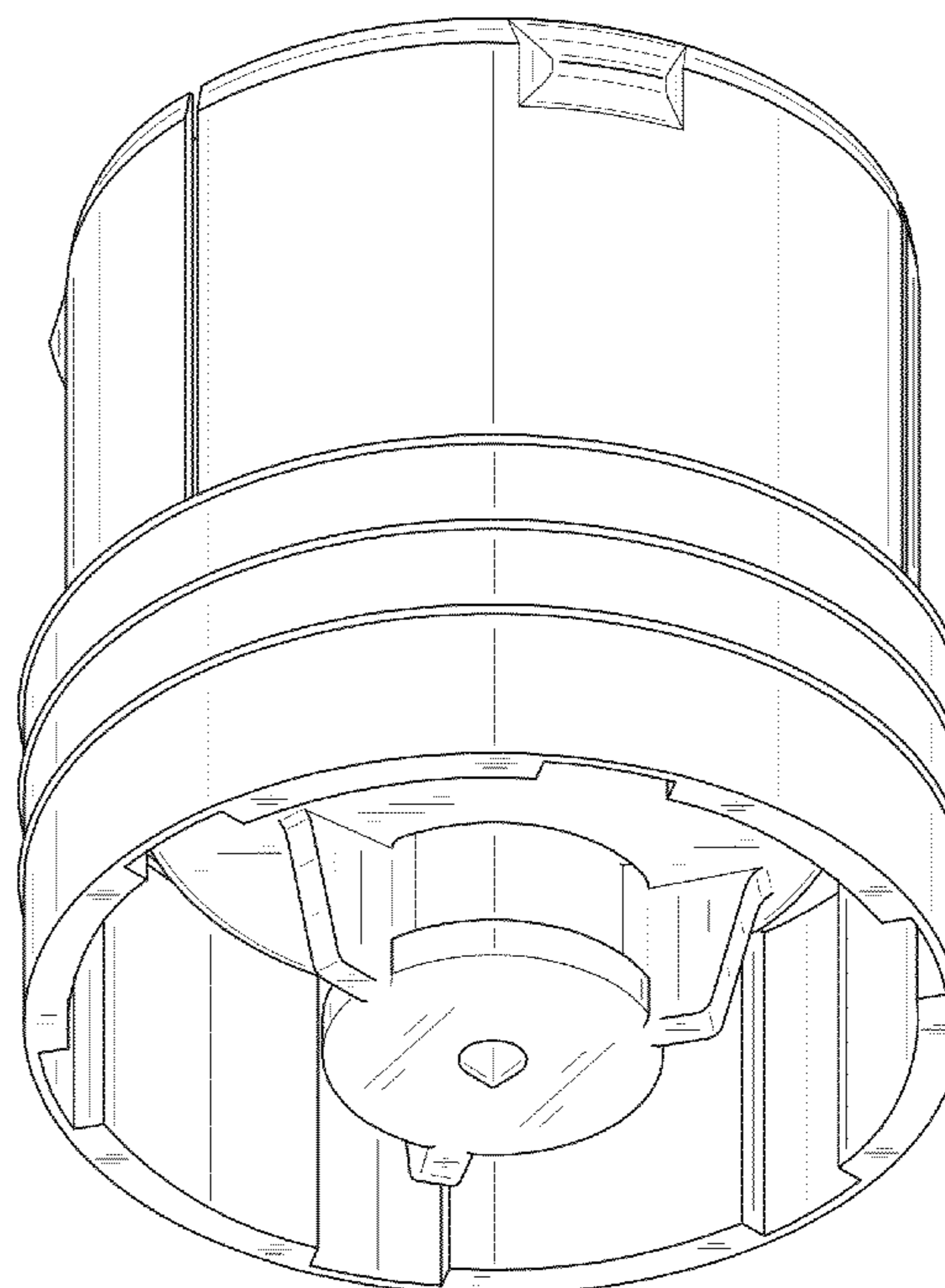
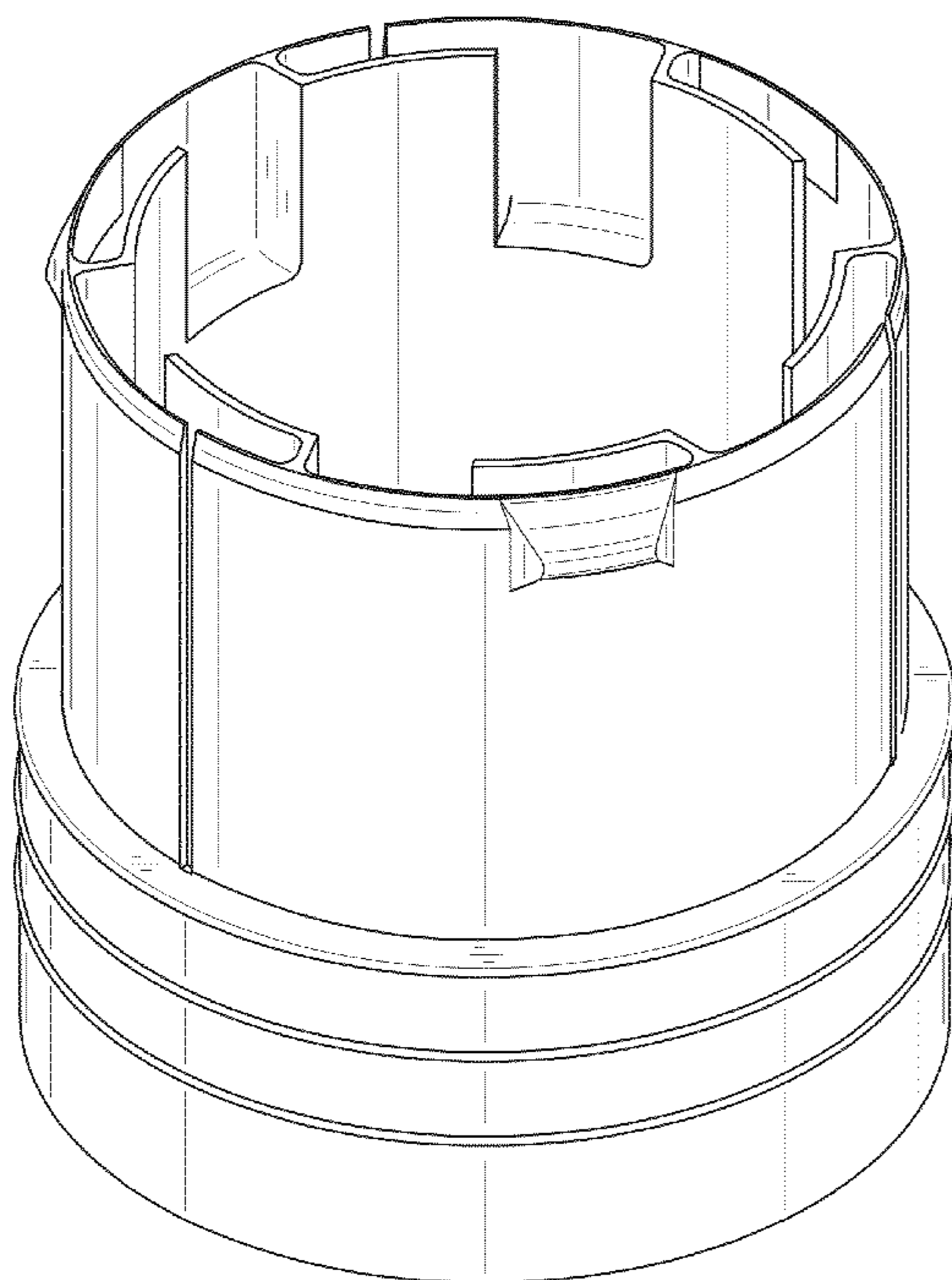


FIG. 1

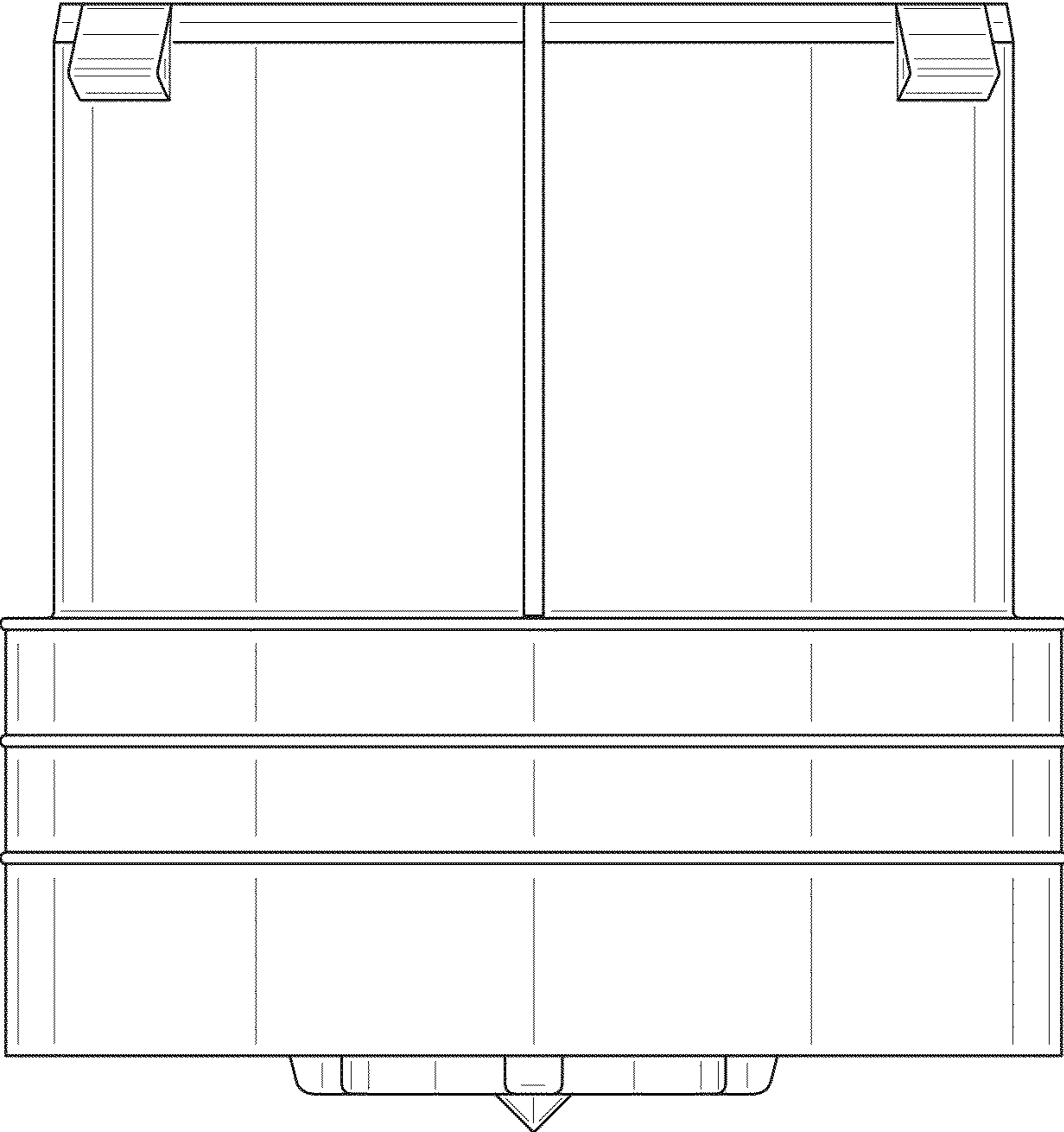


FIG.2

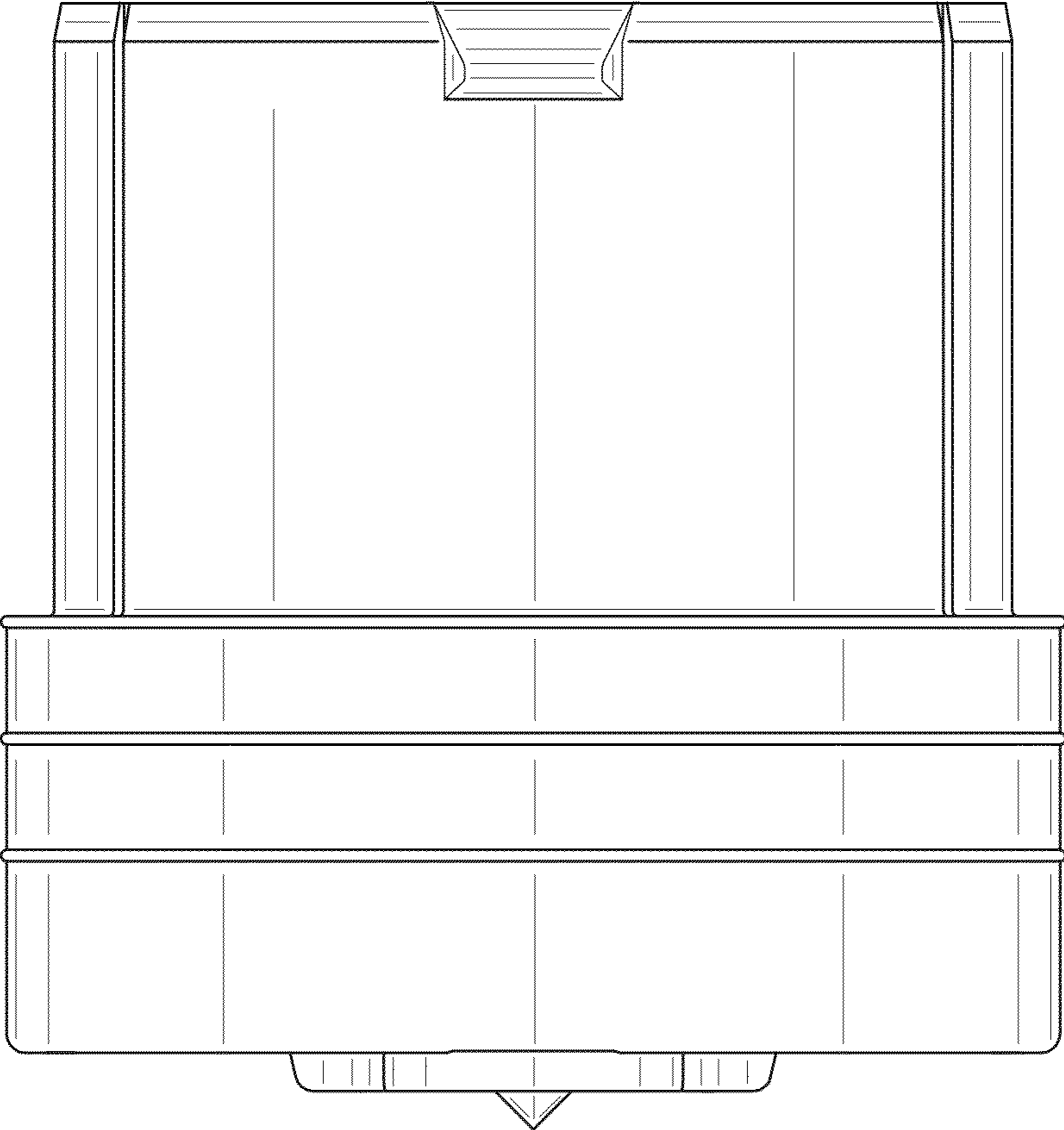


FIG.3

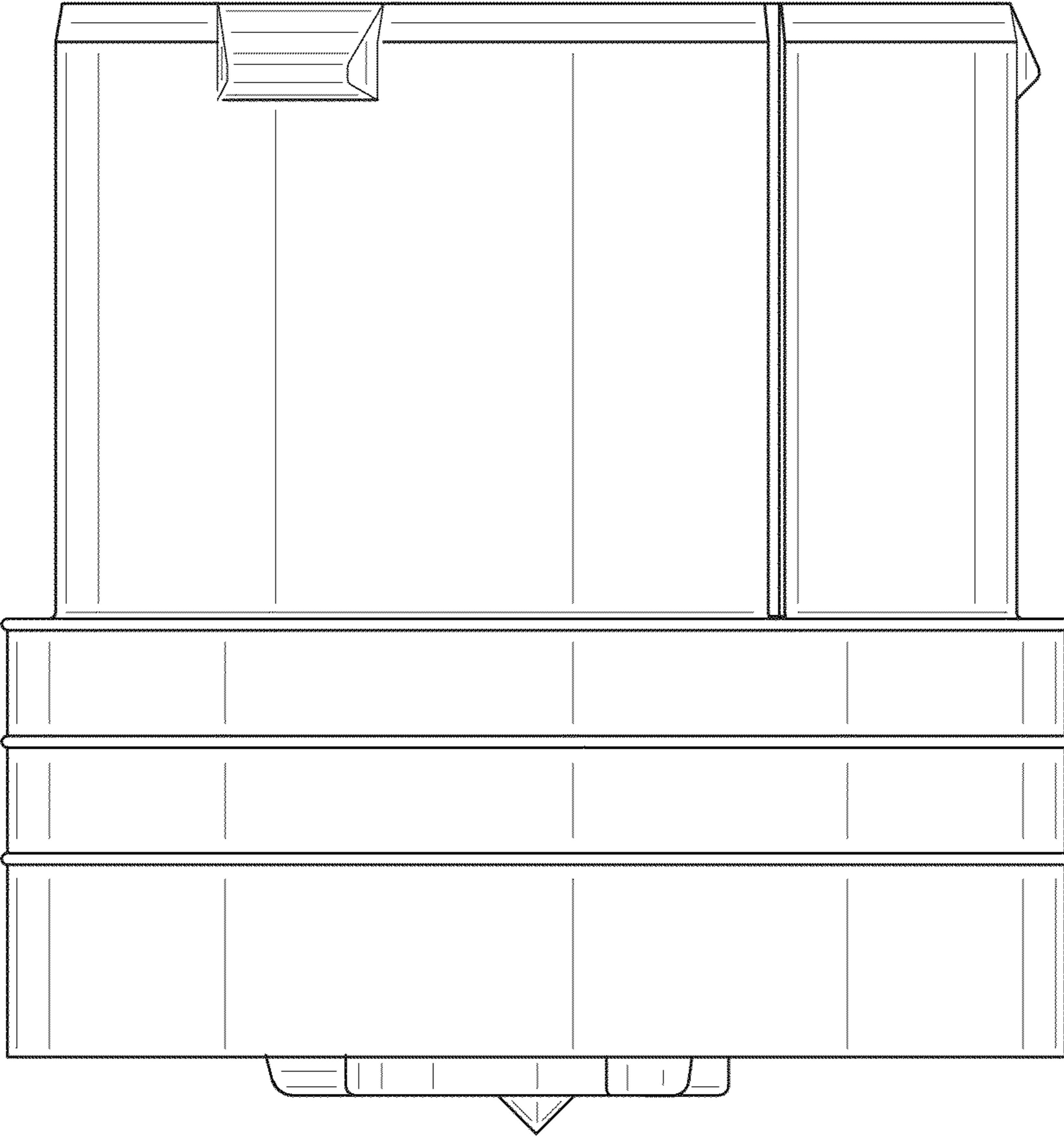


FIG.4

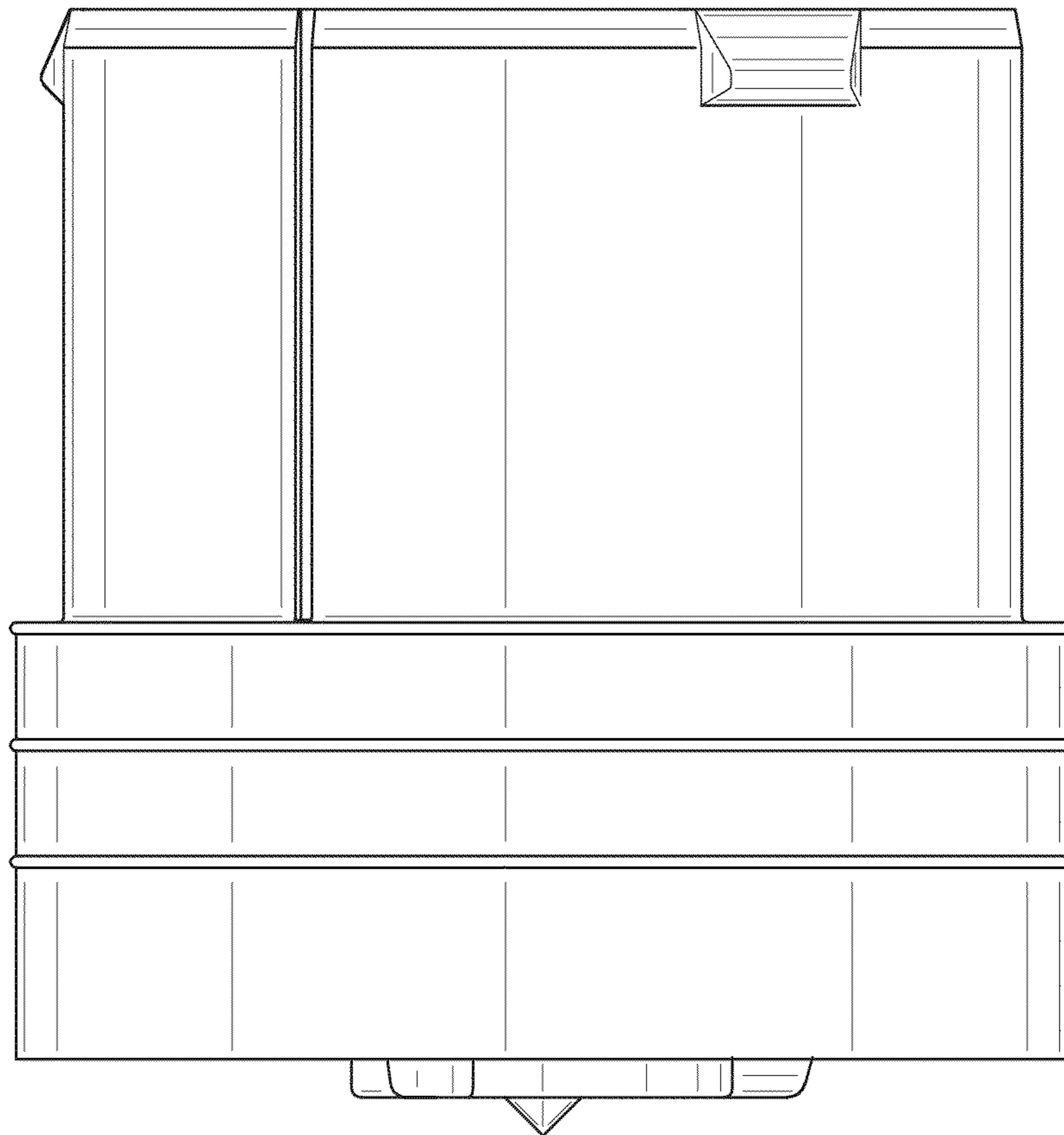


FIG.5

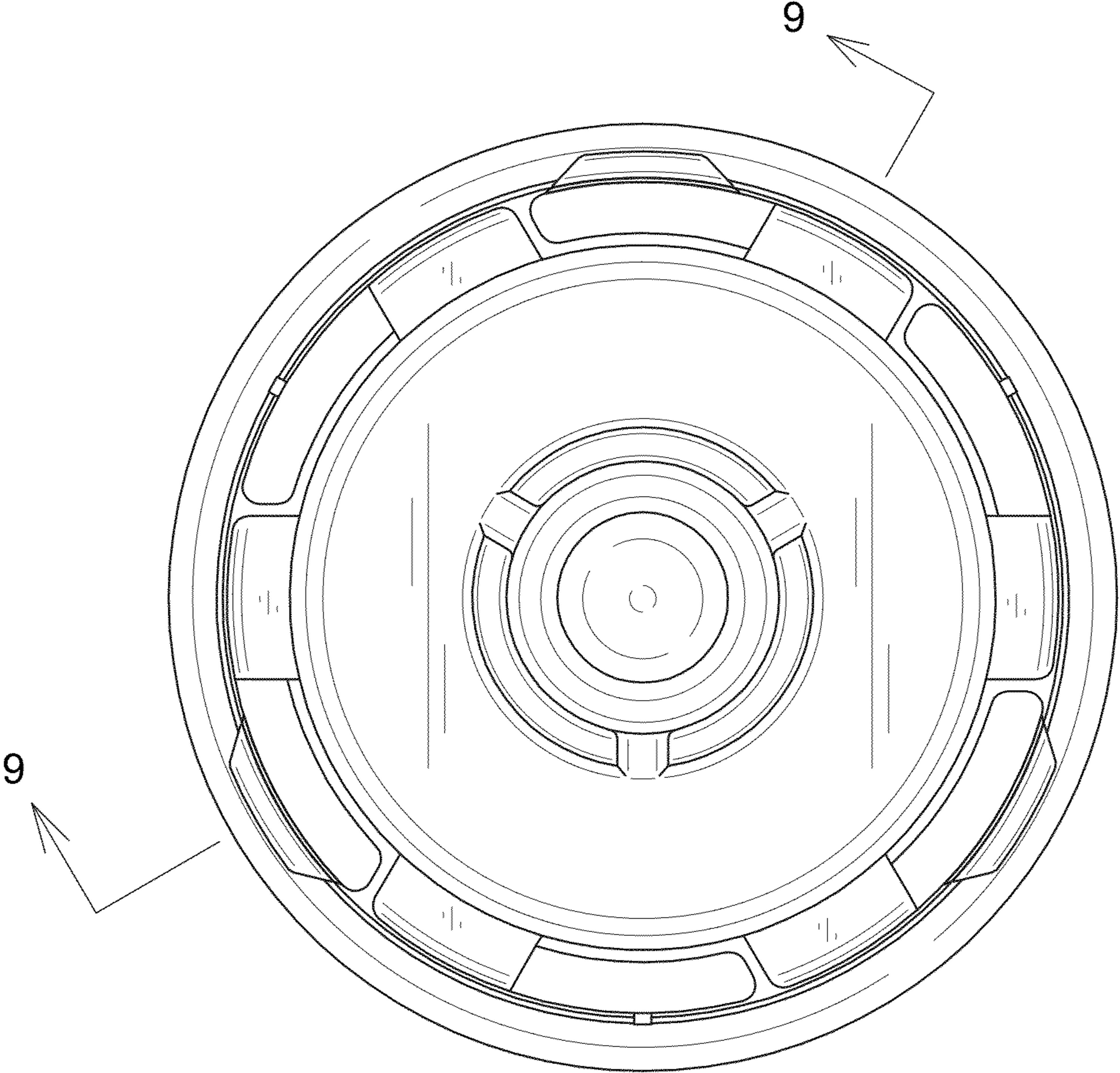


FIG.6

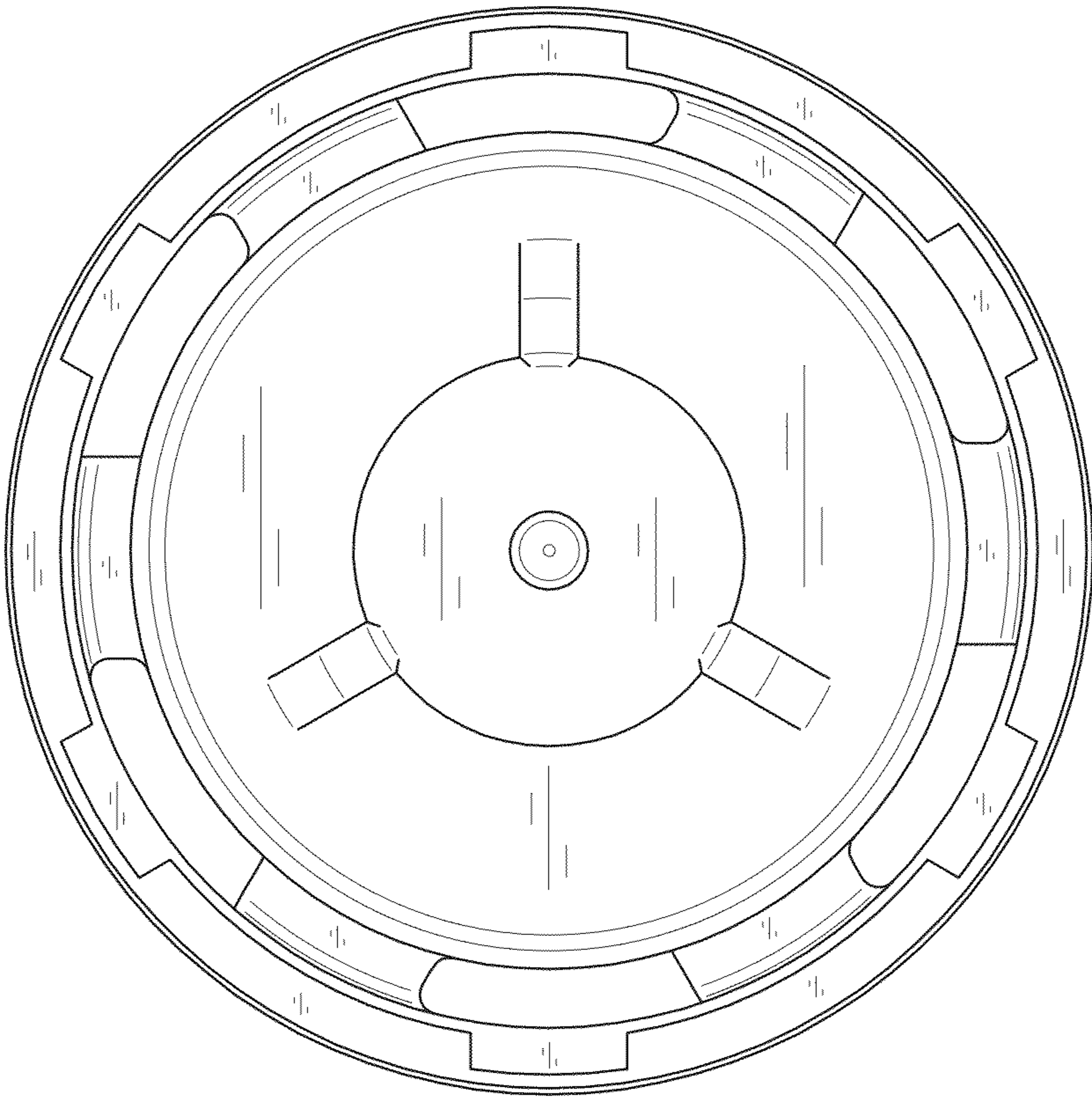


FIG.7

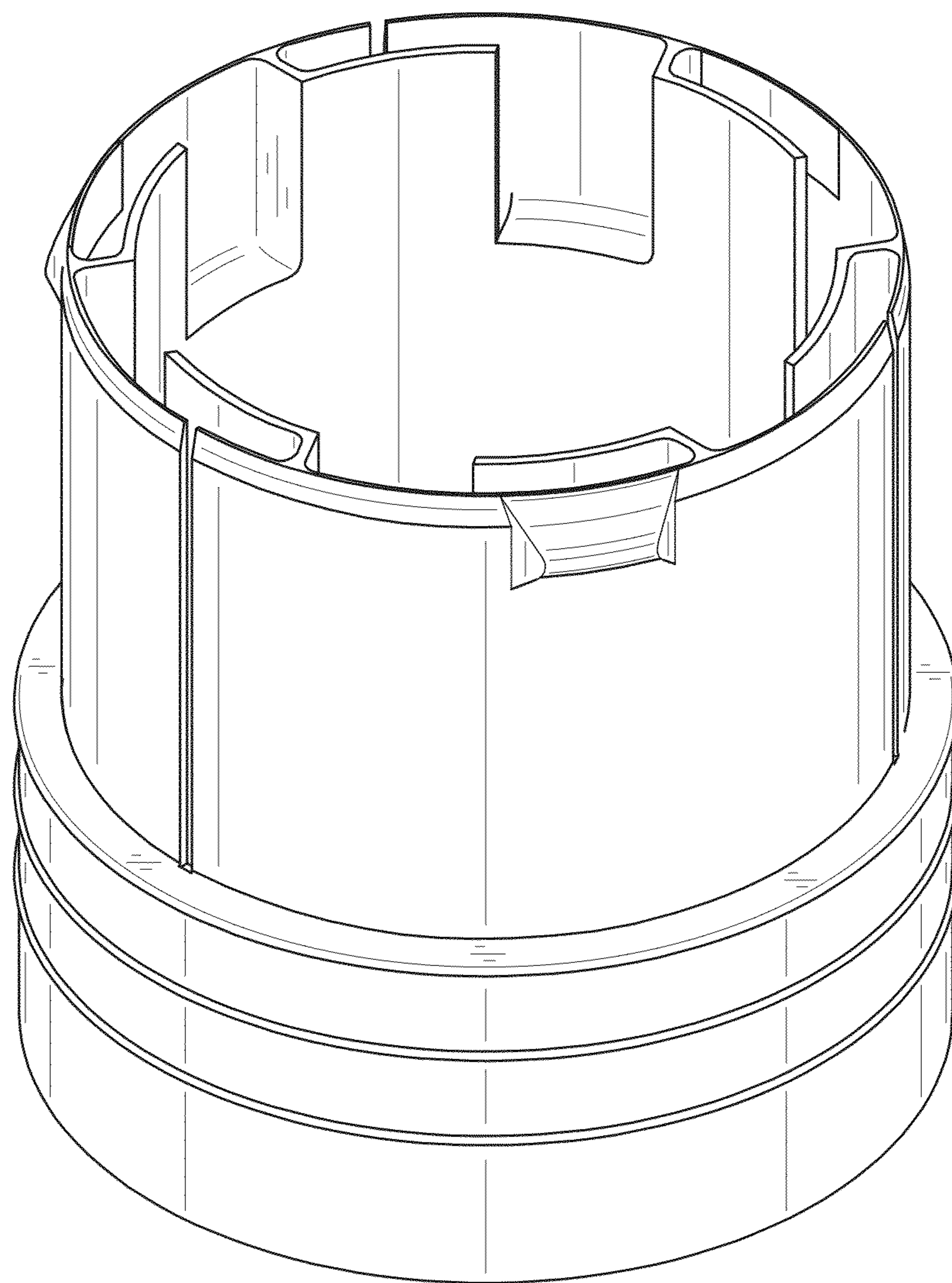


FIG.8

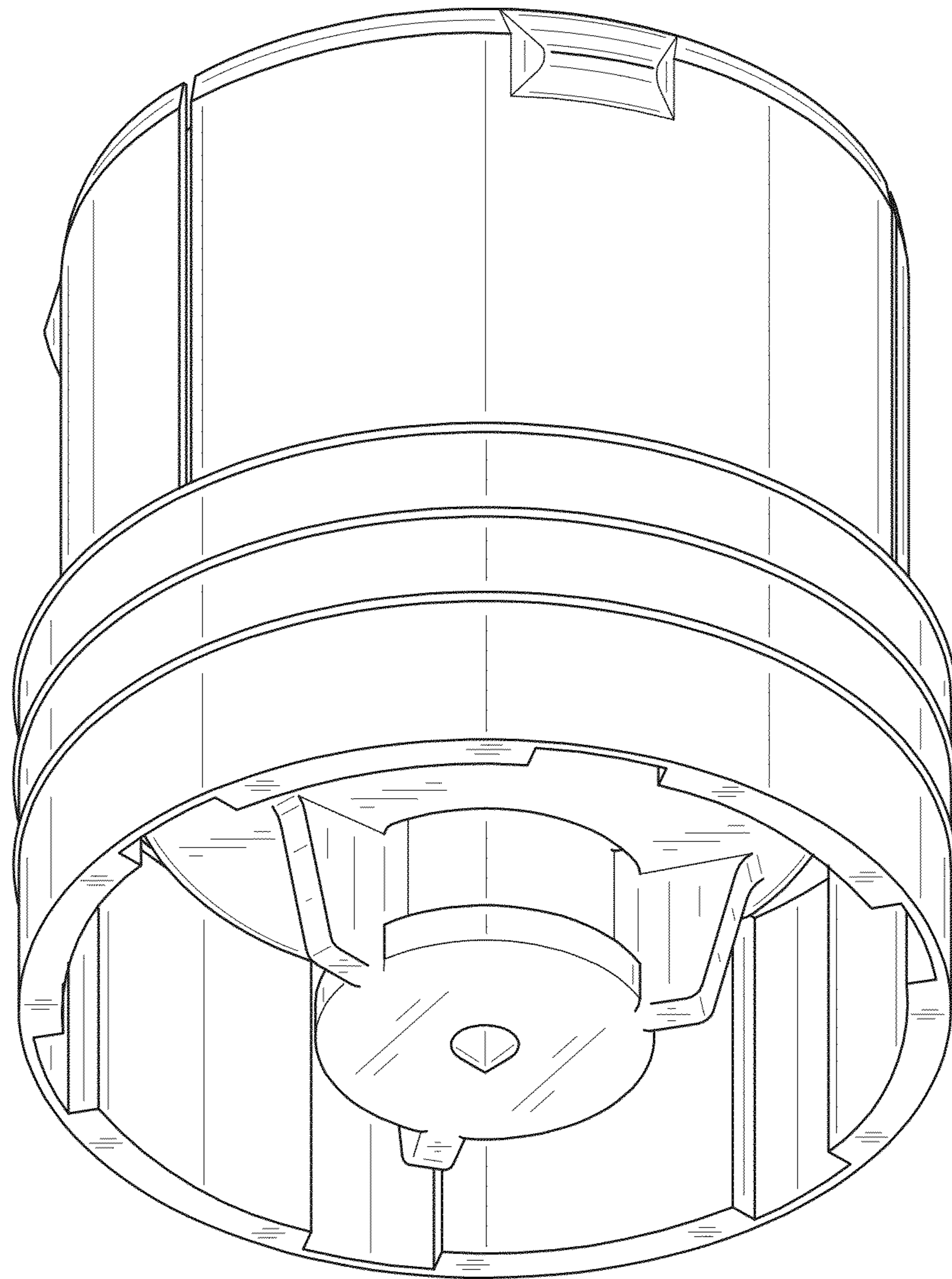


FIG.9

