



US00D721418S

(12) **United States Design Patent**
Koiwa

(10) **Patent No.:** **US D721,418 S**
(45) **Date of Patent:** **** Jan. 20, 2015**

(54) **SPRINKLER HEAD PROTECTIVE CAP**

(71) Applicant: **Senju Sprinkler Co., Ltd.**, Tokyo (JP)

(72) Inventor: **Yasuaki Koiwa**, Tokyo (JP)

(73) Assignee: **Senju Sprinkler Co., Ltd.**, Tokyo (JP)

(**) Term: **14 Years**

(21) Appl. No.: **29/469,296**

(22) Filed: **Oct. 9, 2013**

(30) **Foreign Application Priority Data**

Jun. 4, 2013 (JP) 2013-012426

(51) **LOC (10) Cl.** **23-01**

(52) **U.S. Cl.**
USPC **D23/214**

(58) **Field of Classification Search**
USPC D23/214-218, 227; 169/17, 37, 57;
239/288, 288.3, 288.5, 209
See application file for complete search history.

(56) **References Cited**

U.S. PATENT DOCUMENTS

3,514,040	A *	5/1970	Carson	239/288.5
4,830,117	A *	5/1989	Capasso	169/90
D356,628	S *	3/1995	Brady	D23/227
5,447,338	A *	9/1995	Kikuchi	285/46
7,108,195	B2 *	9/2006	Geertshuis et al.	239/1
7,540,330	B2	6/2009	Orr et al.		
7,617,994	B2 *	11/2009	Gunderson et al.	239/288.5

D683,425	S	5/2013	Koiwa		
8,469,111	B2 *	6/2013	Orr et al.	169/37
D694,855	S *	12/2013	Orr et al.	D23/214
8,622,318	B1 *	1/2014	Clark et al.	239/240

FOREIGN PATENT DOCUMENTS

JP	2002-210034	A	7/2002
JP	D1363230	S	6/2009

* cited by examiner

Primary Examiner — Robin V Webster

(74) *Attorney, Agent, or Firm* — Cermak Nakajima & McGowan LLP; Tomoko Nakajima

(57) **CLAIM**

The ornamental design for sprinkler head protective cap, as shown and described.

DESCRIPTION

FIG. 1 is a front elevational view of a sprinkler protective cap showing my new design;
FIG. 2 is a rear elevational view thereof;
FIG. 3 is a right side elevational view thereof;
FIG. 4 is a left side elevational view thereof;
FIG. 5 is a top plan view thereof; and
FIG. 6 is a bottom plan view thereof;
FIG. 7 is a front and top perspective view thereof; and,
FIG. 8 is a front and bottom perspective view thereof.
FIG. 9 is a cross-sectional view thereof taken along the line 9-9 in FIG. 5.

1 Claim, 9 Drawing Sheets

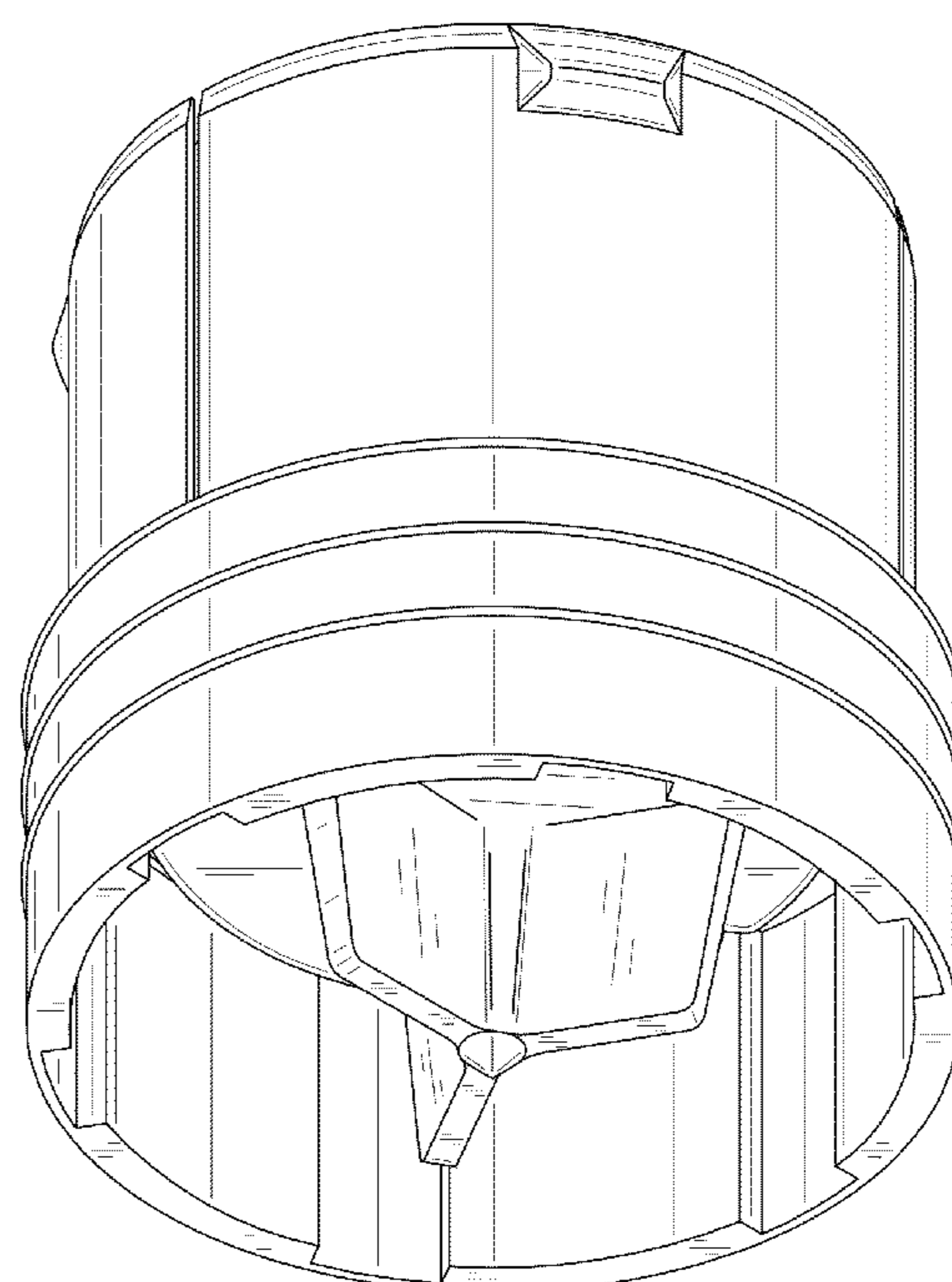
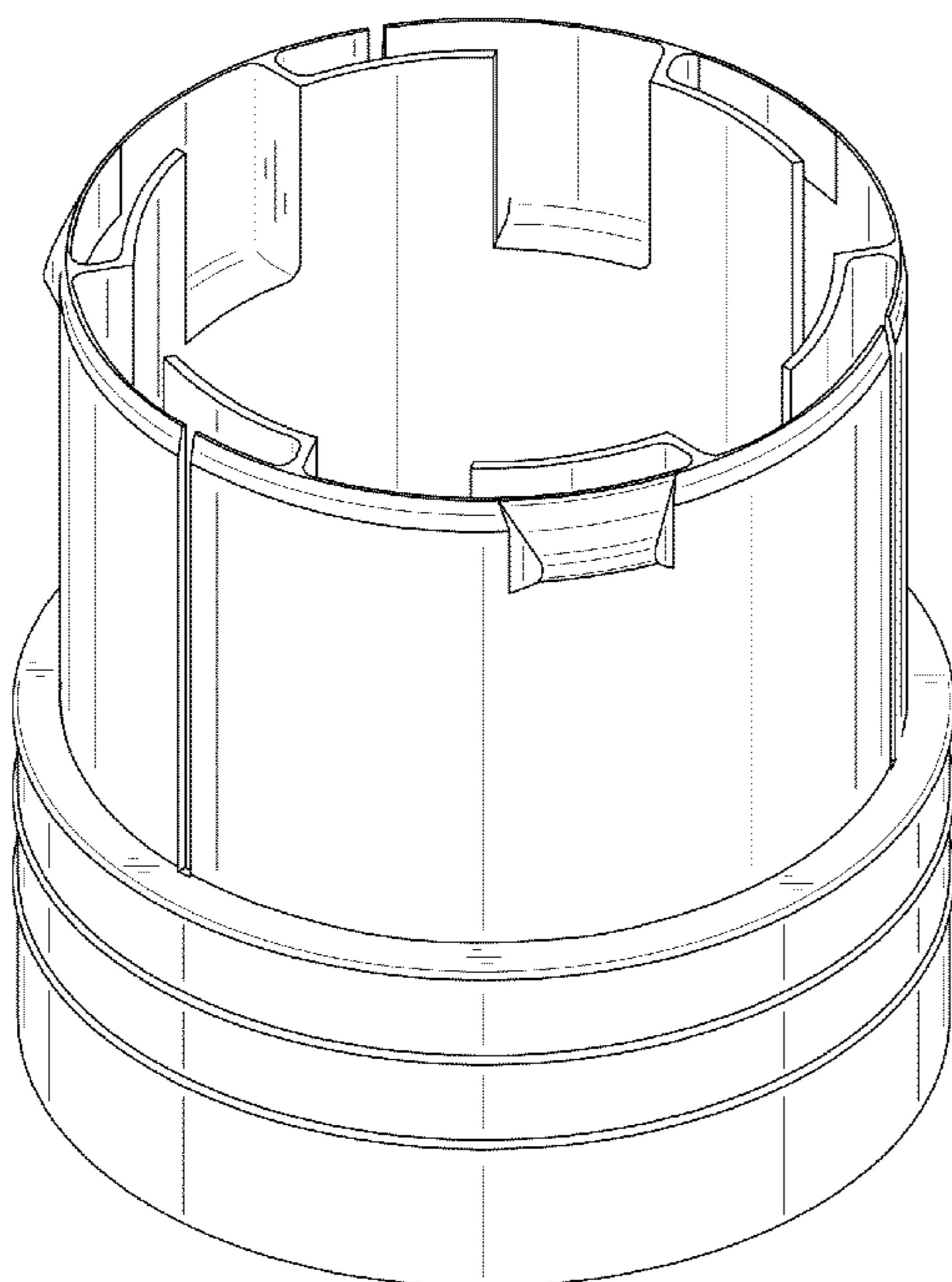


FIG. 1

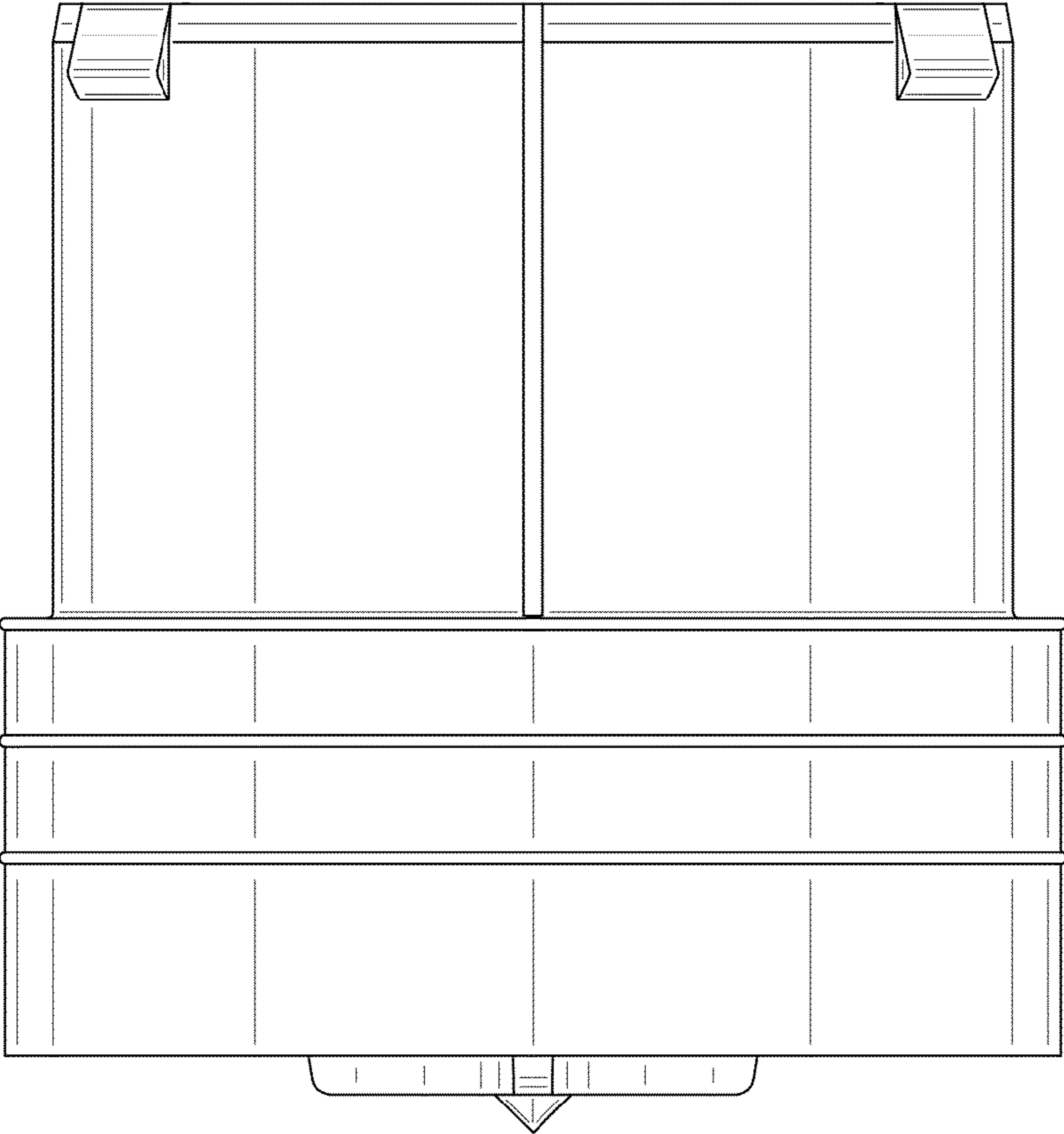


FIG.2

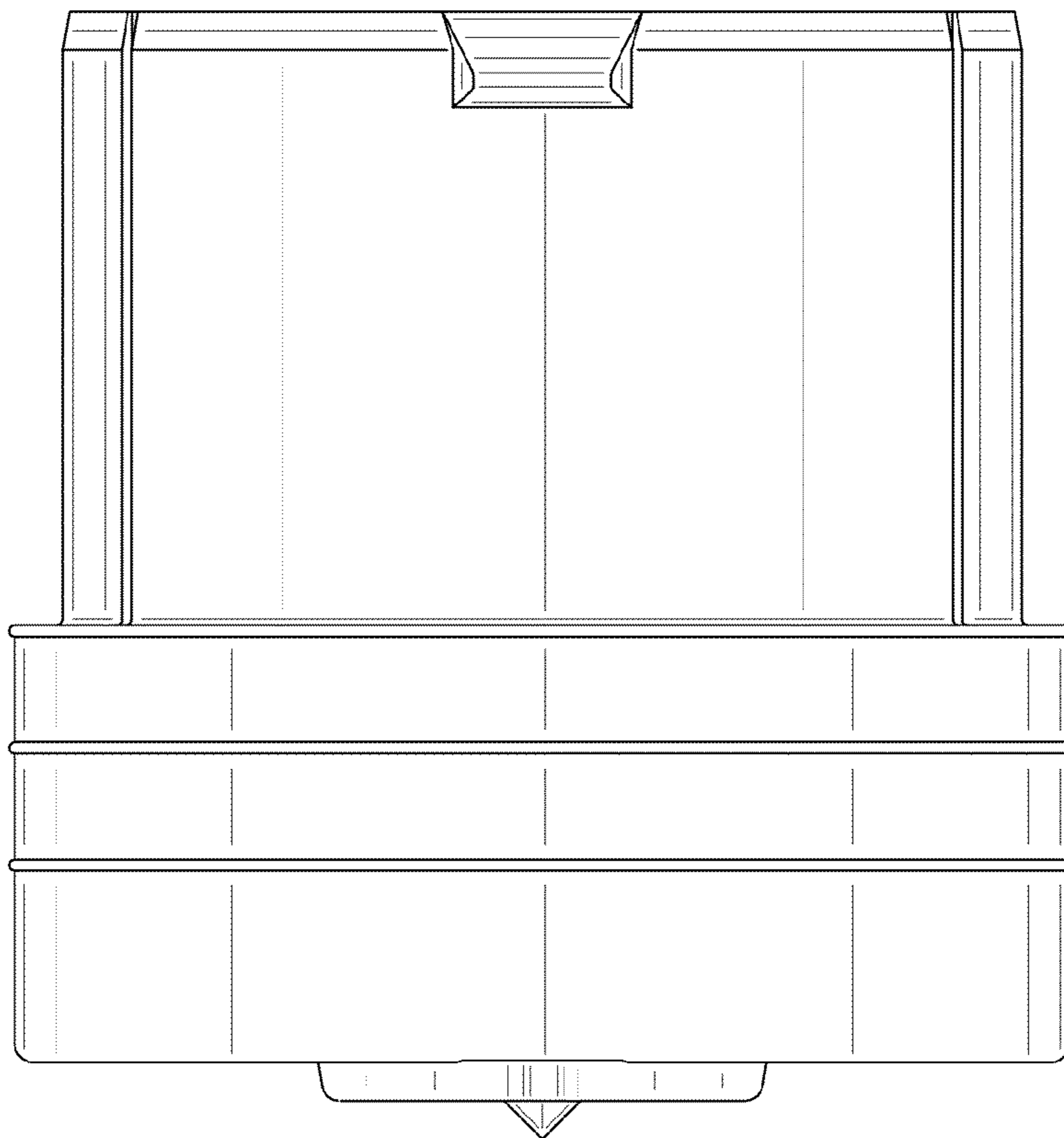


FIG.3

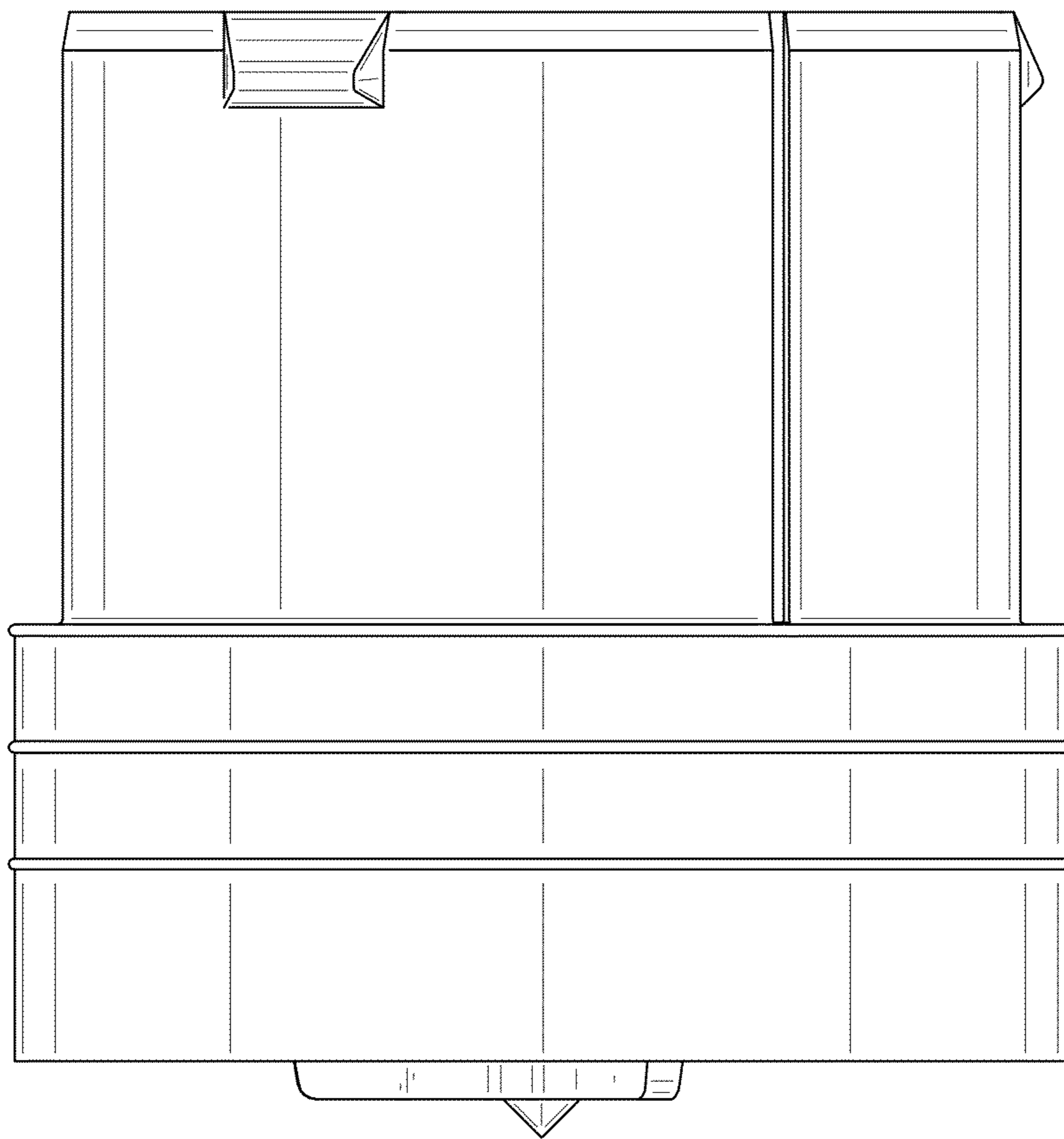


FIG.4

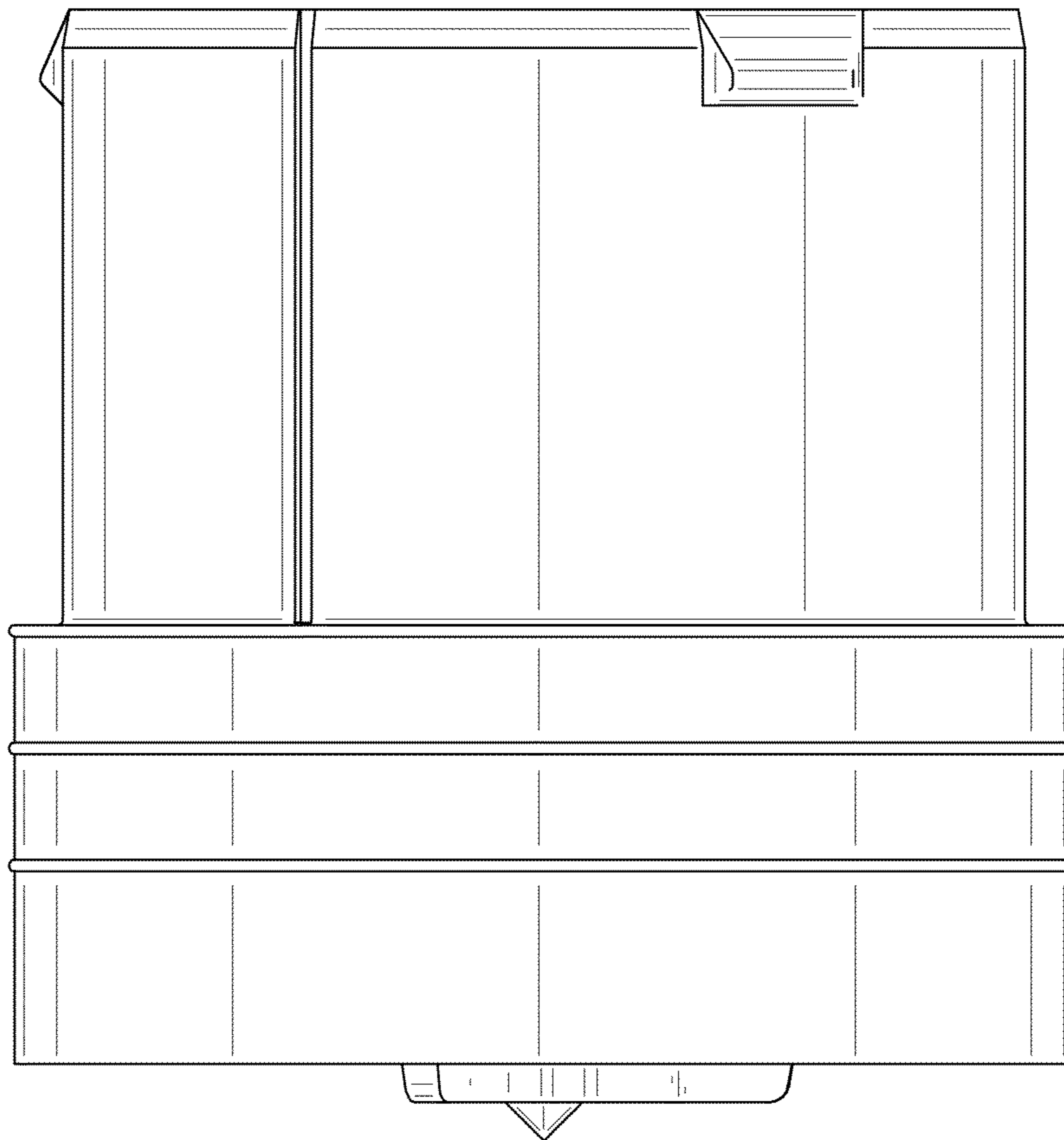


FIG.5

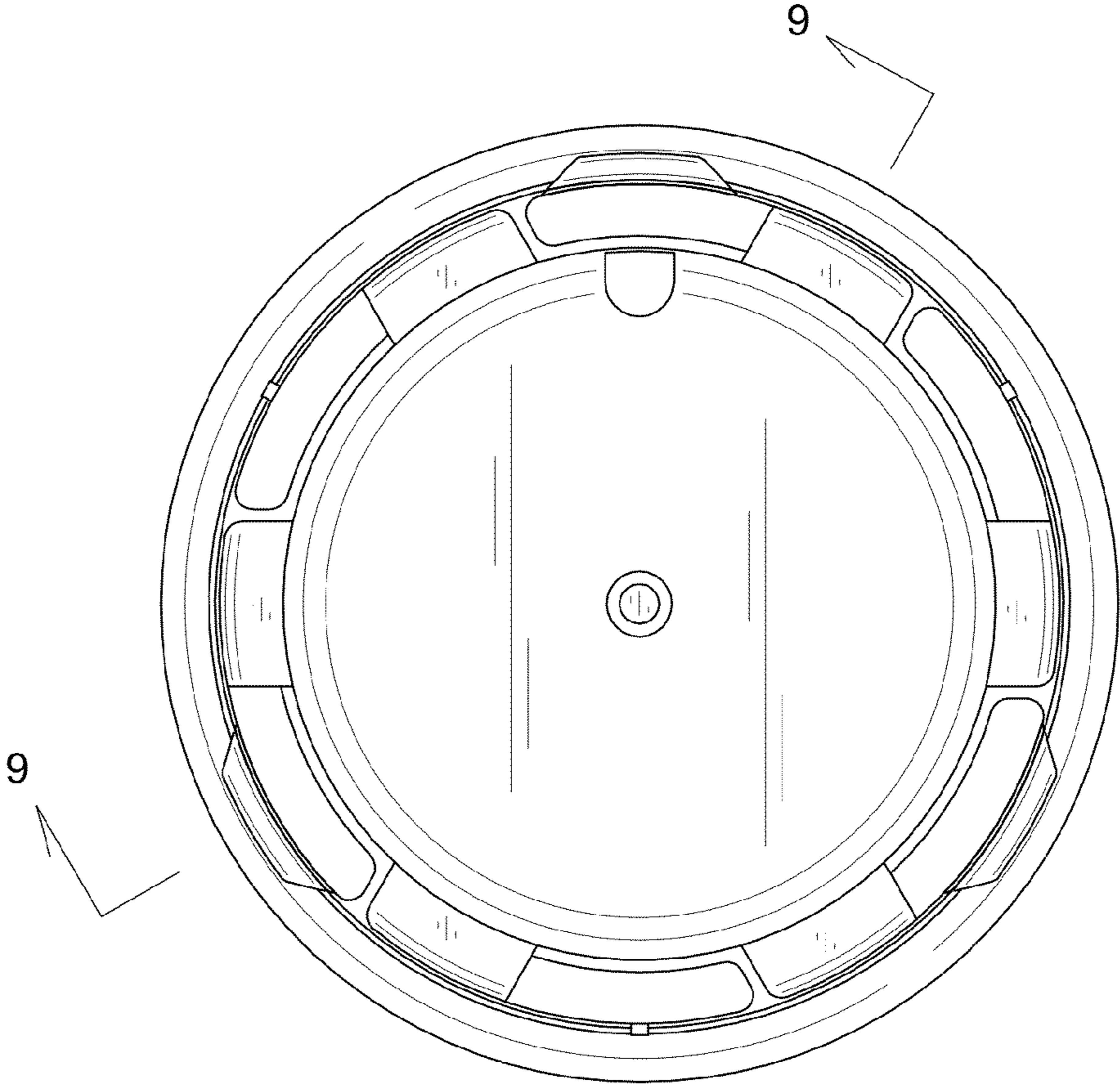


FIG.6

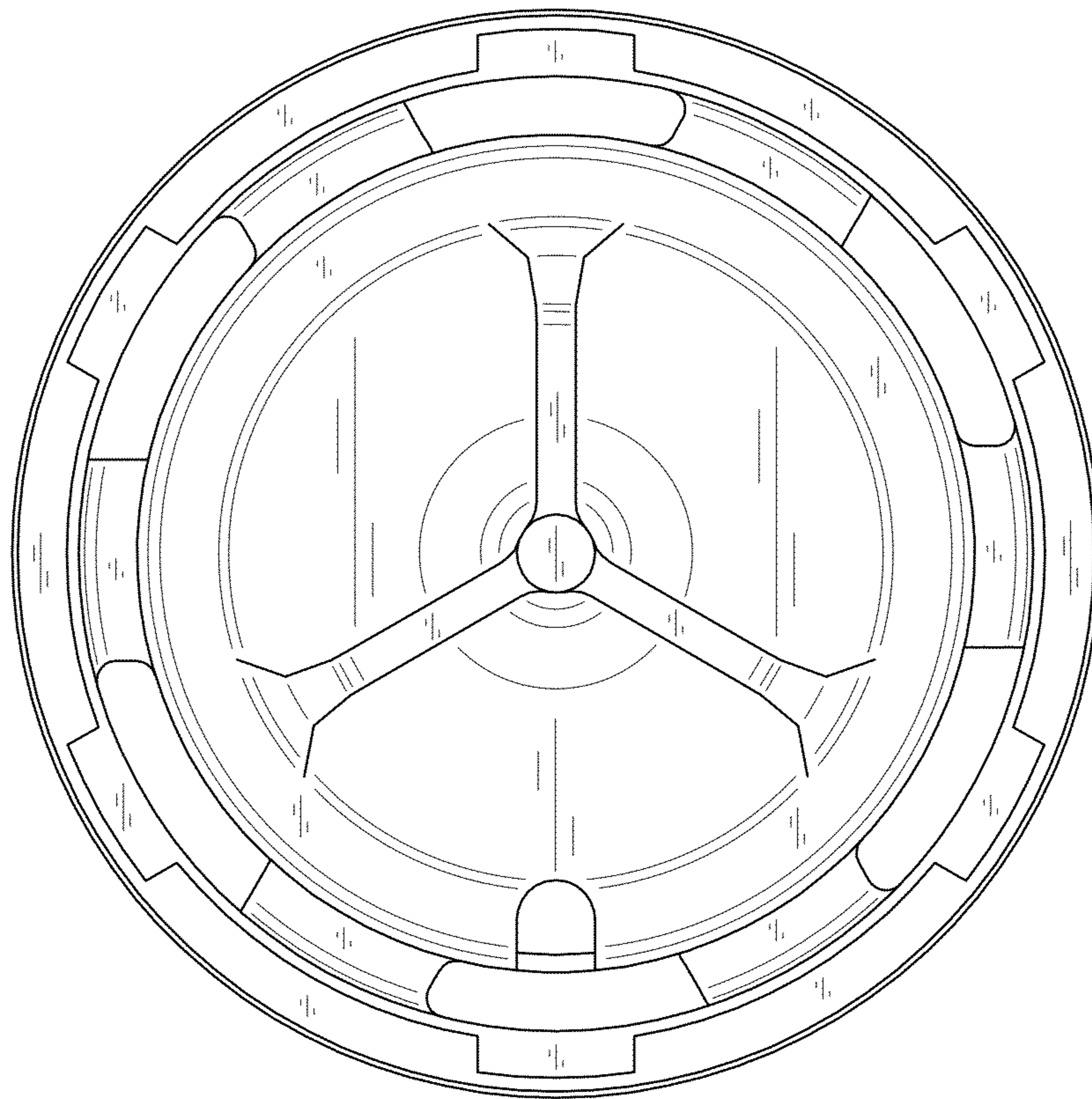


FIG.7

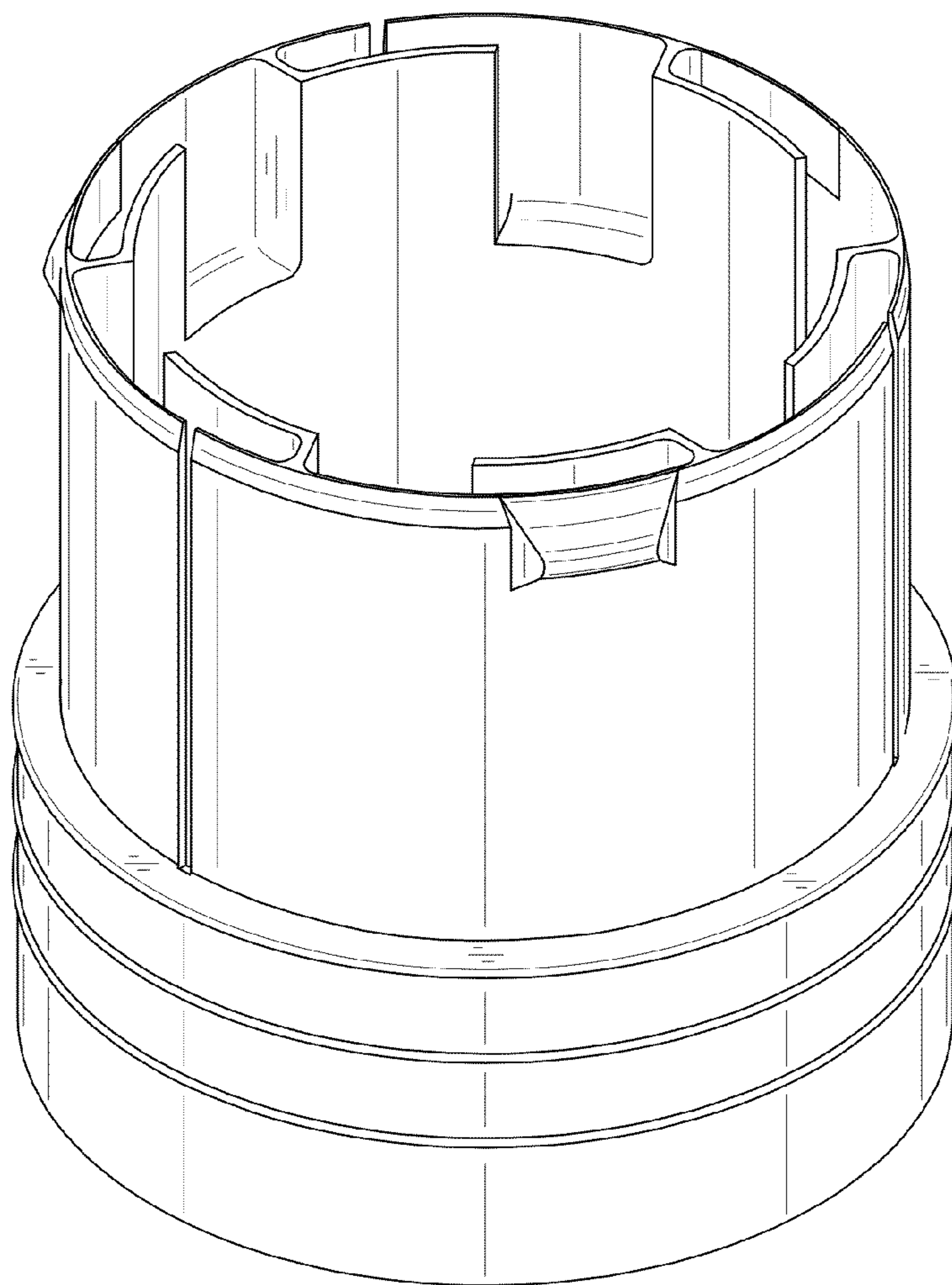


FIG.8

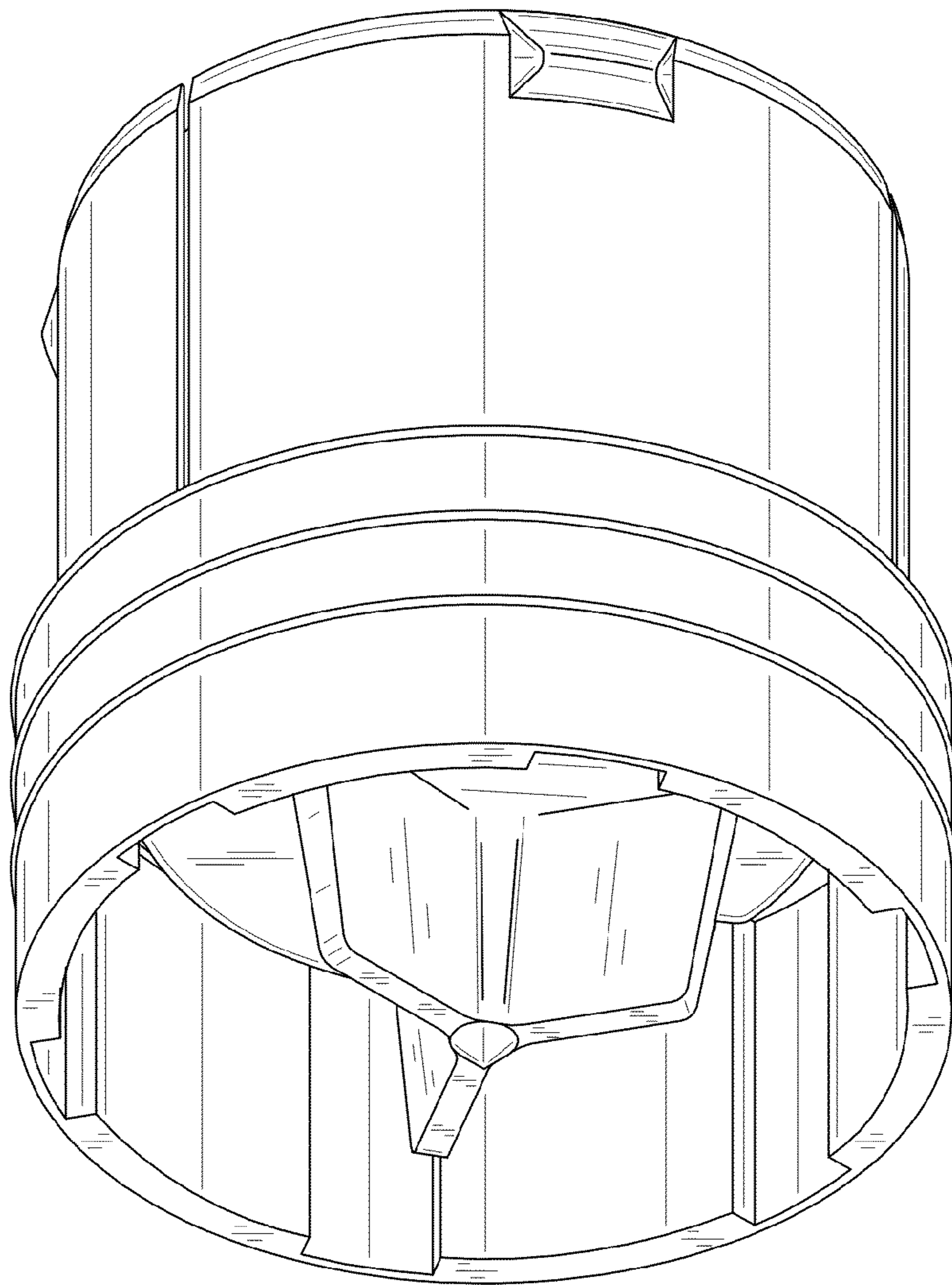


FIG.9

