

US00D721413S

(12) **United States Design Patent**
Zimmer et al.

(10) **Patent No.:** **US D721,413 S**

(45) **Date of Patent:** **** Jan. 20, 2015**

(54) **SUN SHELTER**

(71) Applicants: **Zach Zimmer**, San Diego, CA (US);
Brian Cox, San Diego, CA (US)

(72) Inventors: **Zach Zimmer**, San Diego, CA (US);
Brian Cox, San Diego, CA (US)

(73) Assignee: **LSO, LP**, San Diego, CA (US)

(**) Term: **14 Years**

(21) Appl. No.: **29/441,357**

(22) Filed: **Jan. 4, 2013**

(51) **LOC (10) Cl.** **21-04**

(52) **U.S. Cl.**
USPC **D21/837**

(58) **Field of Classification Search**
USPC D21/834, 837, 839; D25/22, 56, 61;
52/86, 90.1, 93.1; 125/87, 121, 122,
125/124, 136, 143, 156, 160, 117
See application file for complete search history.

(56) **References Cited**

U.S. PATENT DOCUMENTS

4,646,770	A *	3/1987	Lobato	135/137
D318,706	S *	7/1991	Norman	D21/837
D327,524	S *	6/1992	Kim	D21/834
D381,058	S *	7/1997	Lowenthal	D21/838
D384,125	S *	9/1997	Griffin	D21/834
D400,949	S *	11/1998	Gale	D21/834

D401,983	S *	12/1998	Lowenthal	D21/834
6,109,281	A *	8/2000	Lowenthal	135/125
6,942,005	B2 *	9/2005	Le Gette et al.	160/368.1
D652,885	S *	1/2012	Frey	D21/834
8,087,423	B2 *	1/2012	Knipschild	135/125
D661,362	S *	6/2012	Zimmer	D21/834

* cited by examiner

Primary Examiner — Cynthia M Chin

(74) *Attorney, Agent, or Firm* — Steven C. Tietsworth, Esq.

(57) **CLAIM**

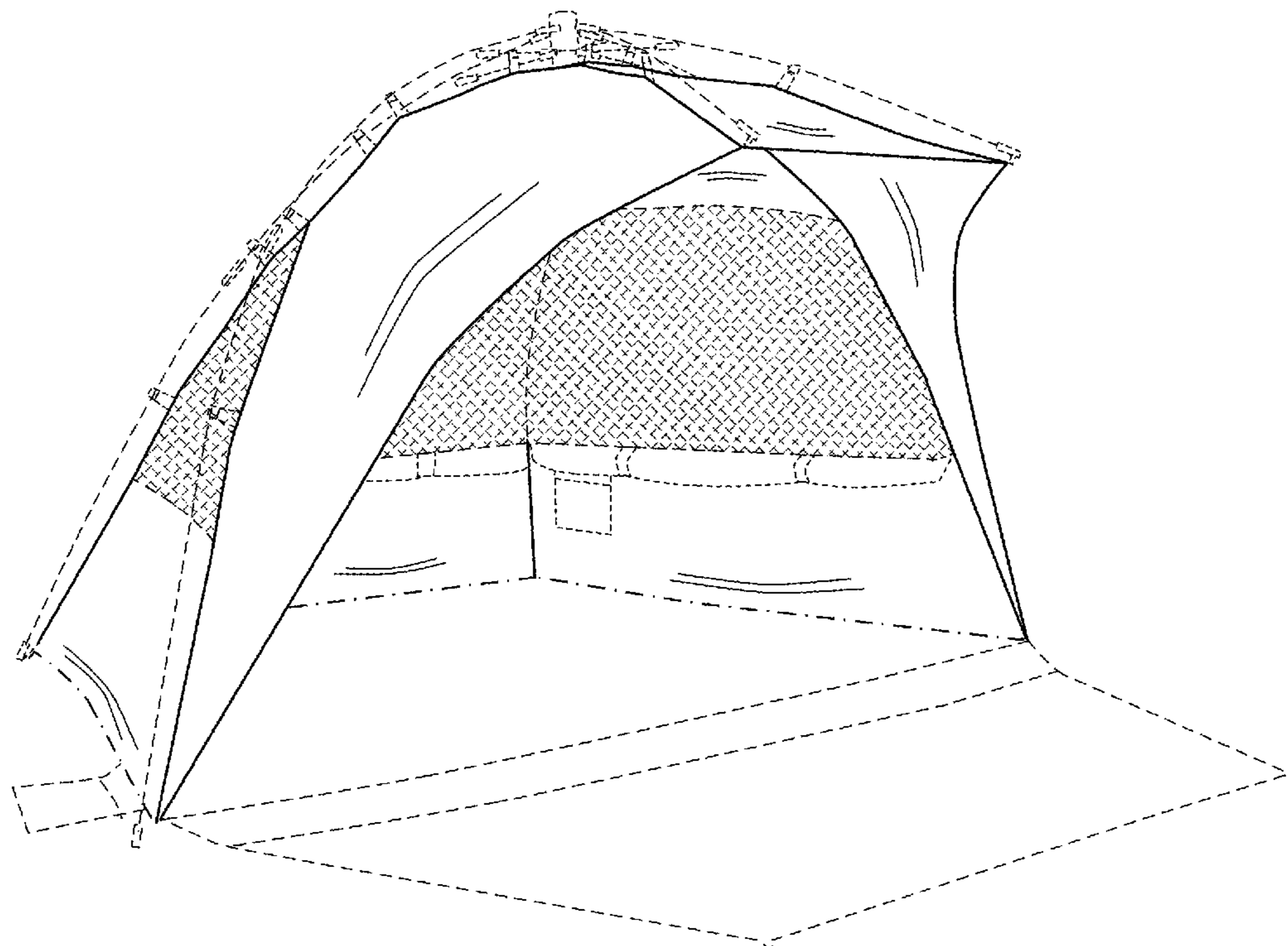
The ornamental design for a sun shelter, as shown and described.

DESCRIPTION

FIG. 1 is a perspective view of our sun shelter;
FIG. 2 is a front view thereof;
FIG. 3 is a rear view thereof;
FIG. 4 is a left side view thereof;
FIG. 5 is a right side view thereof;
FIG. 6 is a top view thereof; and,
FIG. 7 is a bottom view thereof.

The dash-dot broken lines immediately adjacent the shaded areas represent the bounds of the claim. All other broken lines, including the mesh/screened areas, represent unclaimed portions of the sun shelter. None of the broken lines form a part of the claimed design.

1 Claim, 7 Drawing Sheets



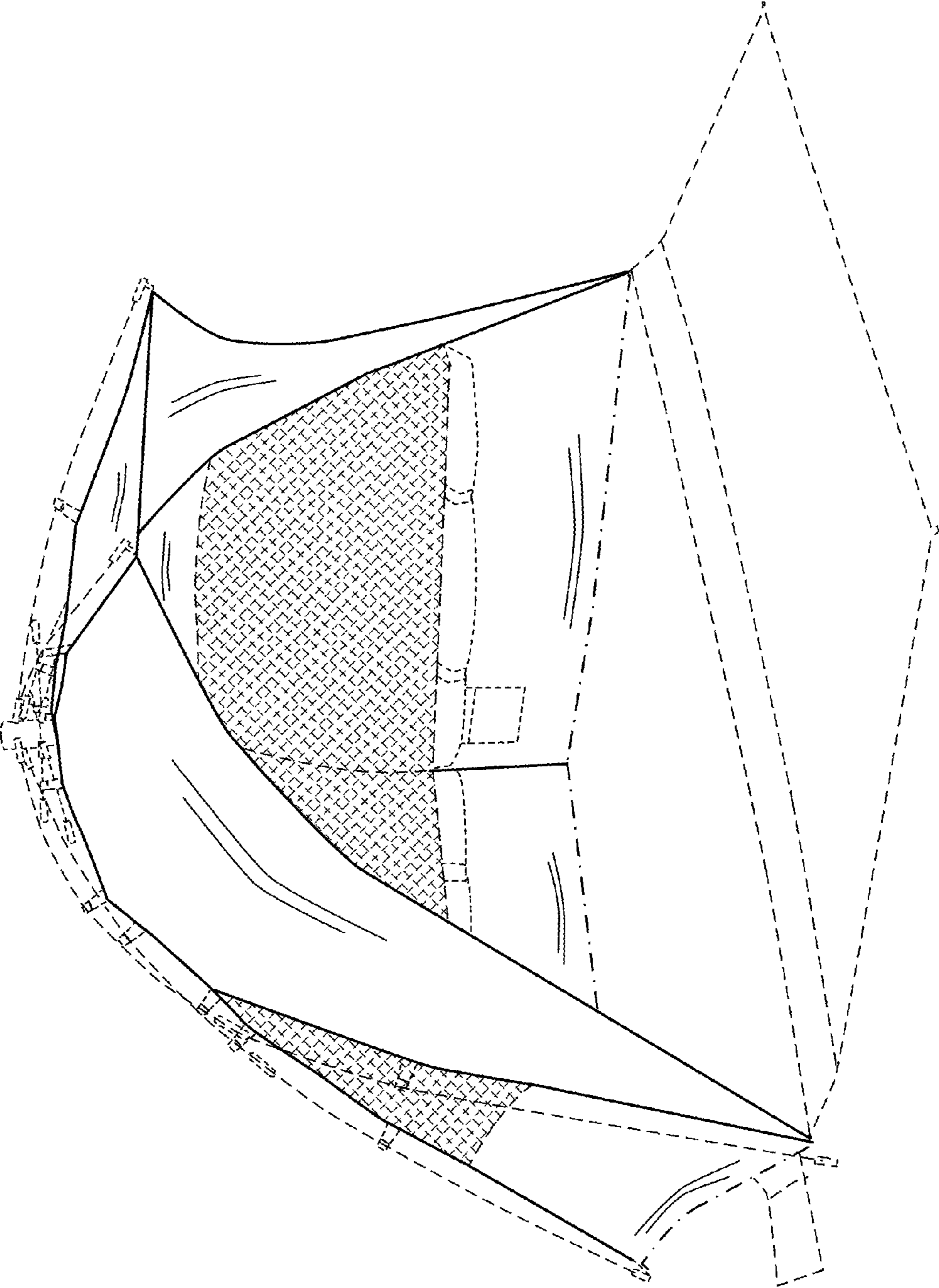


FIG. 1

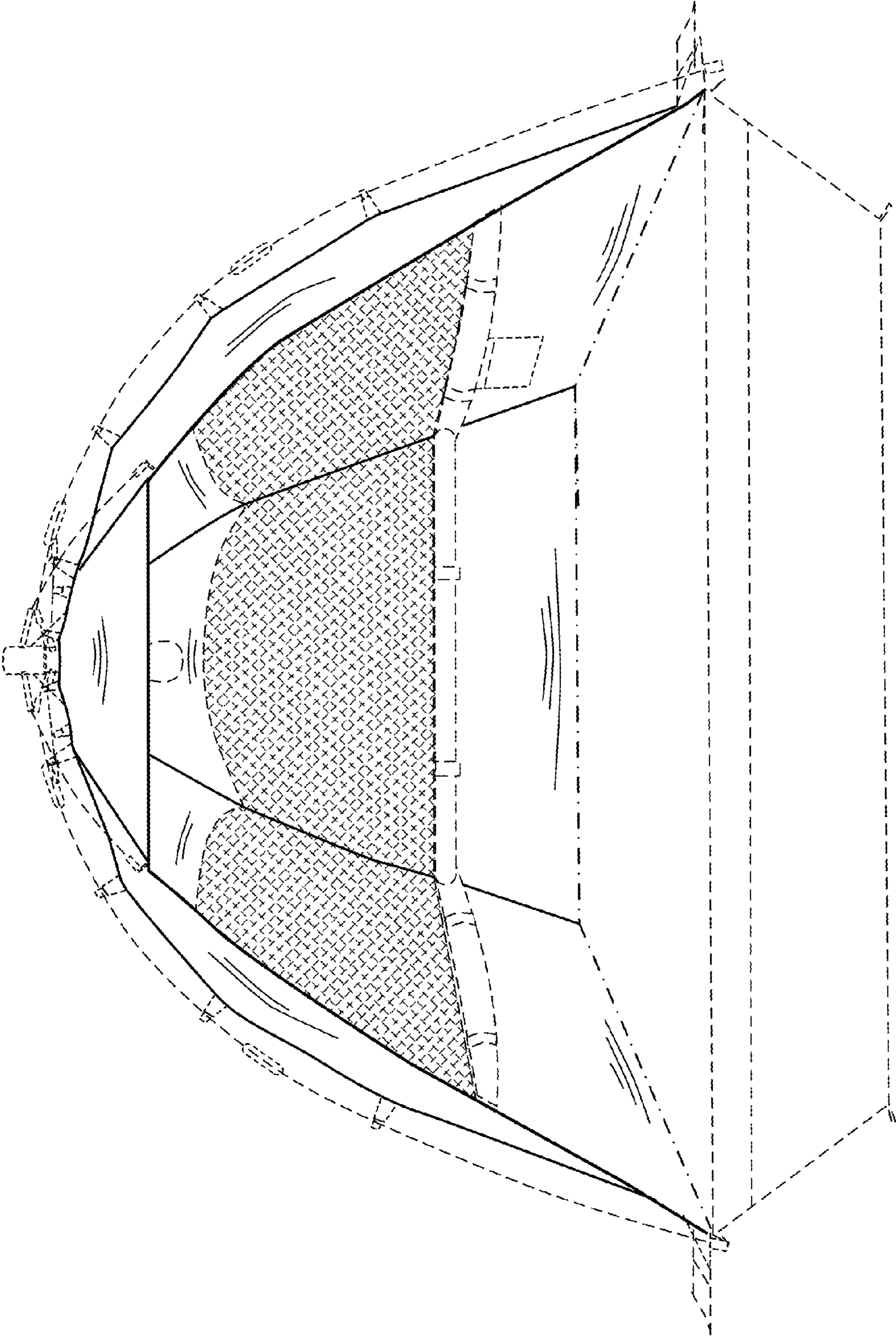


FIG. 2

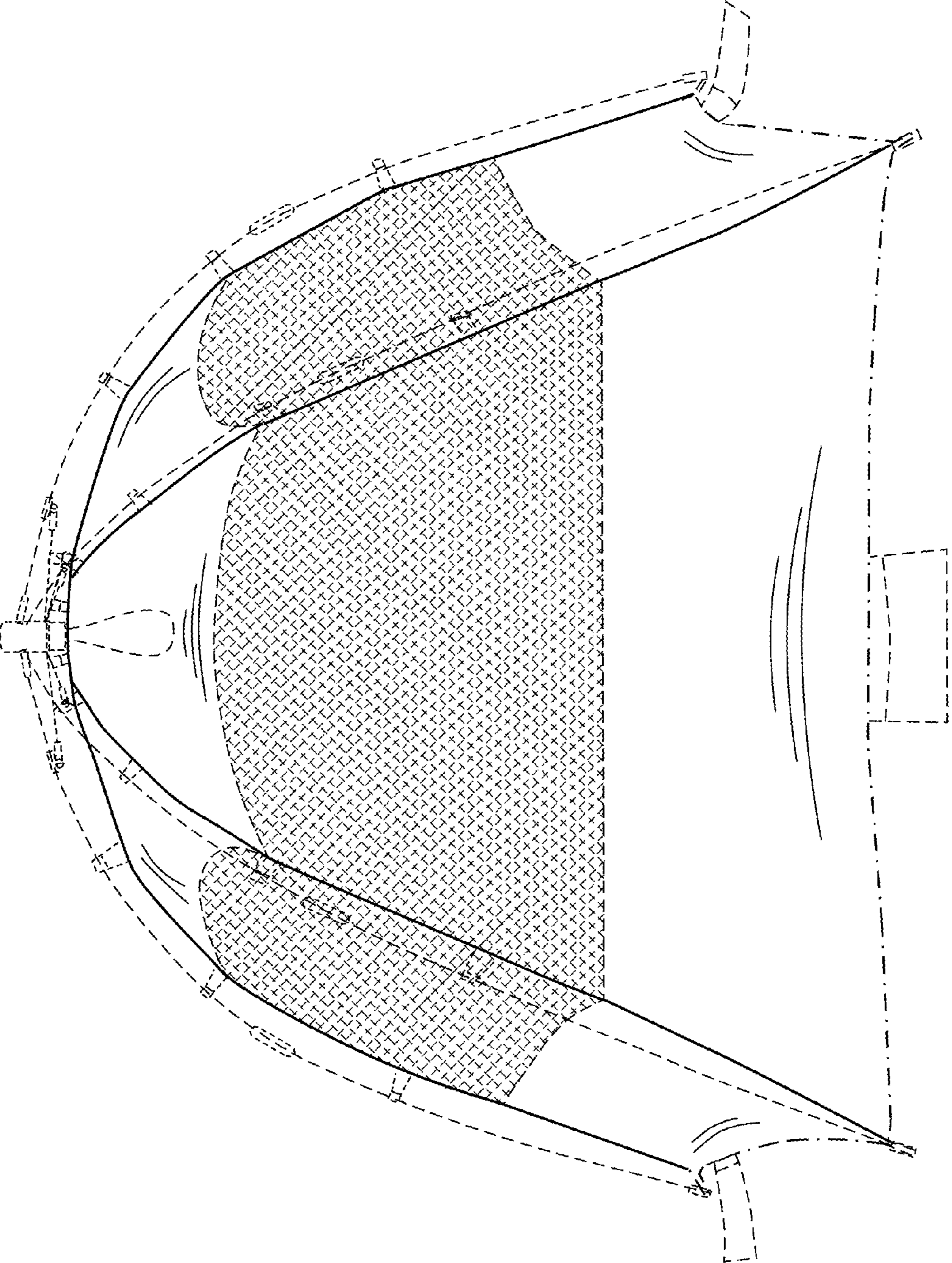


FIG. 3

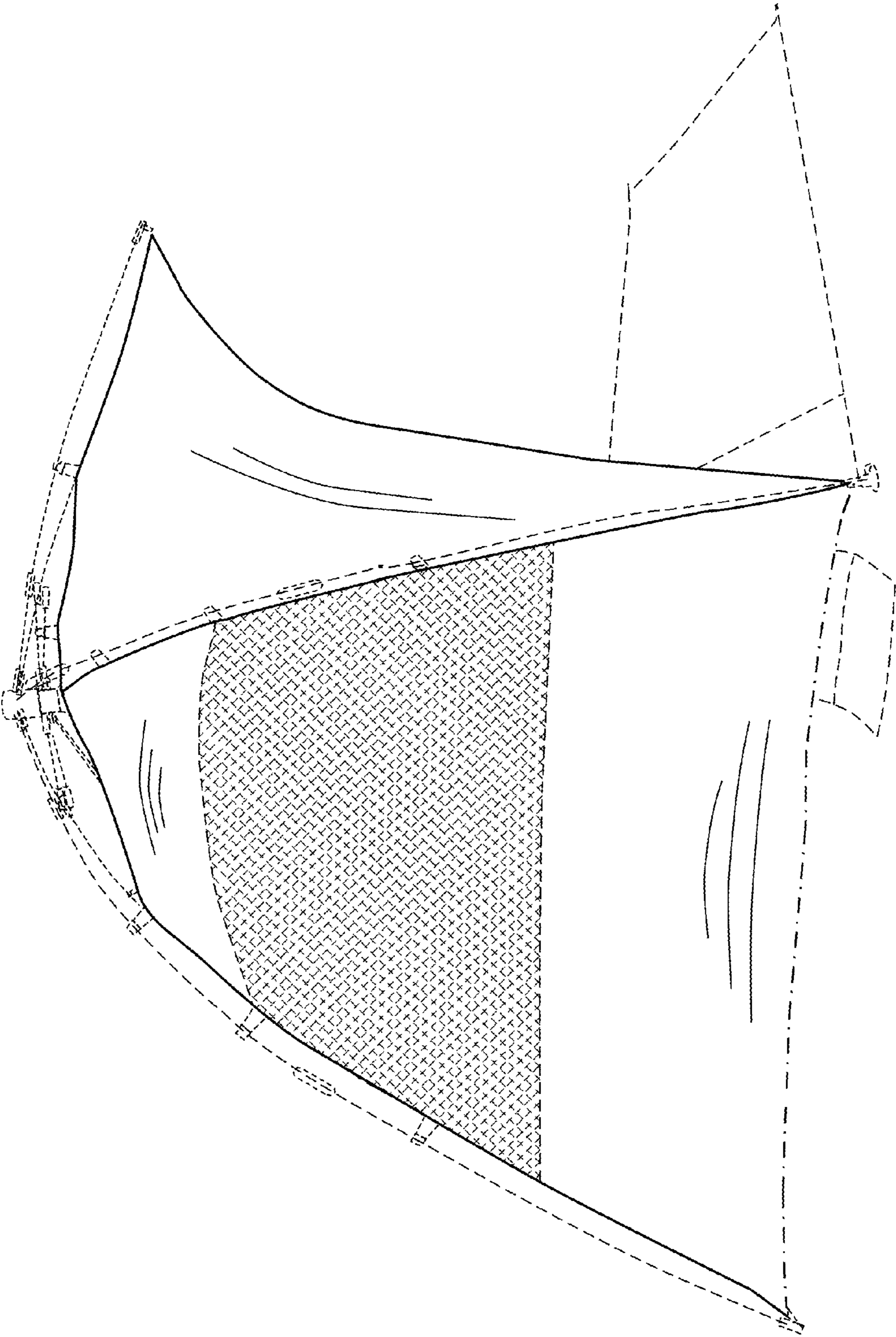


FIG. 4

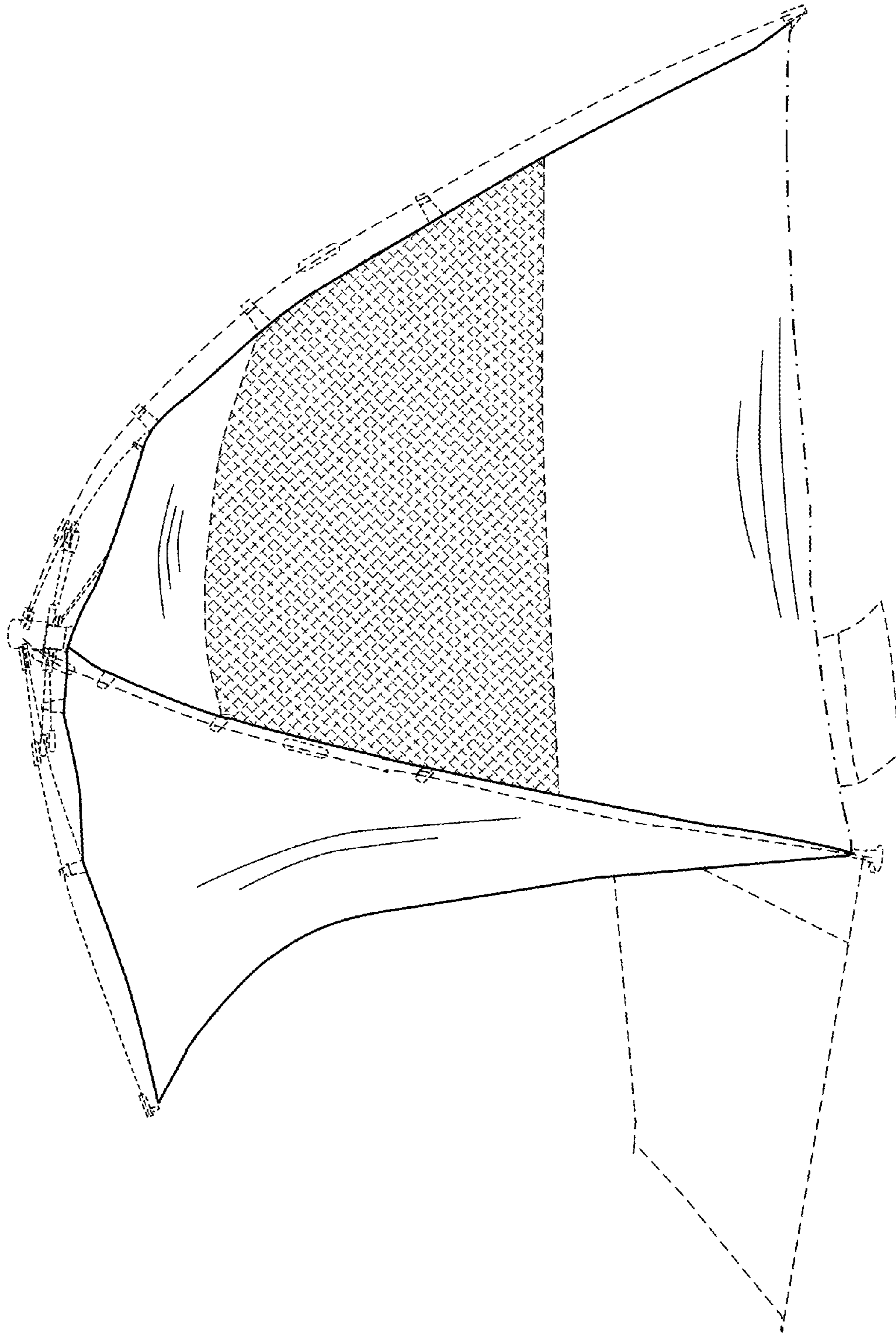


FIG. 5

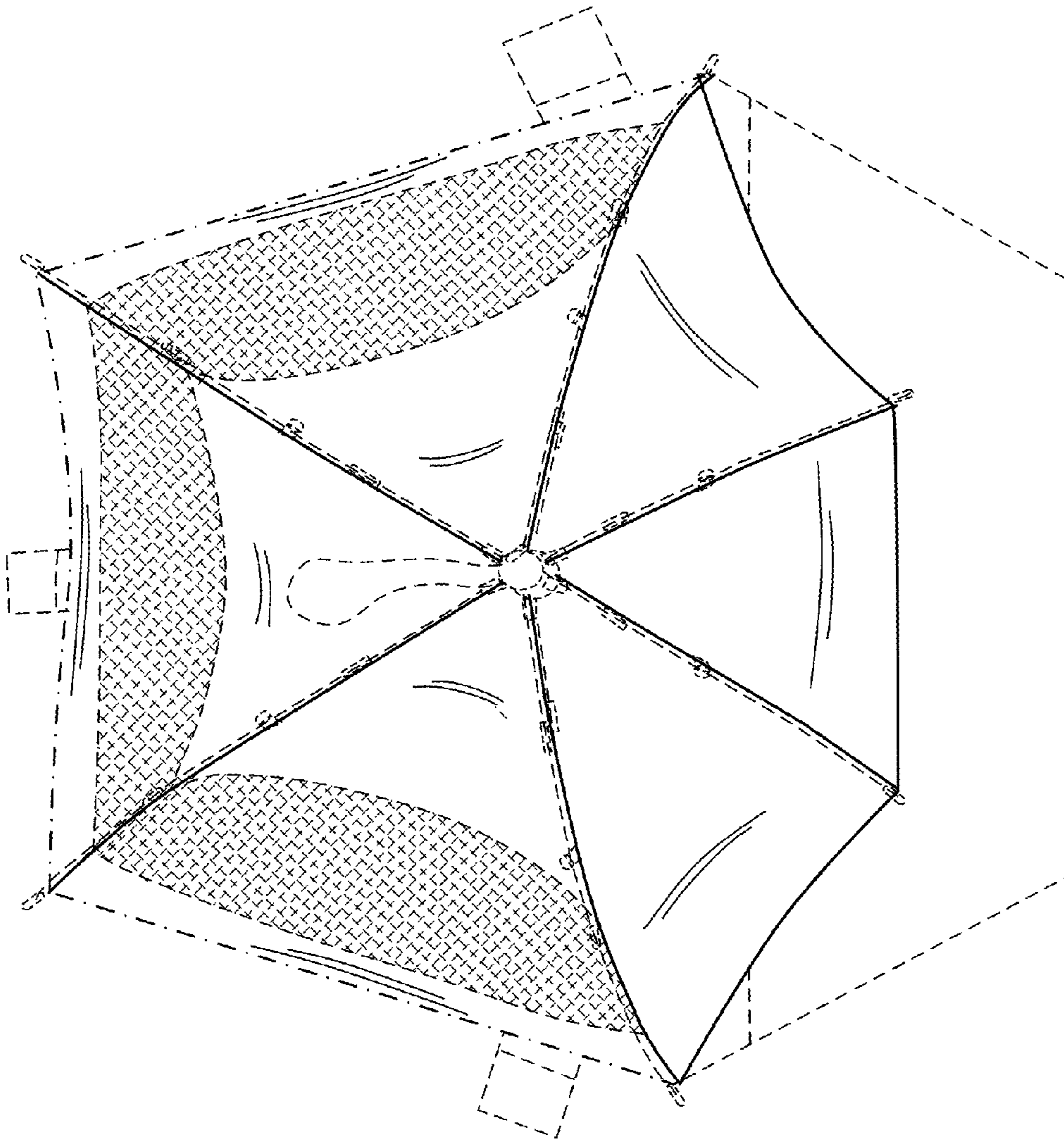


FIG. 6

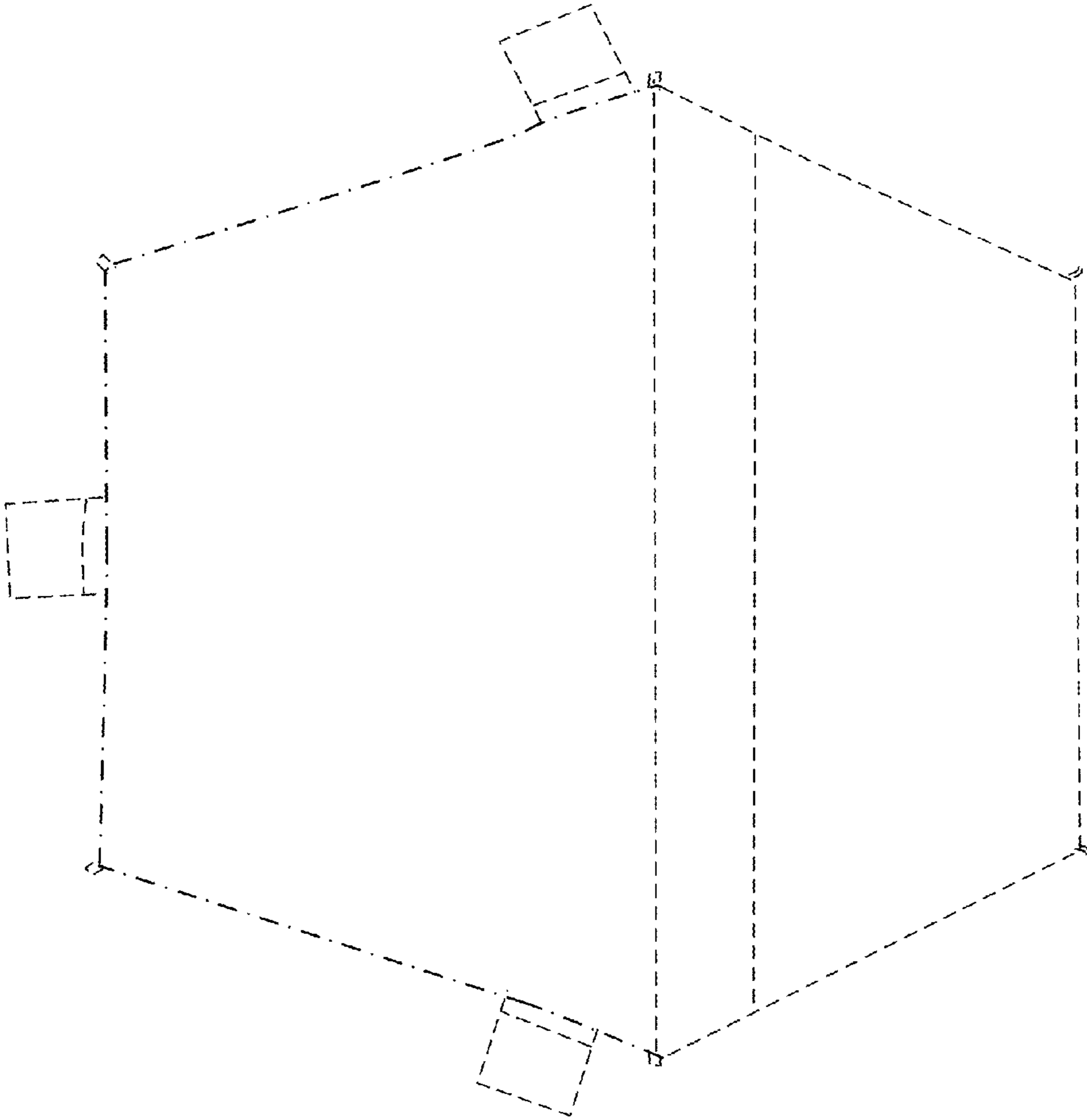


FIG. 7