



US00D721411S

(12) **United States Design Patent**
Orlando

(10) **Patent No.:** **US D721,411 S**
(45) **Date of Patent:** **** Jan. 20, 2015**

- (54) **MARTIAL ARTS HAND GUARD**
- (71) Applicant: **Moo Shim Enterprises, LLC**, Palm Harbor, FL (US)
- (72) Inventor: **Gerardo Orlando**, Palm Harbor, FL (US)
- (73) Assignee: **Moo Shim Enterprises, LLC**, Palm Harbor, FL (US)
- (**) Term: **14 Years**
- (21) Appl. No.: **29/437,493**
- (22) Filed: **Nov. 16, 2012**
- (51) **LOC (10) Cl.** **21-02**
- (52) **U.S. Cl.**
USPC **D21/798**
- (58) **Field of Classification Search**
CPC A63B 69/02; A63B 69/28; A63B 69/26
USPC D21/221, 798; D29/113, 116.1; 482/83, 482/87, 88
See application file for complete search history.

4,883,635	A *	11/1989	Goradesky	482/83
5,415,371	A *	5/1995	Kirchner	248/316.4
5,447,308	A *	9/1995	Girard	463/47.2
5,458,564	A *	10/1995	Franzen	602/21
6,186,906	B1 *	2/2001	Sullivan et al.	473/351
6,896,642	B1 *	5/2005	Brown	482/83
D515,652	S *	2/2006	McCreath	D21/798

* cited by examiner

Primary Examiner — Phillip S Hyder

(74) *Attorney, Agent, or Firm* — Andrew Rush; PCT Law Group, PLLC

(57) **CLAIM**

The ornamental design for a martial arts hand guard, as shown and described.

DESCRIPTION

FIG. 1 is a top view of a martial arts hand guard showing our new design;
 FIG. 2 is a bottom view thereof;
 FIG. 3 is a front view thereof;
 FIG. 4 is a rear view thereof;
 FIG. 5 is a side view thereof; the opposite side being a mirror image thereof;
 FIG. 6 is a front perspective view thereof; and,
 FIG. 7 is a perspective view of the martial arts hand guard of FIG. 1, depicting the martial arts hand guard being used to hold a board.

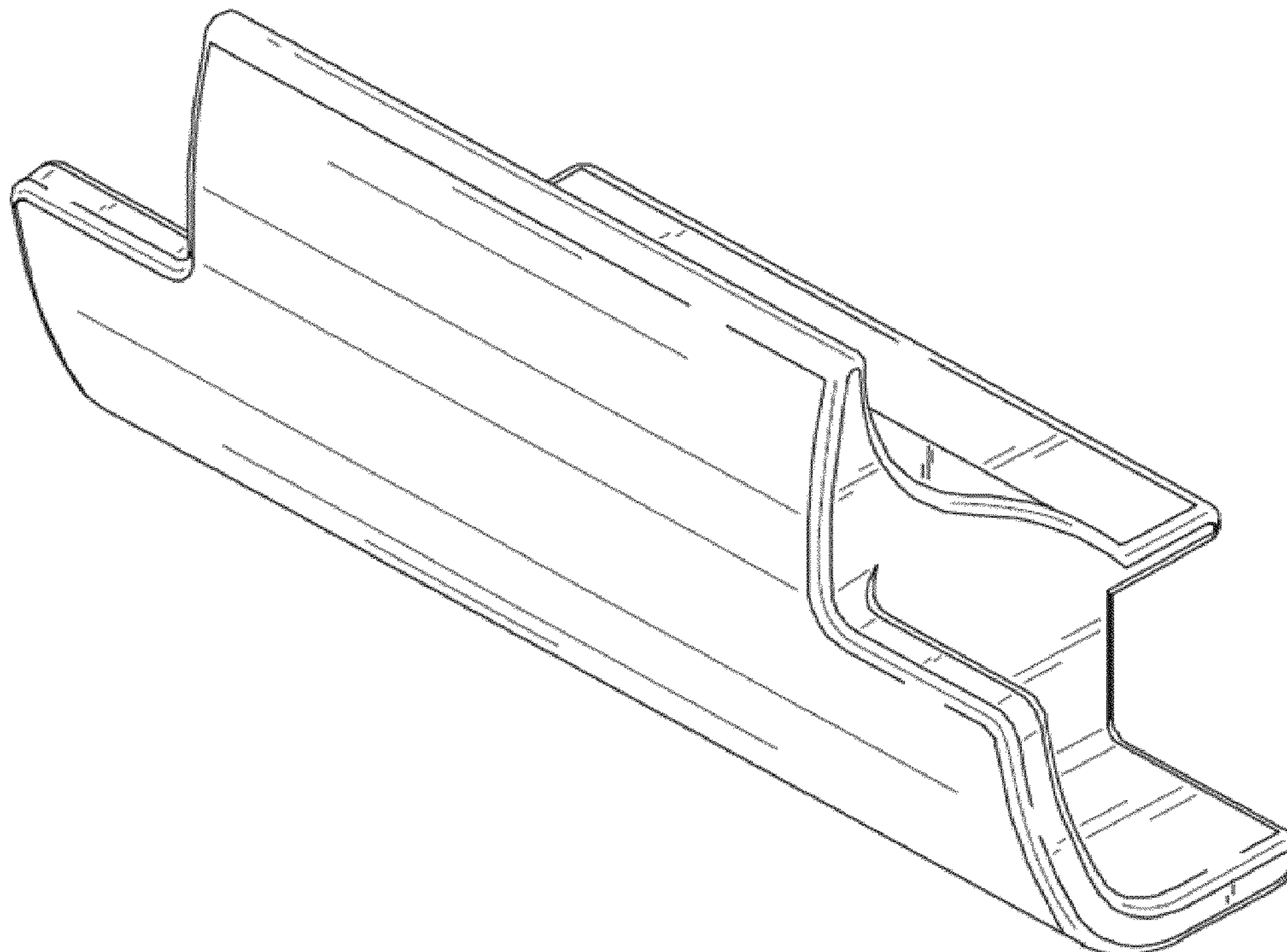
The broken lines depicting the second guard and the board are provided for purposes of environment and form no part of the claimed design.

1 Claim, 7 Drawing Sheets

(56) **References Cited**

U.S. PATENT DOCUMENTS

4,171,803	A *	10/1979	Smith	482/83
4,478,408	A *	10/1984	Bruckner	482/83
4,583,730	A *	4/1986	Gecht et al.	482/83
4,732,378	A *	3/1988	LeFebvre et al.	482/88
4,776,584	A *	10/1988	Tilley et al.	482/83



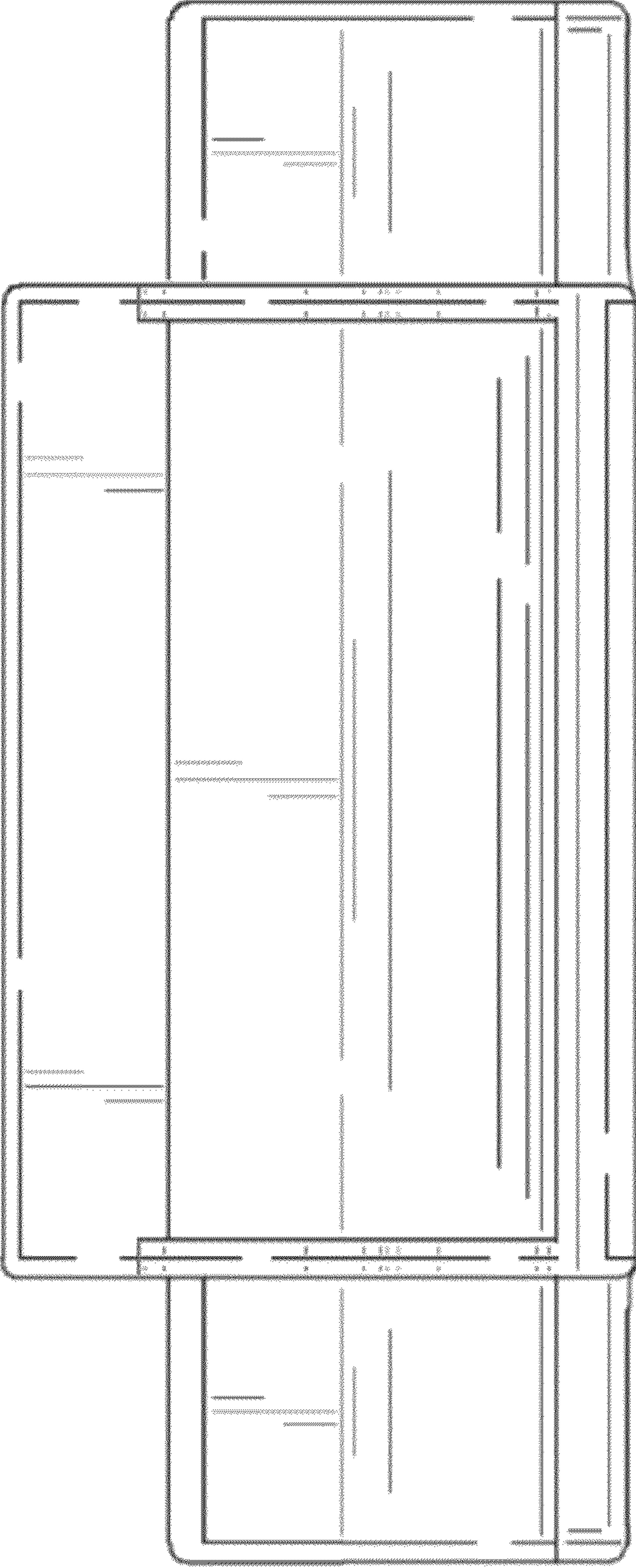


FIG. 1

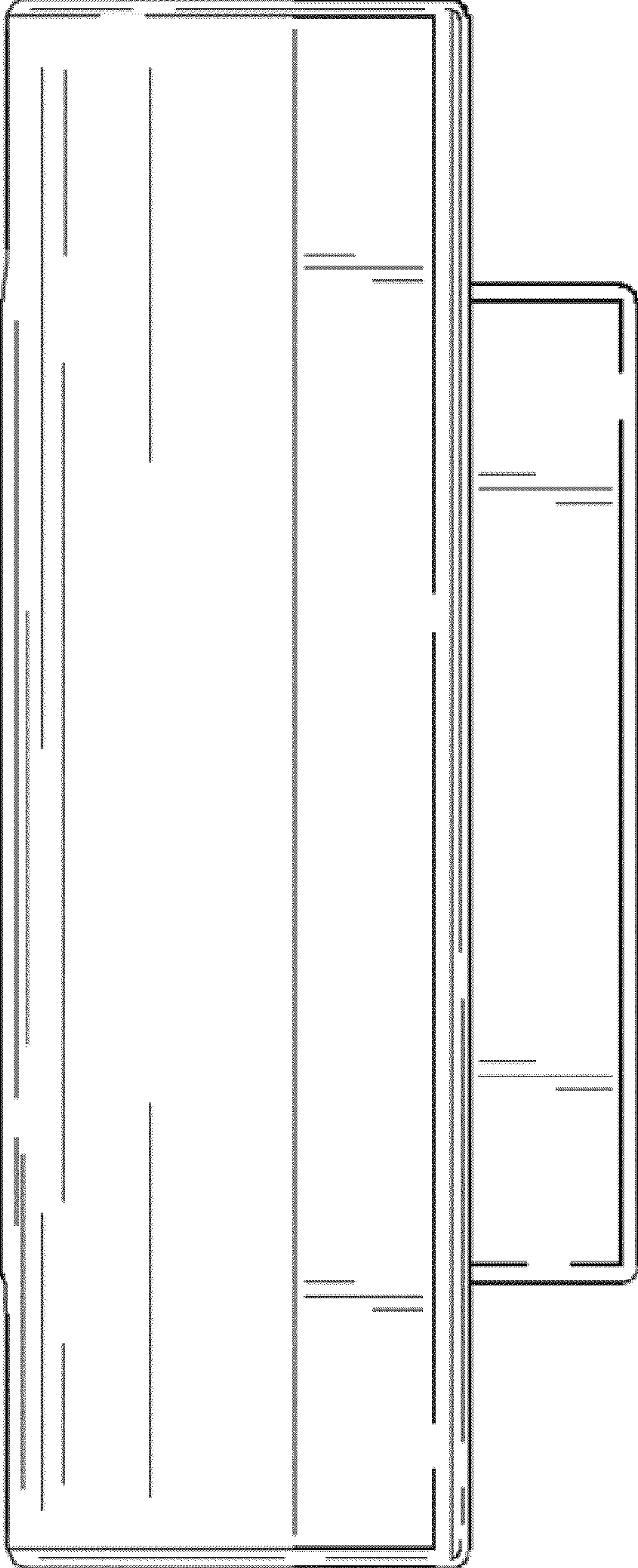


FIG. 2

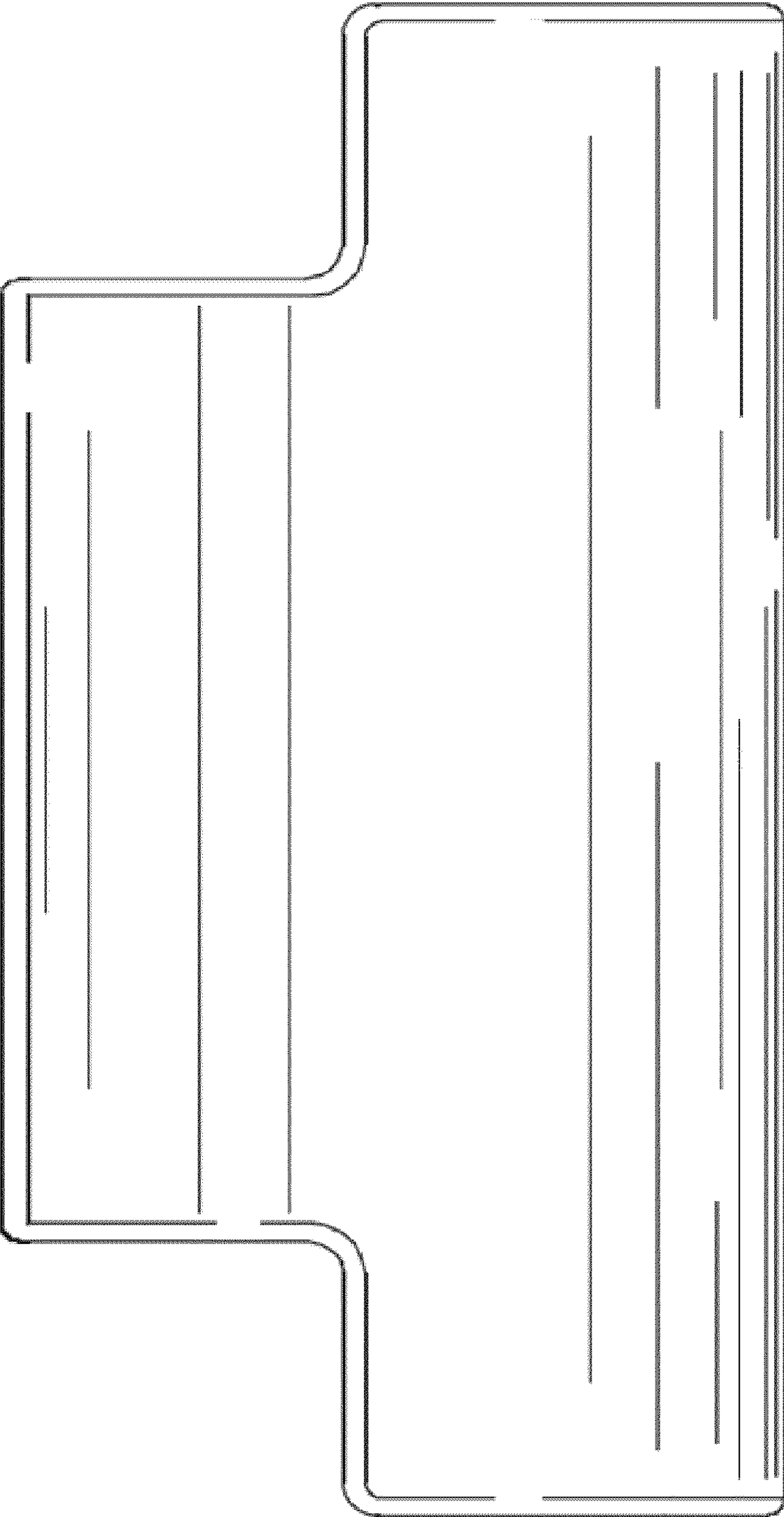


FIG. 3

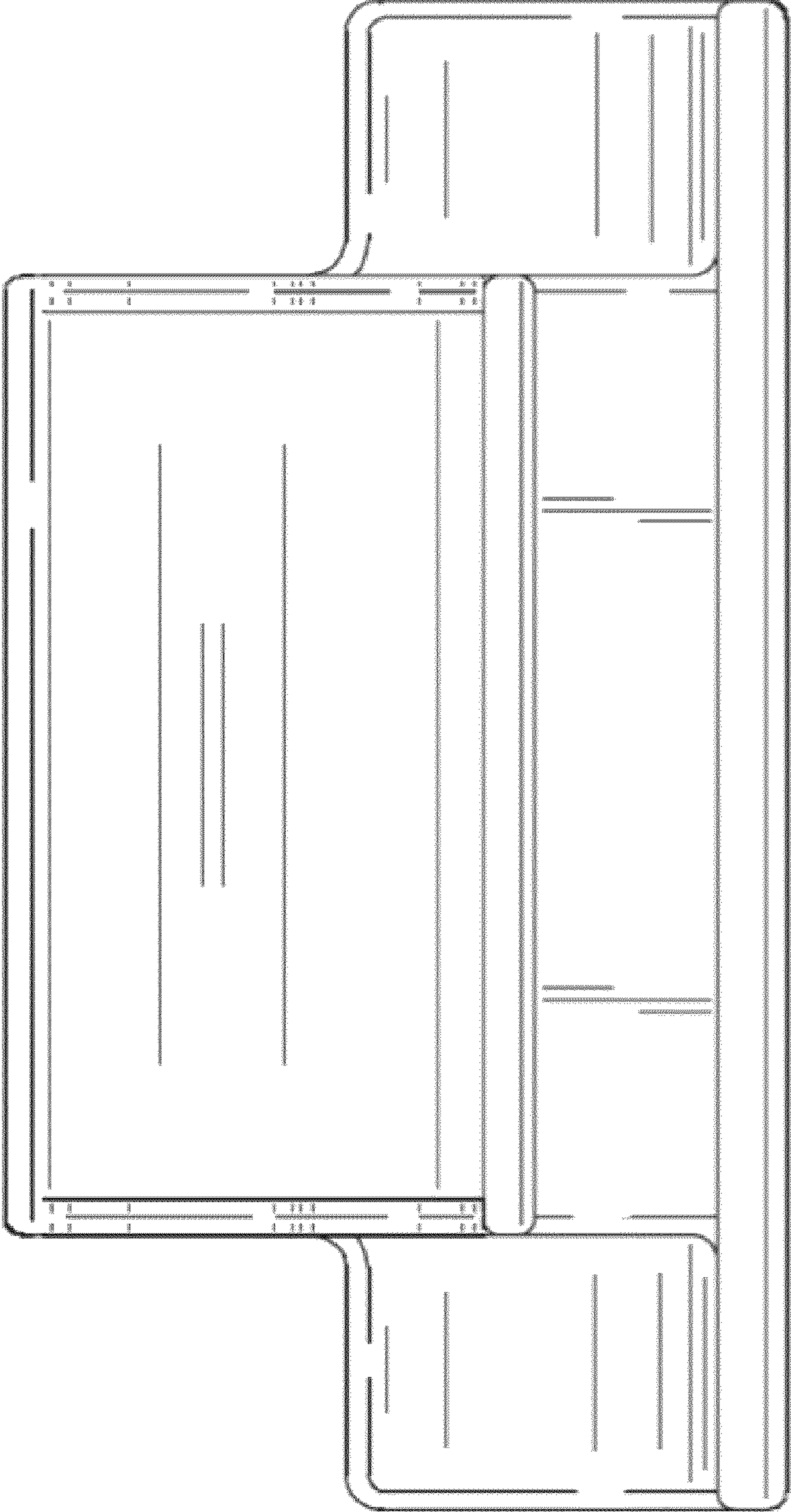


FIG. 4

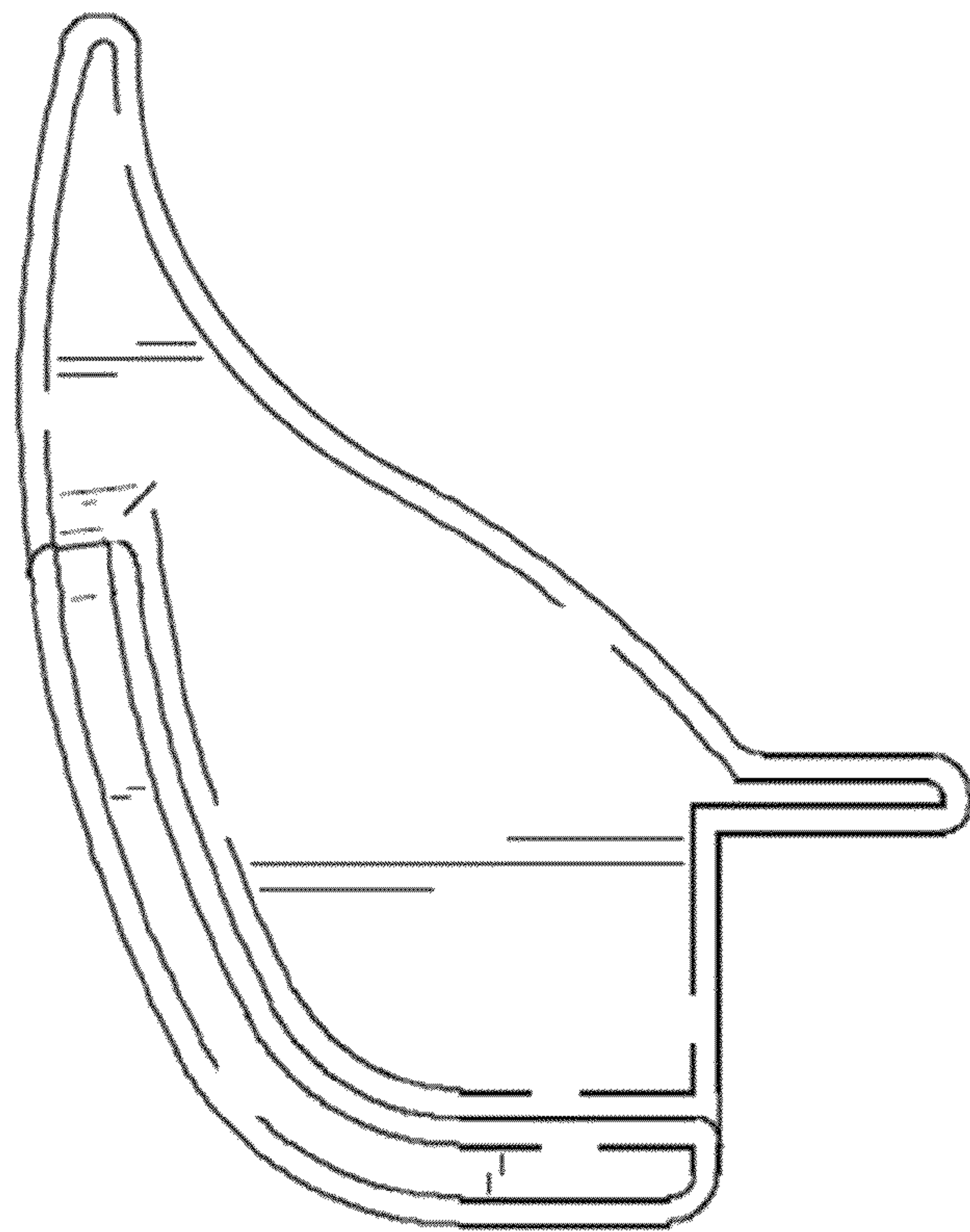


FIG. 5

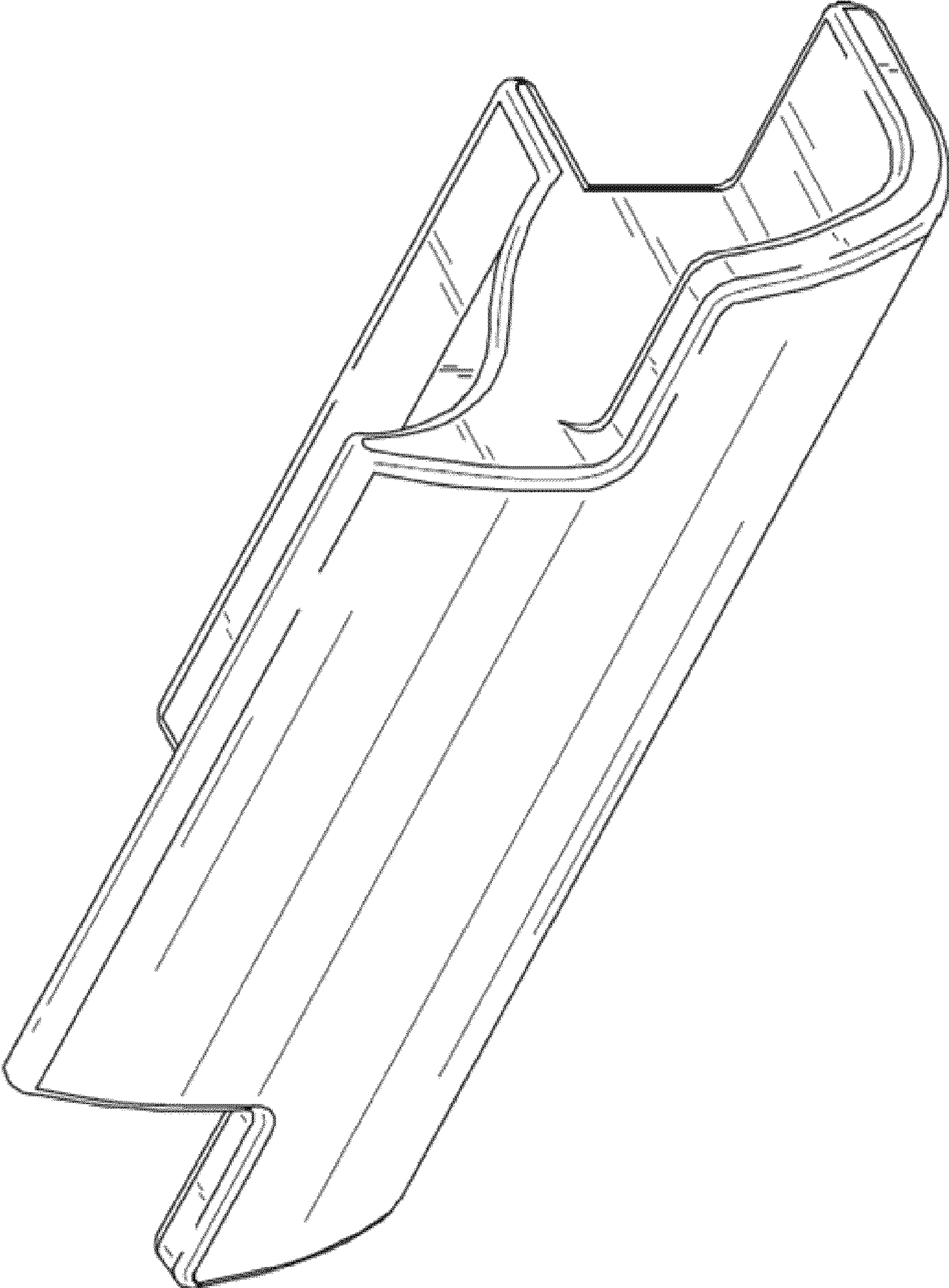


FIG. 6

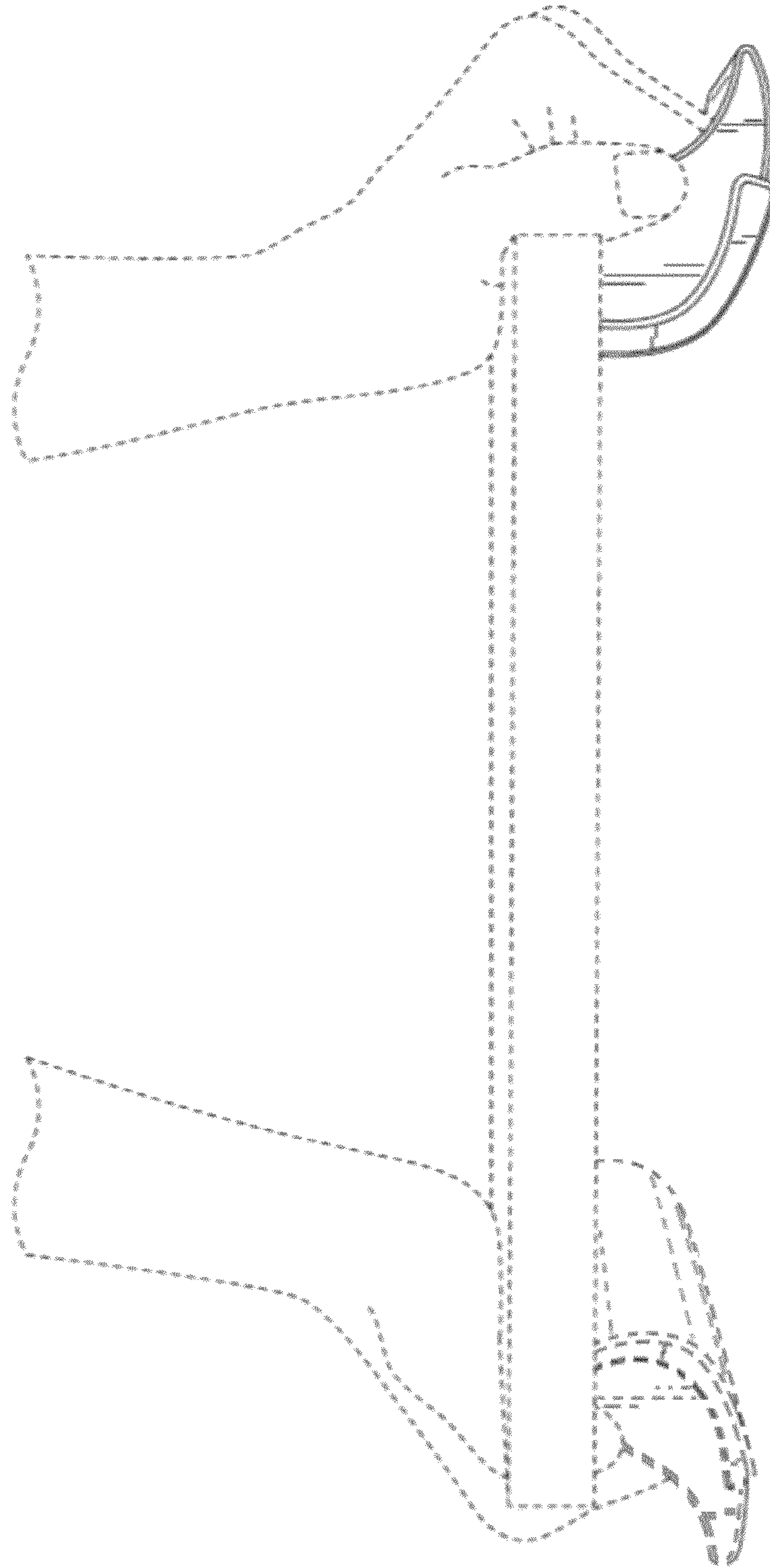


FIG. 7