



US00D721409S

(12) **United States Design Patent**  
**Fujioka et al.**

(10) **Patent No.:** **US D721,409 S**  
(45) **Date of Patent:** **\*\* Jan. 20, 2015**

(54) **TRANSFORMABLE AND INTERCONNECTABLE TOY**

(71) Applicants: **Robb Fujioka**, Manhattan Beach, CA (US); **Fuhu Holdings, Inc.**, El Segundo, CA (US)

(72) Inventors: **Robb Fujioka**, Manhattan Beach, CA (US); **Nicholas Stephen Berry**, Torrance, CA (US)

(\*\*) Term: **14 Years**

(21) Appl. No.: **29/457,253**

(22) Filed: **Jun. 7, 2013**

(51) **LOC (10) Cl.** ..... **21-01**

(52) **U.S. Cl.**  
USPC ..... **D21/579; D21/584**

(58) **Field of Classification Search**  
USPC ..... D6/598; D11/158; D21/576-585, 615, D21/650; 446/72-73, 97-98, 268, 369; D30/160

See application file for complete search history.

(56) **References Cited**

U.S. PATENT DOCUMENTS

D286,800 S *	11/1986	Maruyama	.....	D21/584
D558,281 S *	12/2007	Sato et al.	.....	D21/579
D564,048 S *	3/2008	Sato et al.	.....	D21/584
D589,569 S *	3/2009	Sato et al.	.....	D21/584
D590,453 S *	4/2009	Sato et al.	.....	D21/584
D590,454 S *	4/2009	Sato et al.	.....	D21/584
D590,455 S *	4/2009	Sato et al.	.....	D21/584
D590,897 S *	4/2009	Sato et al.	.....	D21/584

\* cited by examiner

*Primary Examiner* — Sandra Morris

(74) *Attorney, Agent, or Firm* — Steptoe & Johnson LLP

(57) **CLAIM**

The ornamental design for a transformable and interconnectable toy, as shown and described.

**DESCRIPTION**

FIGS. 1-3 are top perspective views of a transformable and interconnectable toy showing a new design,

FIG. 1 showing a first portion of said toy, FIG. 2 showing a second portion of said toy, and FIG. 3 showing a third portion of said toy, each portion shown in a closed position; FIGS. 4-6 are front elevation views thereof, FIG. 4 showing a first portion of said toy, FIG. 5 showing a second portion of said toy, and FIG. 6 showing a third portion of said toy, each portion shown in a closed position; FIGS. 7-9 are back elevation views thereof, FIG. 7 showing a first portion of said toy, FIG. 8 showing a second portion of said toy, and FIG. 9 showing a third portion of said toy, each portion shown in a closed position; FIGS. 10-12 are right side elevation views thereof, FIG. 10 showing a first portion of said toy, FIG. 11 showing a second portion of said toy, and FIG. 12 showing a third portion of said toy, each portion shown in a closed position; FIGS. 13-15 are left side elevation views thereof, FIG. 13 showing a first portion of said toy, FIG. 14 showing a second portion of said toy, and FIG. 15 showing a third portion of said toy, each portion shown in a closed position; FIGS. 16-18 are top elevation views thereof, FIG. 16 showing a first portion of said toy, FIG. 17 showing a second portion of said toy, and FIG. 18 showing a third portion of said toy, each portion shown in a closed position; FIGS. 19-21 are bottom elevation views thereof, FIG. 19 showing a first portion of said toy, FIG. 20 showing a second portion of said toy, and FIG. 21 showing a third portion of said toy, each portion shown in a closed position; FIGS. 22-24 are top perspective views thereof, FIG. 22 showing a first portion of said toy, FIG. 23 showing a second portion of said toy, and FIG. 24 showing a third portion of said toy, each portion shown in an open position and interconnected to an adjacent portion; FIGS. 25-27 are top perspective views thereof, FIG. 25 showing a first portion of said toy, and FIG. 26 showing a second portion of said toy, and

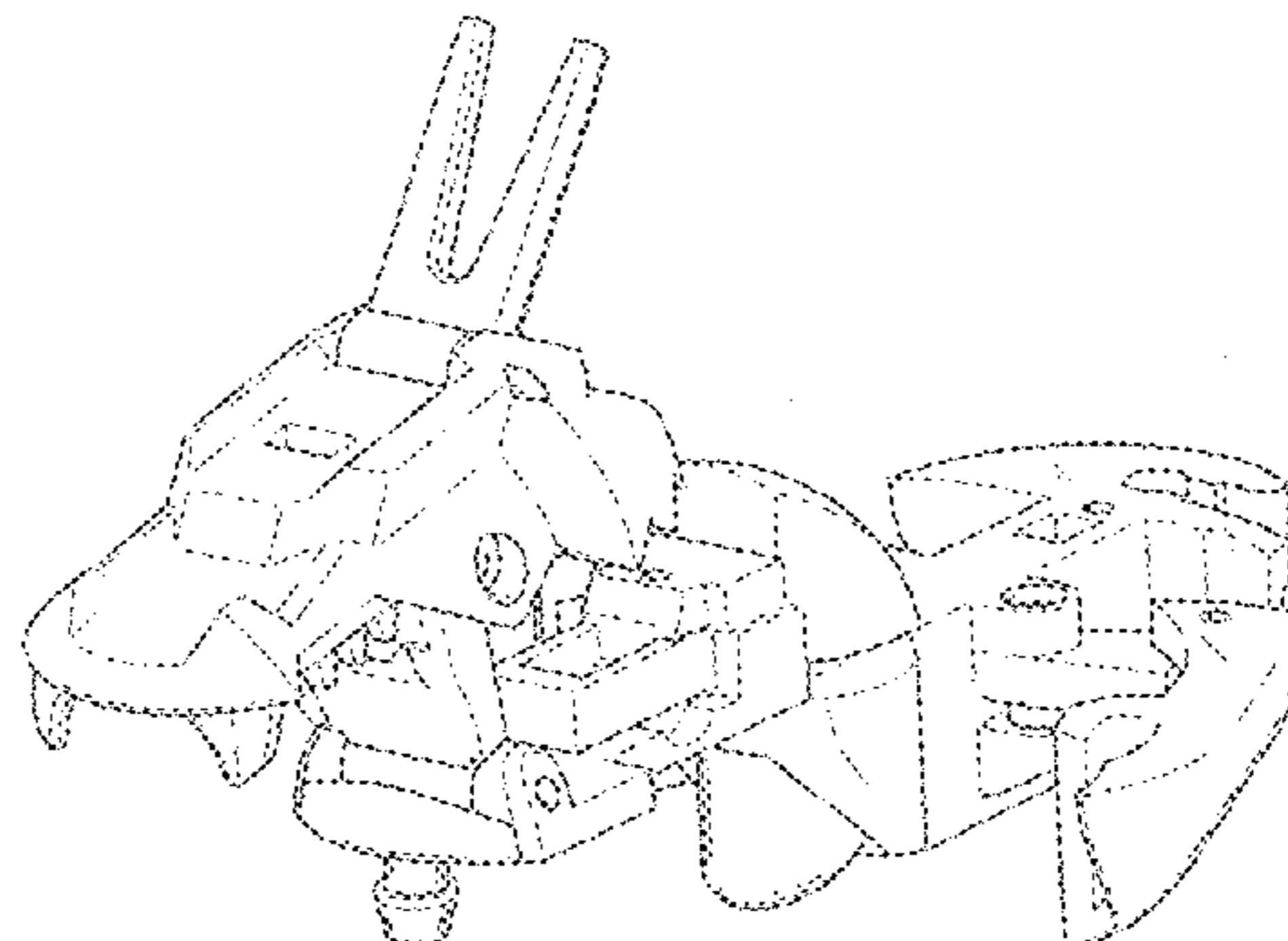
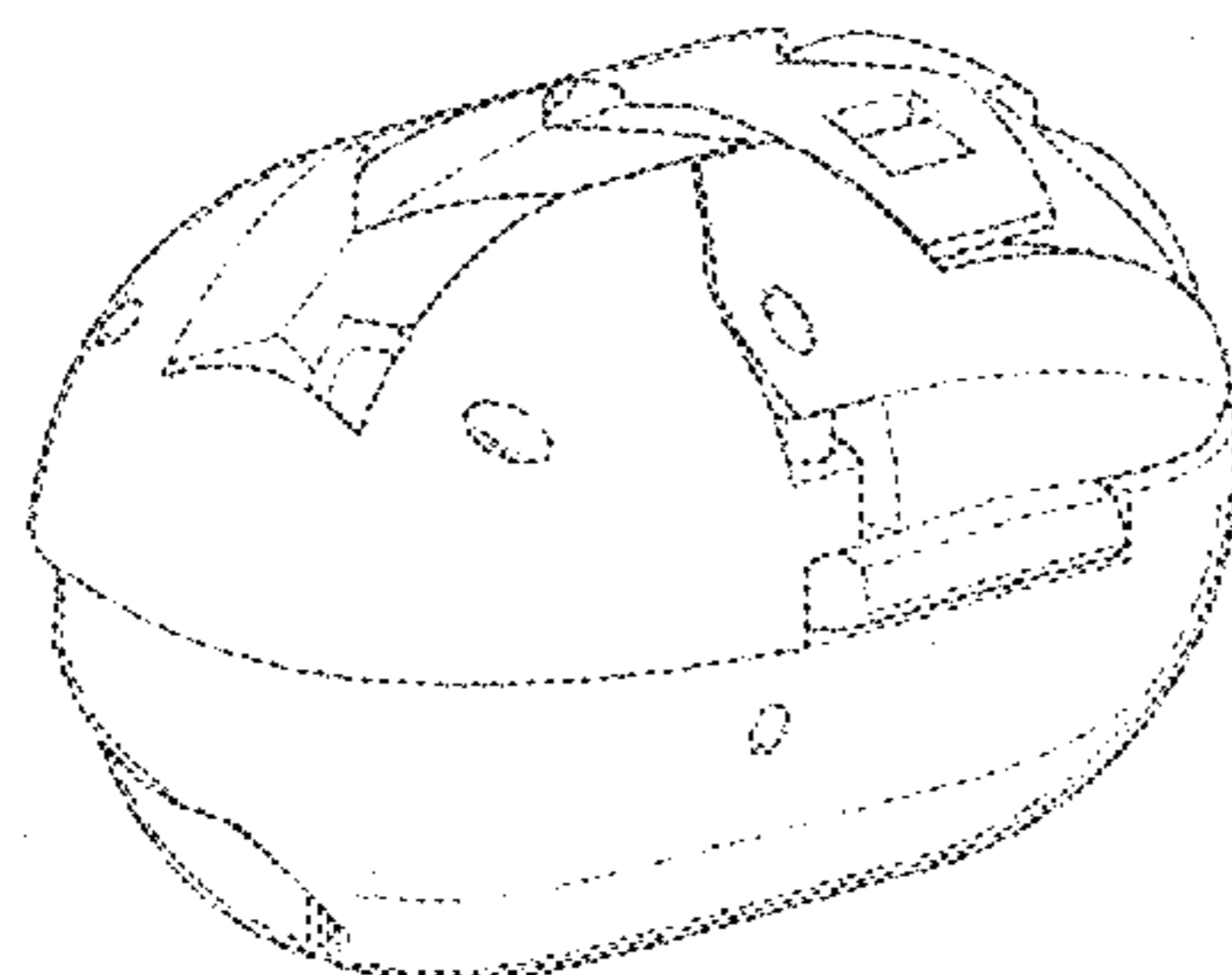


FIG. 27 showing a third portion of said toy, each portion shown in an open position and not interconnected to an adjacent portion;

FIG. 28 is a front elevation view of the first, second, and third portions in an open position and interconnected to an adjacent portion;

FIGS. 29-31 are front elevation views thereof,

FIG. 29 showing a first portion of said toy,

FIG. 30 showing a second portion of said toy, and

FIG. 31 showing a third portion of said toy, each portion shown in an open position;

FIG. 32 is a back elevation view of the first, second, and third portions in an open position and interconnected to an adjacent portion;

FIGS. 33-35 are back elevation views thereof,

FIG. 33 showing a first portion of said toy,

FIG. 34 showing a second portion of said toy, and

FIG. 35 showing a third portion of said toy, each portion shown in an open position;

FIG. 36 is a right side elevation view of the first, second, and third portions in an open position and interconnected to an adjacent portion;

FIG. 37 is a left side elevation view of the first, second, and third portions in an open position and interconnected to an adjacent portion;

FIG. 38 is a top elevation view of the first, second, and third portions in an open position and interconnected to an adjacent portion; and,

FIG. 39 is a bottom elevation view of the first, second, and third portions in an open position and interconnected to an adjacent portion.

**1 Claim, 10 Drawing Sheets**



Fig. 3

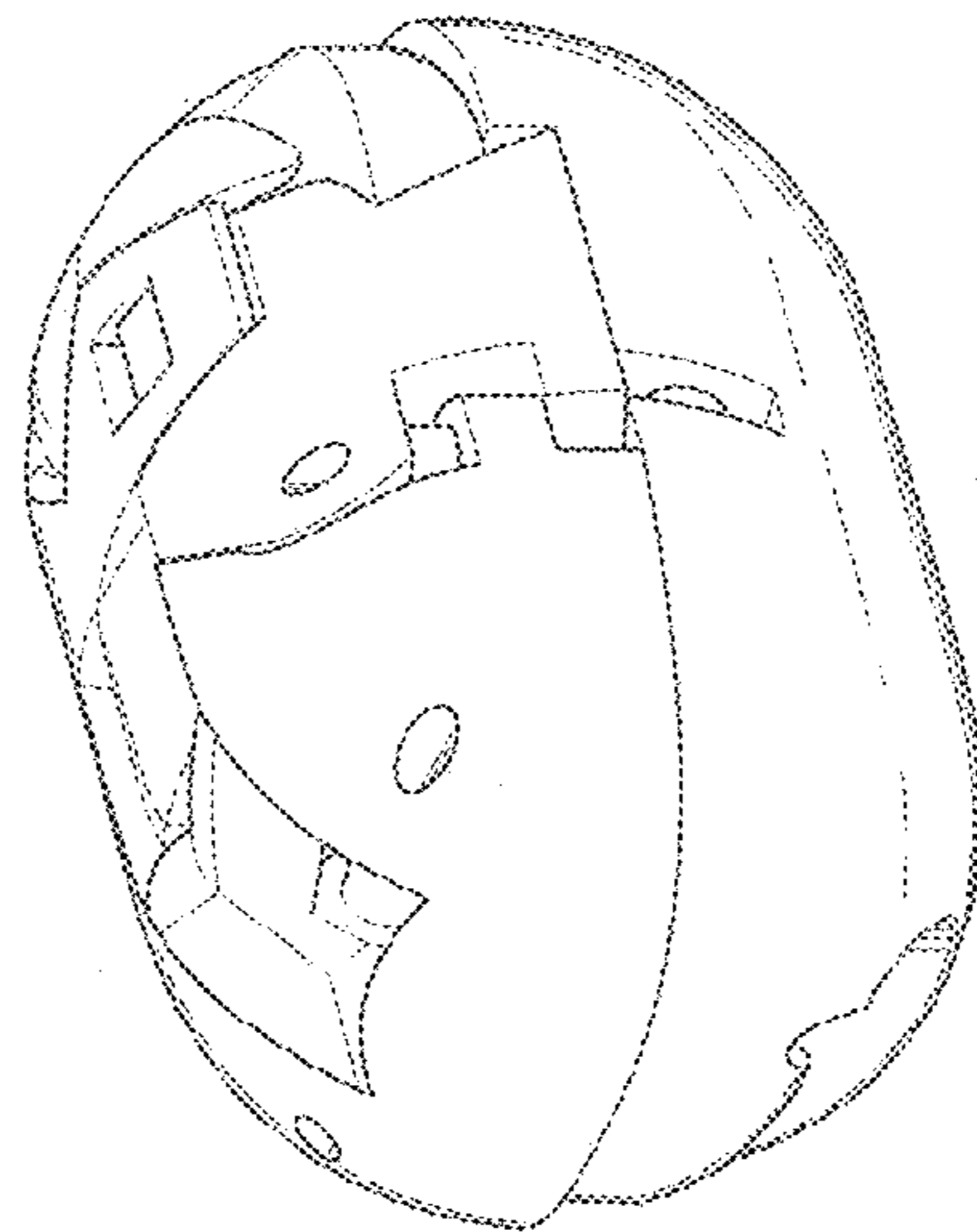


Fig. 2

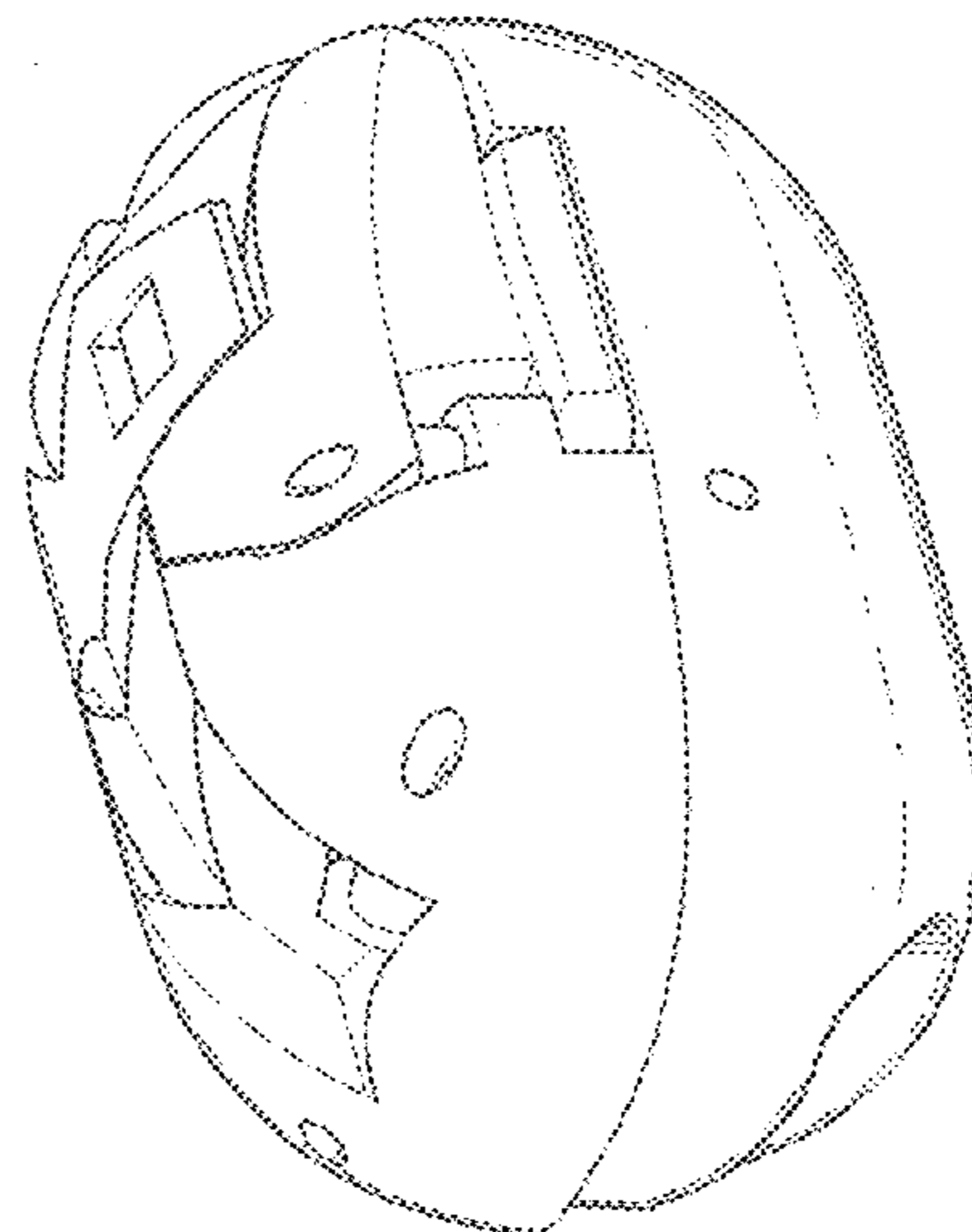


Fig. 1



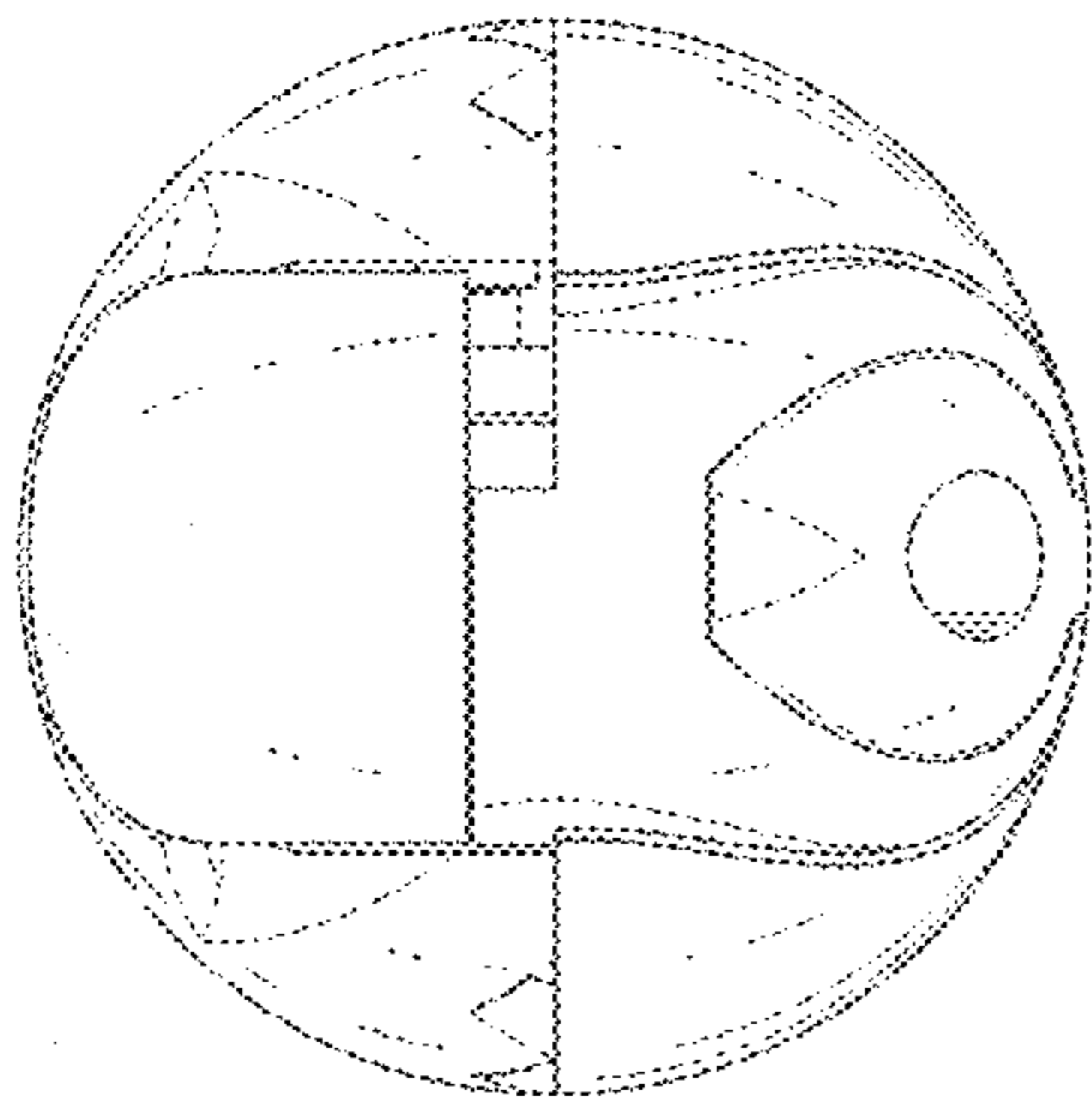


Fig. 4

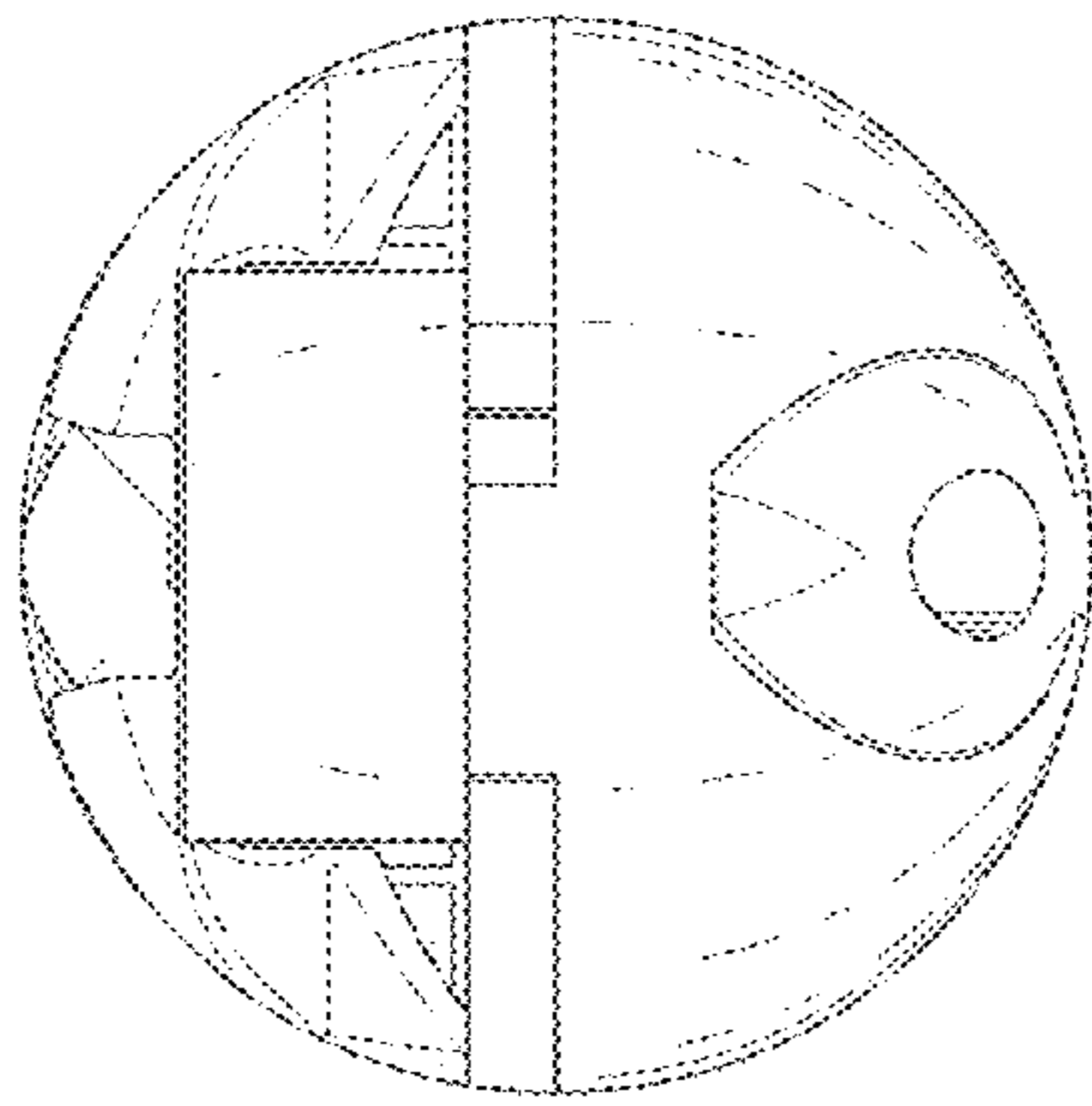


Fig. 5

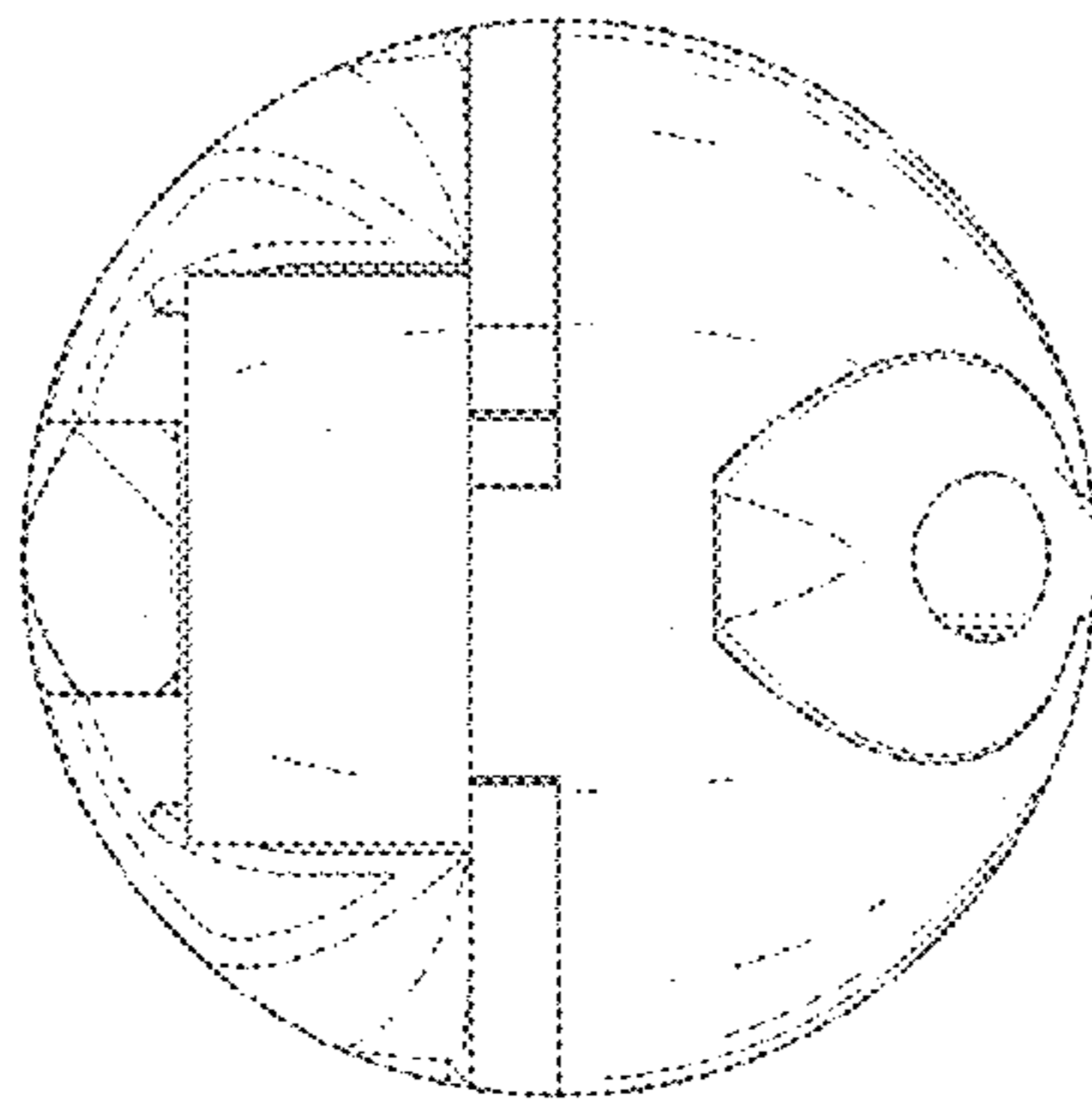


Fig. 6

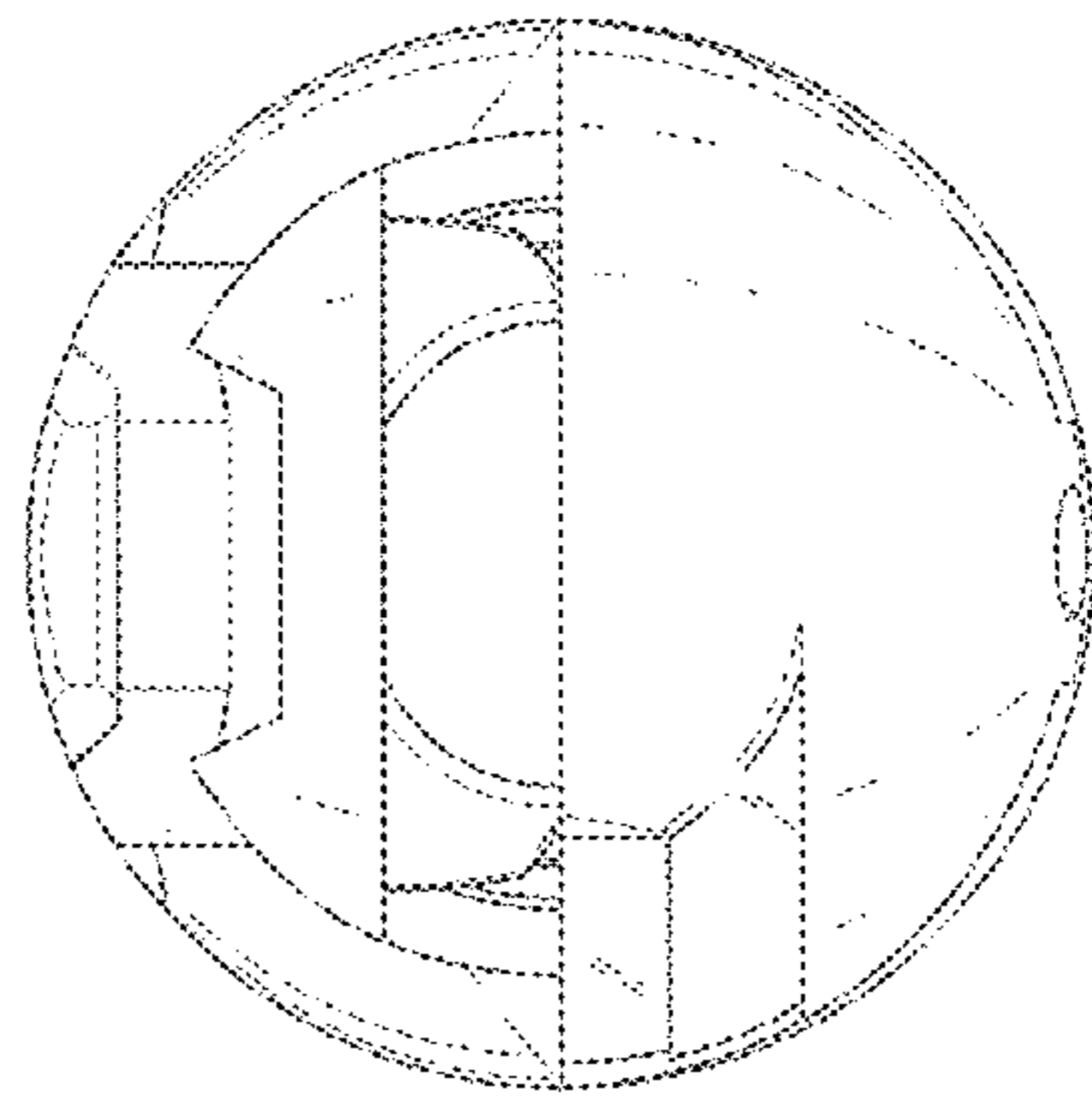


Fig. 7

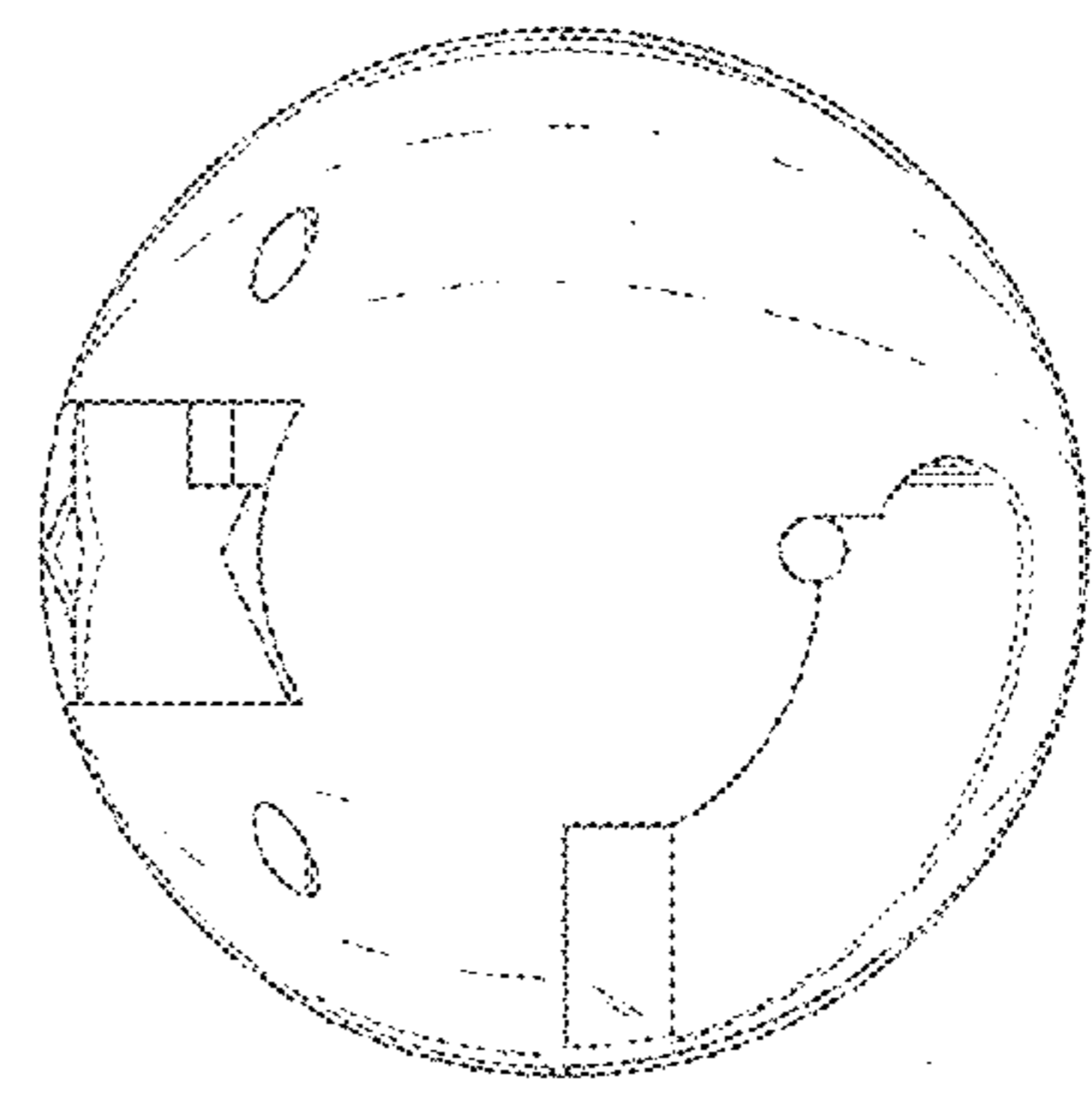


Fig. 8

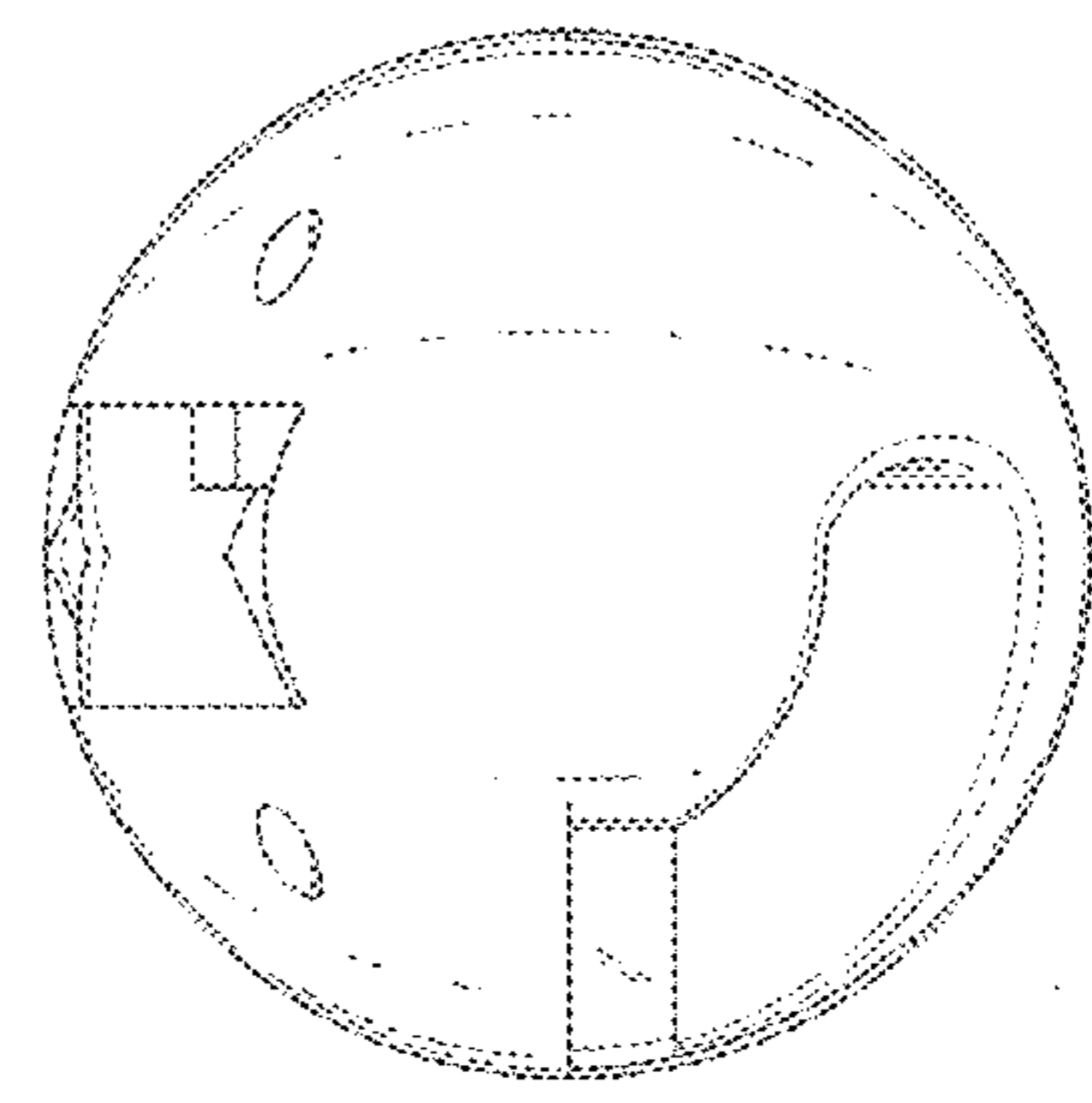


Fig. 9

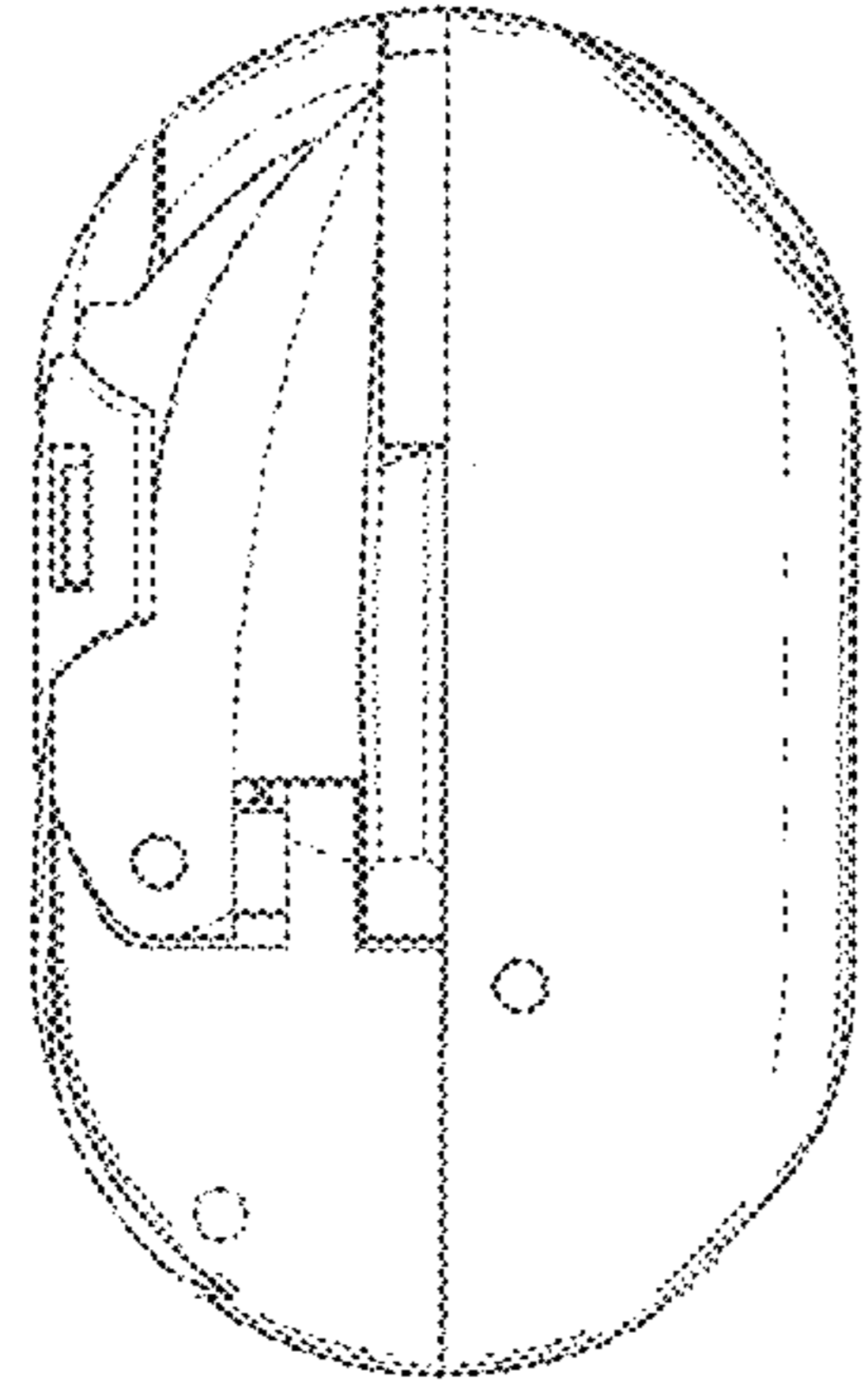


Fig. 10

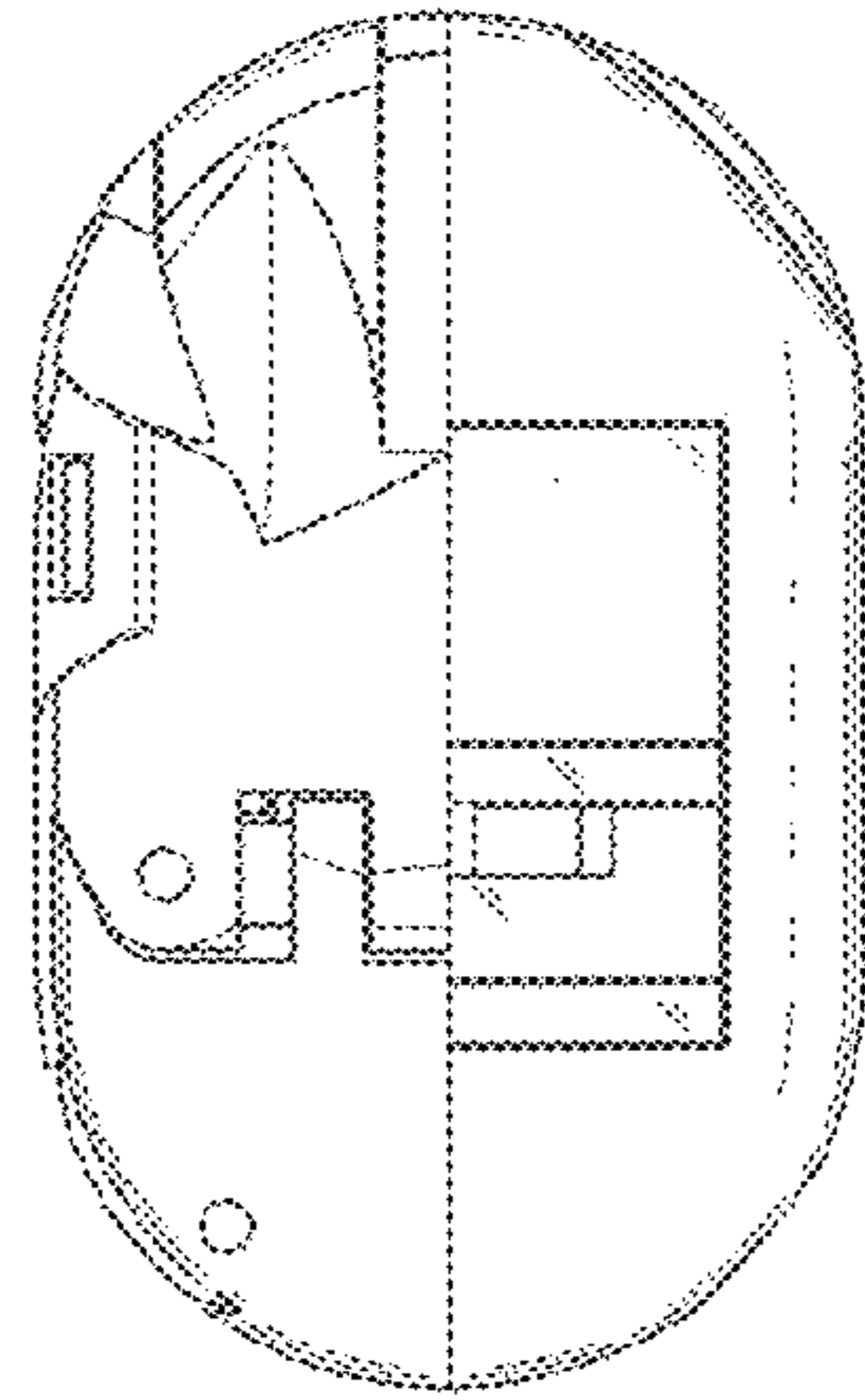


Fig. 11

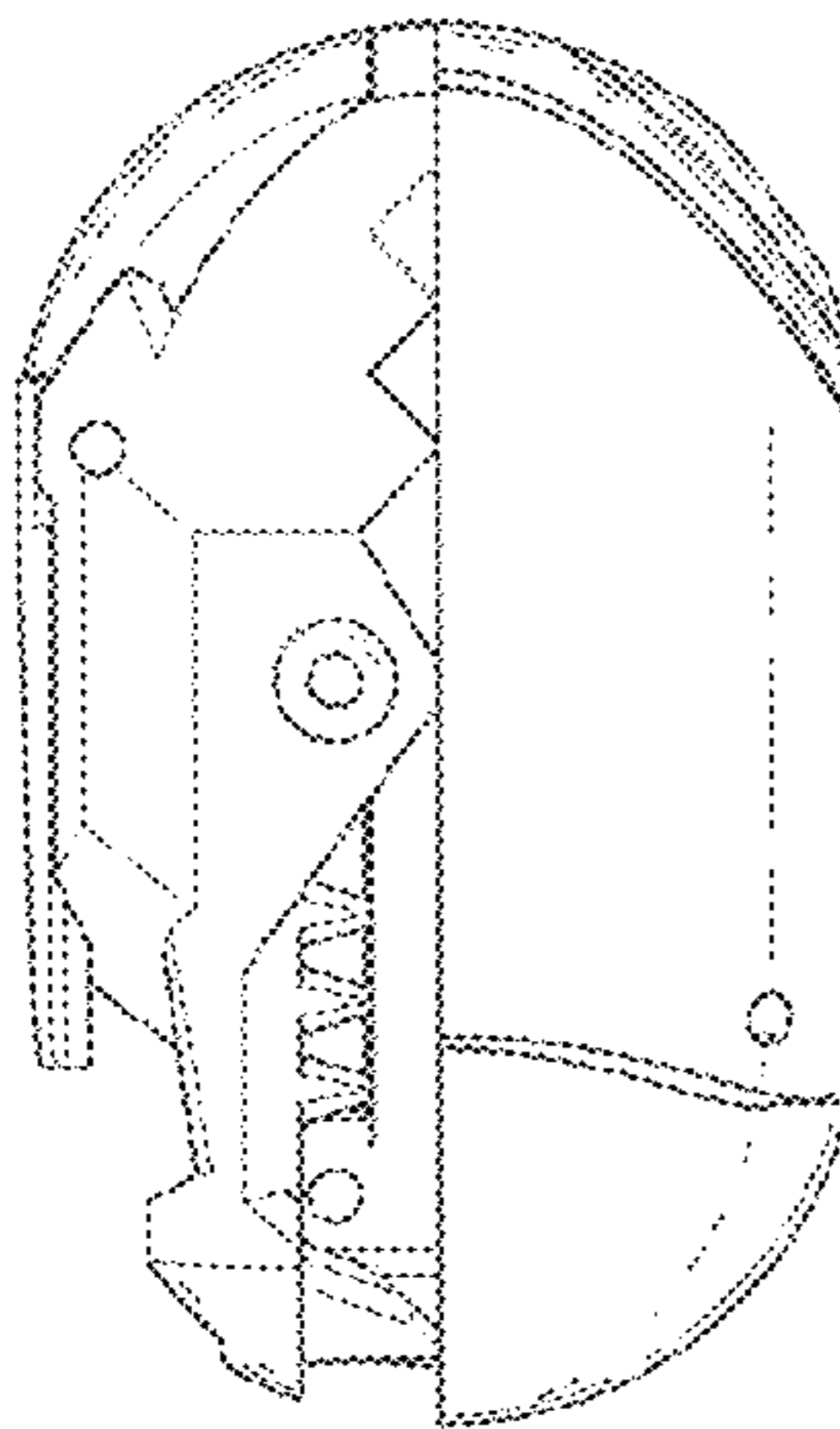


Fig. 12

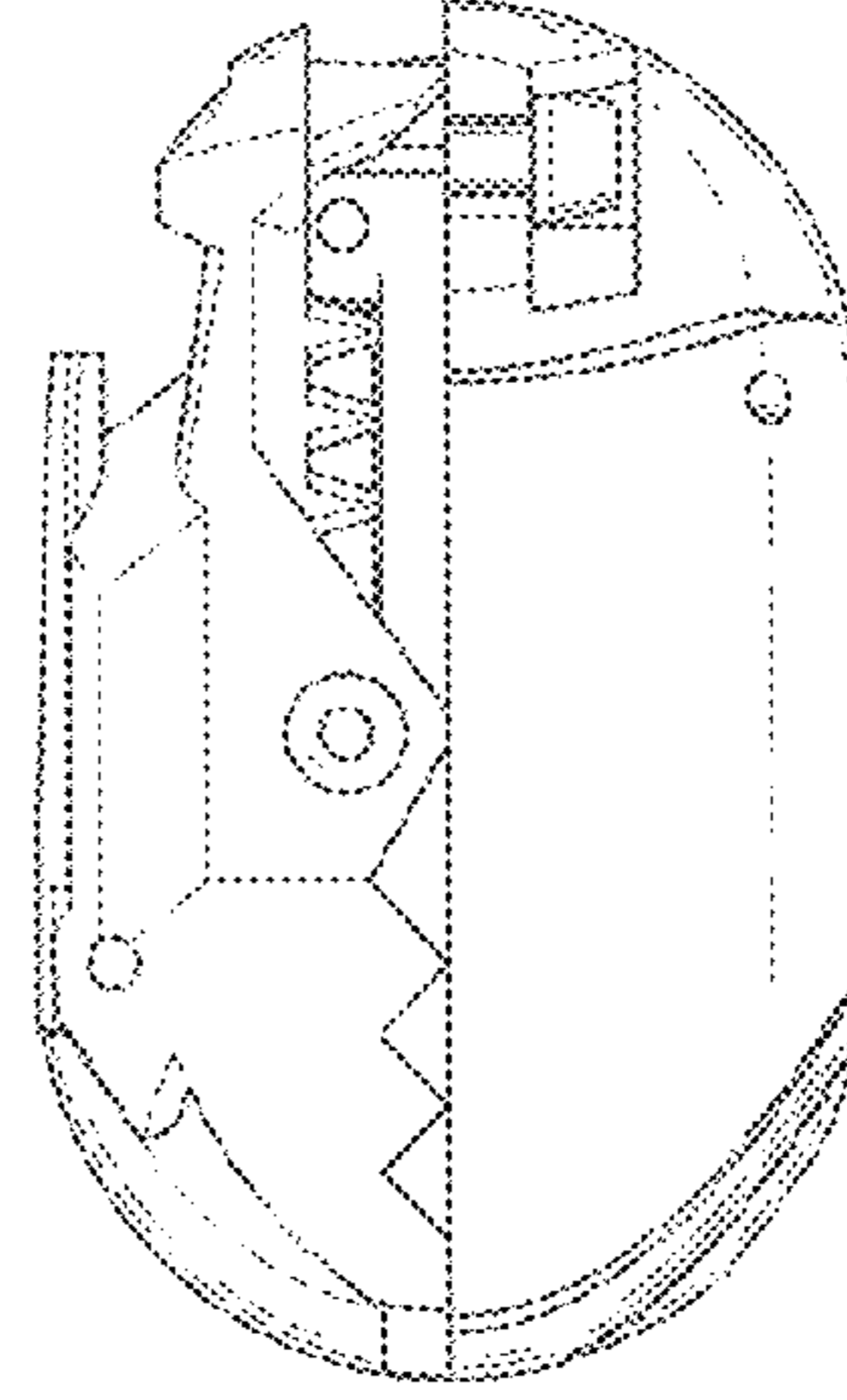


Fig. 13

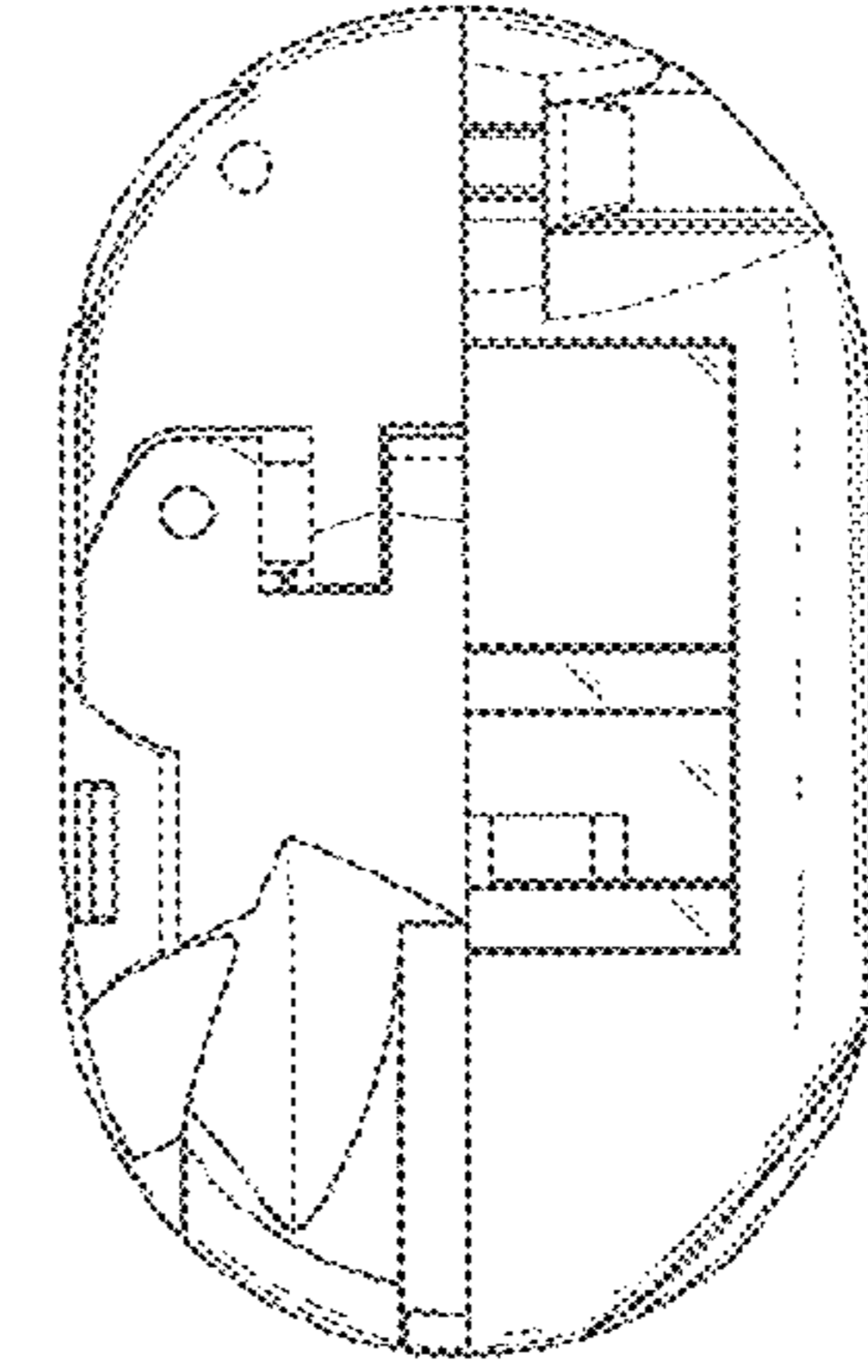


Fig. 14

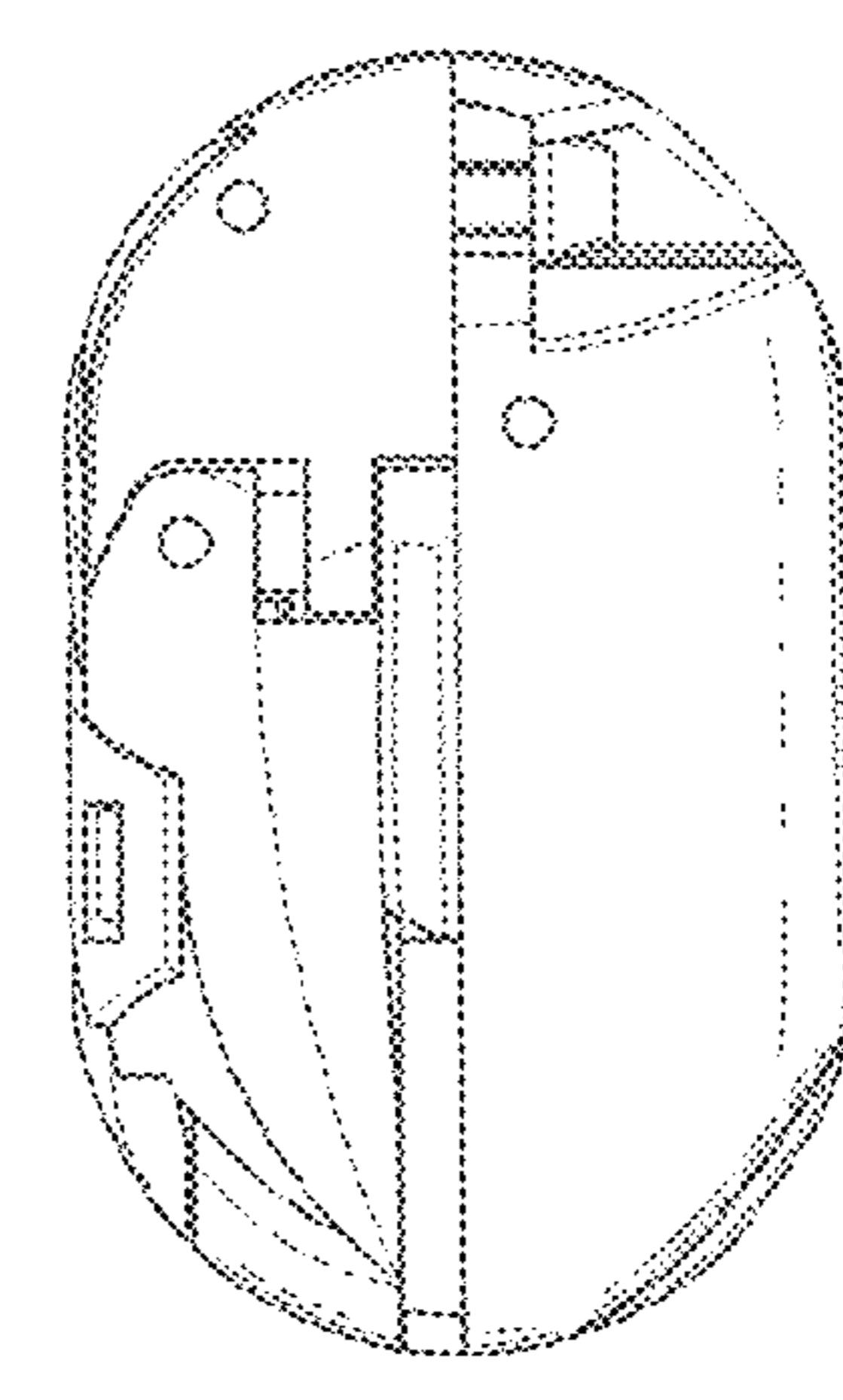


Fig. 15

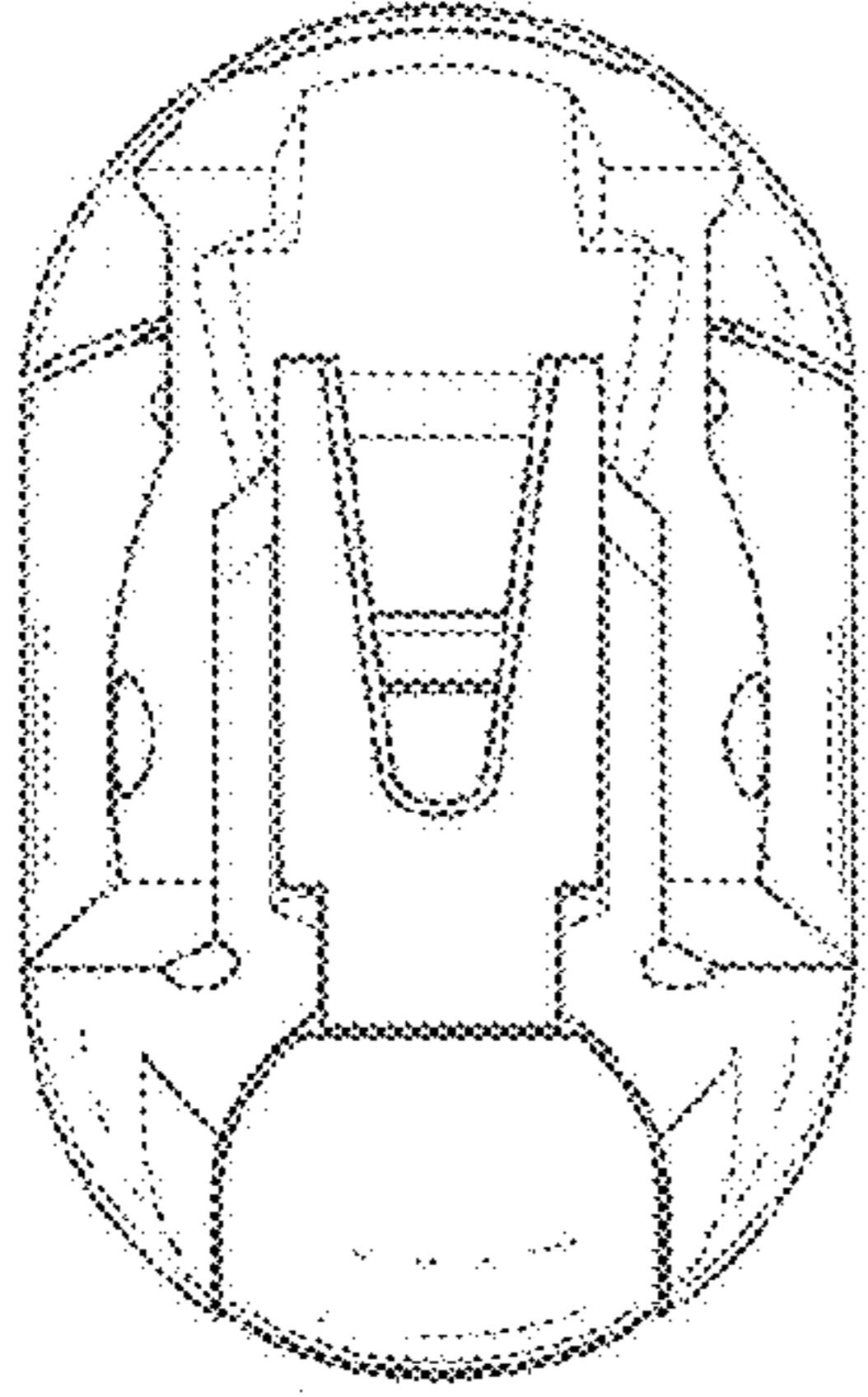


Fig. 16

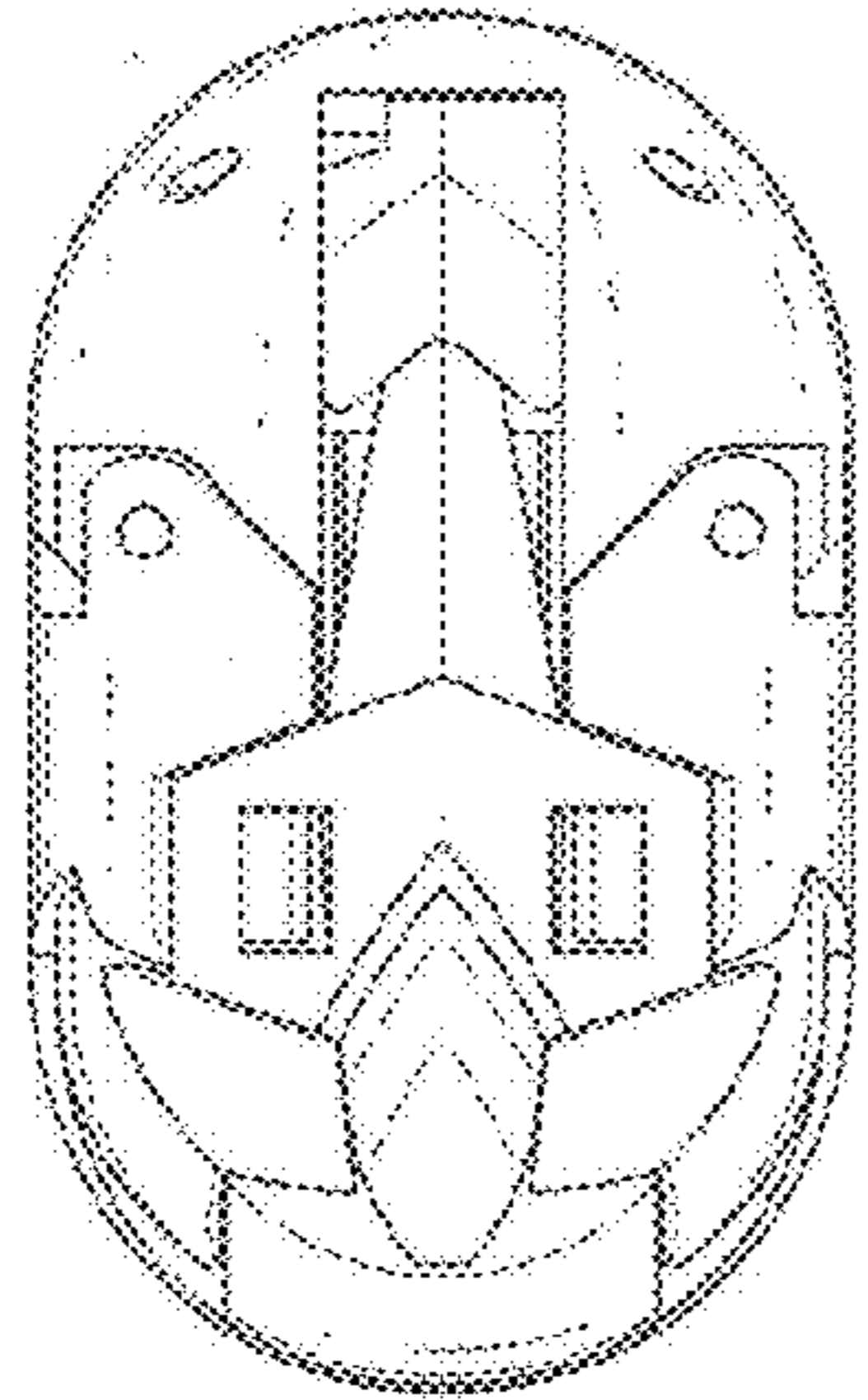


Fig. 17

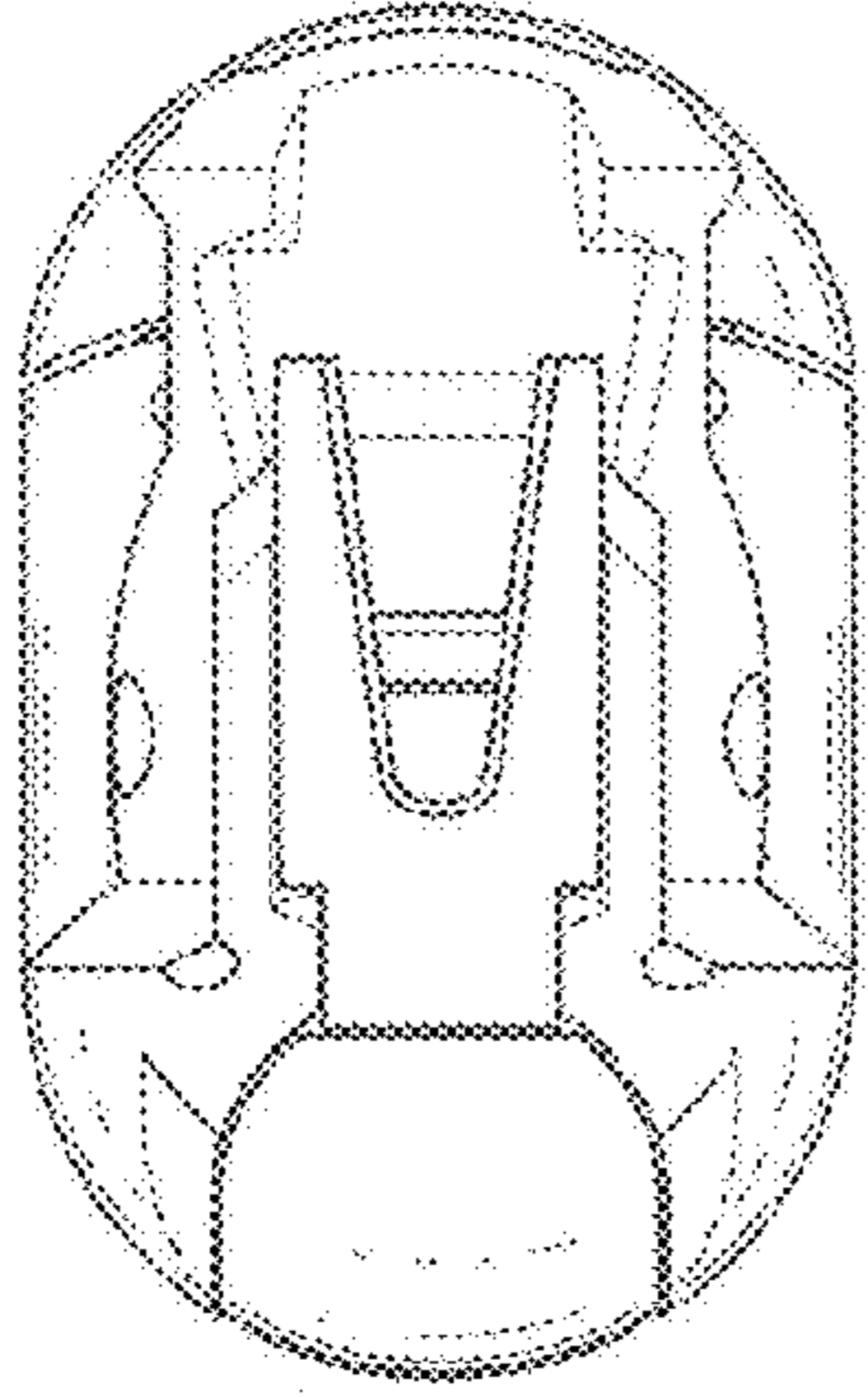


Fig. 18

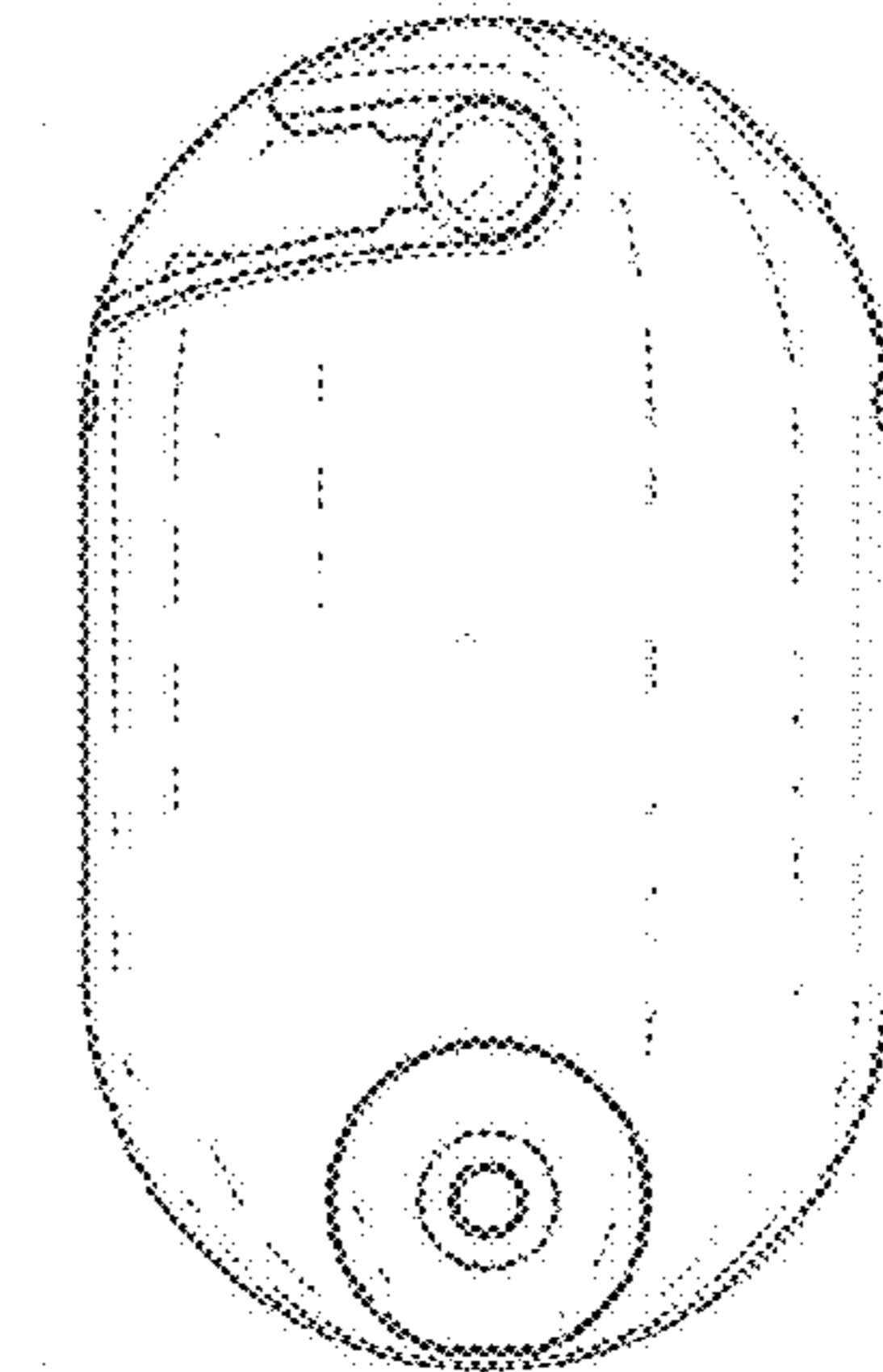


Fig. 19

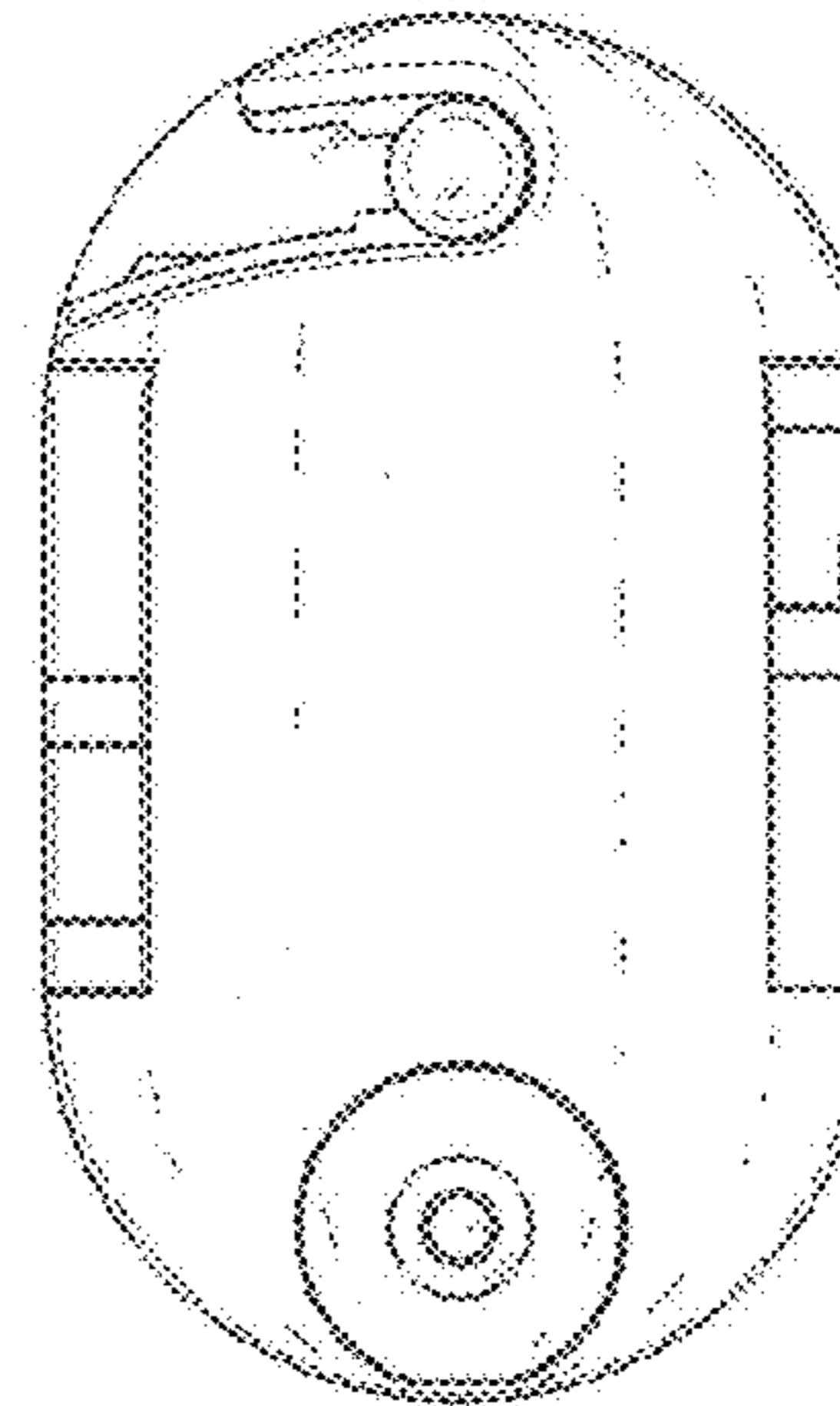


Fig. 20

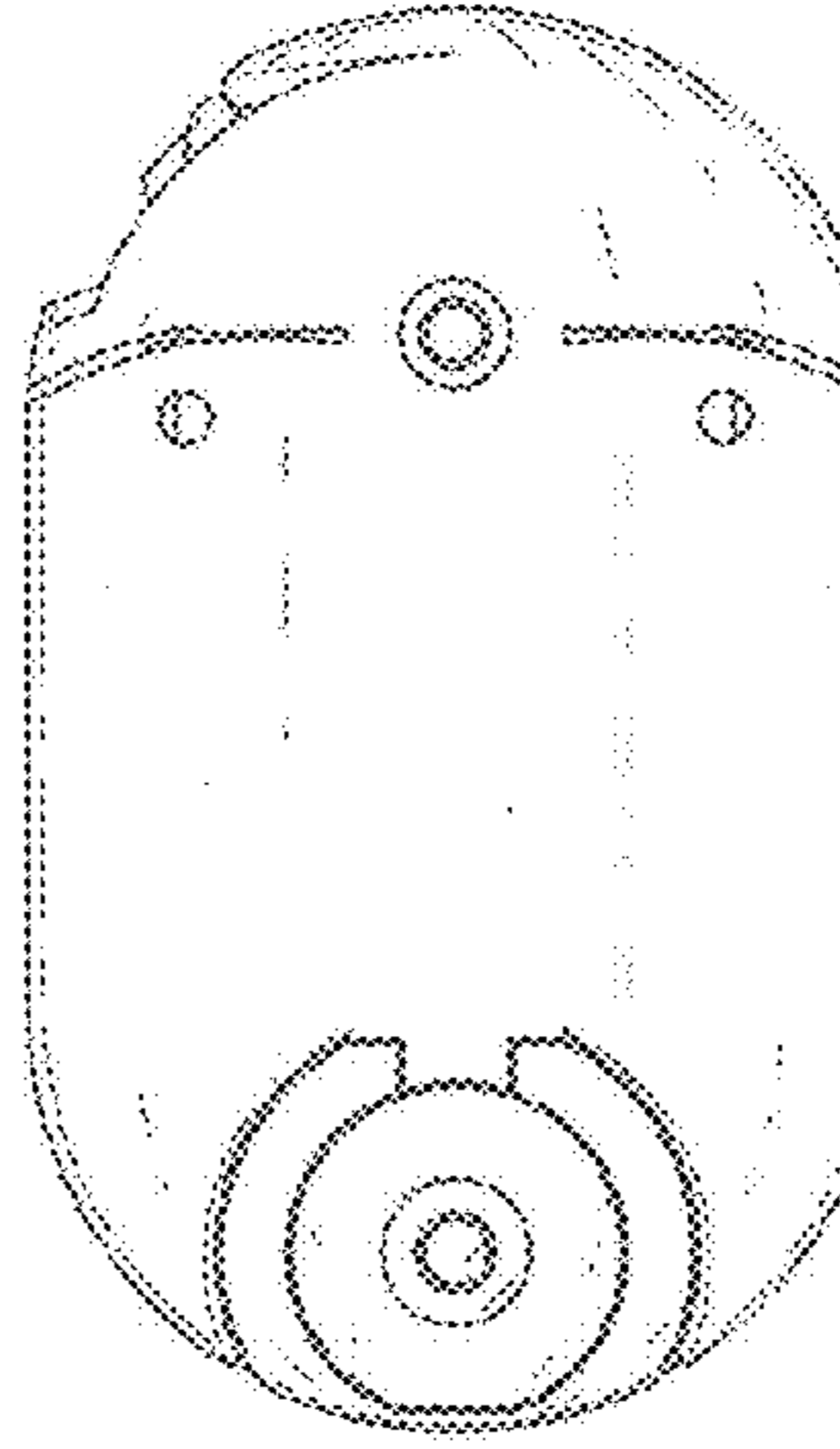


Fig. 21



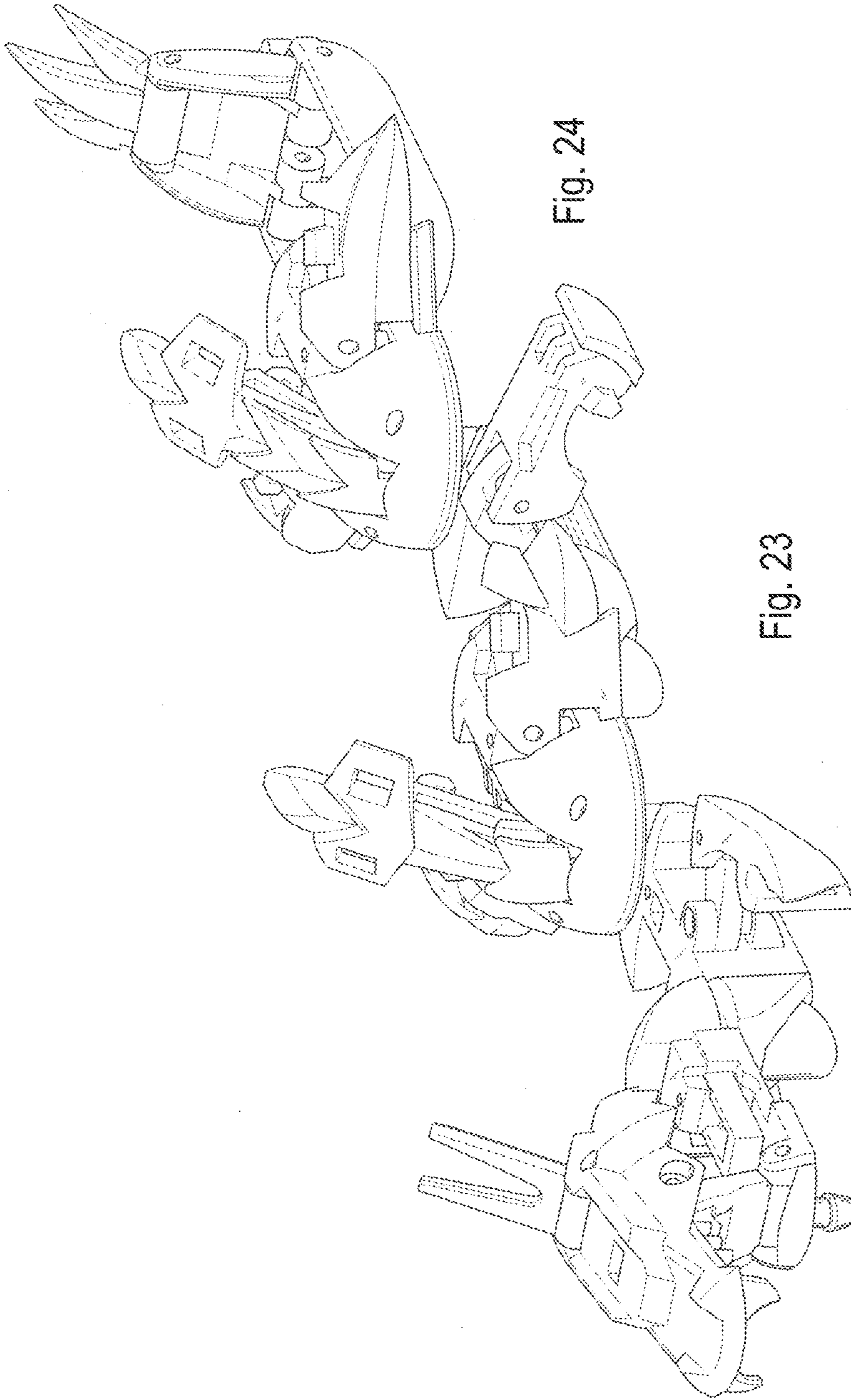


Fig. 24

Fig. 23

Fig. 22

Fig. 25

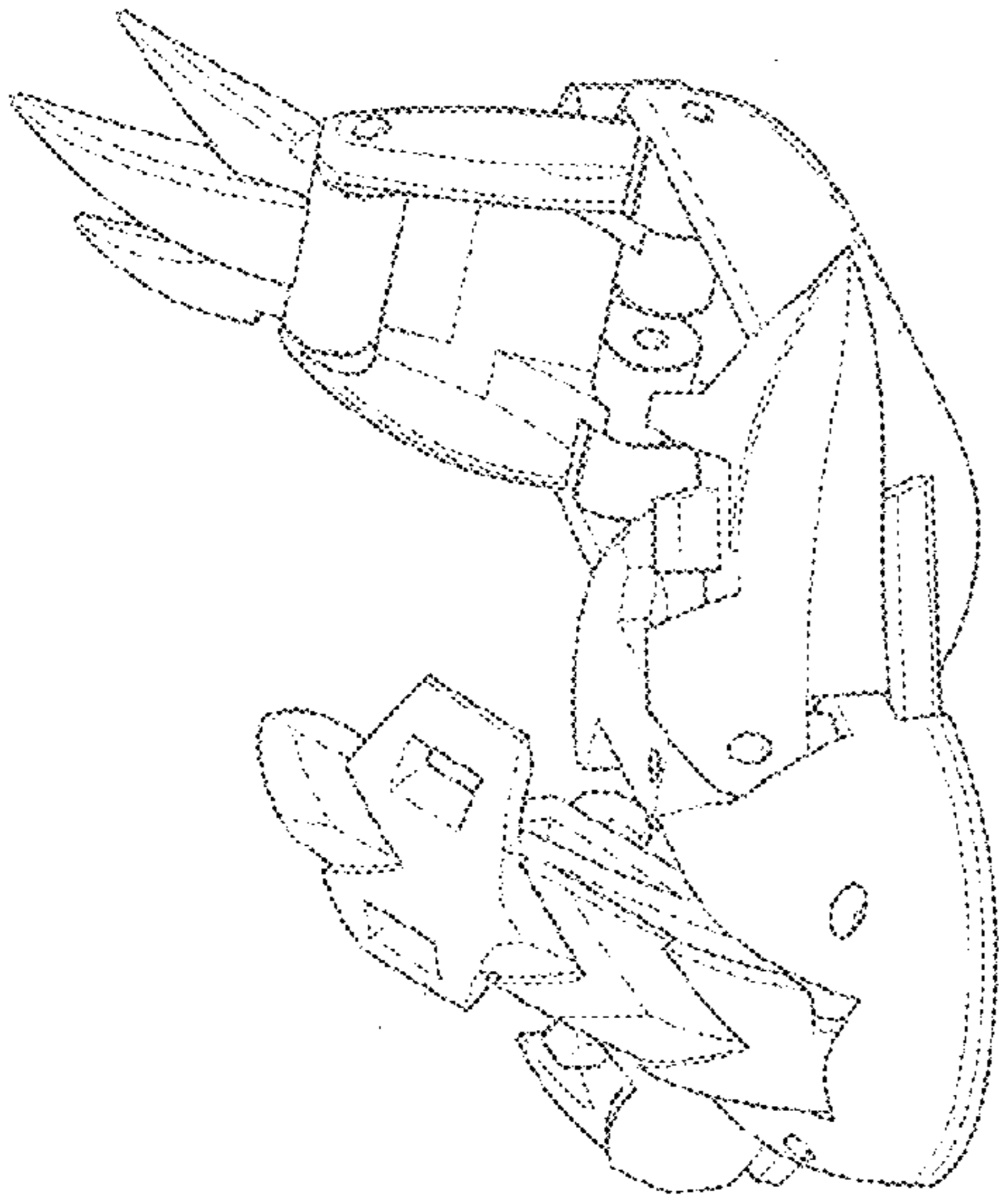


Fig. 27

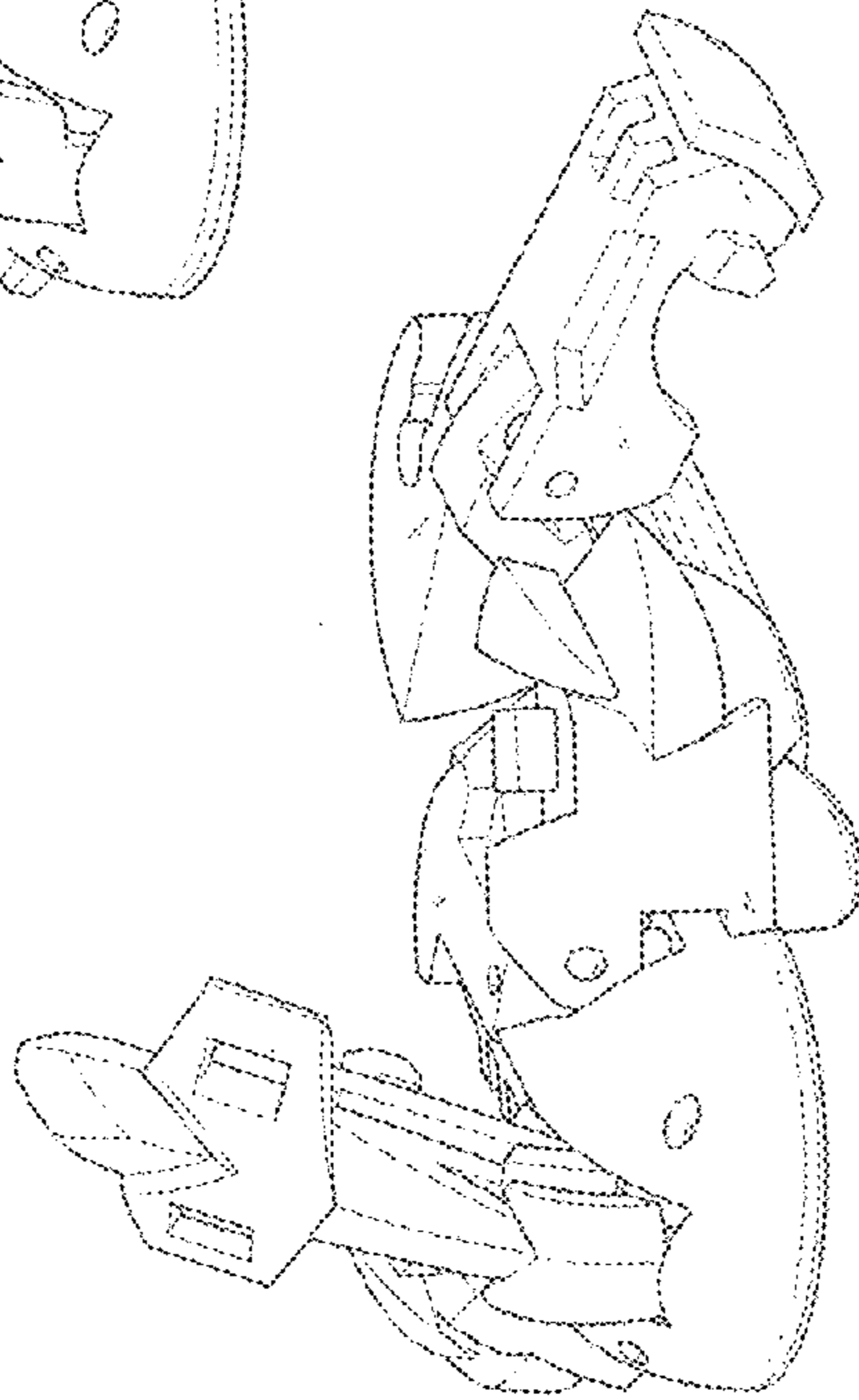


Fig. 26

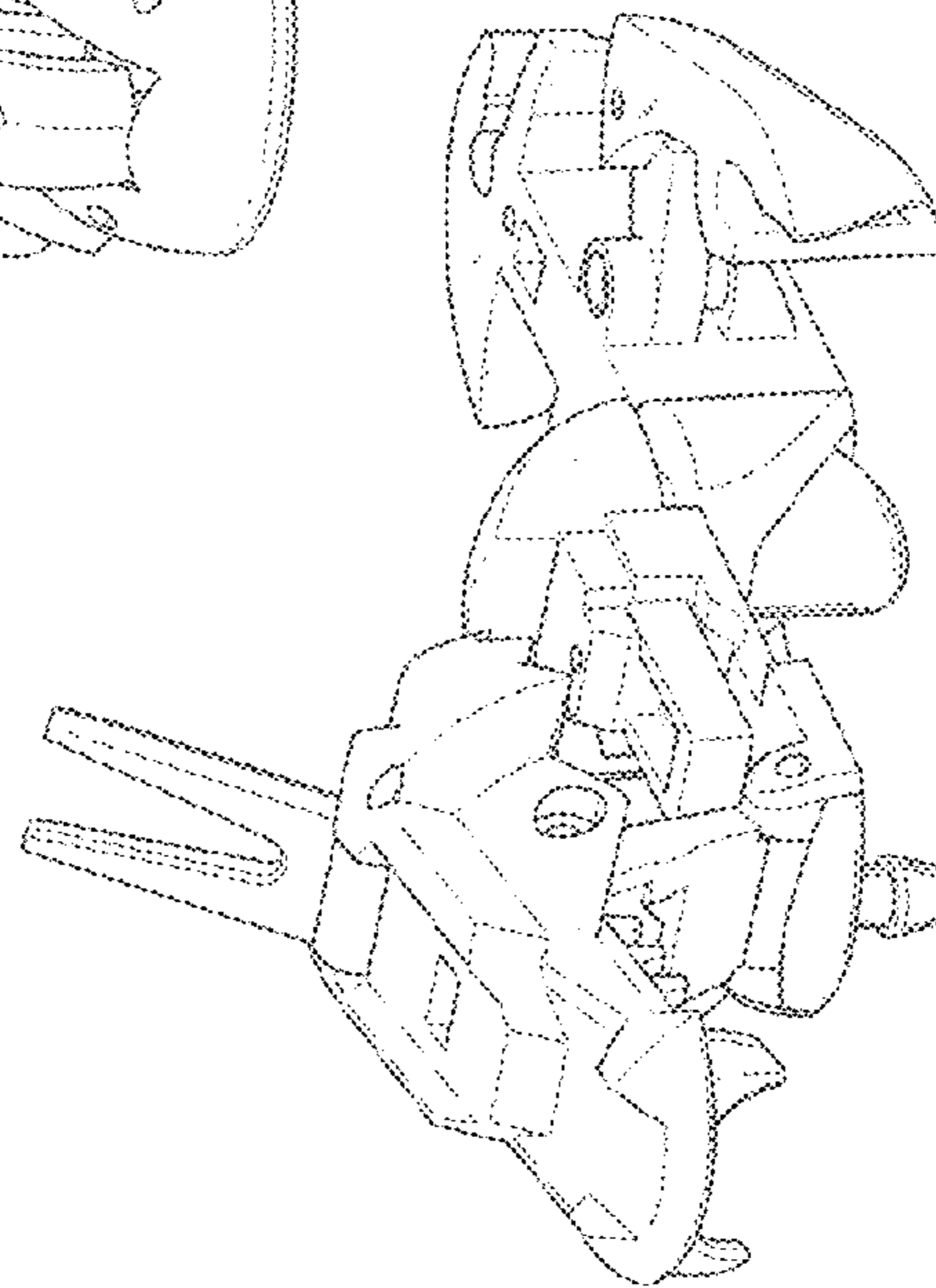


Fig. 25



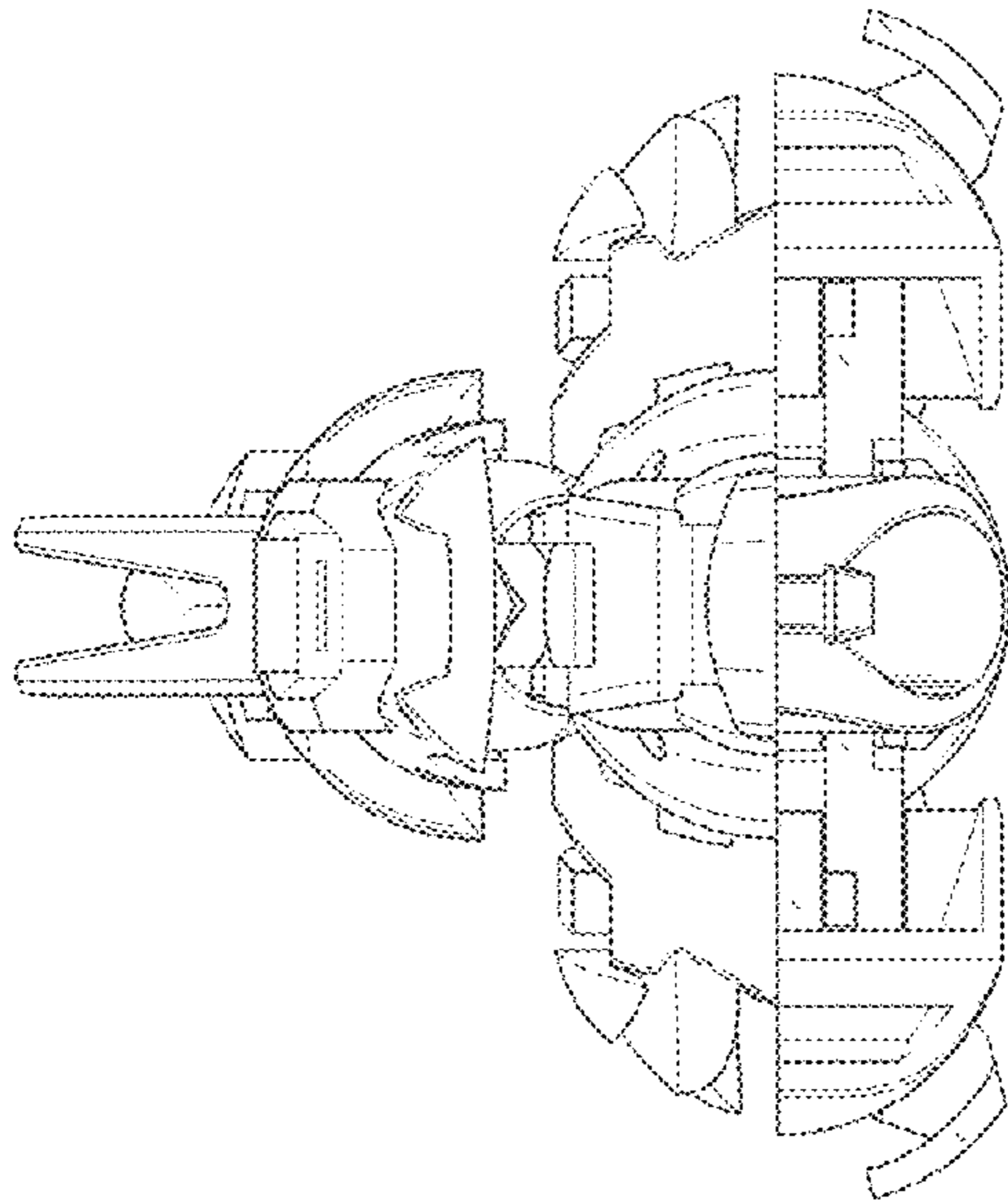


Fig. 28

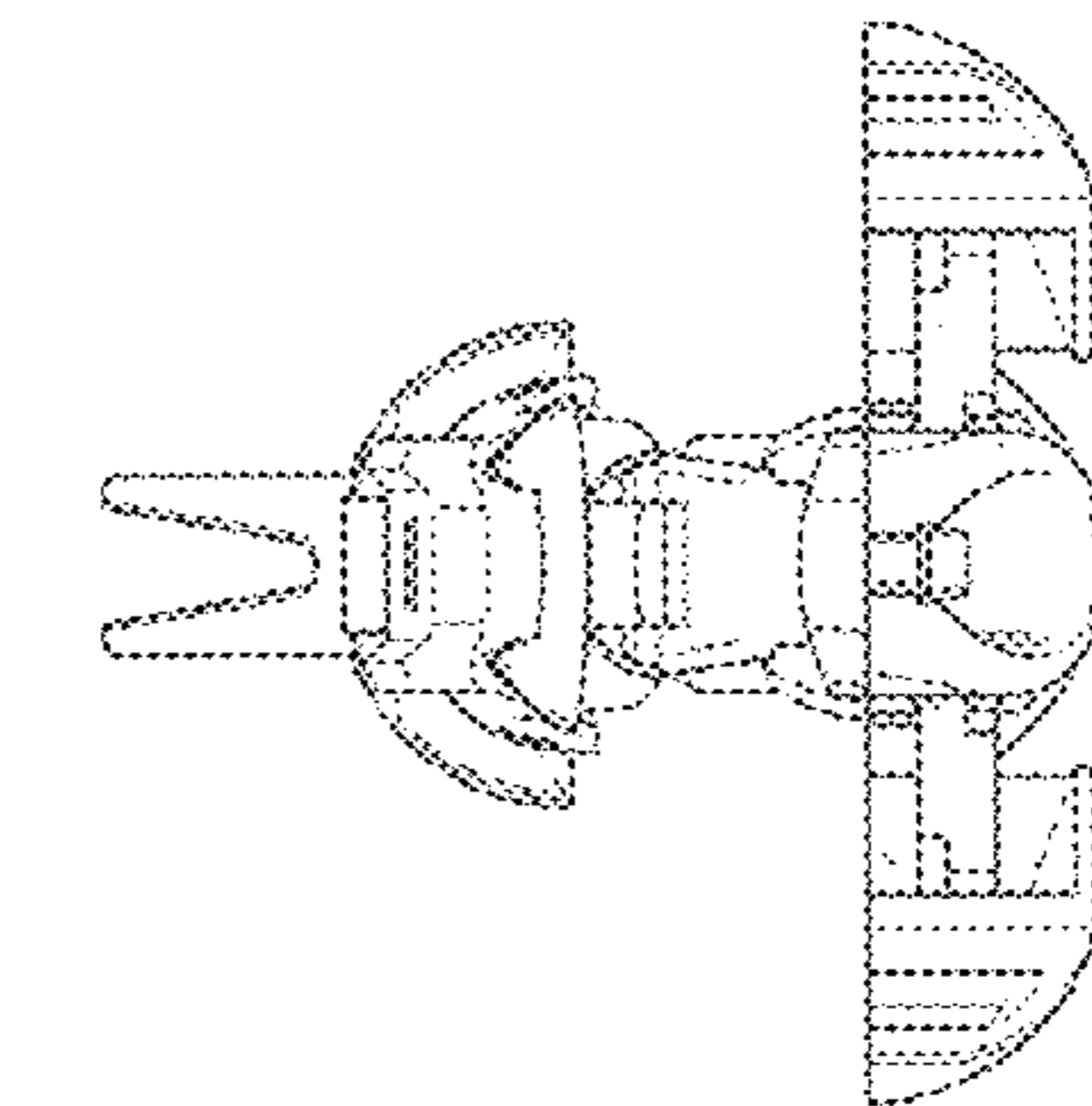


Fig. 29

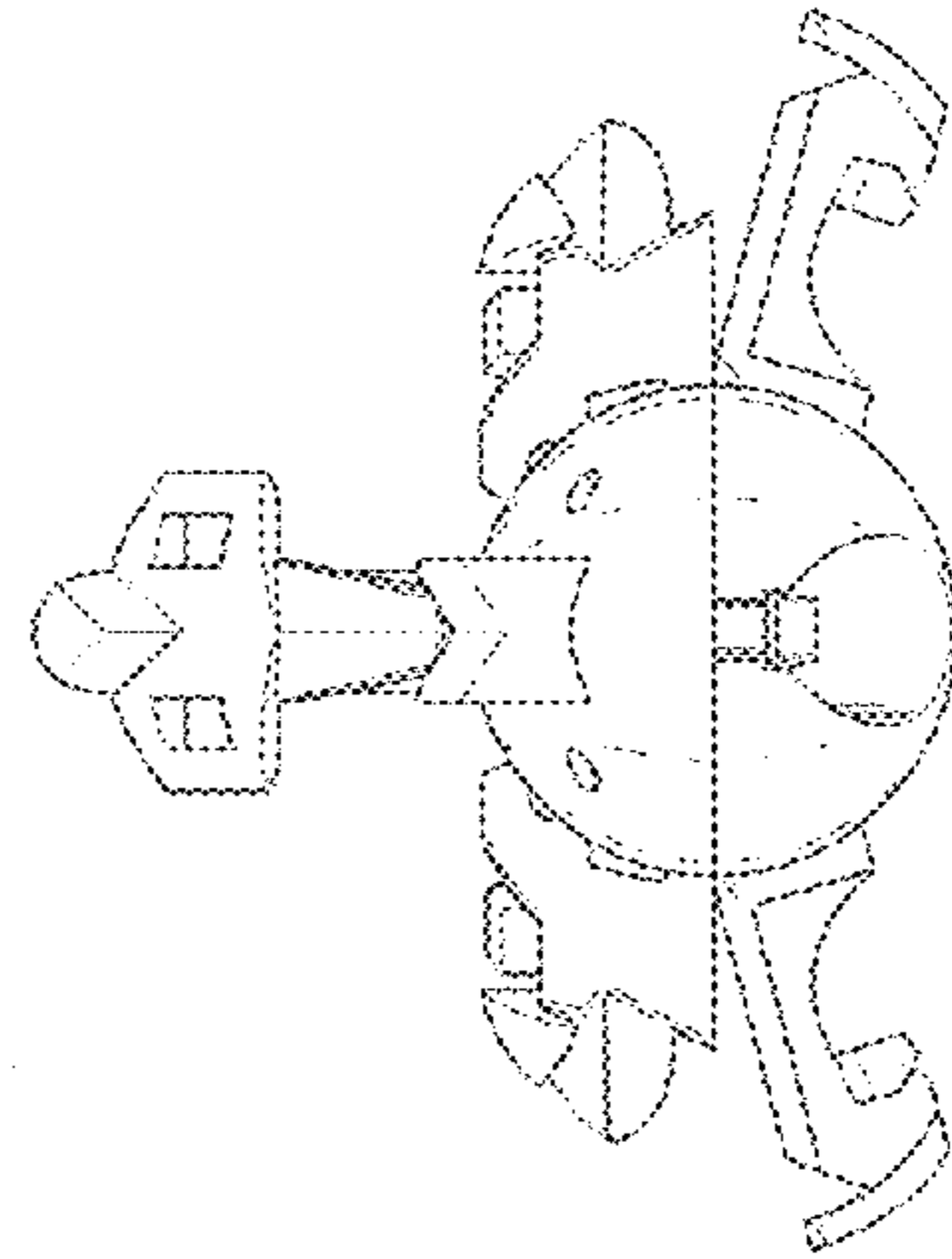


Fig. 30

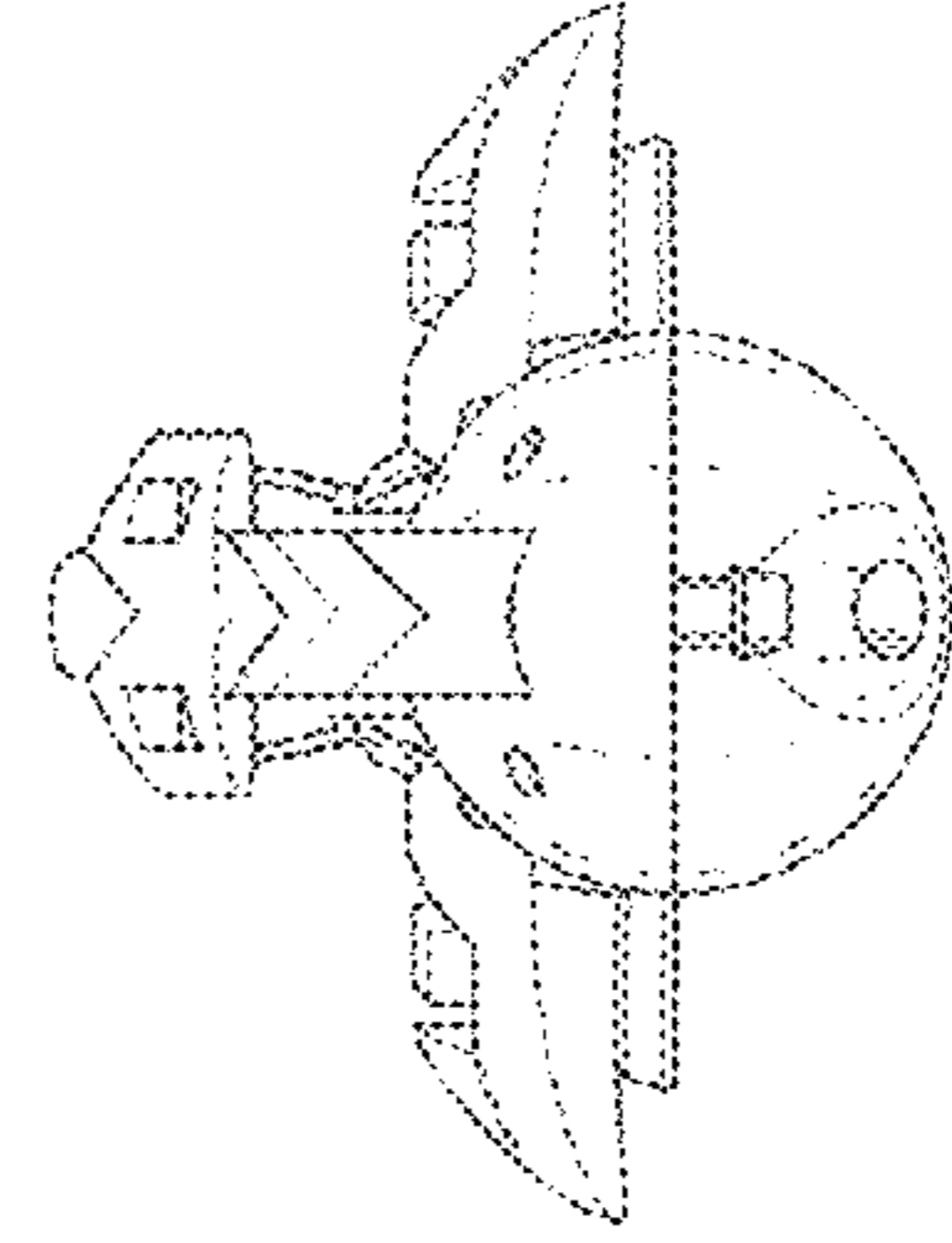


Fig. 31

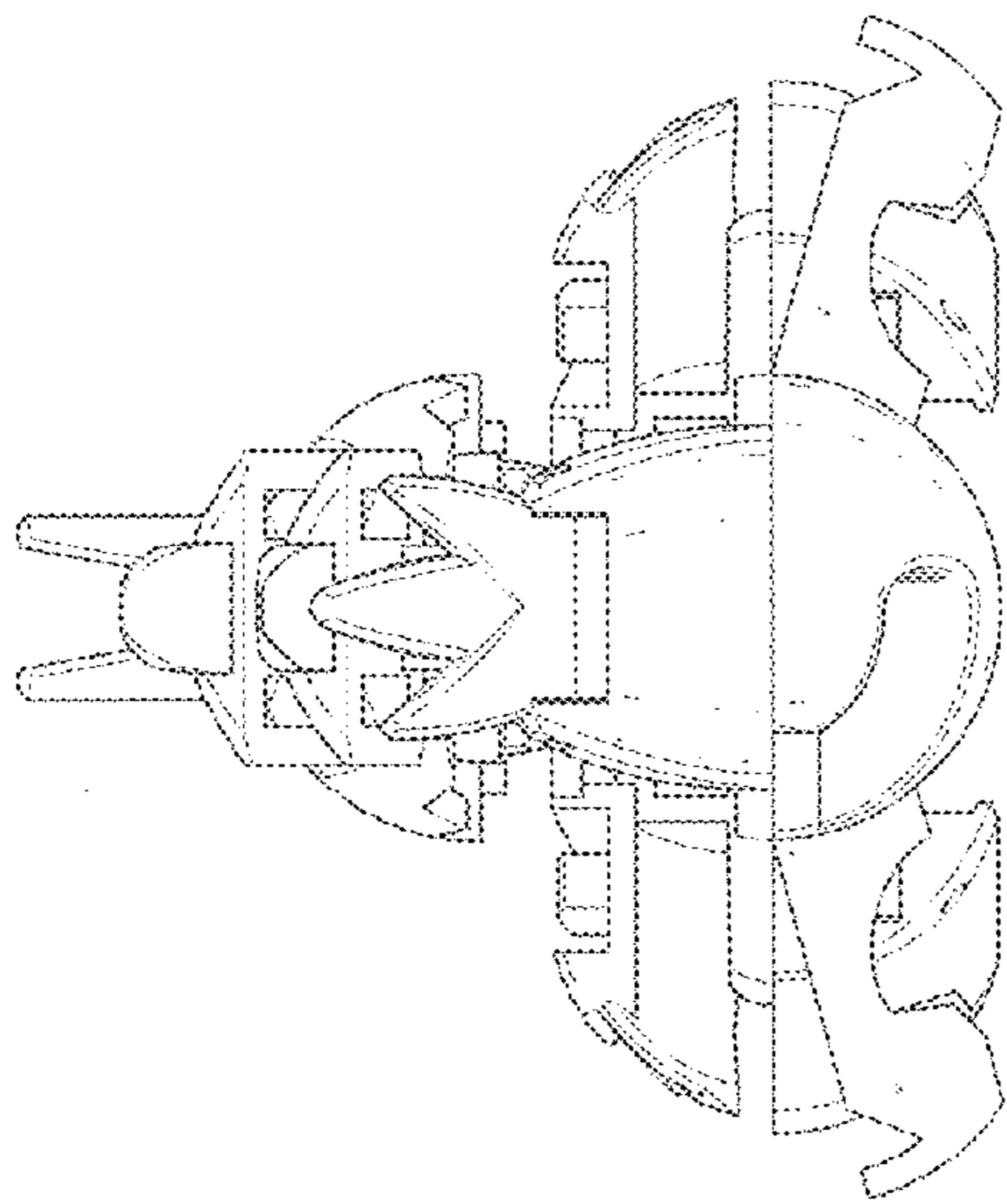


Fig. 32

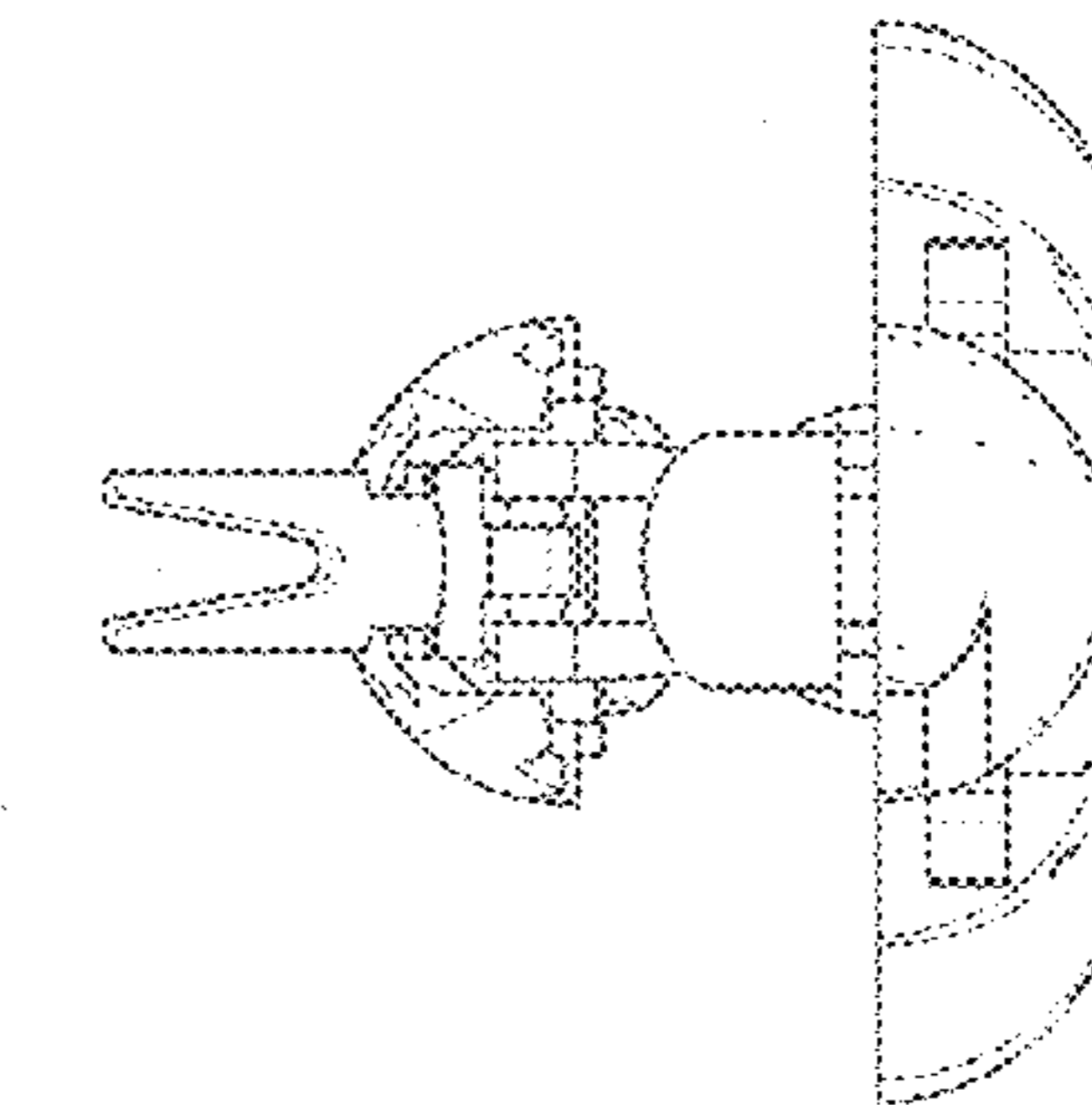


Fig. 33

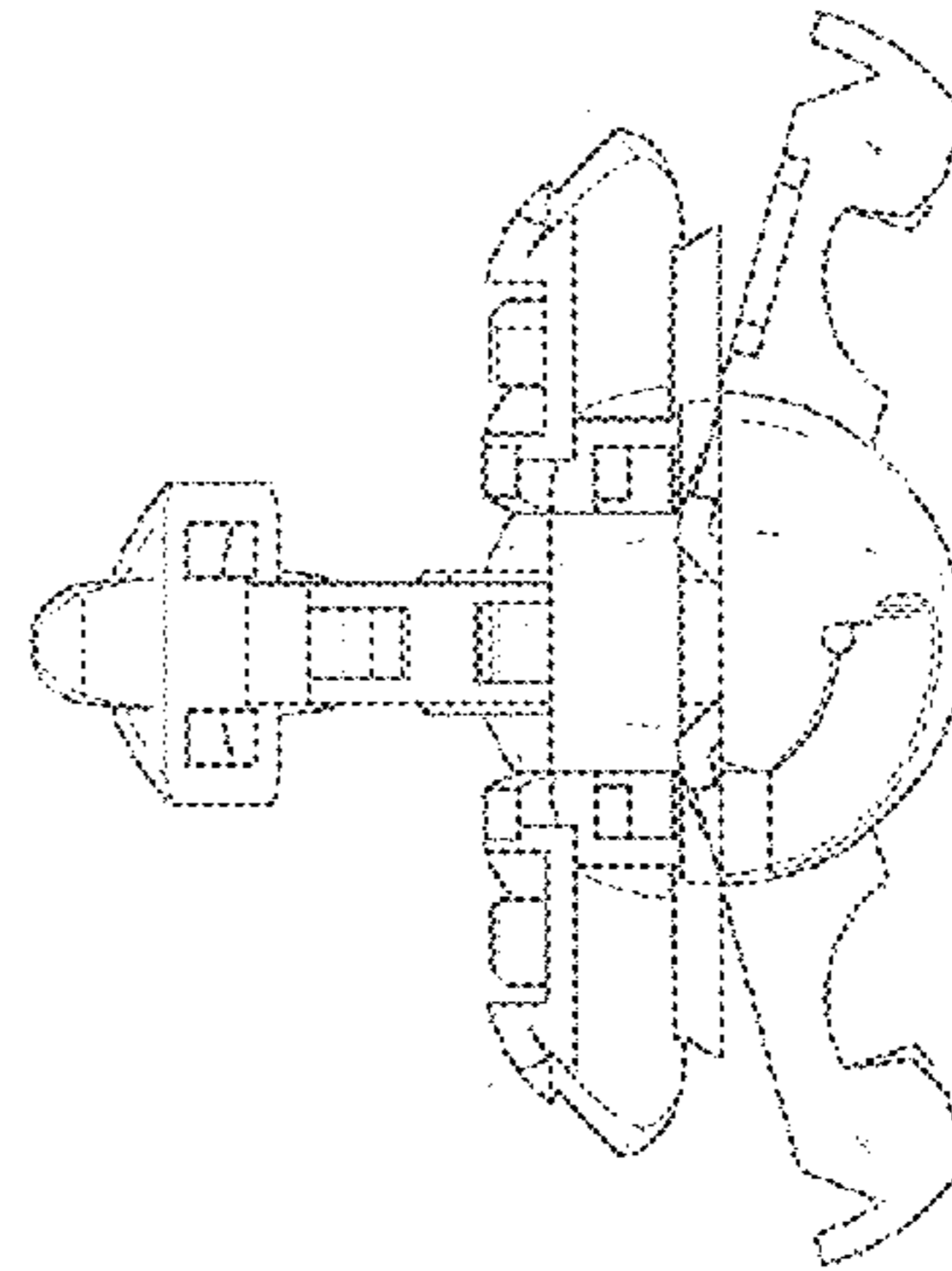


Fig. 34

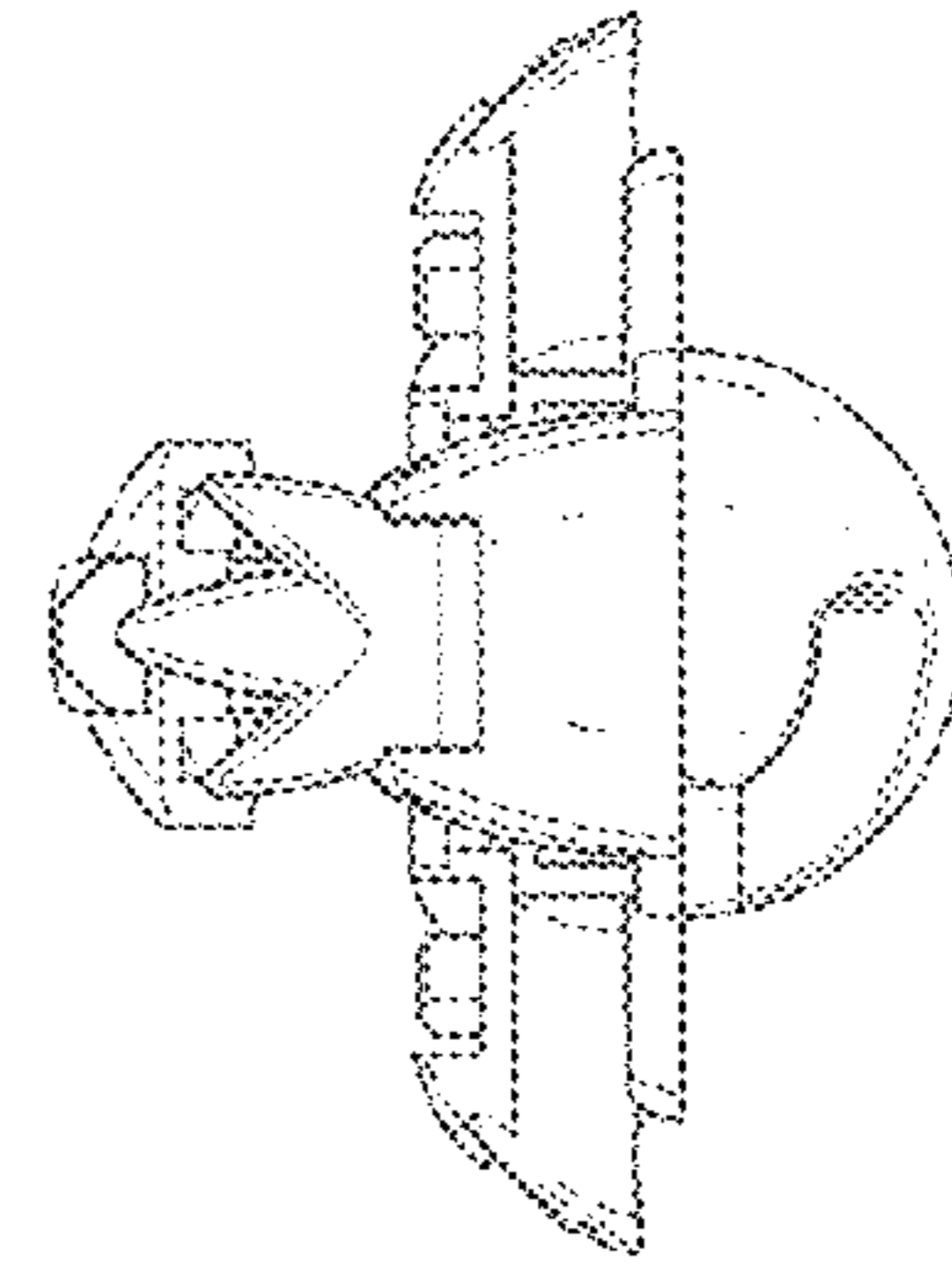


Fig. 35





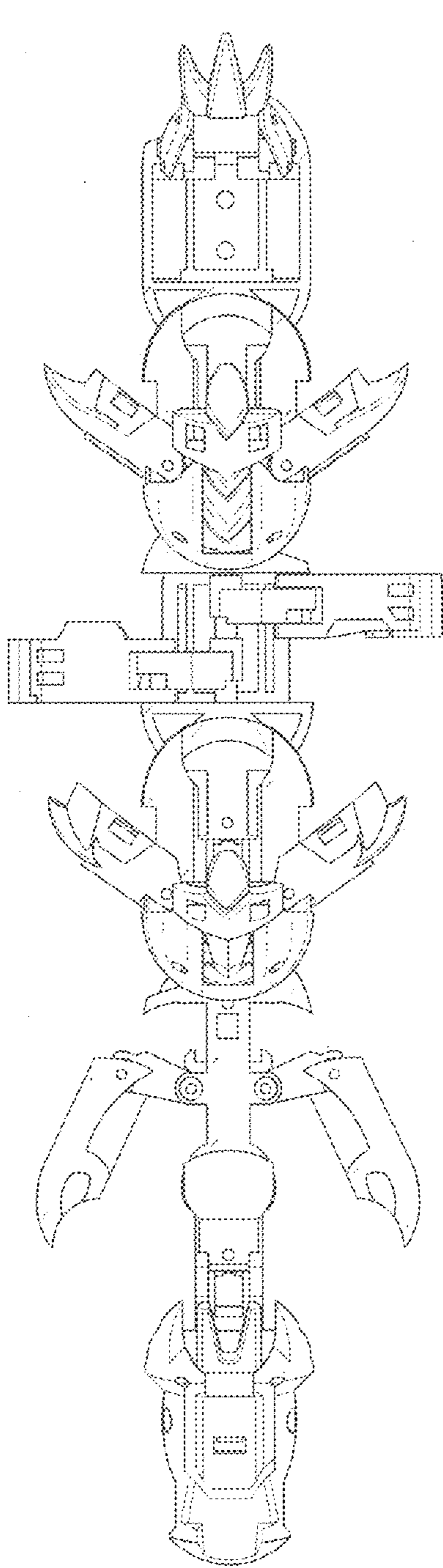


Fig. 38

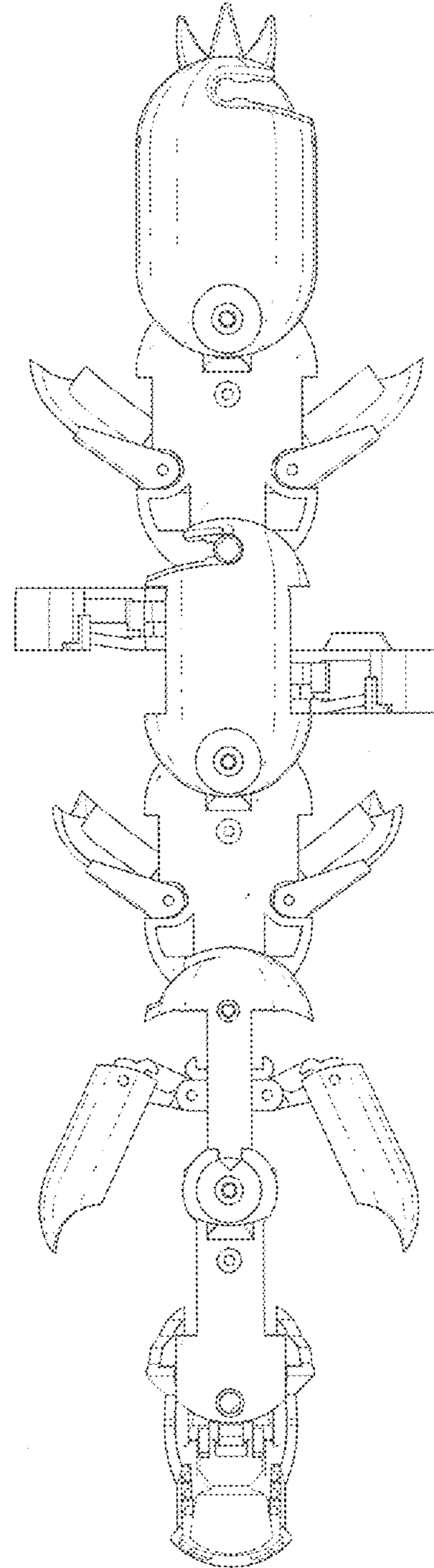


Fig. 39